



US00D432385S

United States Patent [19]

Milani et al.

[11] Patent Number: Des. 432,385

[45] Date of Patent: ** Oct. 24, 2000

[54] APPARATUS FOR SHARPENING DENTAL INSTRUMENTS

4,509,268 4/1985 Marquam et al. 33/201
4,821,462 4/1989 Moore 76/82

[75] Inventors: Francesco Milani, Guibiasco; Britta Pukall, Künsnacht, both of Switzerland

Primary Examiner—Philip S. Hyder
Attorney, Agent, or Firm—Young & Thompson

[73] Assignee: Hawe Neos Dental Dr. H.v. Weissenfluh AG, Boggio, Switzerland

[57] CLAIM

[**] Term: 14 Years

The ornamental design for an apparatus for sharpening dental instruments, as shown and described.

[21] Appl. No.: 29/097,359

DESCRIPTION

[22] Filed: Dec. 4, 1998

[30] Foreign Application Priority Data

Jun. 8, 1998 [XH] Hague Agreement 120603501

[51] LOC (7) Cl. 08-05

[52] U.S. Cl. D8/91

[58] Field of Search D8/90, 91, 92,
D8/93, 62, 63; 451/164; 76/82, 85

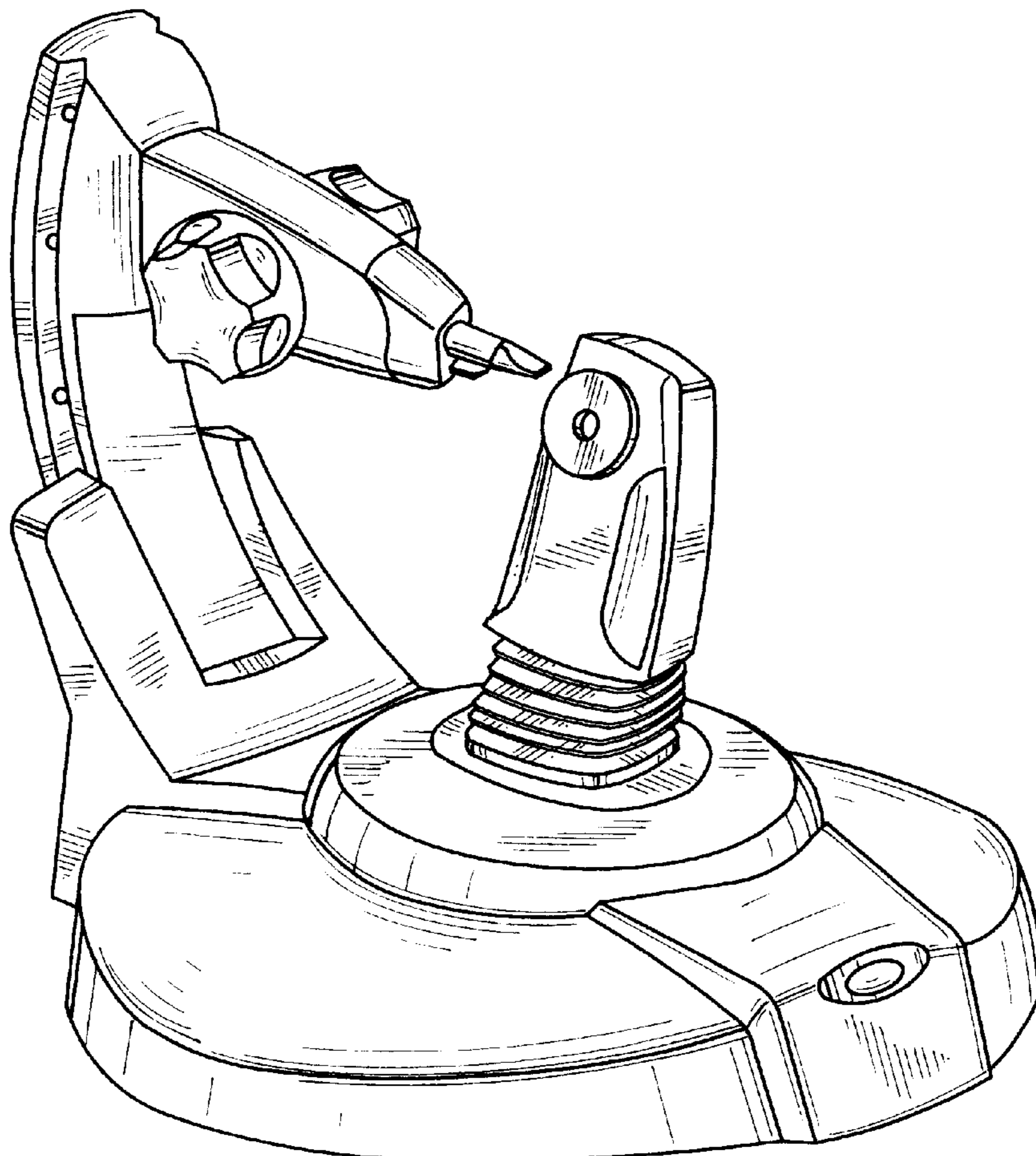
FIG. 1 is a top plan view of an apparatus for sharpening dental instruments, showing the new design; FIG. 2 is a bottom plan view thereof; FIG. 3 is a front elevational view thereof; FIG. 4 is a rear elevational view thereof; FIG. 5 is a left side elevational view thereof; FIG. 6 is a right side elevational view thereof; FIG. 7 is a perspective view thereof; FIG. 8 is a perspective view, showing the arcuate arm and head in an alternate position; FIG. 9 is a perspective view, showing the arcuate arm and head in a second alternate position; and, FIG. 10 is a perspective view, showing the arcuate arm and head in a third alternate position.

[56] References Cited

U.S. PATENT DOCUMENTS

D. 307,471 4/1990 Moore D8/91
2,287,910 6/1942 Slack 451/164
2,578,081 12/1951 Miller et al. 451/164

1 Claim, 5 Drawing Sheets



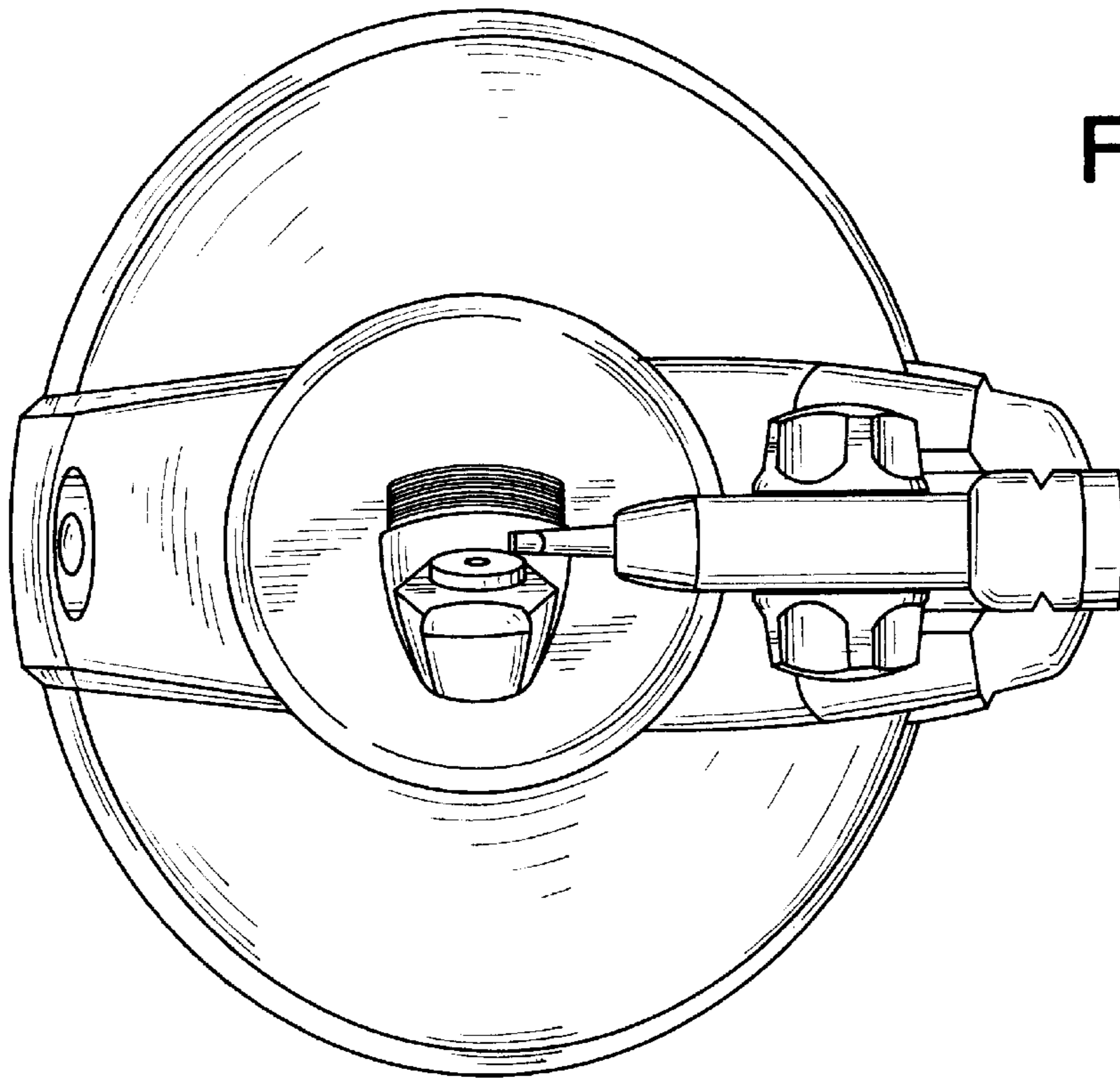


FIG. 1

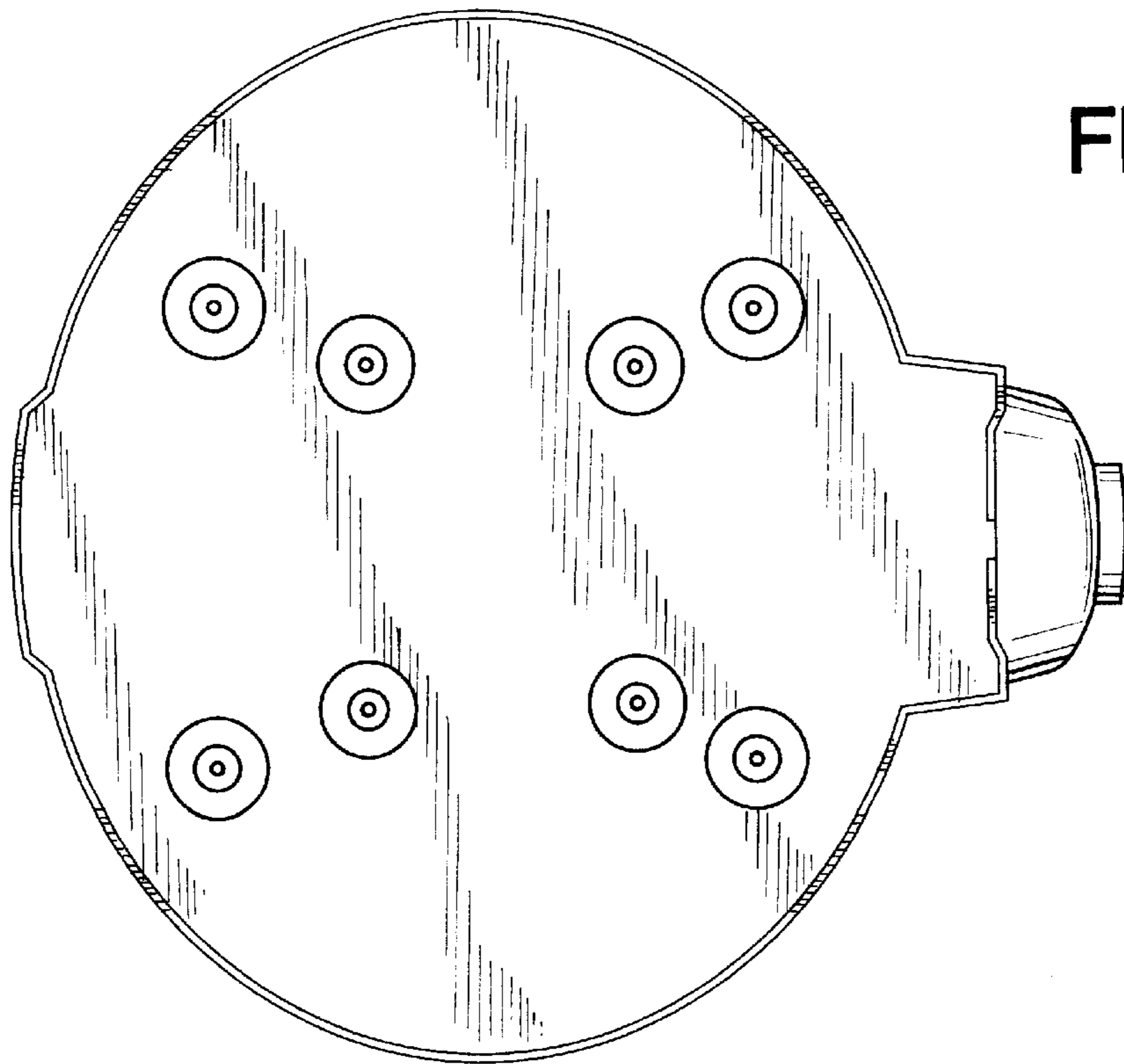


FIG. 2

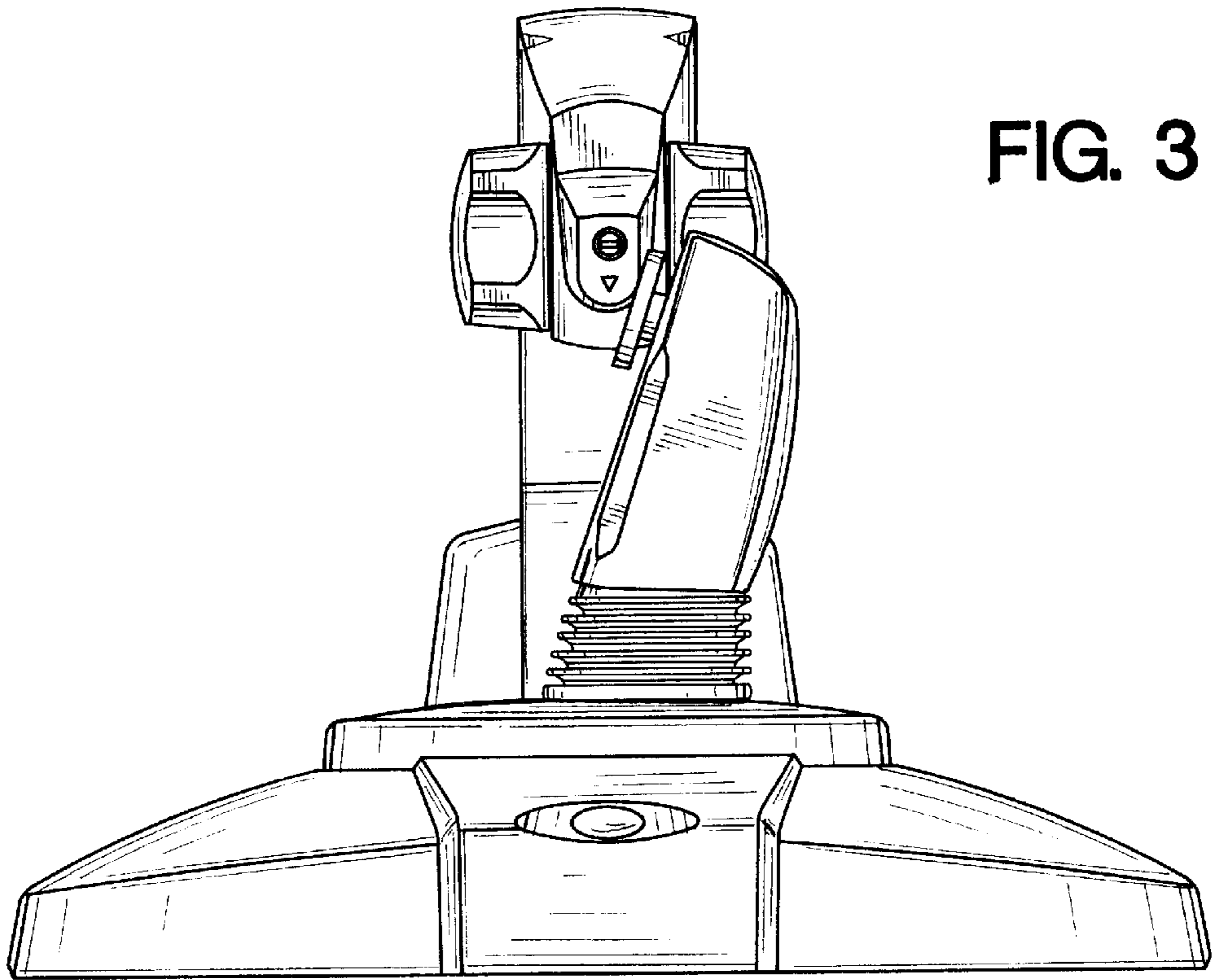


FIG. 3

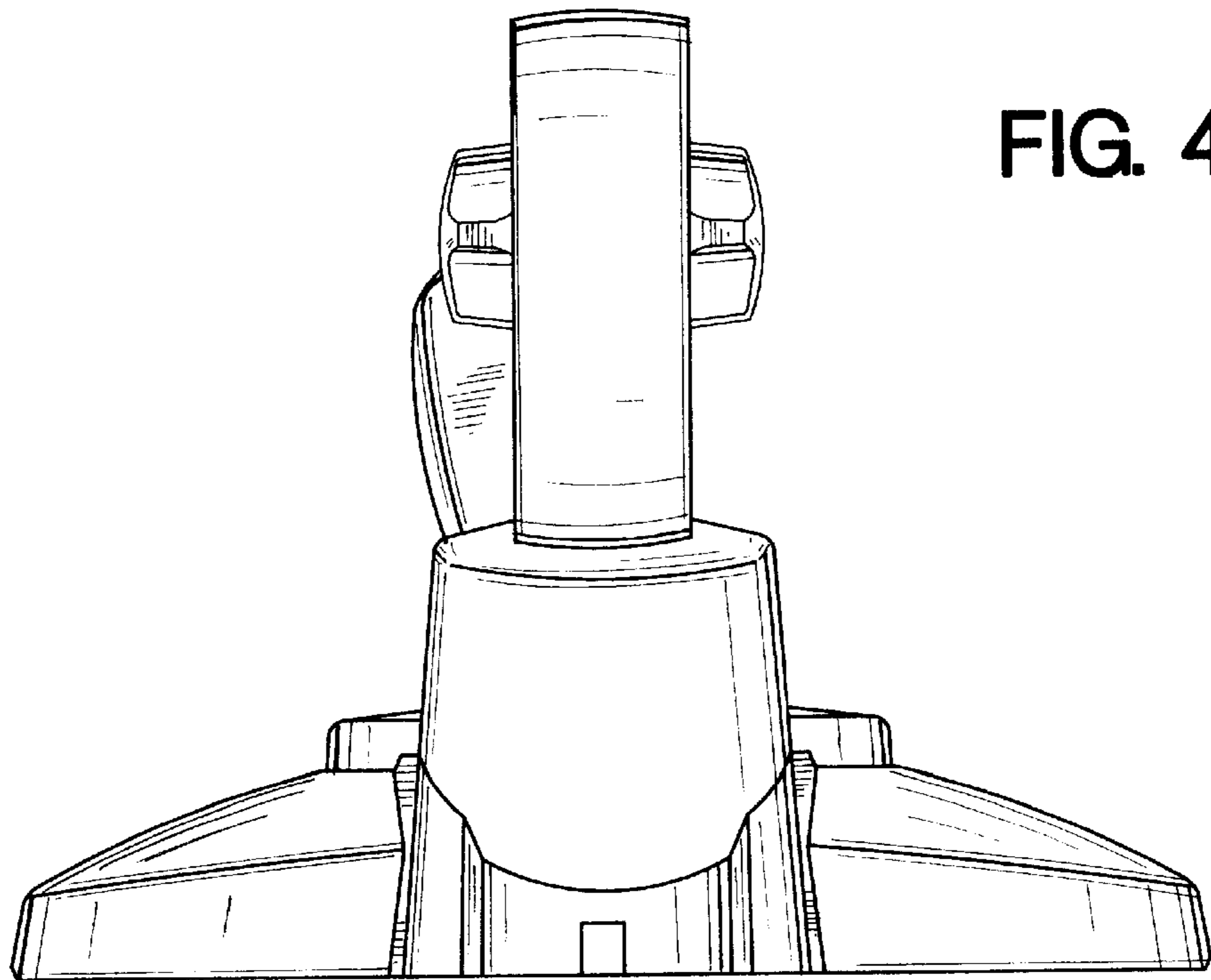


FIG. 4

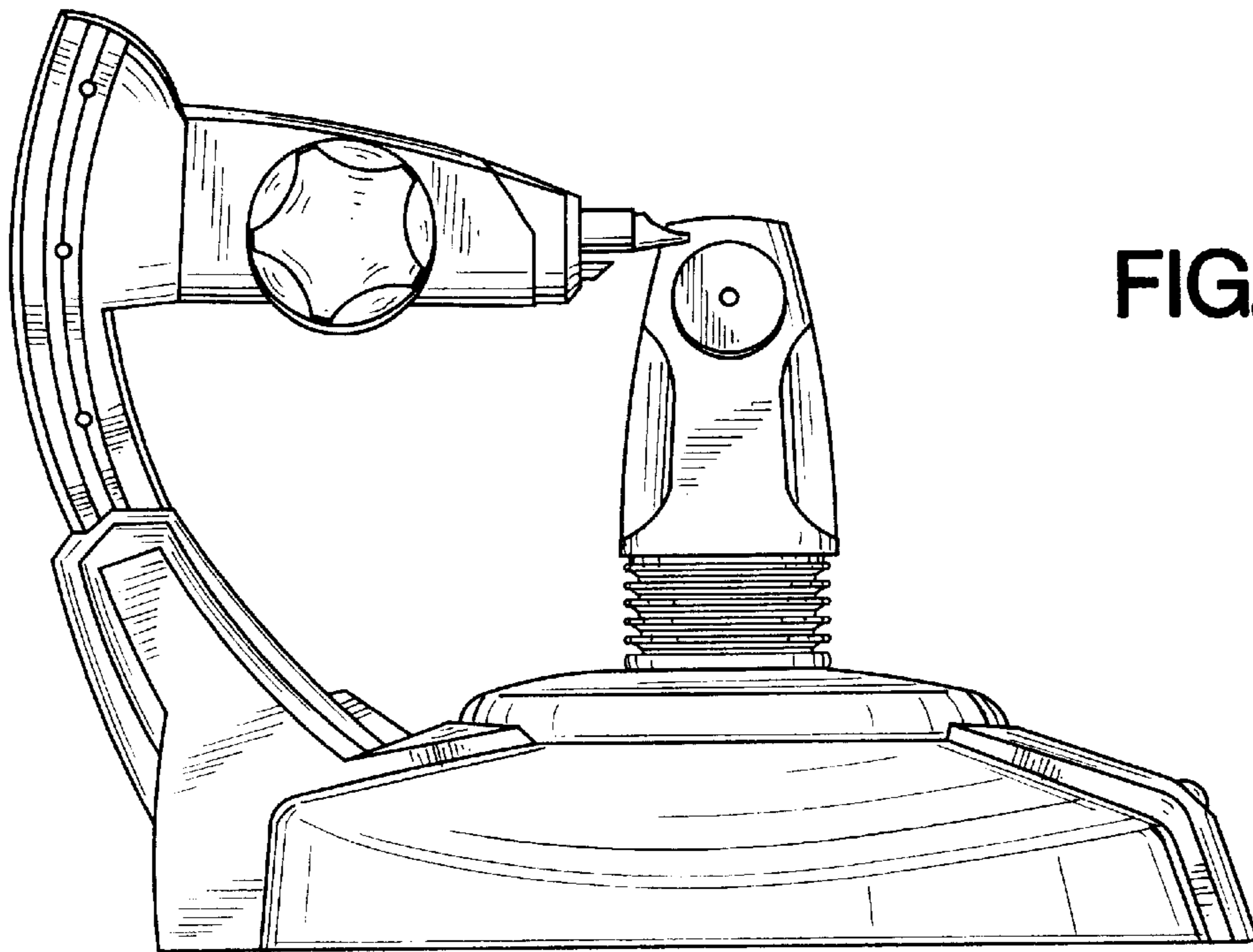


FIG. 5

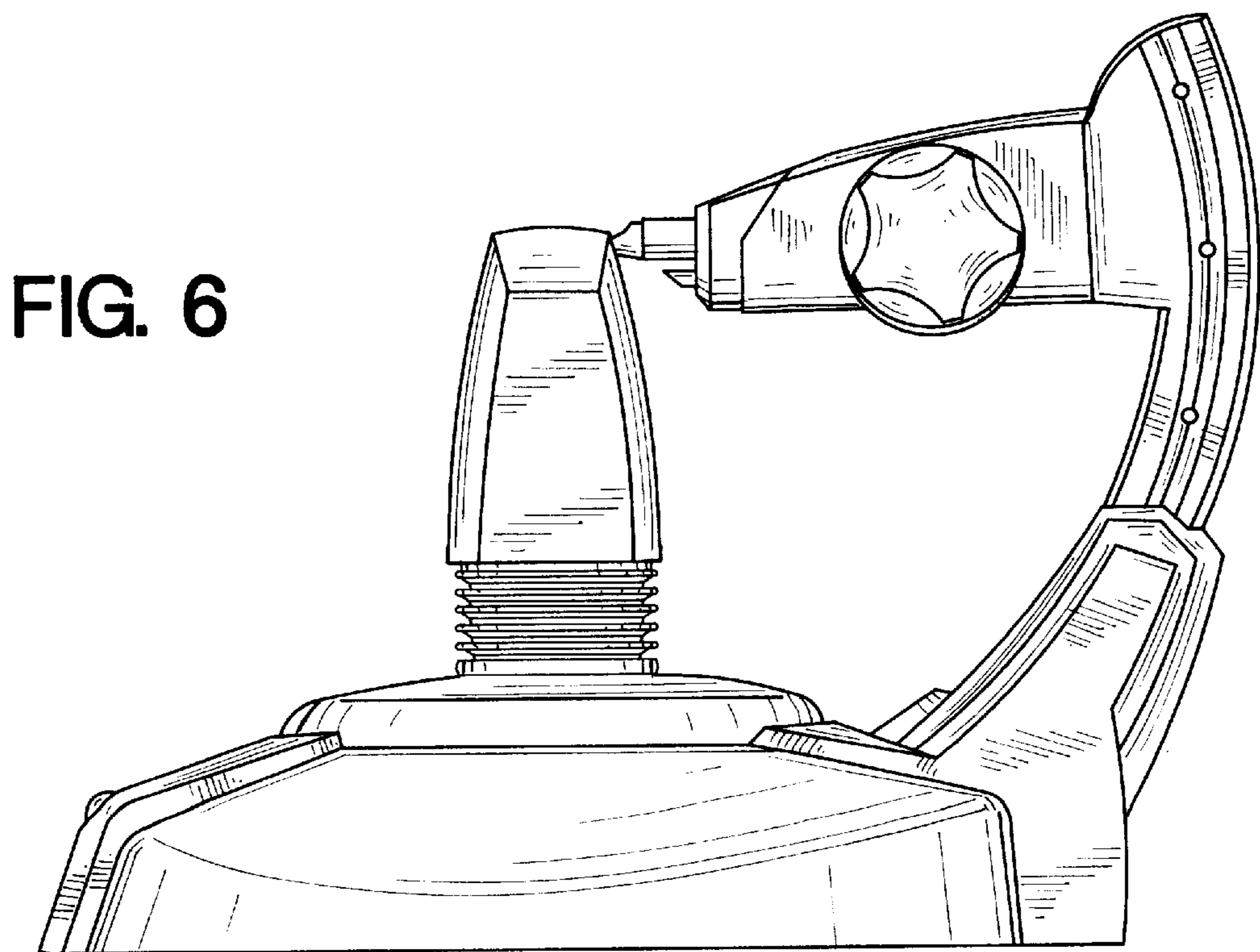


FIG. 6

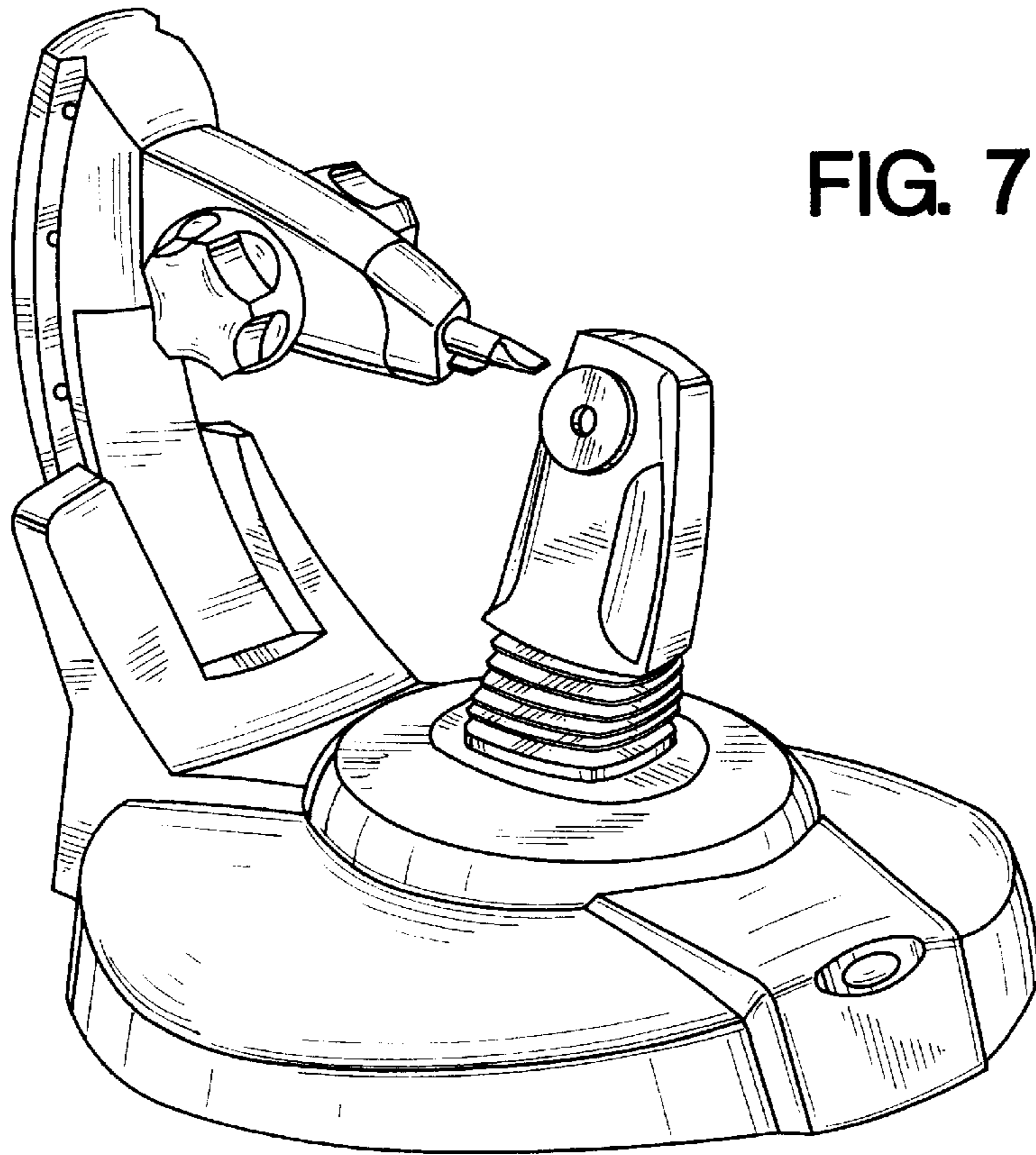


FIG. 7

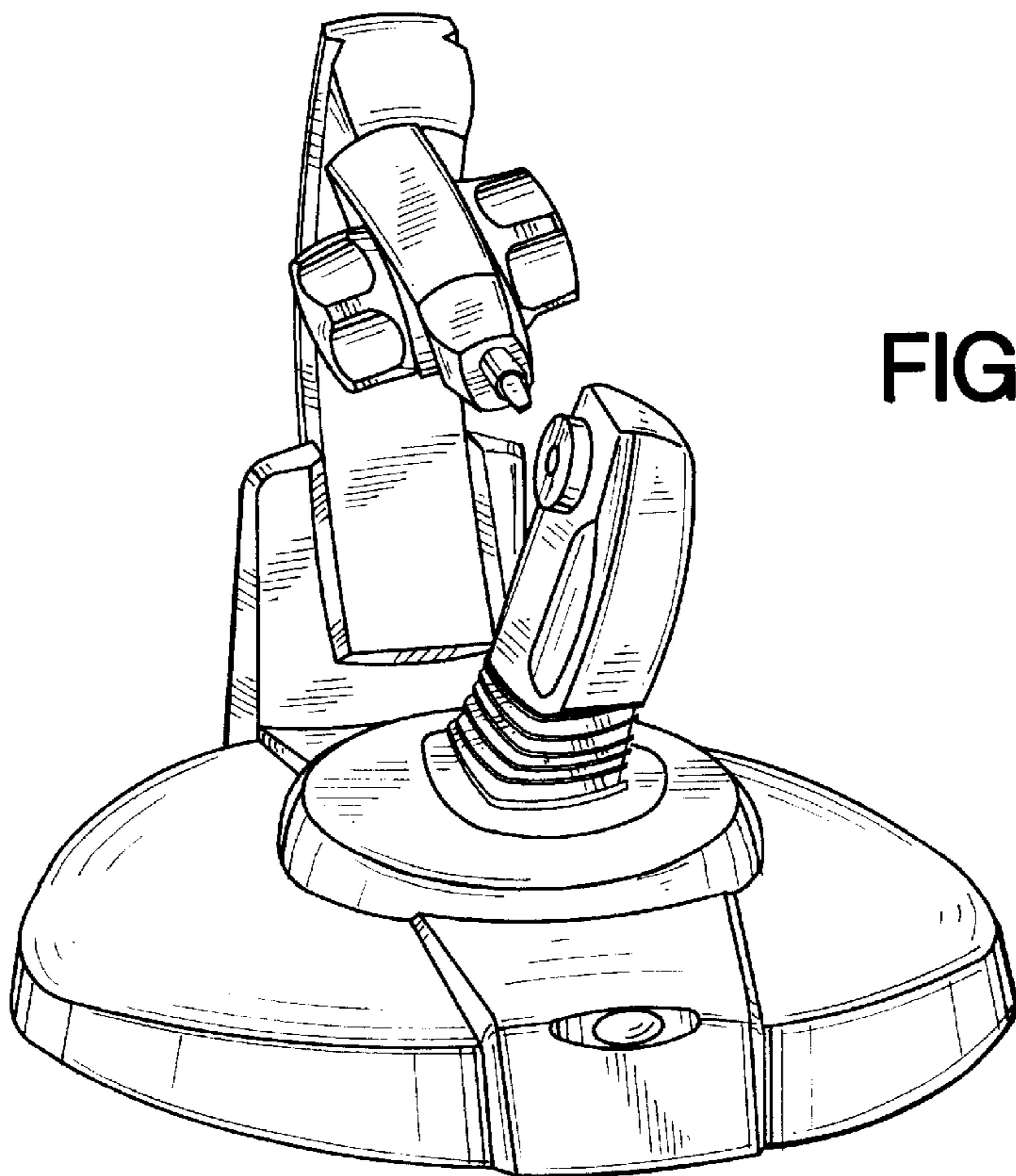


FIG. 8

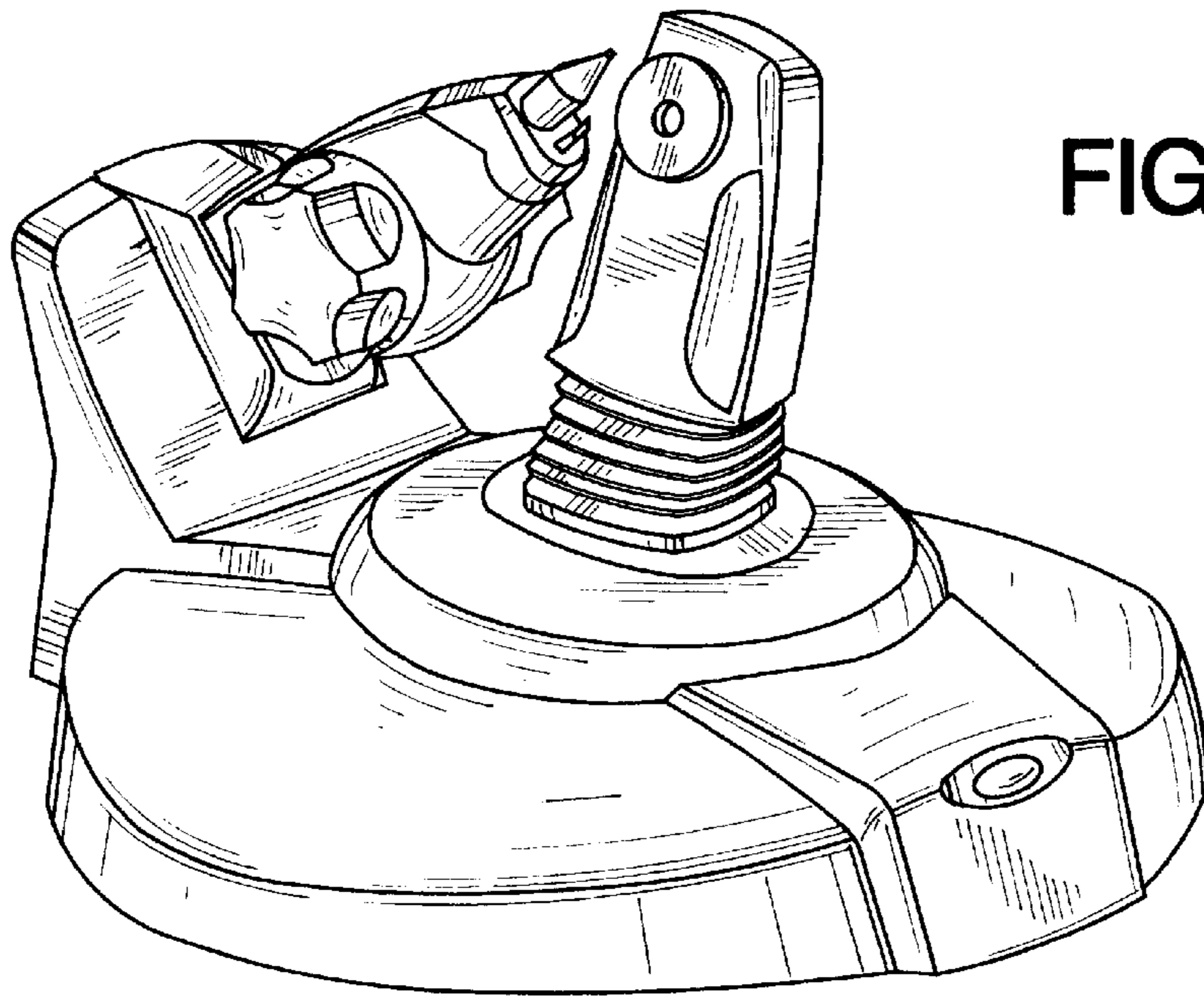


FIG. 9

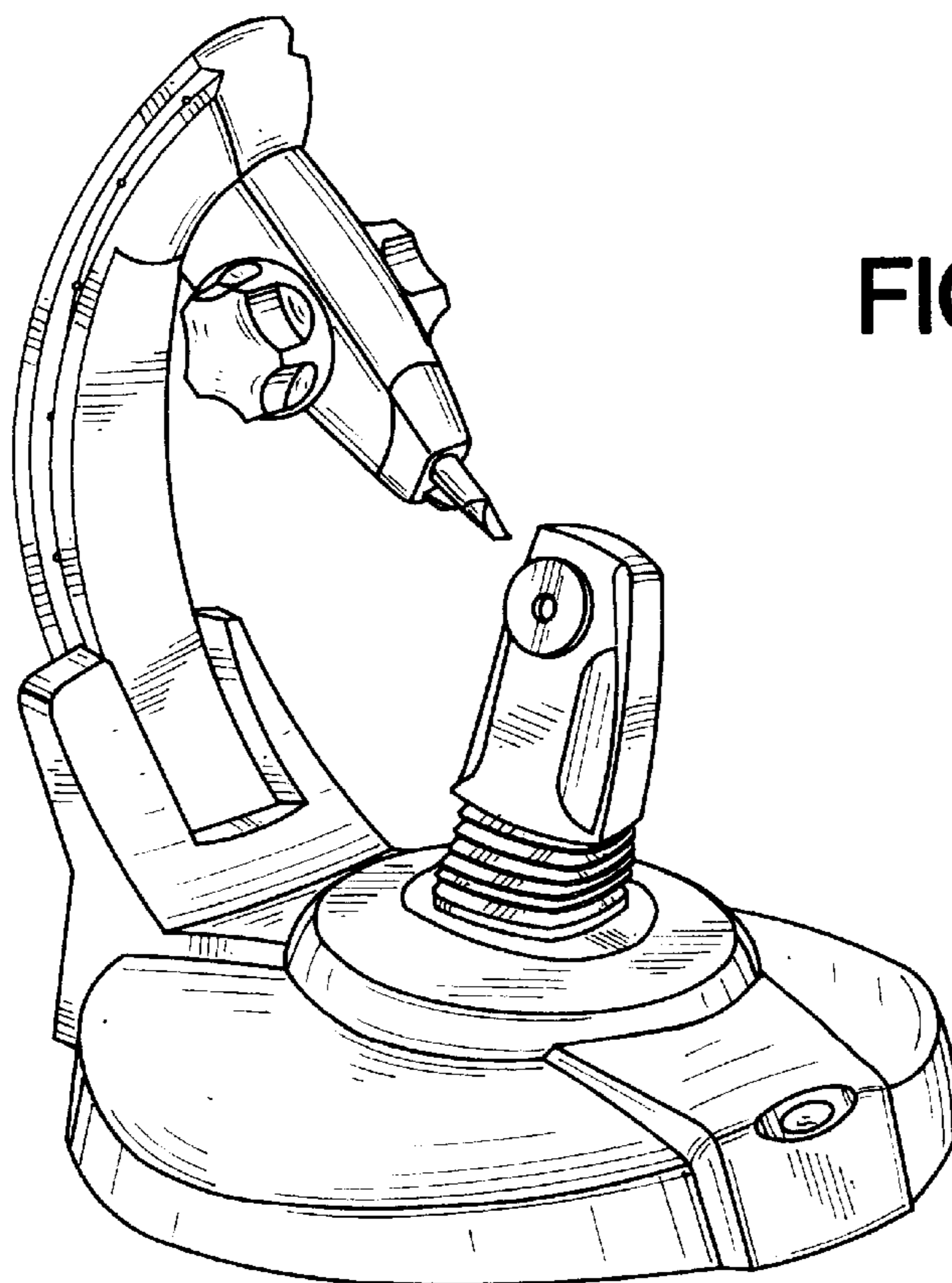


FIG. 10