



US00D432380S

United States Patent [19]

Goble et al.

[11] Patent Number: Des. 432,380

[45] Date of Patent: ** Oct. 24, 2000

[54] HAMMER HEAD

[76] Inventors: **Fred Goble**, 2551 Althea Ave., Mission Viejo, Calif. 92691; **Robert Hart**, 21851 Newland St., #111, Huntington Beach, Calif. 92646

[**] Term: 14 Years

[21] Appl. No.: 29/113,648

[22] Filed: Nov. 9, 1999

[51] LOC (7) Cl. 08-02

[52] U.S. Cl. D8/78; D8/79

[58] Field of Search D8/75, 76, 77, D8/78, 79, 80, 81; 7/143; 81/19, 20, 21, 22, 23, 24, 25, 26

[56] **References Cited**

U.S. PATENT DOCUMENTS

D. 185,948	8/1959	Schmidt	D8/75
D. 201,538	6/1965	Willis	D8/75
D. 288,406	2/1987	Santos	D8/78
D. 325,863	5/1992	Chen	D8/75

D. 353,758	12/1994	Frykman	D8/78
D. 398,505	9/1998	Gossage	D8/79
D. 416,462	11/1999	Pringle et al.	D8/75
5,213,023	5/1993	Floyd	81/20
5,768,956	6/1998	Coonrad	81/20
5,802,933	9/1998	Herbert et al.	81/20

Primary Examiner—Philip S. Hyder

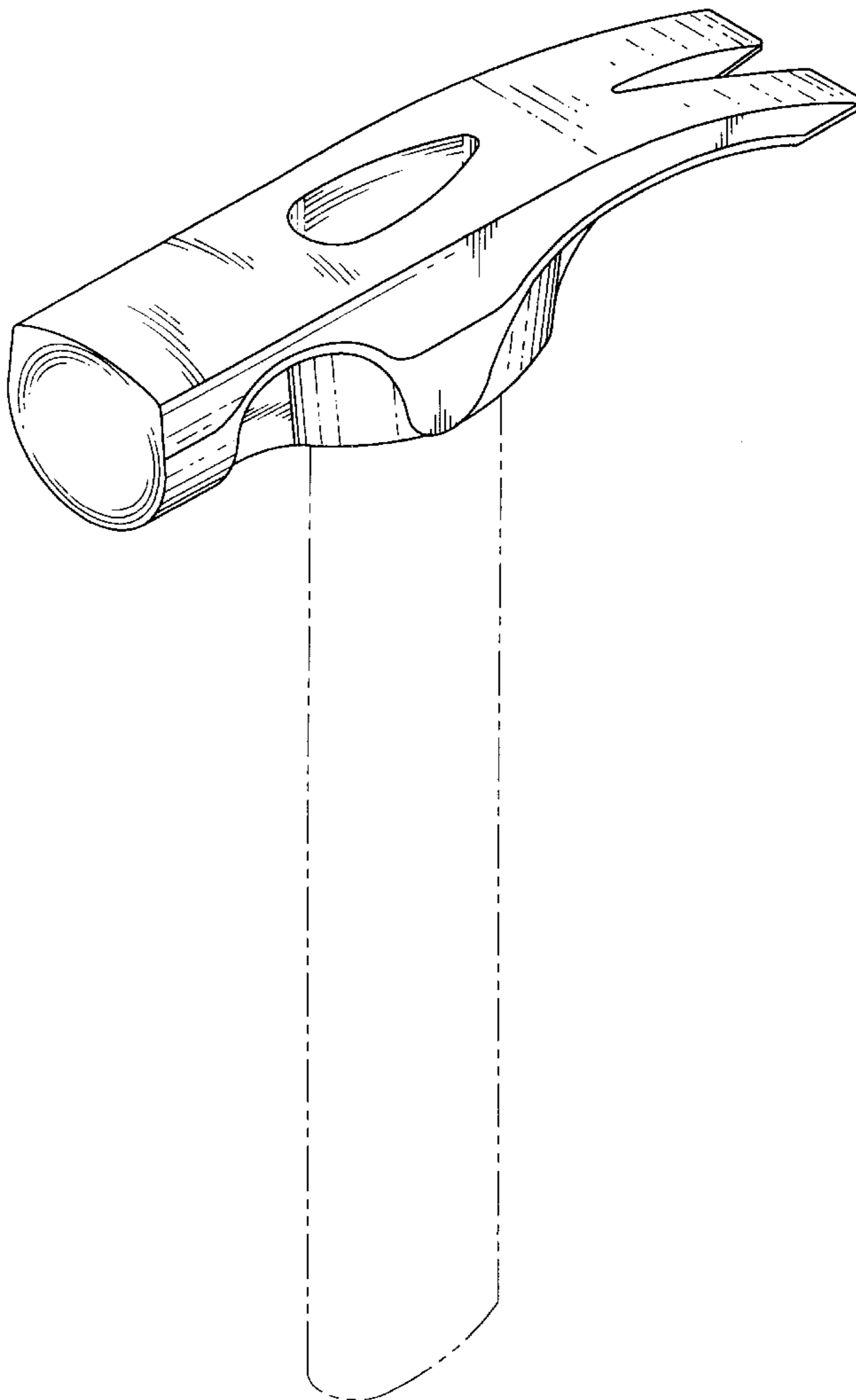
[57] **CLAIM**

The ornamental design for a hammer head, as shown and described.

DESCRIPTION

FIG. 1 is a top view.
FIG. 2 is a left side view, the right side view being a mirror image thereof.
FIG. 3 is a bottom view.
FIG. 4 is a front view.
FIG. 5 is a rear view; and,
FIG. 6 is a front perspective view, wherein the broken line showing of the handle is for illustrative purposes only and forms no part of the claimed design.

1 Claim, 2 Drawing Sheets



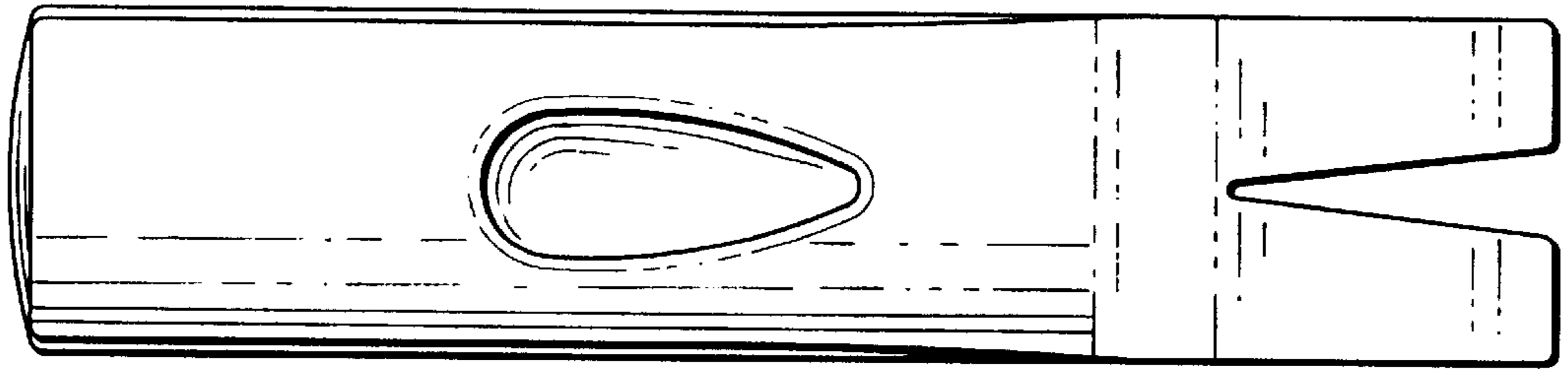


FIG. 1

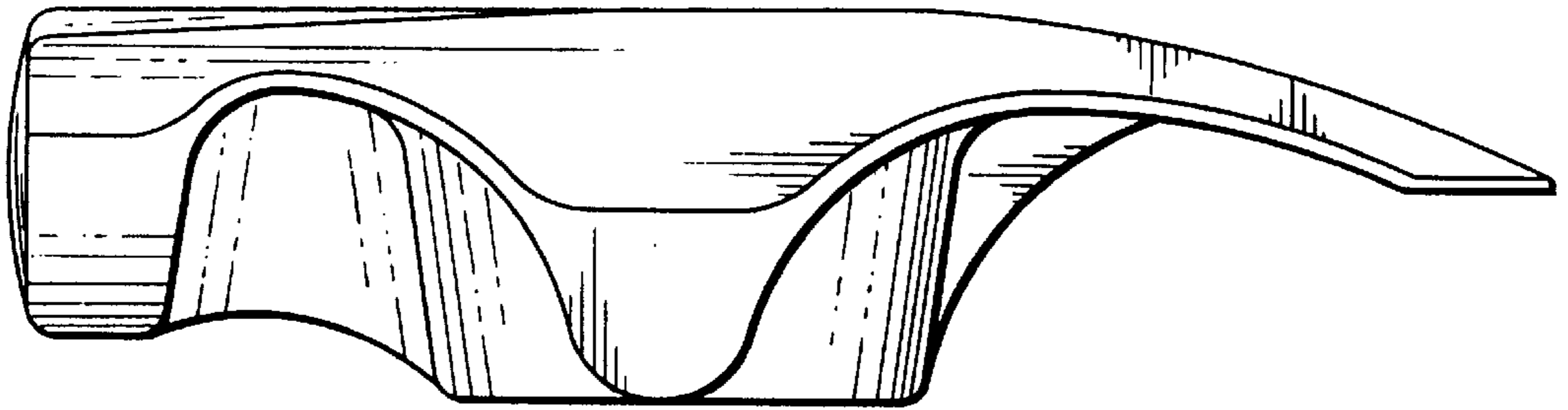


FIG. 2

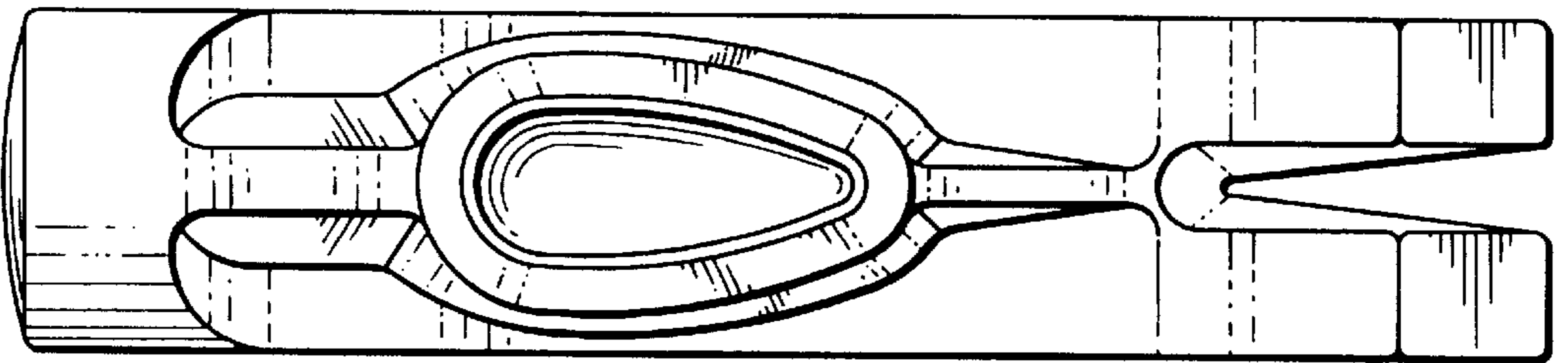


FIG. 3

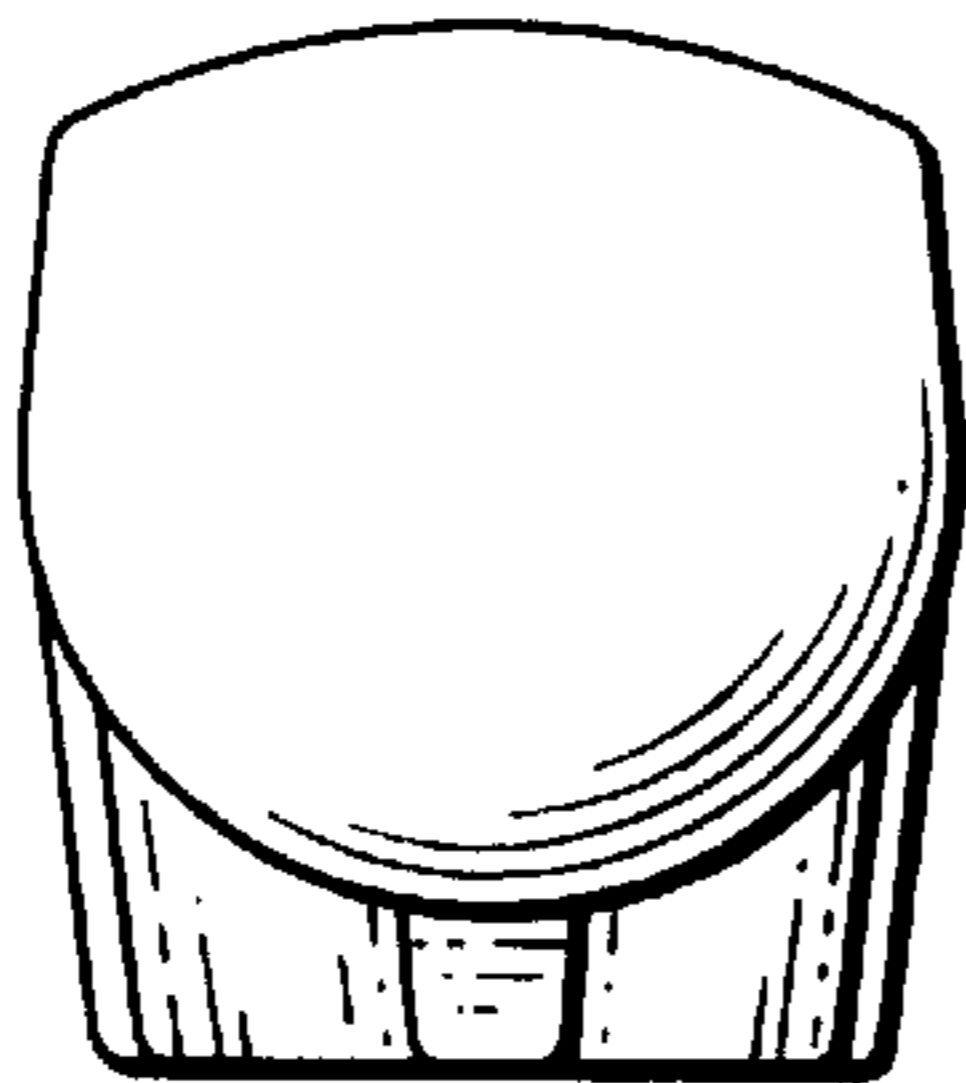


FIG. 4

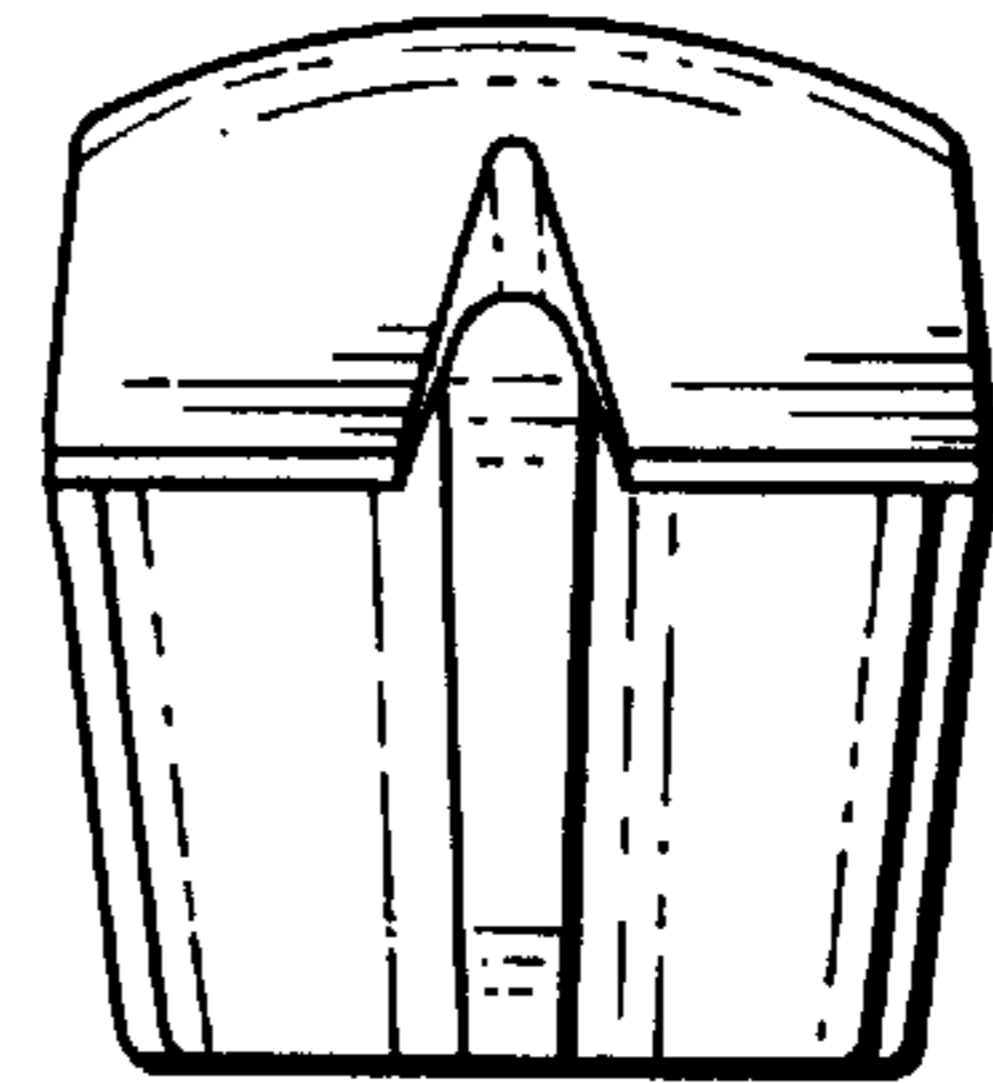


FIG. 5

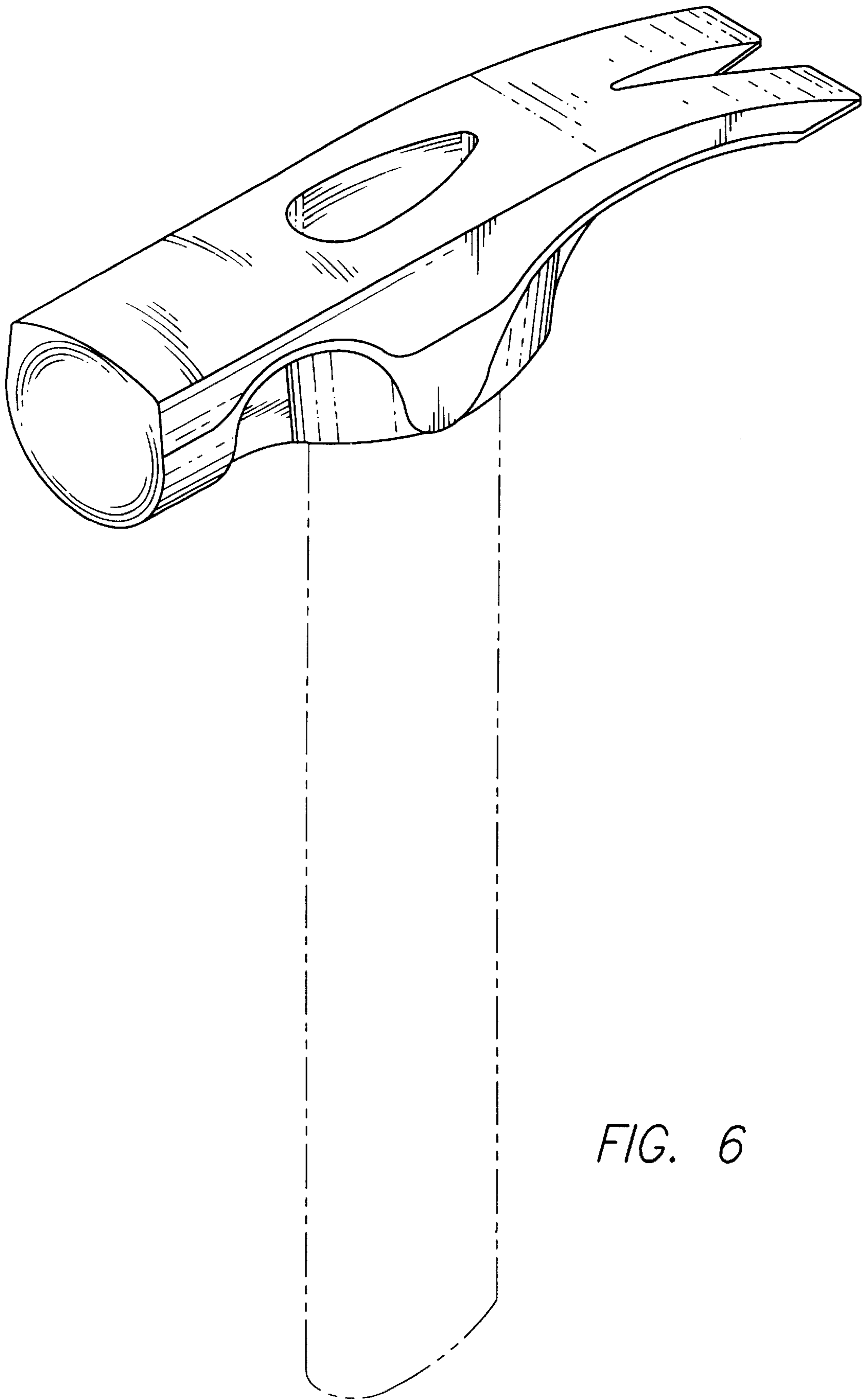


FIG. 6