



US00D432379S

United States Patent [19]
Sun

[11] **Patent Number: Des. 432,379**

[45] **Date of Patent: ** Oct. 24, 2000**

[54] **HANDLE OF PNEUMATIC TOOL**

[76] Inventor: **Yung-Yung Sun**, P.O. Box 2103,
Taichung, Taiwan

[**] Term: **14 Years**

[21] Appl. No.: **29/110,977**

[22] Filed: **Sep. 20, 1999**

[51] **LOC (7) Cl. 08-05**

[52] **U.S. Cl. D8/70; D8/61**

[58] **Field of Search** D15/140; D8/61,
D8/62, 68, 70, 83, 94, 97, 107, 303, DIG. 7;
81/52, 54, 55, 57, 57.13, 57.26-57.29,
57.39, 177.1, 177.8, 177.9, 177.85, 463,
464, 470, 489; 418/150, 15, 86, 904, 152;
173/90-93, 104, 128, 178, 213; 403/83,
84; 477/174

[56] **References Cited**

U.S. PATENT DOCUMENTS

D. 168,215 11/1952 Doeden D8/61

D. 300,313 3/1989 Izumisawa D8/68
D. 347,372 5/1994 Ghode et al. D8/61
D. 404,629 1/1999 Cooper D8/70
D. 408,243 4/1999 Izumisawa D8/61
5,017,109 5/1991 Albert et al. 418/152
5,383,771 1/1995 Ghoda 418/15

Primary Examiner—Martie K. Holtje

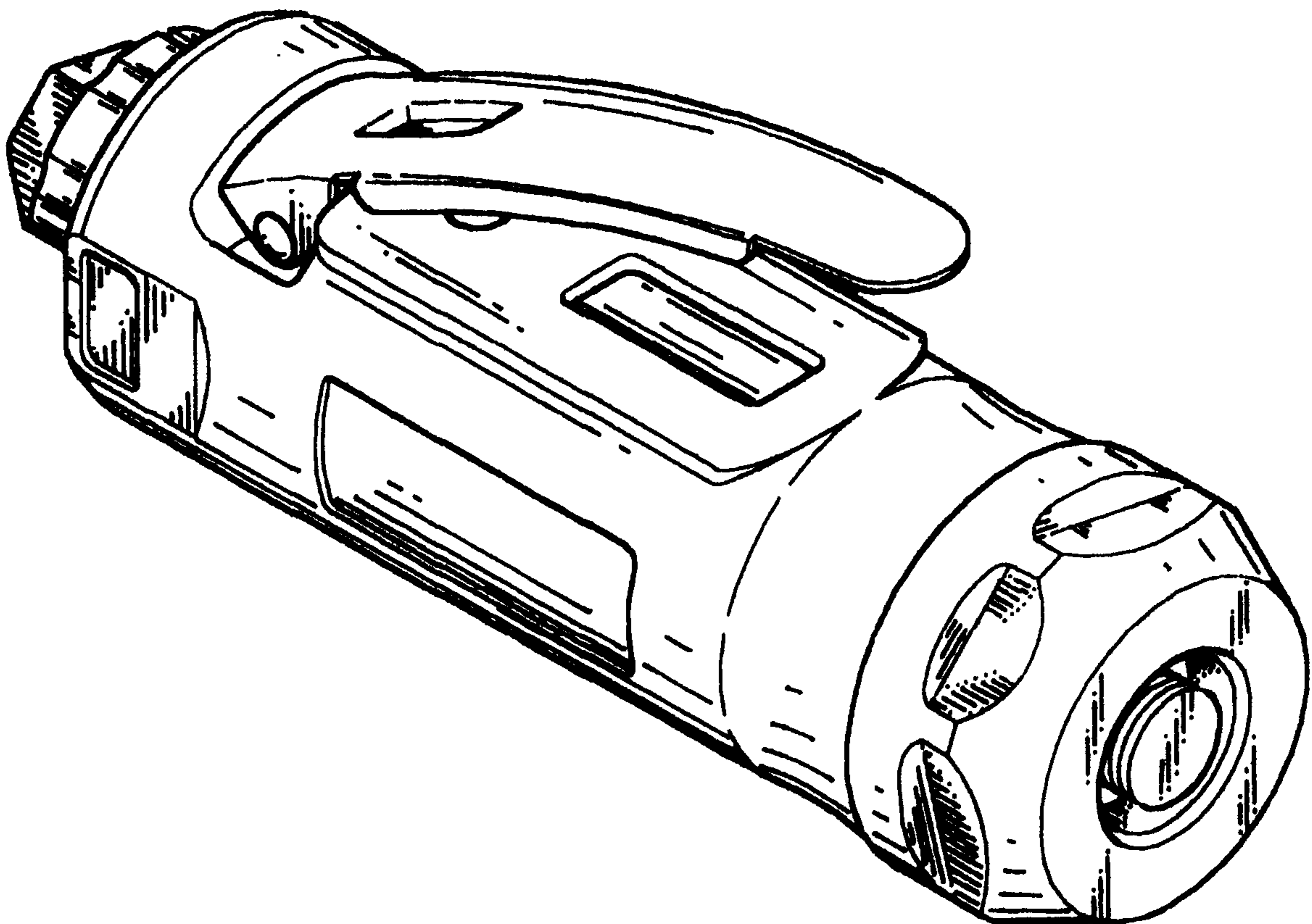
[57] **CLAIM**

The ornamental design for handle of pneumatic tool, as shown and as described.

DESCRIPTION

FIG. 1 is a perspective view of handle of pneumatic tool showing my invention;
FIG. 2 is a front view thereof;
FIG. 3 is a rear view thereof;
FIG. 4 is a left side view thereof;
FIG. 5 is a right side view thereof;
FIG. 6 is a top view thereof; and,
FIG. 7 is a bottom view thereof.

1 Claim, 4 Drawing Sheets



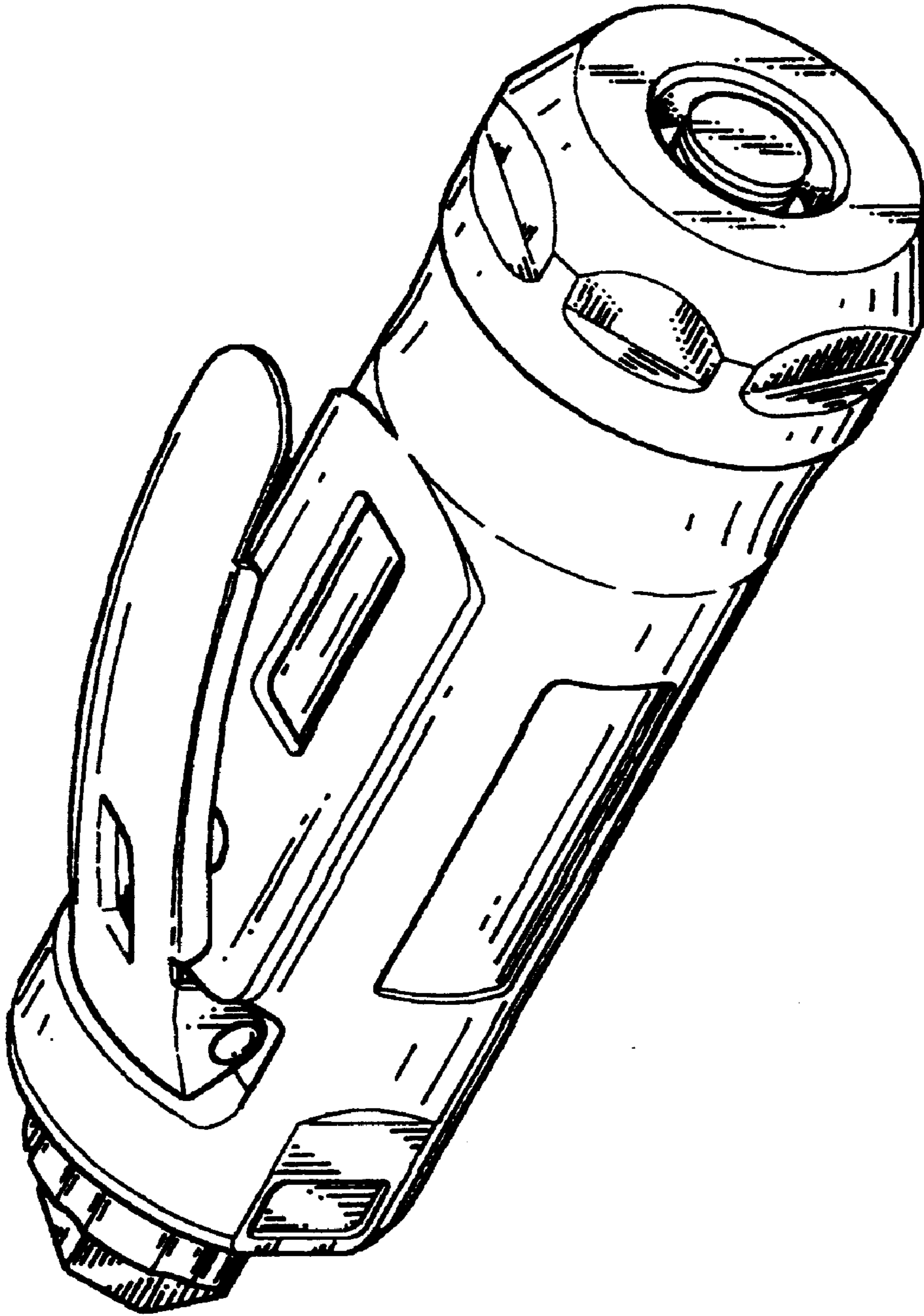


FIG. 1

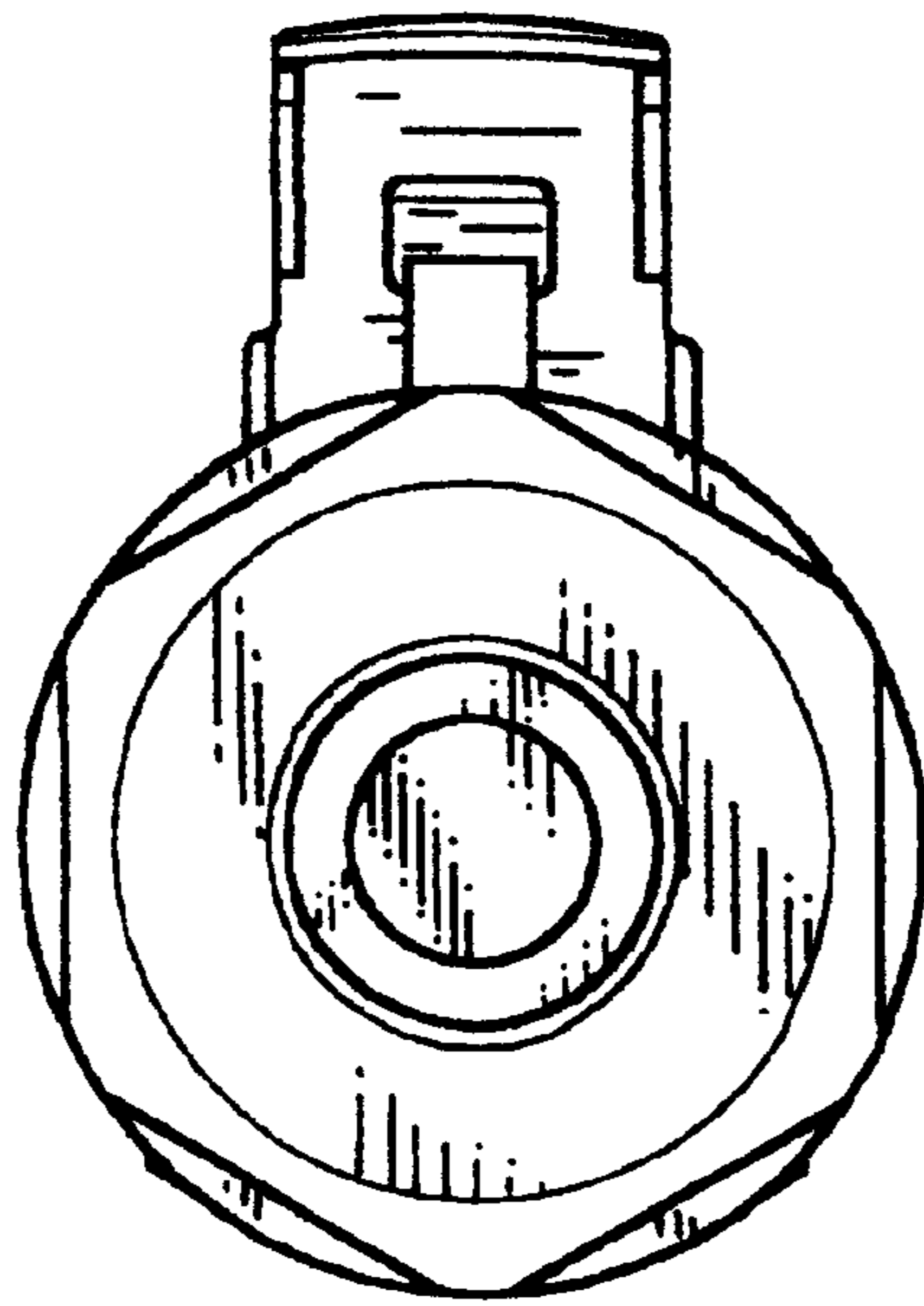


FIG. 2

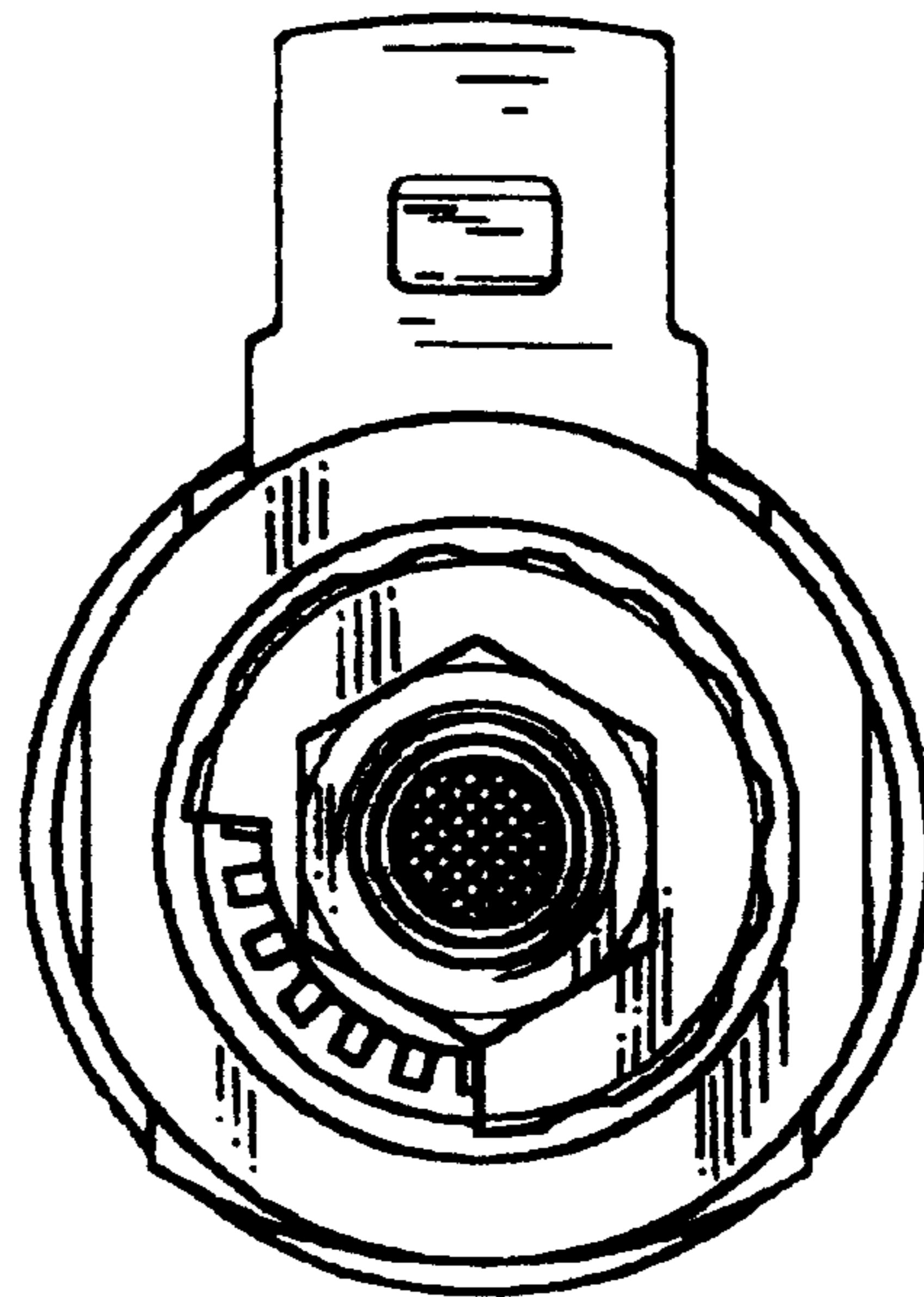


FIG. 3

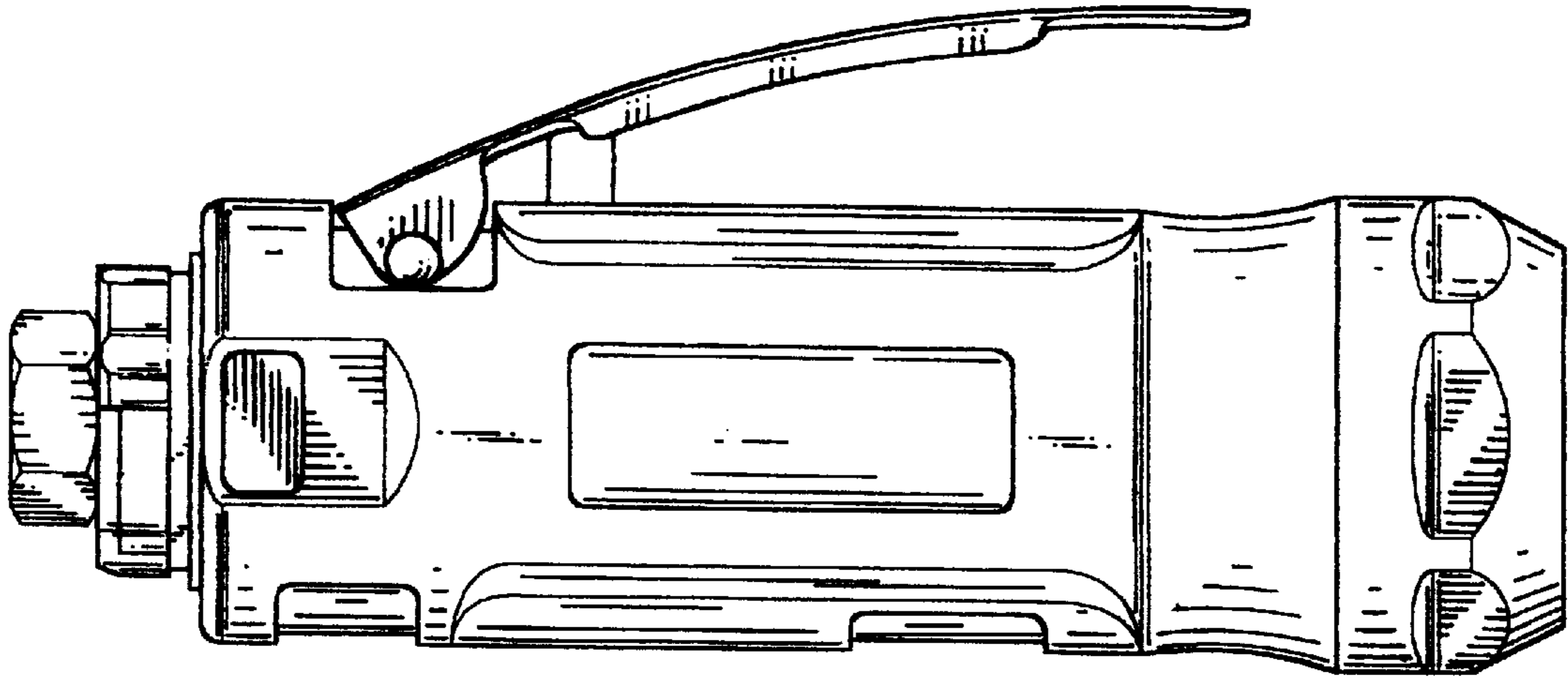


FIG. 4

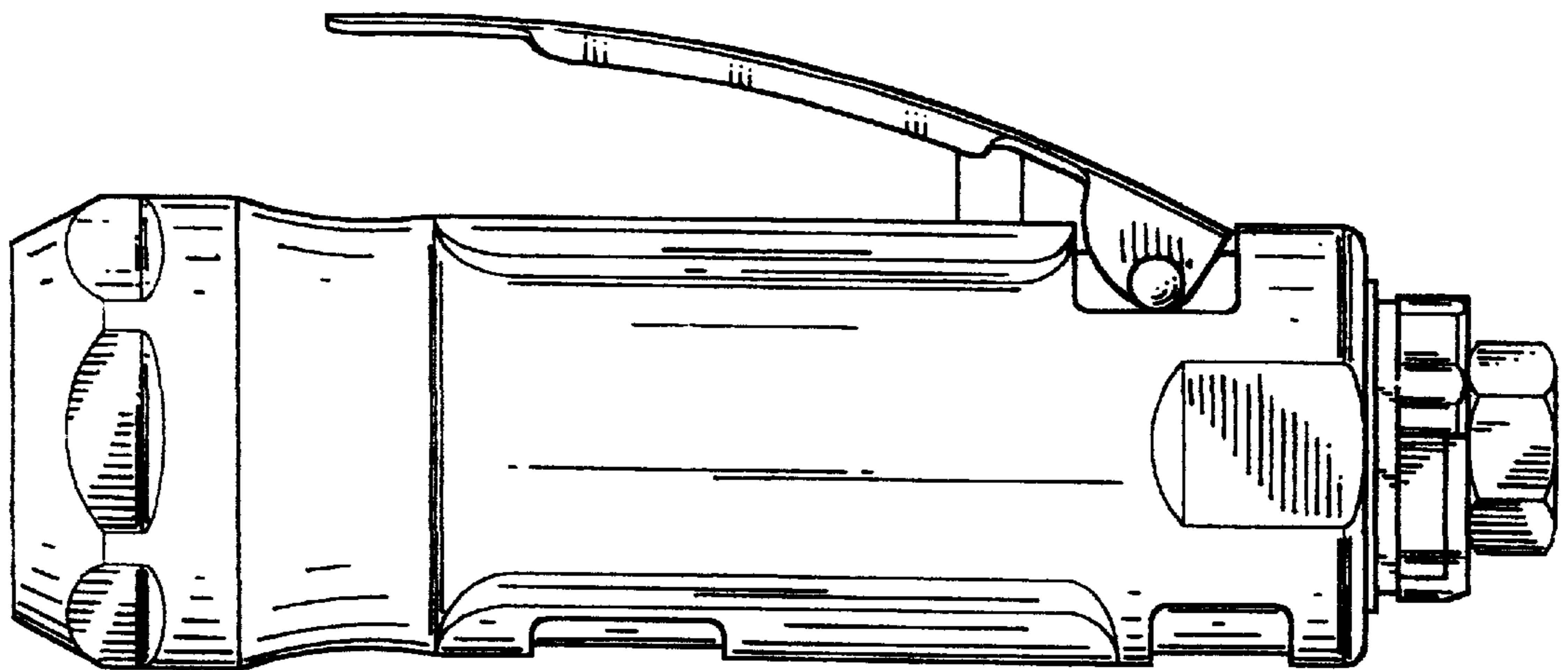


FIG. 5

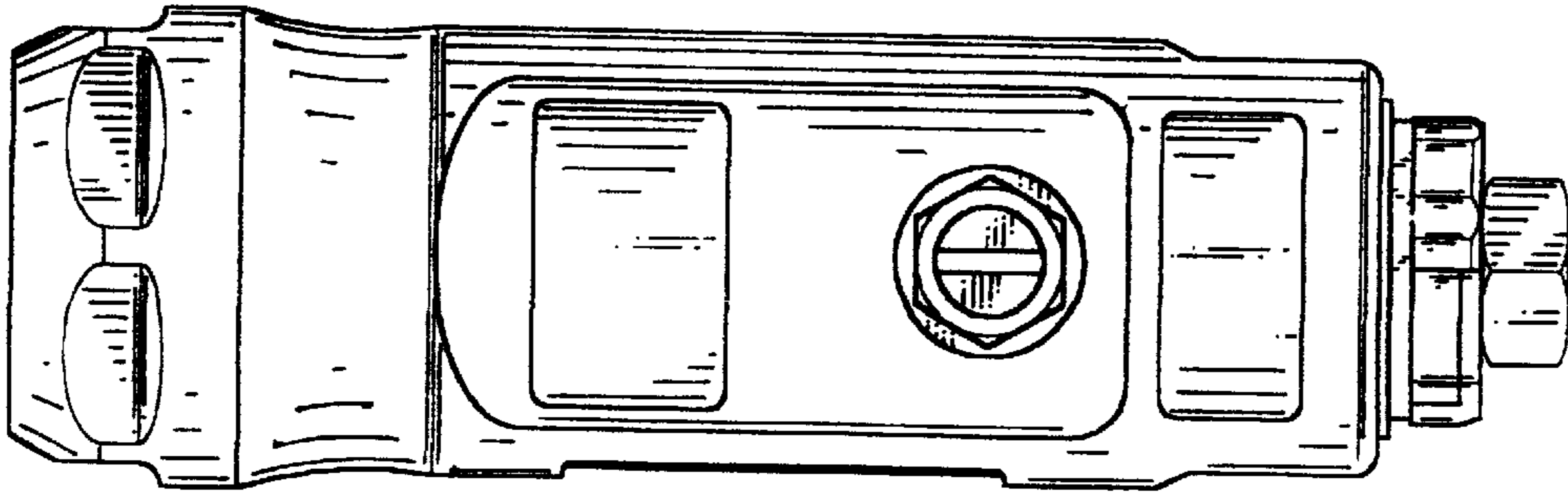


FIG. 7

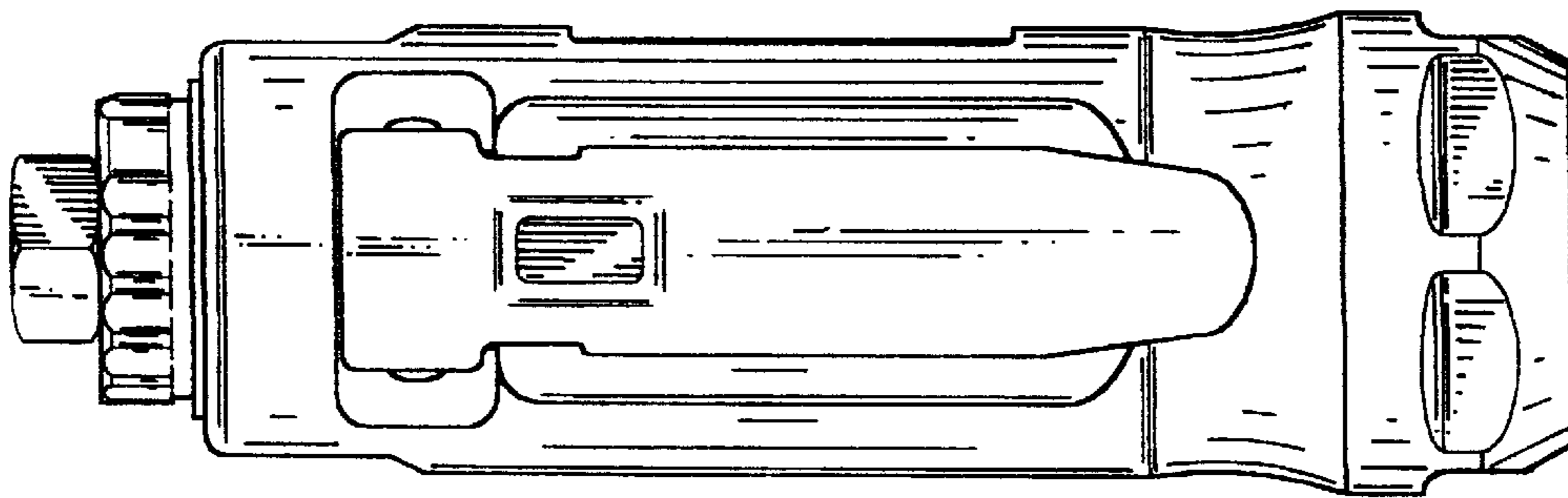


FIG. 6