



US00D432376S

United States Patent [19]

Sutter et al.

[11] Patent Number: Des. 432,376

[45] Date of Patent: ** Oct. 24, 2000

[54] CHAMPAGNE OPENER

[76] Inventors: **Glynis V. Sutter**, 15151 N. Frank
Lloyd Wright Blvd. #2080, Scottsdale,
Ariz. 85260; **Mark E. Squire**, 29425
N. 49th St., Cave Creek, Ariz. 85331

[**] Term: 14 Years

[21] Appl. No.: 29/119,950

[22] Filed: Mar. 10, 2000

[51] LOC (7) Cl. 07-99

[52] U.S. Cl. D8/38; D8/18

[58] Field of Search D8/33-43, 18,
D8/19; 30/400-443; 81/3.07-3.49; 7/151-156;
D3/211

[56] **References Cited**

U.S. PATENT DOCUMENTS

D. 046,468	9/1914	Falconer	D3/211	X
D. 124,430	12/1940	Vesce	D8/38	
D. 172,834	8/1954	Kaufman	D8/38	
D. 178,483	8/1956	Bacon	D3/211	
D. 276,787	12/1984	Burns	D8/18	
D. 341,251	11/1993	Bensman et al.	D3/211	
D. 362,604	9/1995	White et al.	D8/19	X
D. 395,384	6/1998	Farfalli	D8/38	
D. 406,025	2/1999	Hung	D8/38	
583,561	6/1897	Williamson	81/3.35	
657,421	9/1900	Jorres	81/3.35	
2,016,513	10/1935	Pollock	81/3.35	

2,070,212	2/1937	Minden	81/3.55
4,287,794	9/1981	Kubach et al.	..	
4,479,406	10/1984	Shoemaker, III	..	
4,519,277	5/1985	Raab	81/3.55
4,520,696	6/1985	Wolze	..	
4,875,394	10/1989	Crudgington, Jr.	..	
5,911,794	6/1999	Nordhoff	81/3.55

Primary Examiner—Jeffrey Asch
Attorney, Agent, or Firm—Henderson & Sturm LLP

[57] **CLAIM**

The ornamental design for a champagne opener, as shown and described.

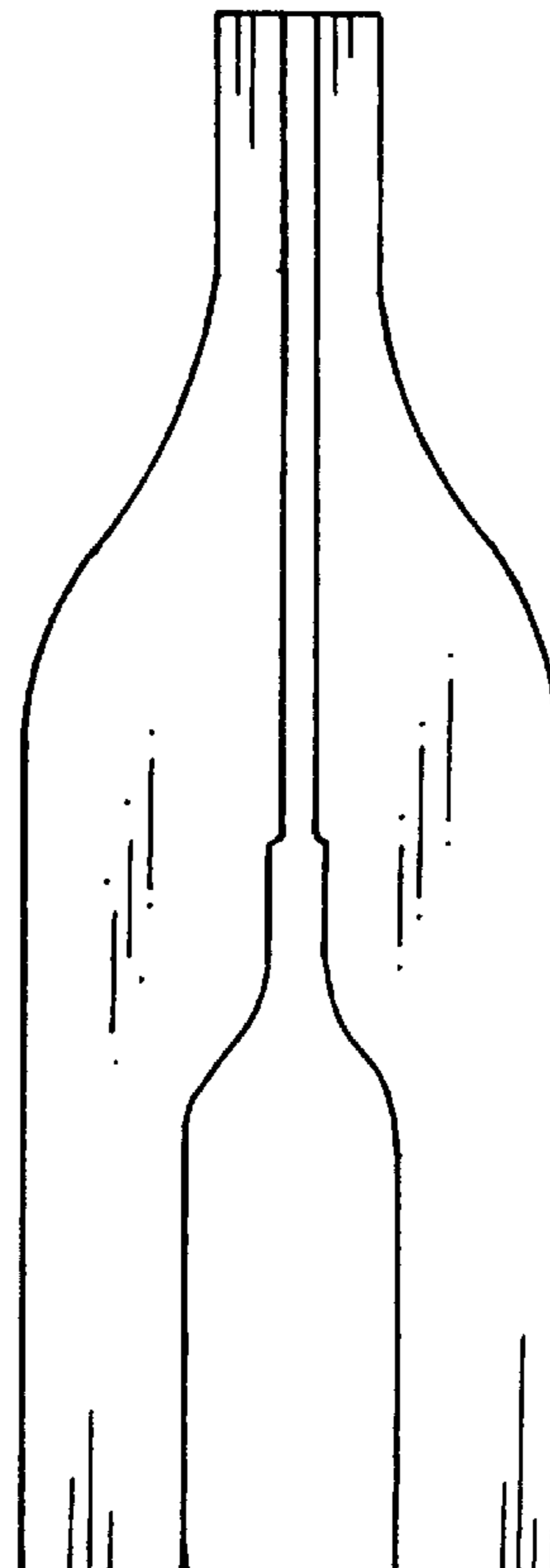
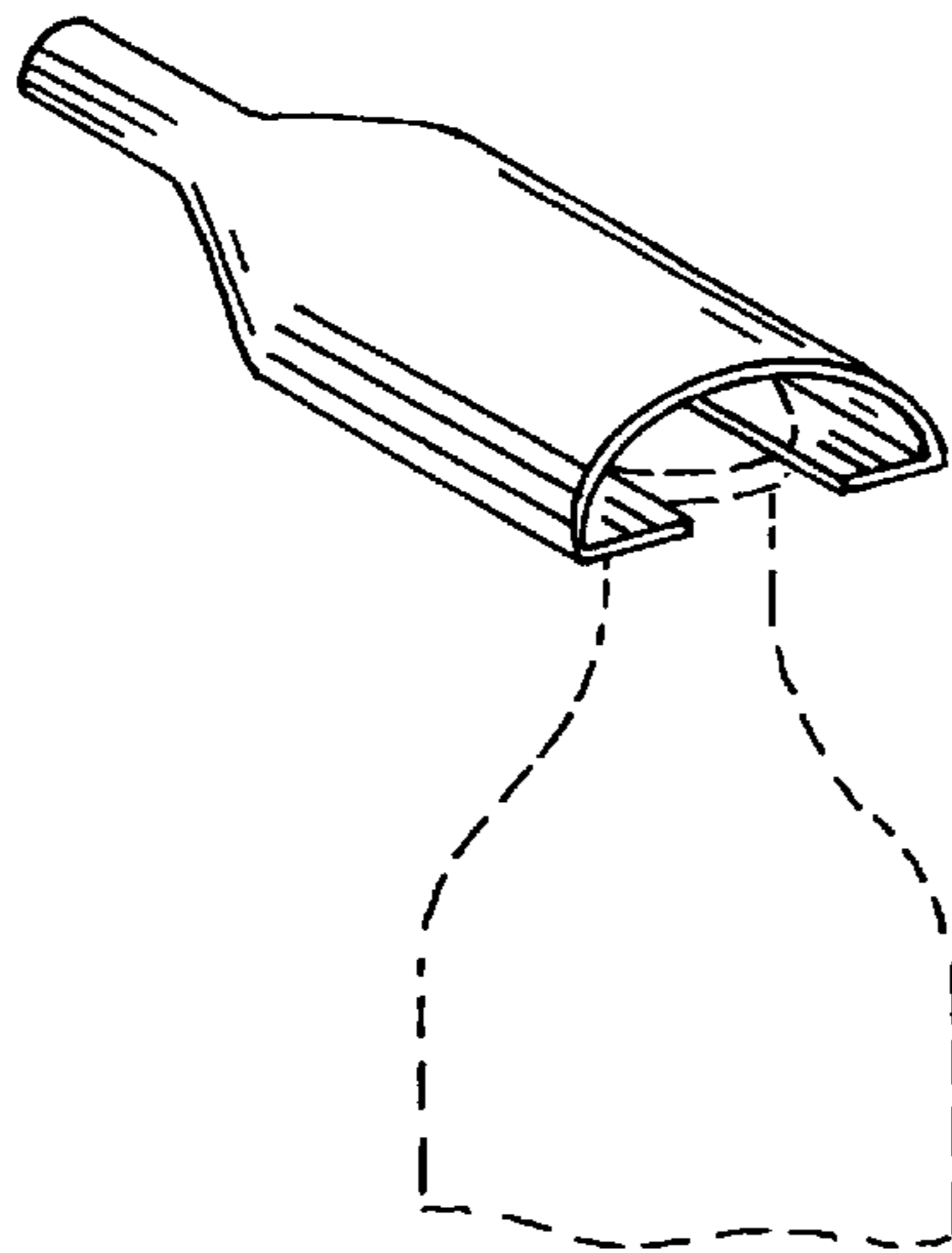
DESCRIPTION

FIG. 1 is a perspective view of the champagne opener showing our new design;
 FIG. 2 is a top plan view thereof;
 FIG. 3 is a bottom plan thereof;
 FIG. 4 is a side elevational view thereof;
 FIG. 5 is a rear elevational view thereof; and,
 FIG. 6 is a front elevational view thereof.

The dashed line showing of the champagne bottle in FIG. 1 is for purposes of illustrating the environment and does not form a part of the claimed design.

FIG. 1 is shown on a reduced scale with respect to FIGS. 2-6. The interior has been omitted from FIG. 5 for convenience of illustration, it being understood that the interior follows the exterior contours best shown in FIGS. 1, 4, and 6.

1 Claim, 1 Drawing Sheet



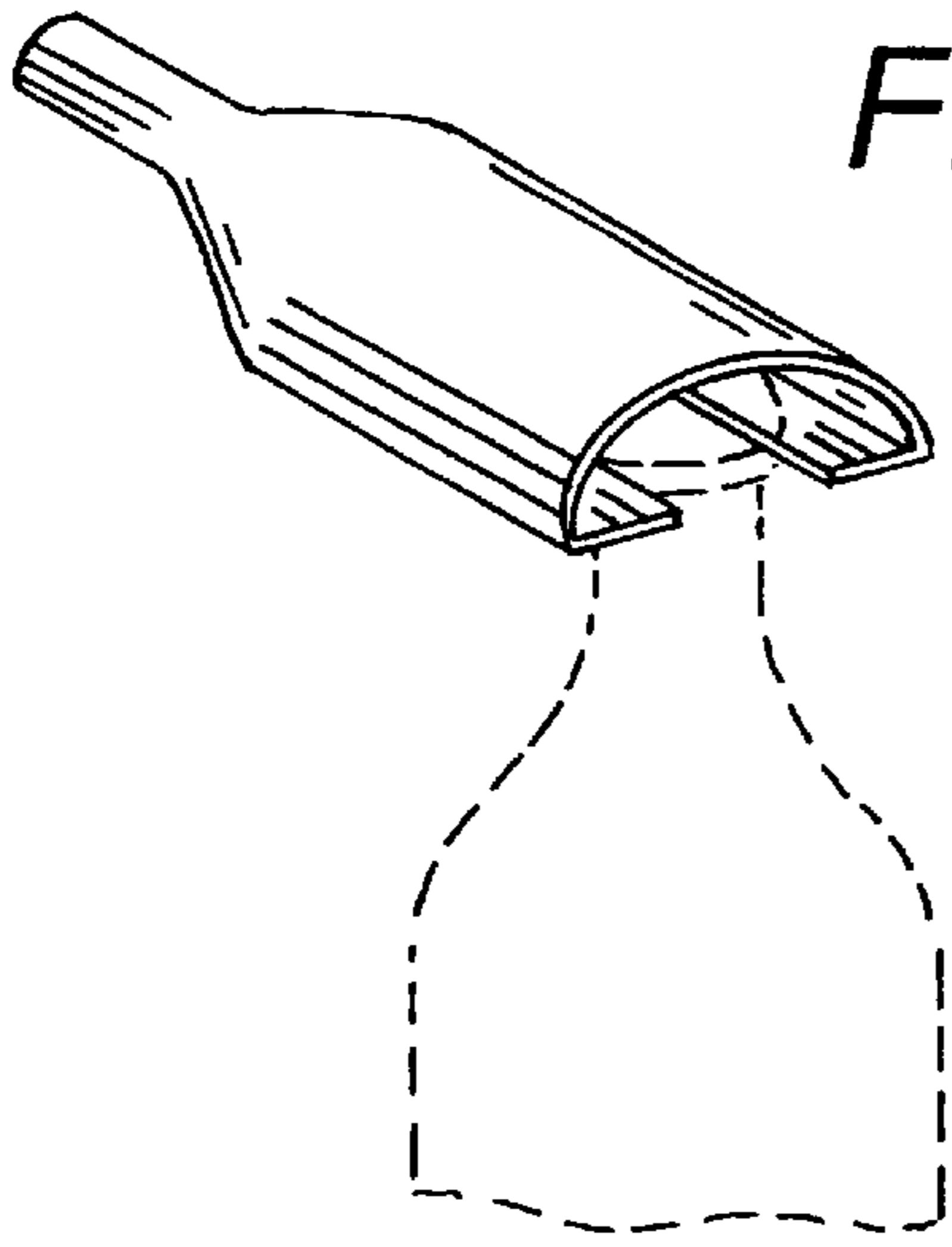


Fig. 1

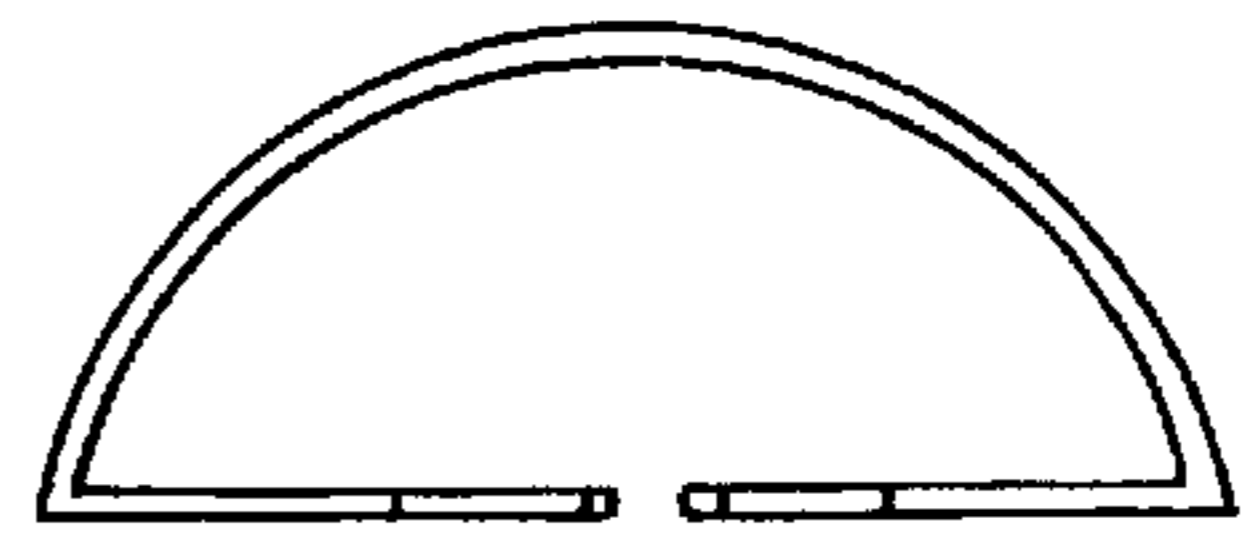


Fig. 5

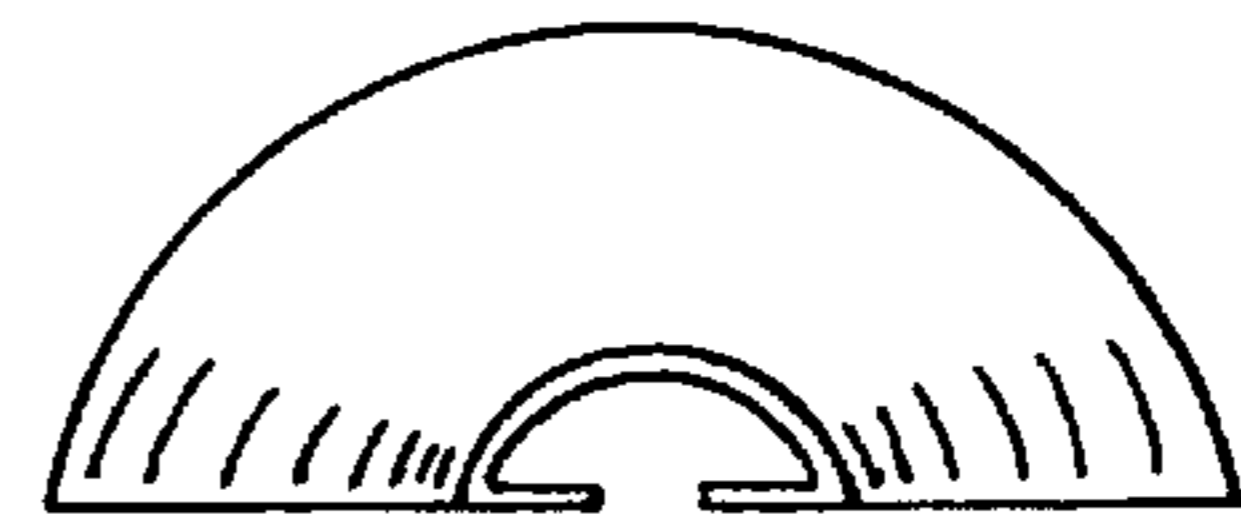


Fig. 6

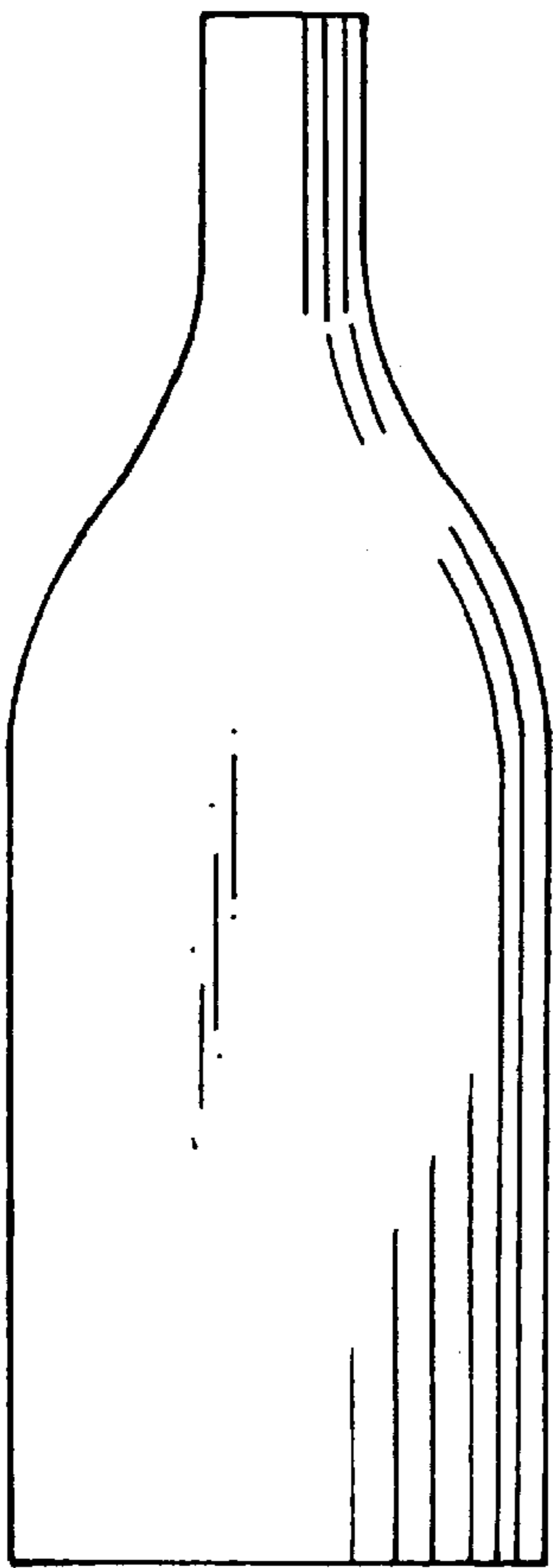


Fig. 2

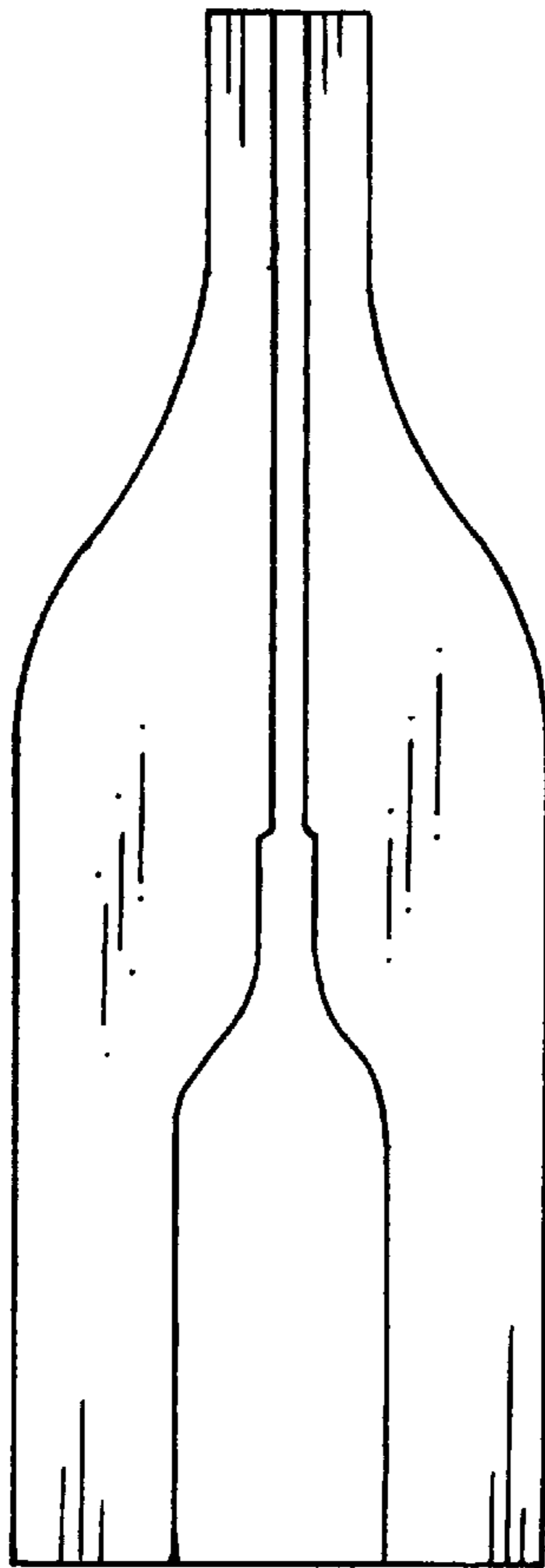


Fig. 3

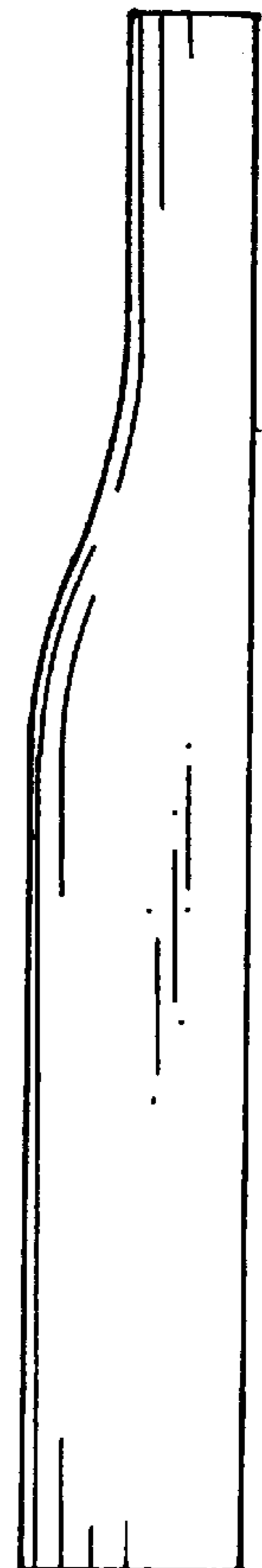


Fig. 4