



US00D432374S

United States Patent [19] Cruz et al.

[11] Patent Number: Des. 432,374

[45] Date of Patent: ** Oct. 24, 2000

[54] CAN OPENER

[75] Inventors: **Anthony V. Cruz**, Richmond, Va.;
Phillip L. Brookshire, Cincinnati, Ohio

[73] Assignee: **Hamilton Beach/Proctor-Silex, Inc.**,
Glen Allen, Va.

[**] Term: **14 Years**

[21] Appl. No.: **29/104,357**

[22] Filed: **May 4, 1999**

[51] LOC (7) Cl. **07-99**

[52] U.S. Cl. **D8/35; D8/36**

[58] Field of Search D8/33-43, 18,
D8/19; 30/400-443; 81/3.07-3.49; 7/151-156

[56] **References Cited**

U.S. PATENT DOCUMENTS

D. 187,217	2/1960	Pinette .	
D. 187,426	3/1960	Anderson	D8/36
D. 187,427	3/1960	Carlin	D8/36
D. 188,787	9/1960	Anderson	D8/36
D. 189,615	1/1961	De Fano	D8/36
D. 193,426	8/1962	Defano	D8/36
D. 200,103	1/1965	Madl	D8/36
D. 200,235	2/1965	Madl	D8/36
D. 230,005	1/1974	Weiss	D8/35
D. 255,210	6/1980	Lee	D8/36
D. 296,753	7/1988	Tsuji et al. .	
D. 308,159	5/1990	Stutzer .	
D. 324,157	2/1992	Gildersleve	D8/35
D. 366,404	1/1996	Indindoli	D8/36
D. 387,643	12/1997	Laude et al. .	
D. 388,674	1/1998	McCloskey et al.	D8/36
D. 394,791	6/1998	Lallemand .	
D. 397,600	9/1998	Brady .	
D. 406,738	3/1999	Brady	D8/36
D. 408,235	4/1999	Alonge et al.	D8/35
D. 410,827	6/1999	Conrado et al.	D8/35
D. 411,789	7/1999	Conrado et al.	D8/35
3,031,751	5/1962	Hart .	
3,146,555	9/1964	Posener .	
3,858,313	1/1975	Yamaguchi	30/404
3,911,571	10/1975	Ponczek et al.	30/423

OTHER PUBLICATIONS

Front and rear covers and p. 28 of 1993/94 Catalog published by Hamilton Beach/Proctor-Silex, Inc.
Front and rear covers and p. 5 of "1994 Hamilton Beach/Proctor-Silex New Products" Catalog.
See Information Disclosure Statement regarding offer for sale less than one year before filing date. This design offered for sale Sep. 1998.

Primary Examiner—Jeffrey Asch
Attorney, Agent, or Firm—Roger S. Dybvig

[57] **CLAIM**

The ornamental design for can opener, as shown and described.

DESCRIPTION

FIG. 1 is a perspective view as seen from the top, front, and left side of a first embodiment of a can opener showing our new design;

FIG. 2 is a left side elevational view thereof;

FIG. 3 is a front elevational view thereof;

FIG. 4 is a right side elevational view thereof;

FIG. 5 is a rear elevational view thereof;

FIG. 6 is a top plan view thereof;

FIG. 7 is a bottom plan view thereof;

FIG. 8 is a perspective view as seen from the top, front, and left side of a second embodiment of a can opener showing our new design;

FIG. 9 is a left side elevational view thereof;

FIG. 10 is a front elevational view thereof;

FIG. 11 is a right side elevational view thereof;

FIG. 12 is a rear elevational view thereof;

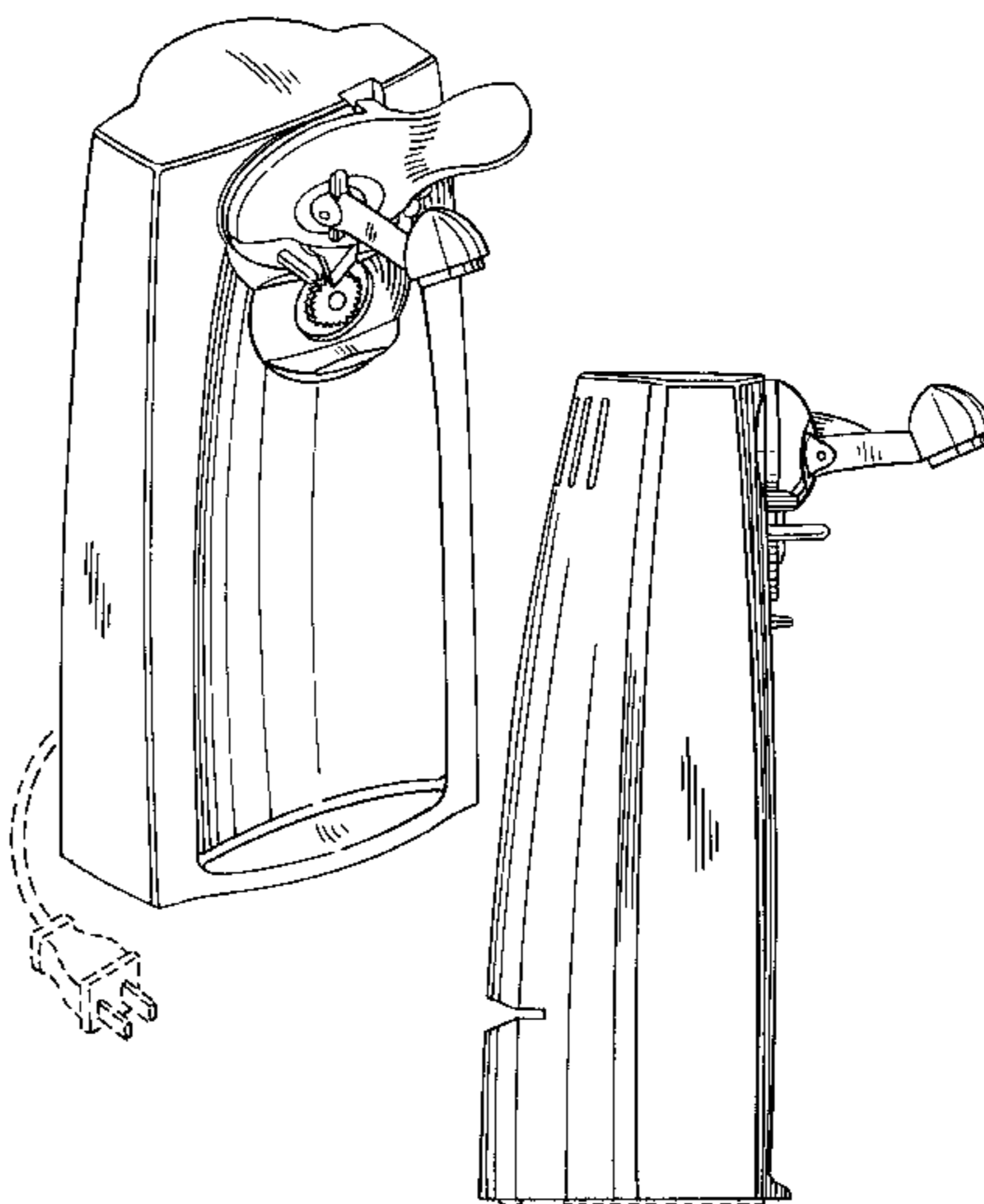
FIG. 13 is a top plan view thereof; and,

FIG. 14 is a bottom plan view thereof.

The broken lines in FIGS. 1 through 5 and 7 showing the power cord and feet are used for illustrative purposes only and form no part of the claimed design.

The broken lines in FIGS. 8 through 14 showing the power cord, feet, rear vents, a honing stone aperture, and the power cord aperture/lock are used for illustrative purposes only and form no part of the claimed design.

1 Claim, 8 Drawing Sheets



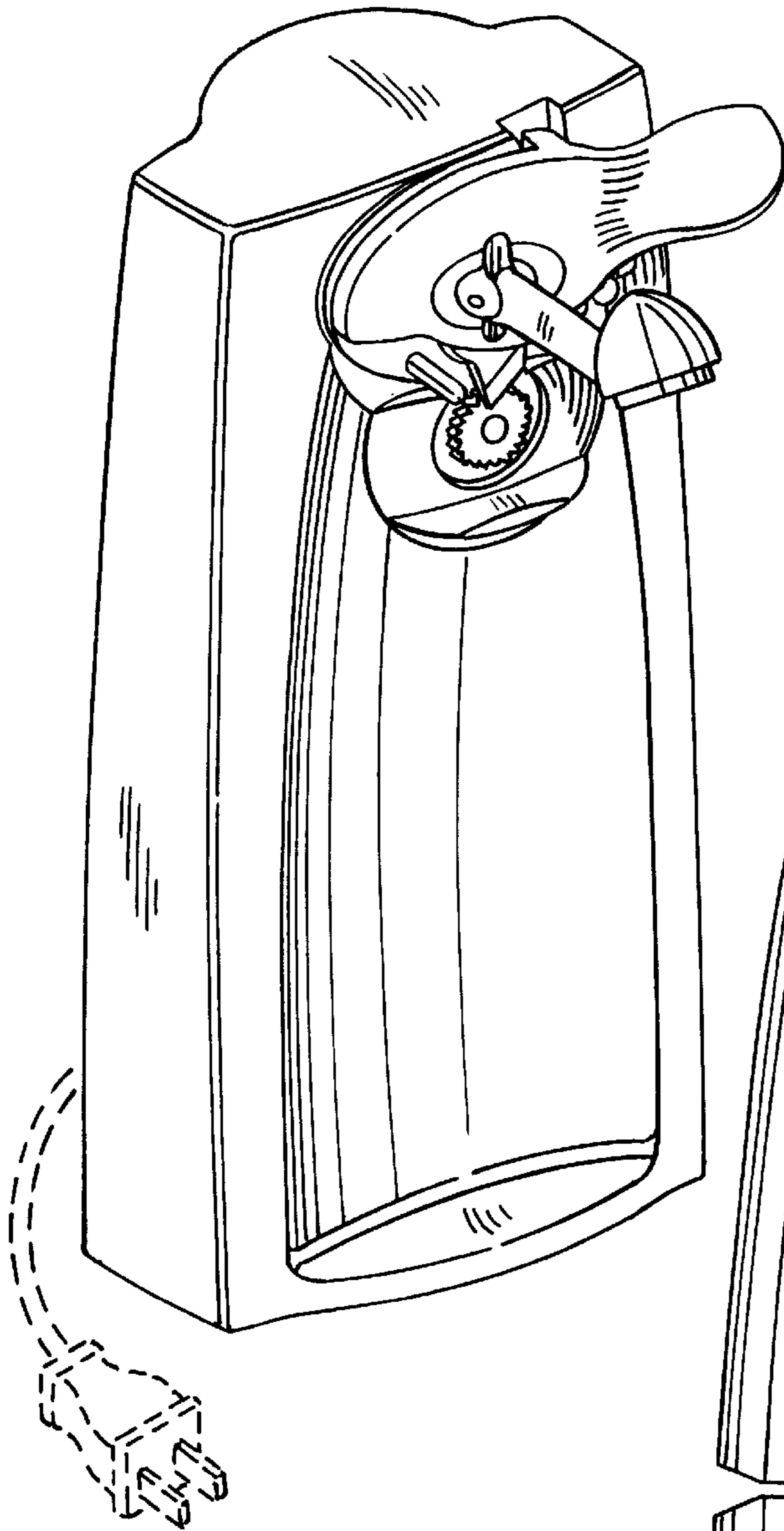


FIG-1

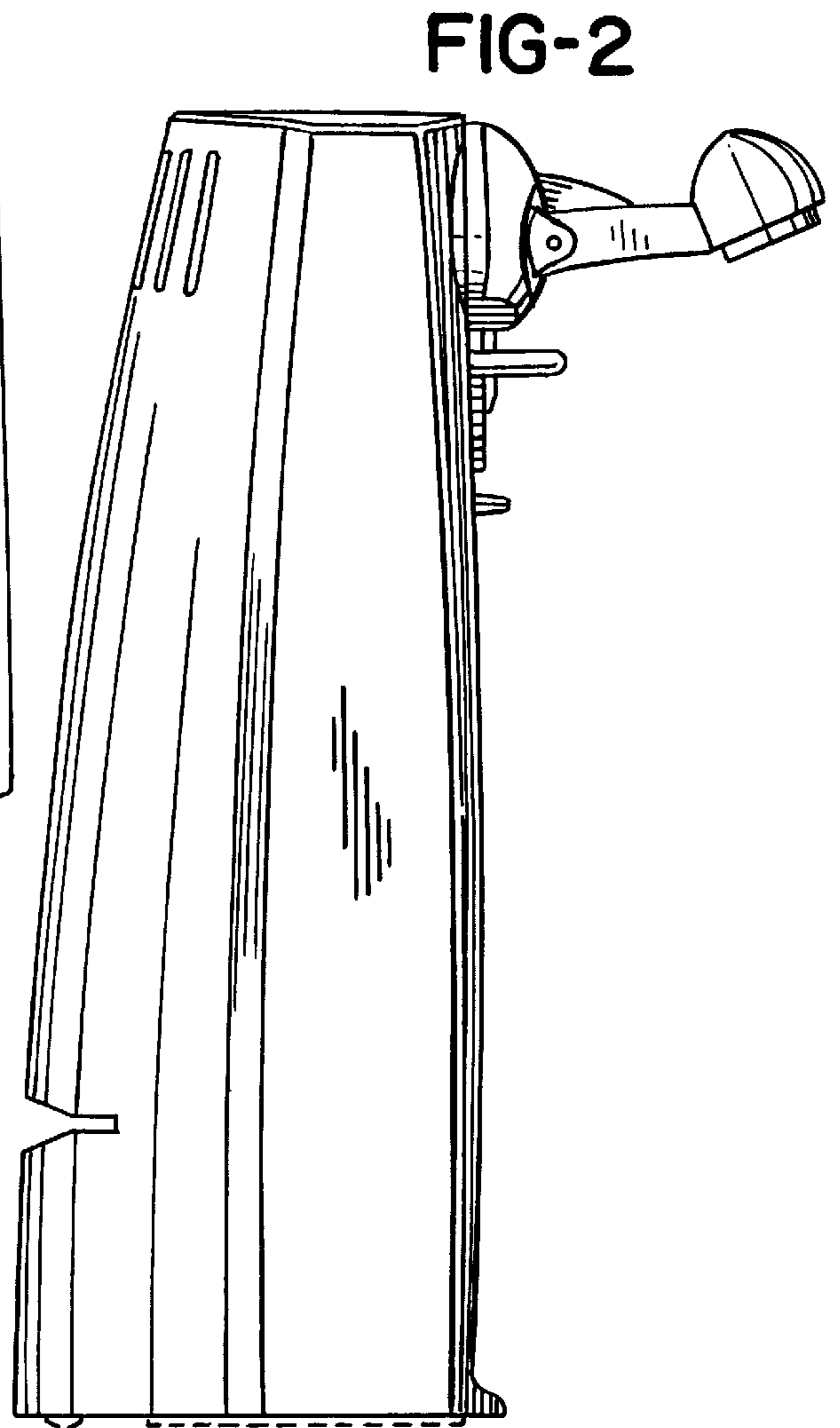


FIG-2

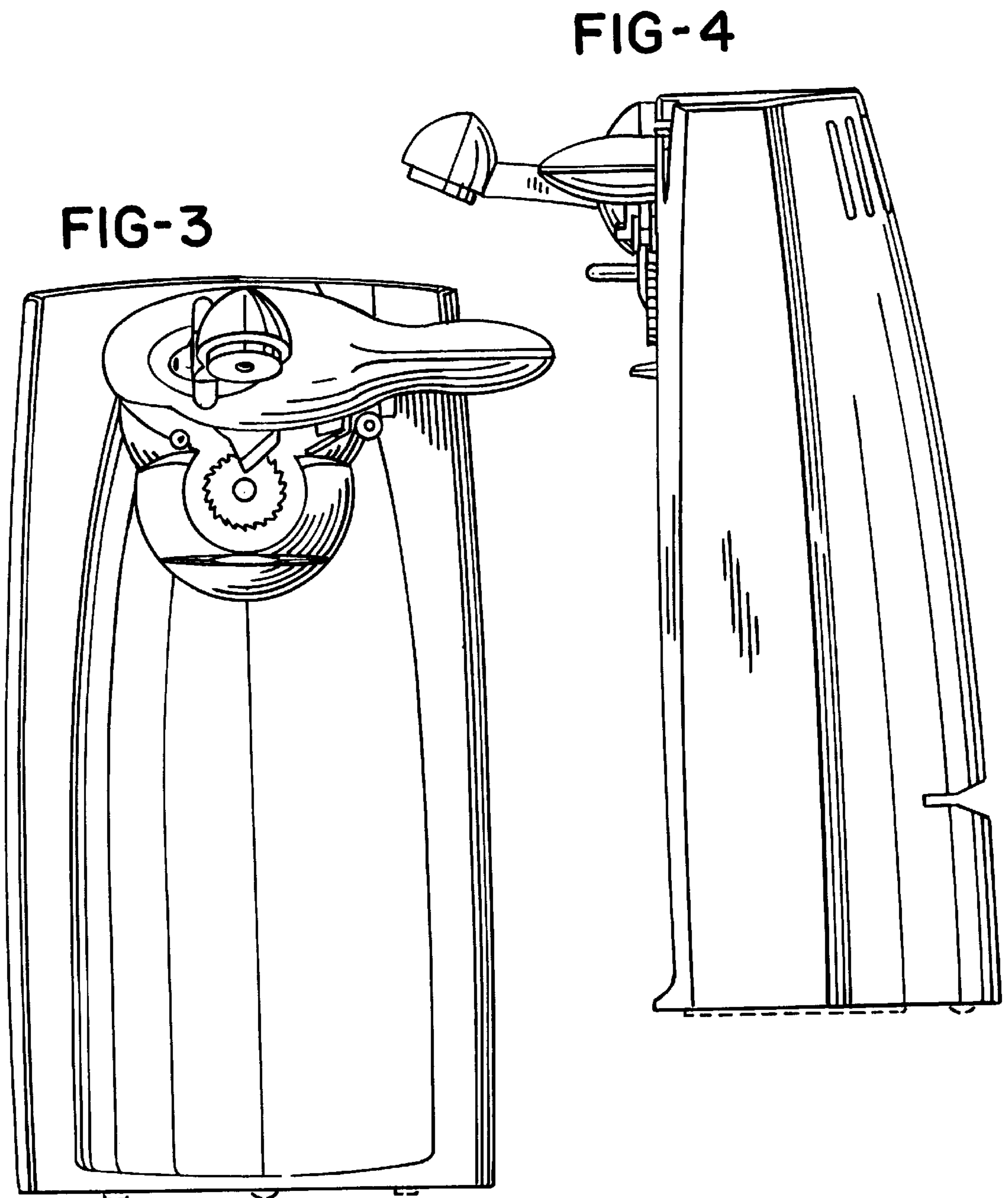


FIG-5



FIG-6

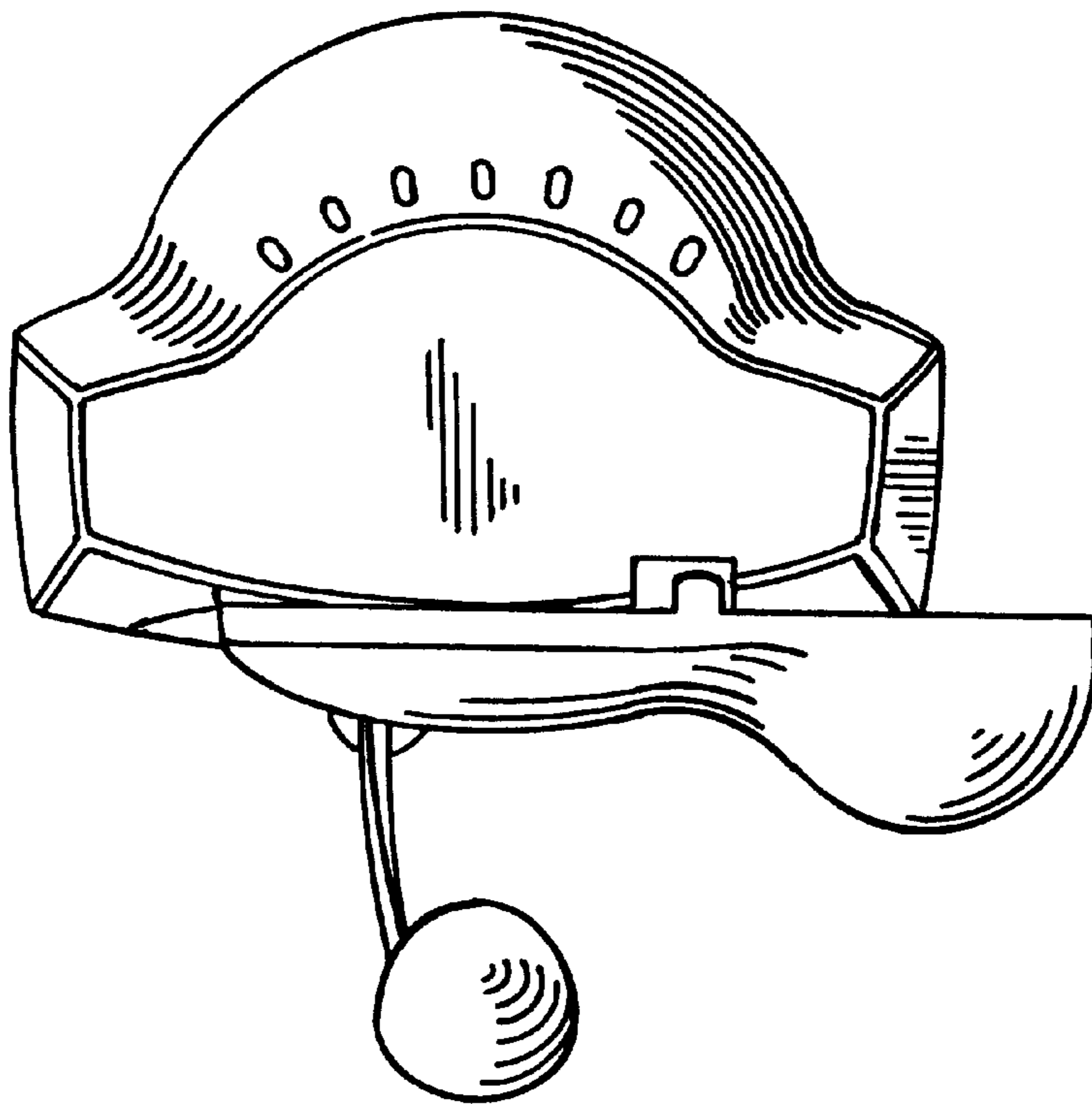
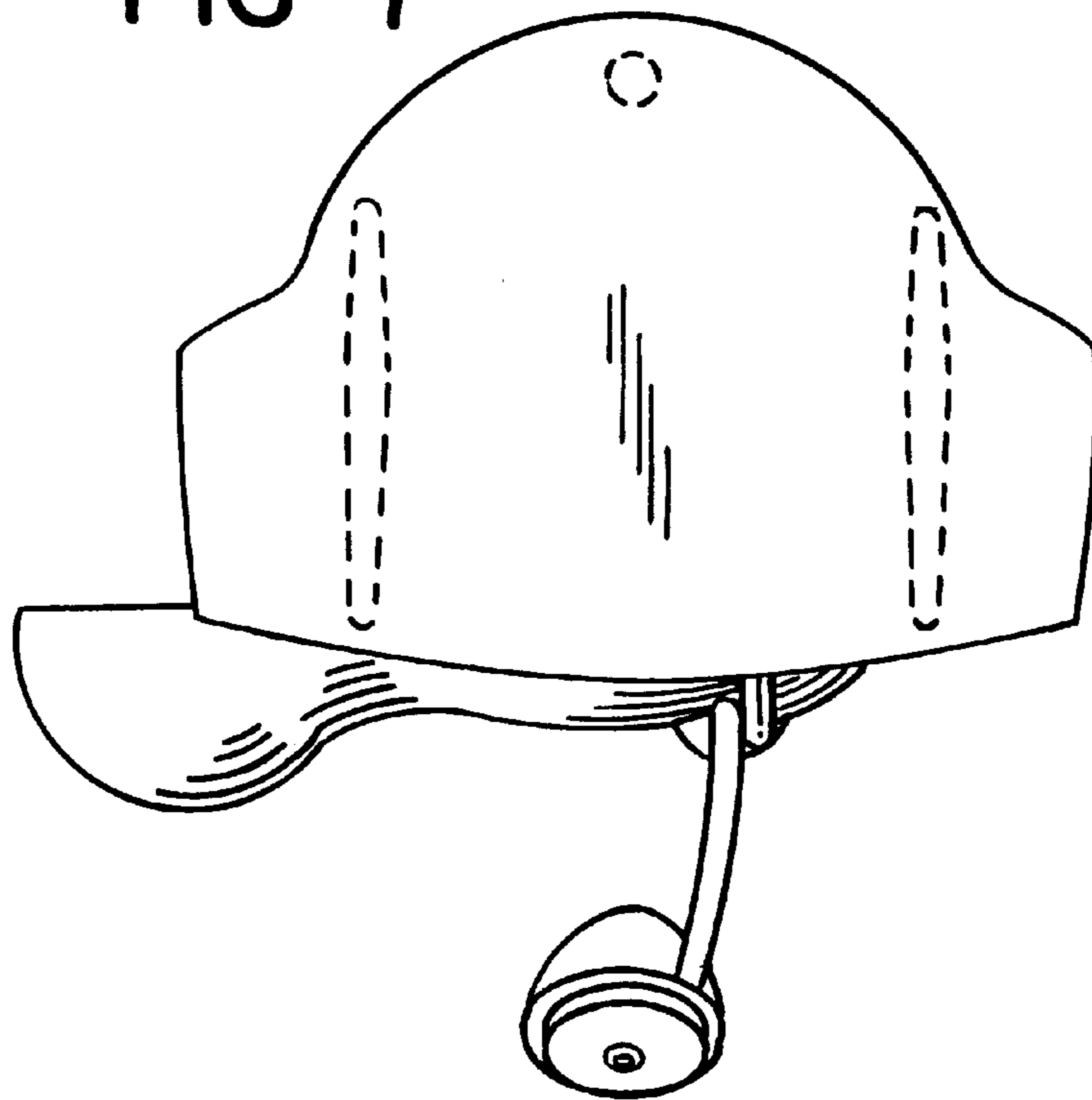


FIG-7



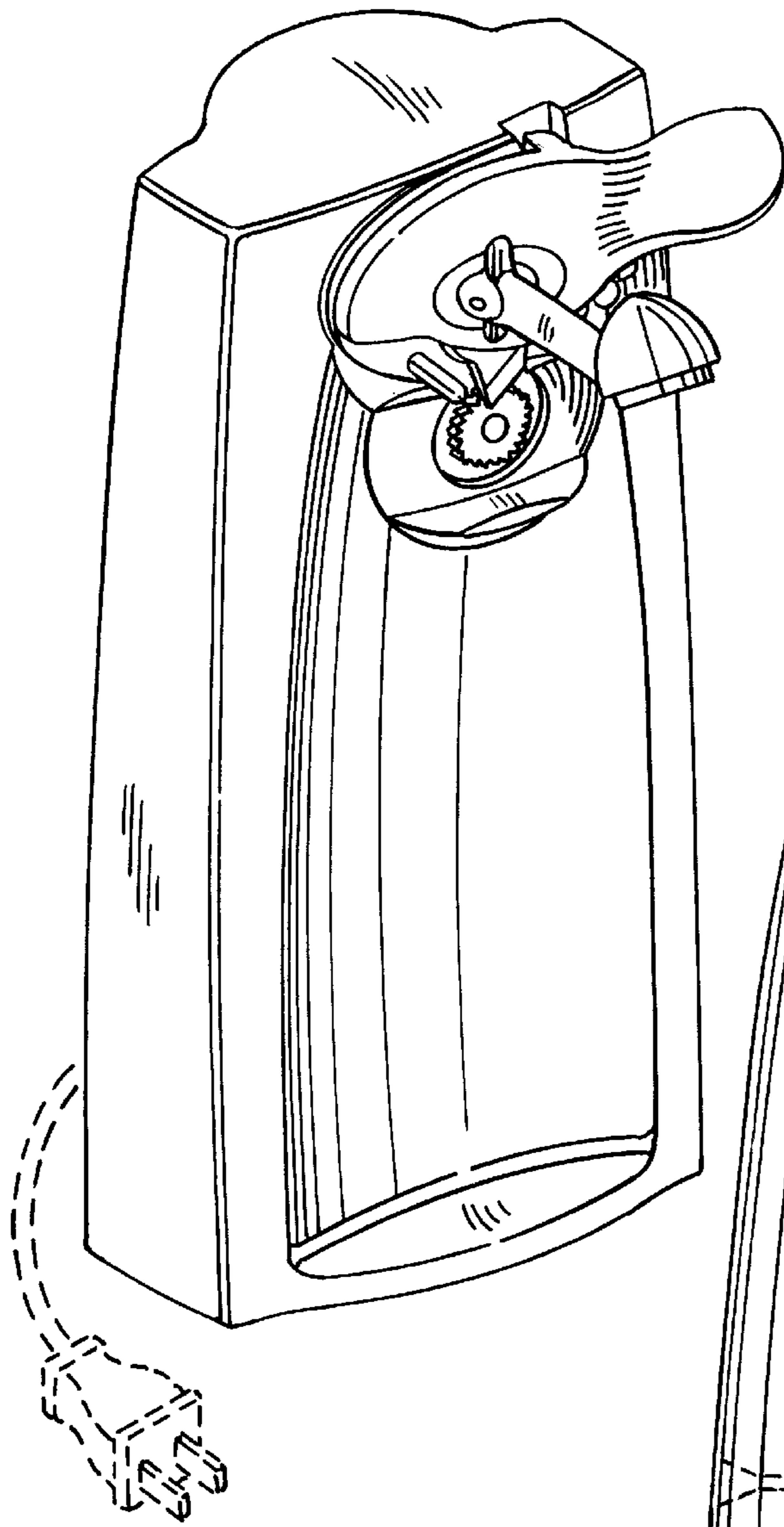


FIG-8

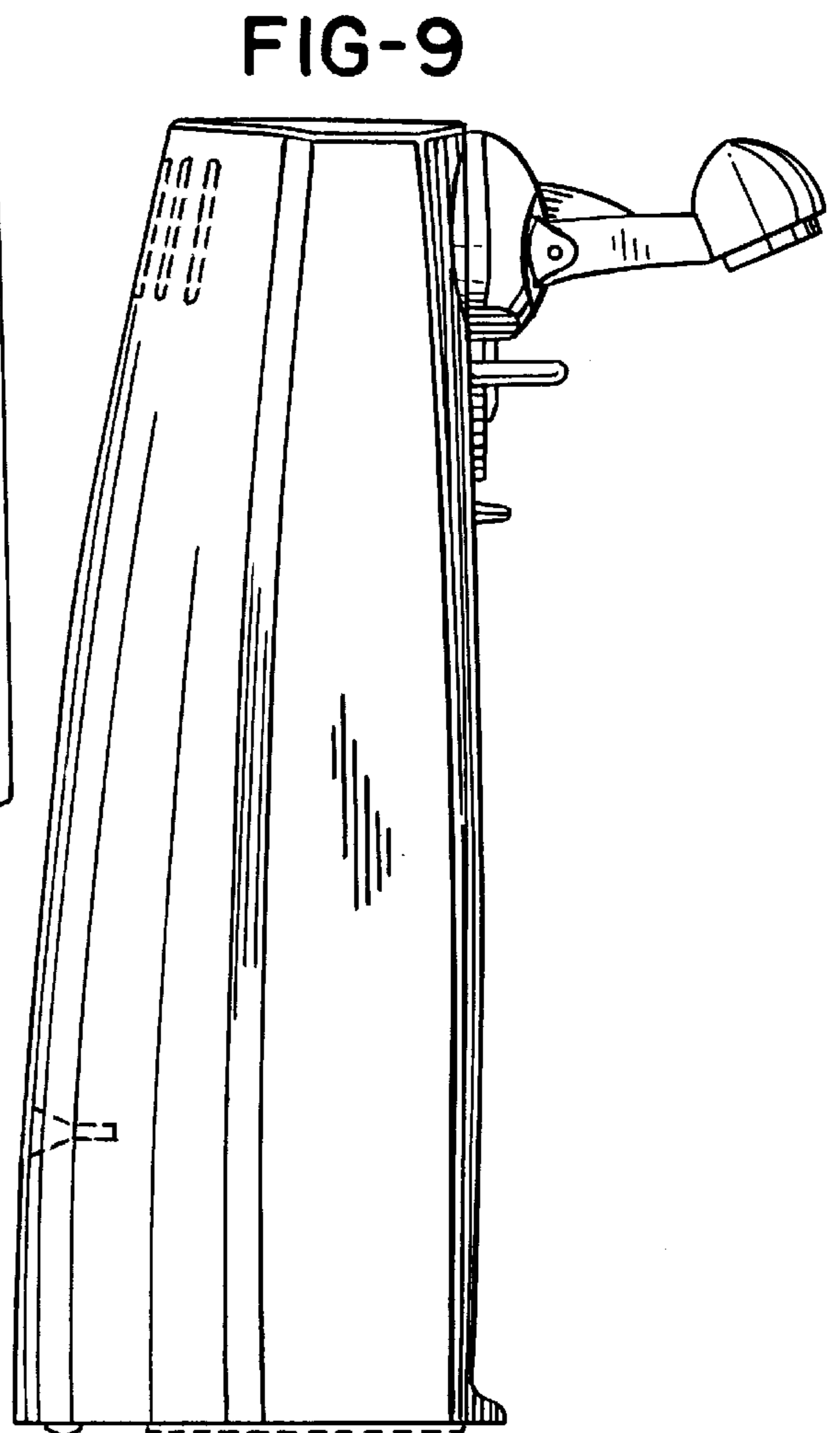


FIG-9

FIG-10

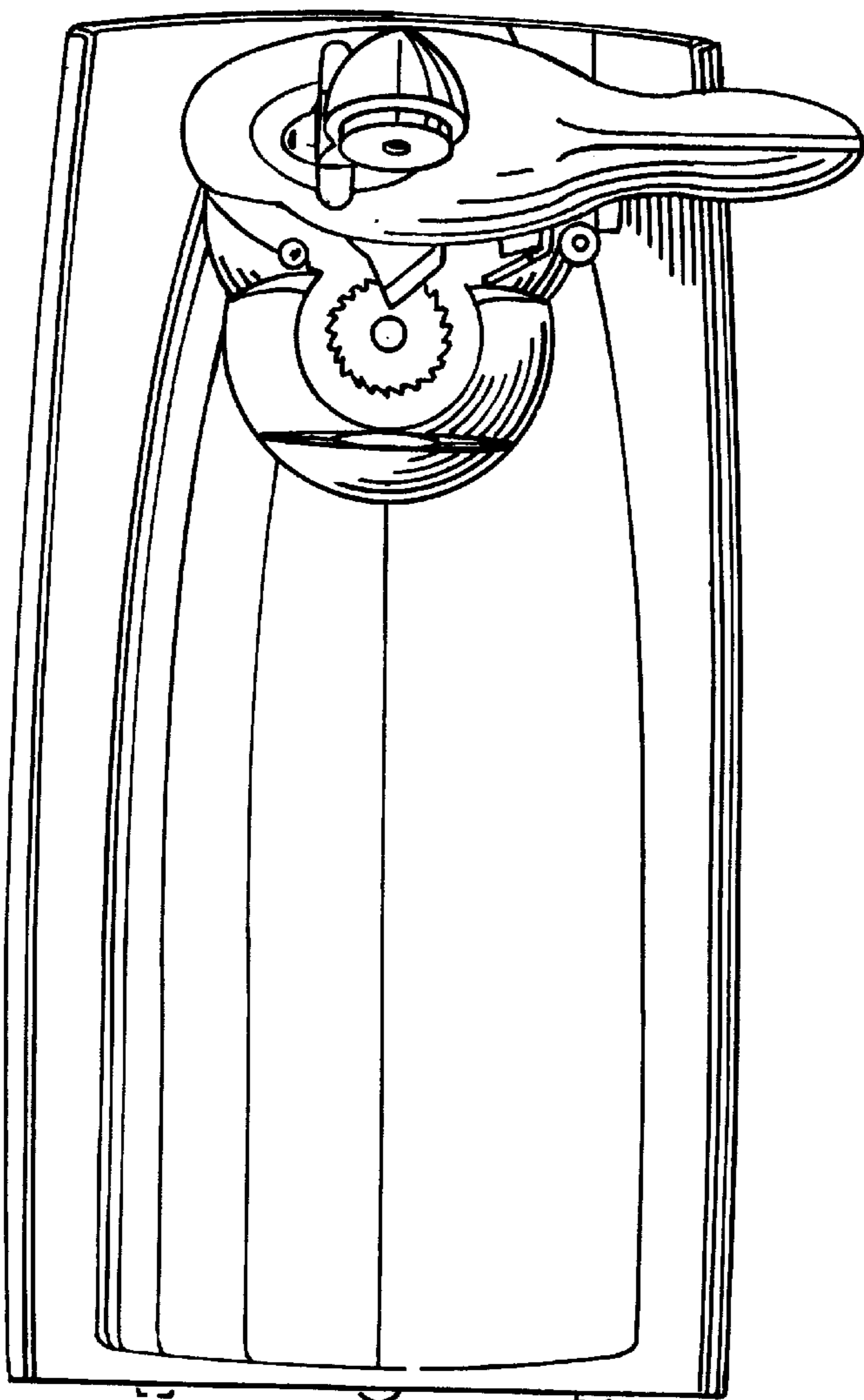


FIG-11

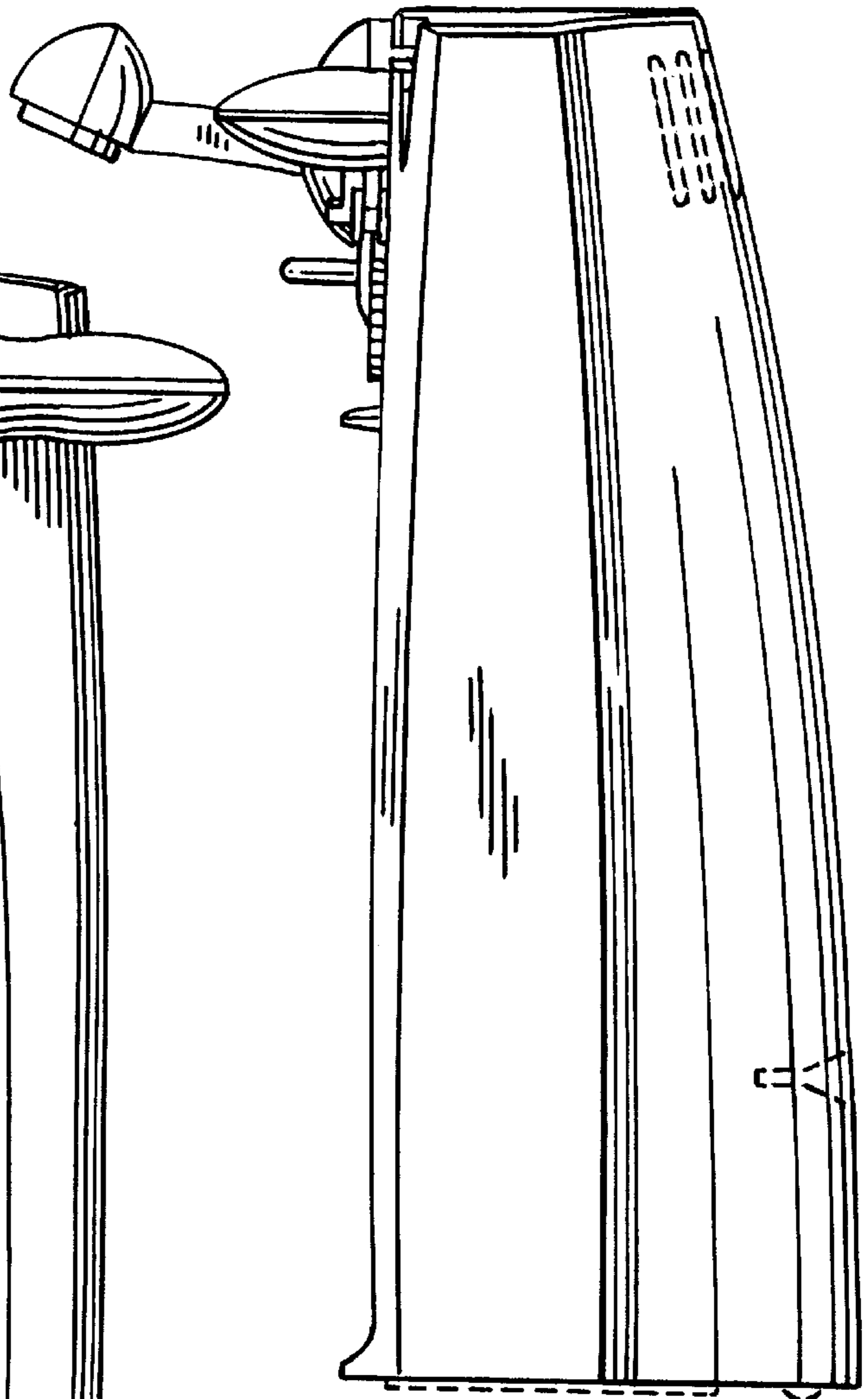


FIG-12

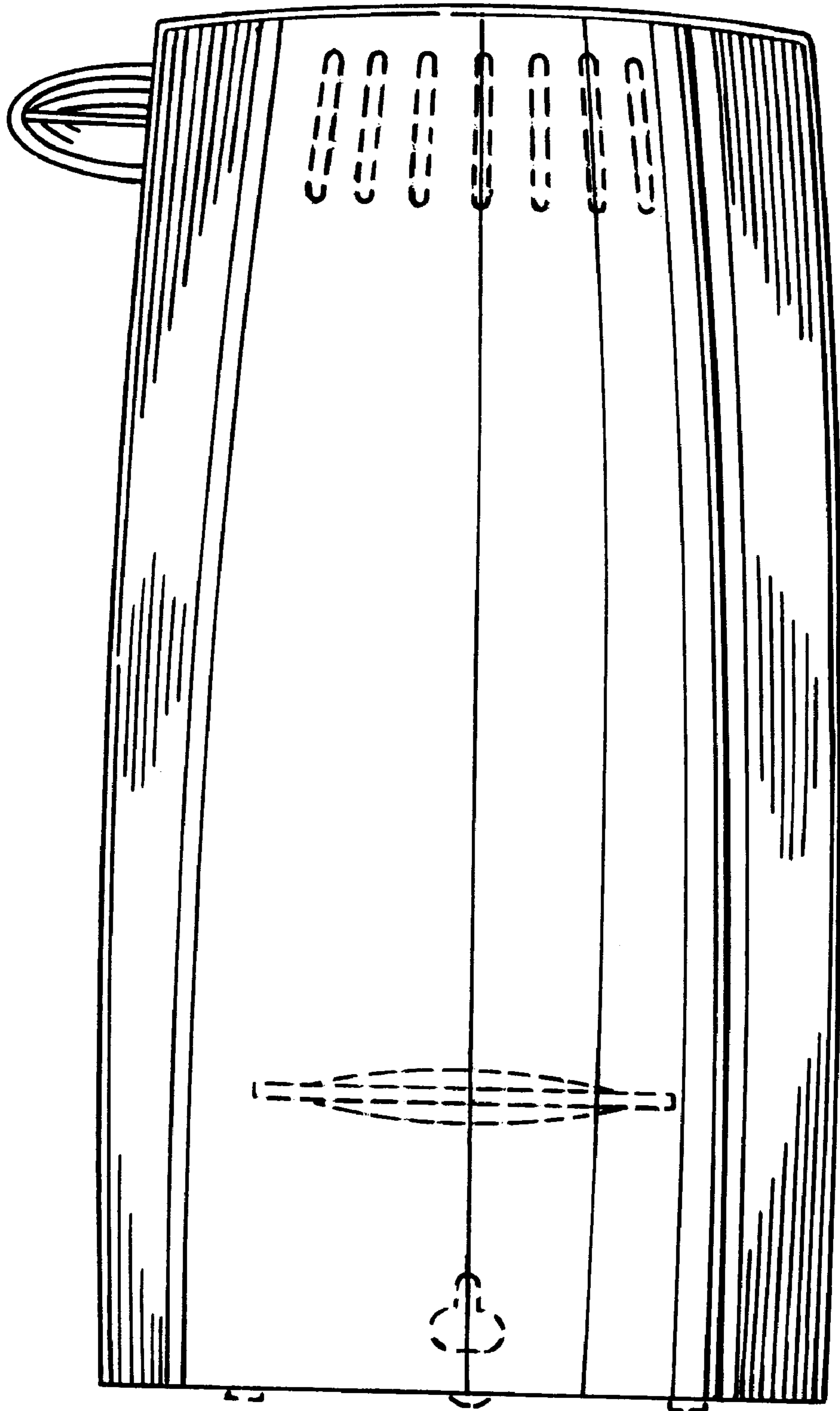


FIG-13

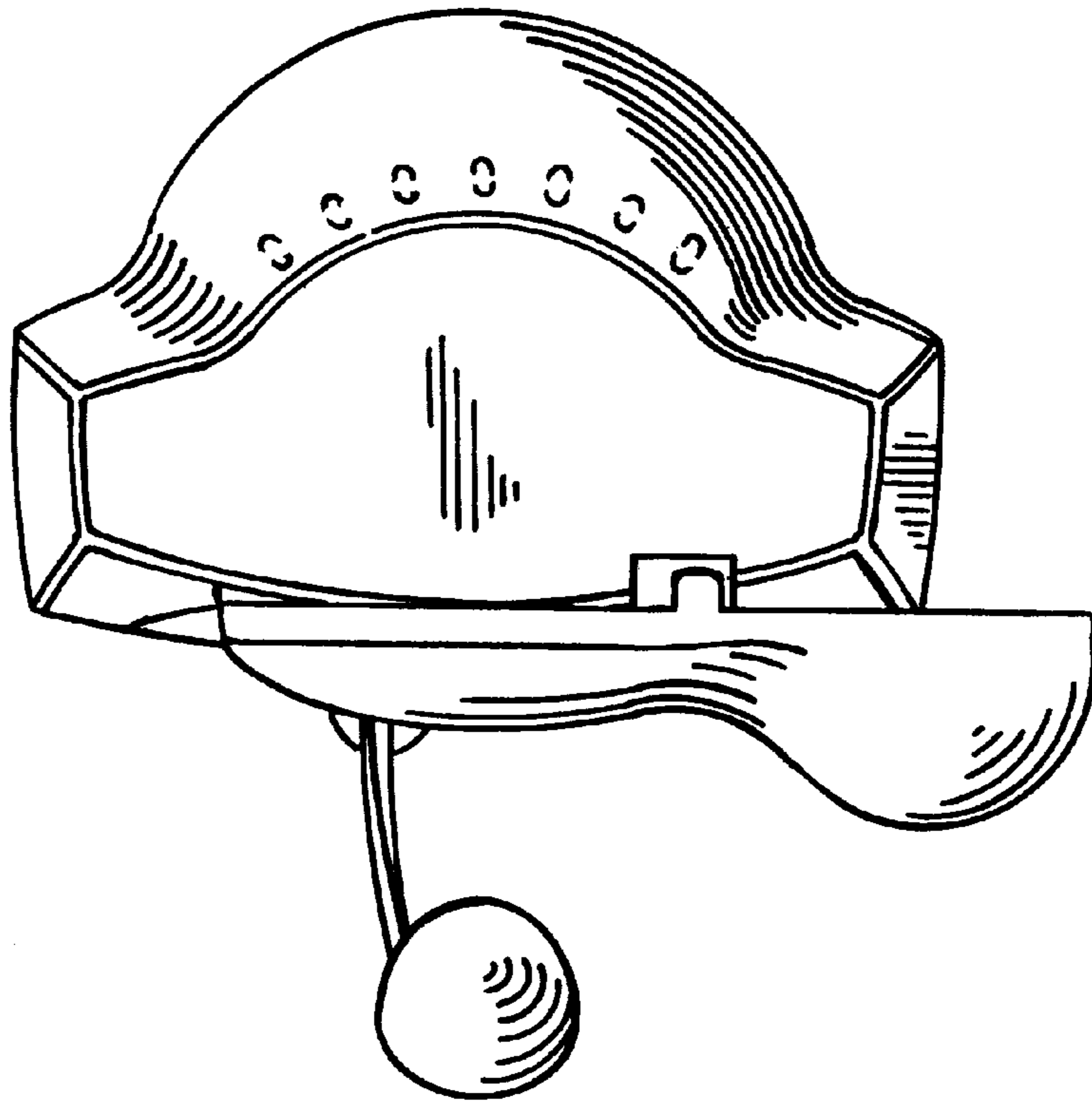


FIG-14

