

US00D432372S

United States Patent [19]

[11] **Patent Number: Des. 432,372**

Iacofano et al.

[45] **Date of Patent: ** Oct. 24, 2000**

[54] **SPRAYER**

D. 322,838 12/1991 Hagedorn D23/225
D. 393,187 4/1998 Shfaram D8/1
3,940,069 2/1976 Gunzel et al. 239/318

[75] Inventors: **Nicolina Iacofano**, High Wycombe;
Eric George Day, Monks Risborough,
both of United Kingdom

Primary Examiner—Robin V. Taylor
Attorney, Agent, or Firm—Lee, Mann, Smith, McWilliams,
Sweeney & Ohlson

[73] Assignee: **Hozelock Limited**, Aylesbury, United
Kingdom

[**] Term: **14 Years**

[57] CLAIM

[21] Appl. No.: **29/114,409**

The ornamental design for a sprayer, as shown and
described.

[22] Filed: **Nov. 23, 1999**

DESCRIPTION

[30] Foreign Application Priority Data

May 29, 1999 [GB] United Kingdom 2083810

FIG. 1 is a perspective view of a new sprayer according to
our invention.

[51] **LOC (7) Cl.** **08-01**

FIG. 2 is a front elevational illustration thereof.

[52] **U.S. Cl.** **D8/2; D23/225**

FIG. 3 is a side elevational view thereof, the opposite side
being a mirror image.

[58] **Field of Search** D8/1, 2; D23/225;
239/302, 318; D9/531, 534; D7/317, 316,
318, 312

FIG. 4 is a rear elevational view thereof.

FIG. 5 is a top plan view thereof; and,

FIG. 6 is a bottom plan view thereof.

[56] References Cited

U.S. PATENT DOCUMENTS

D. 235,063 5/1975 Gunzel et al. D23/225

1 Claim, 5 Drawing Sheets

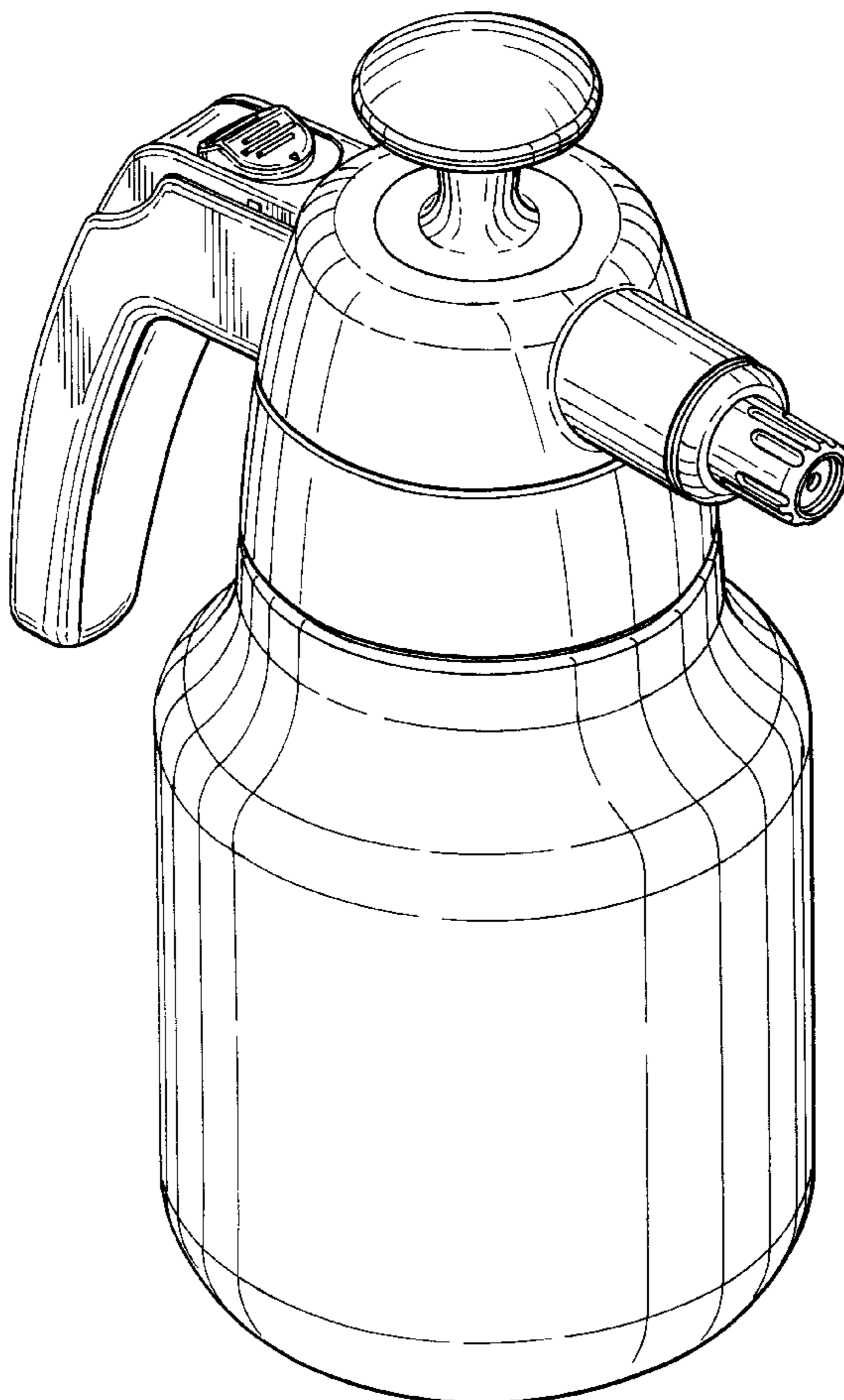


FIG. 1

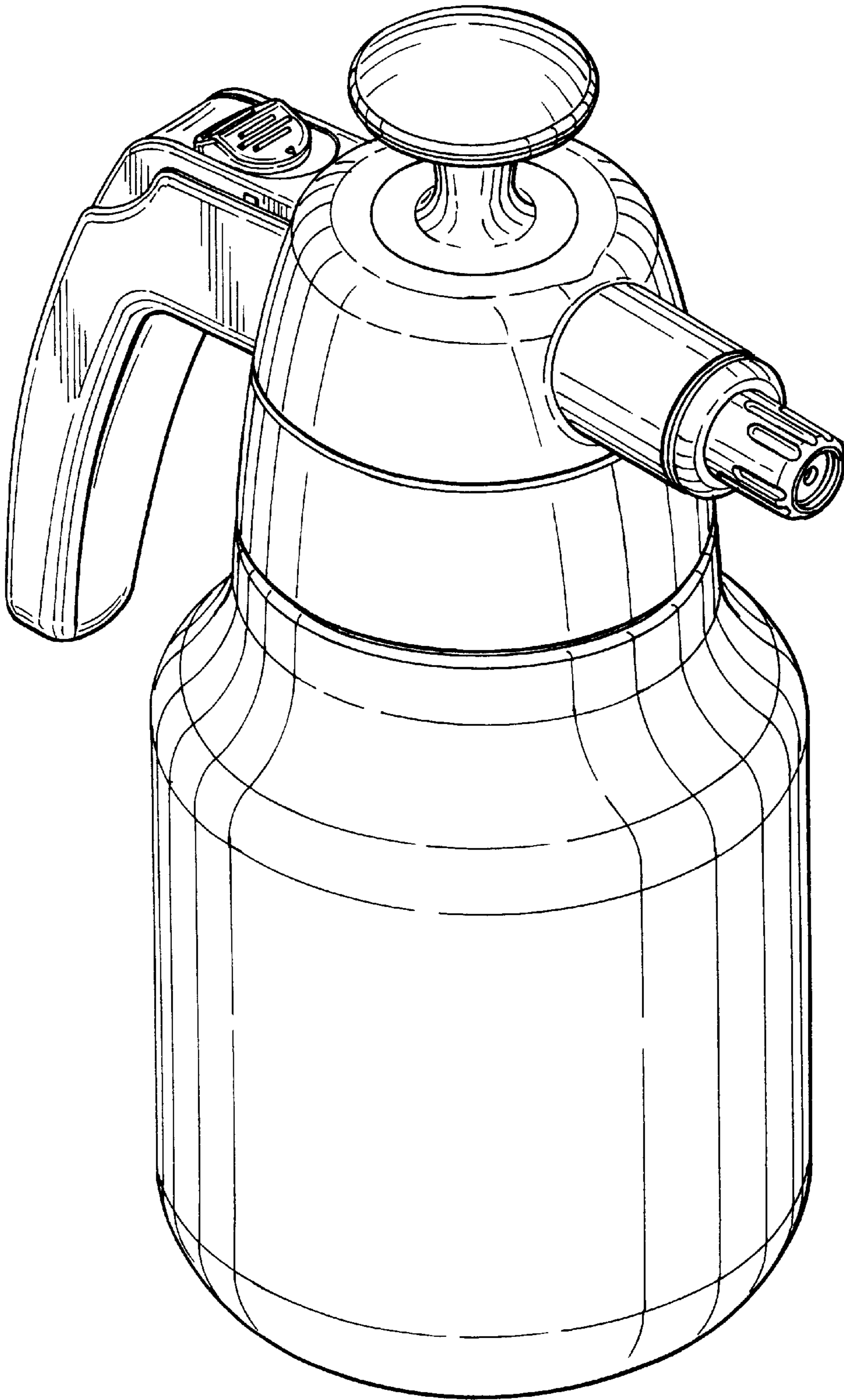


FIG.2

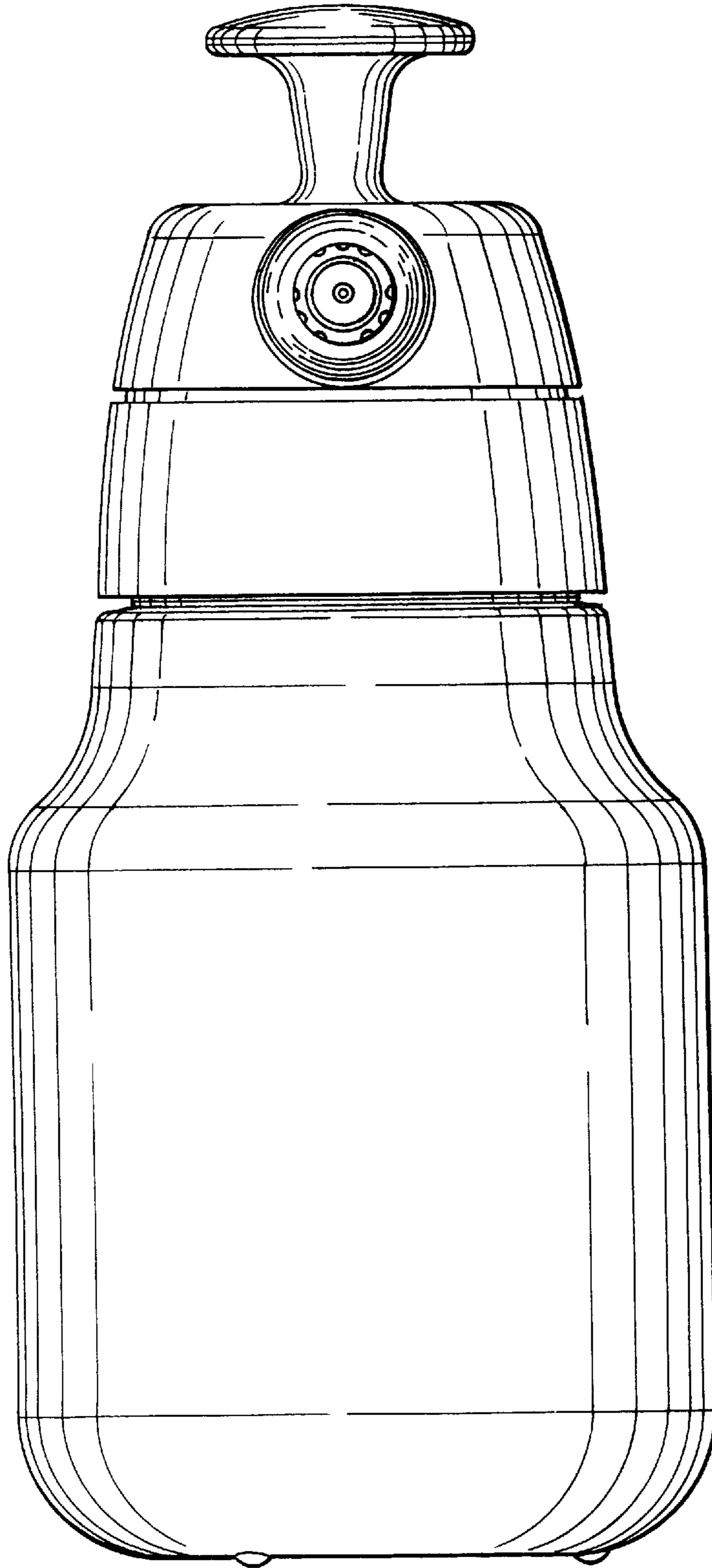


FIG.3

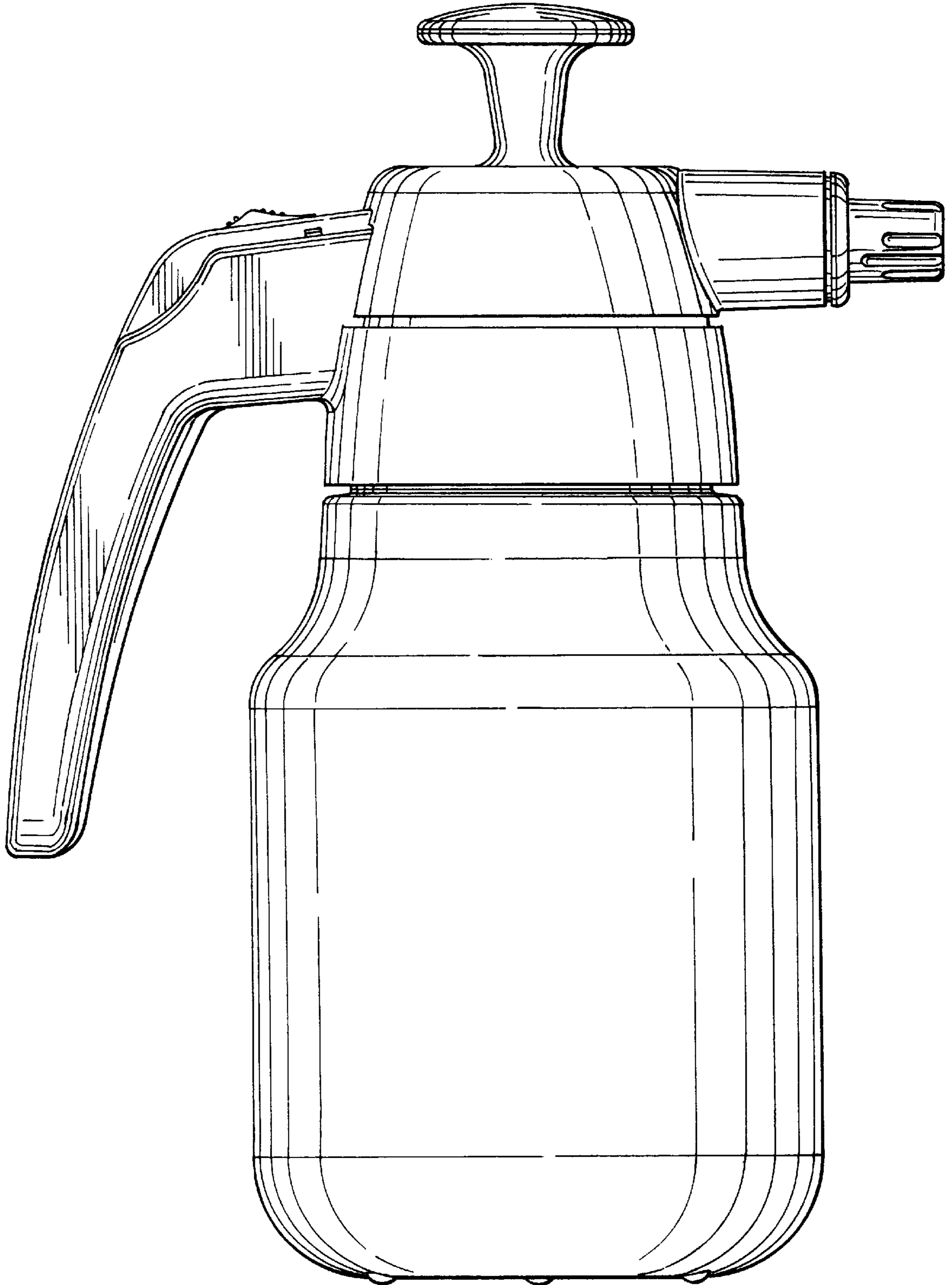


FIG.4

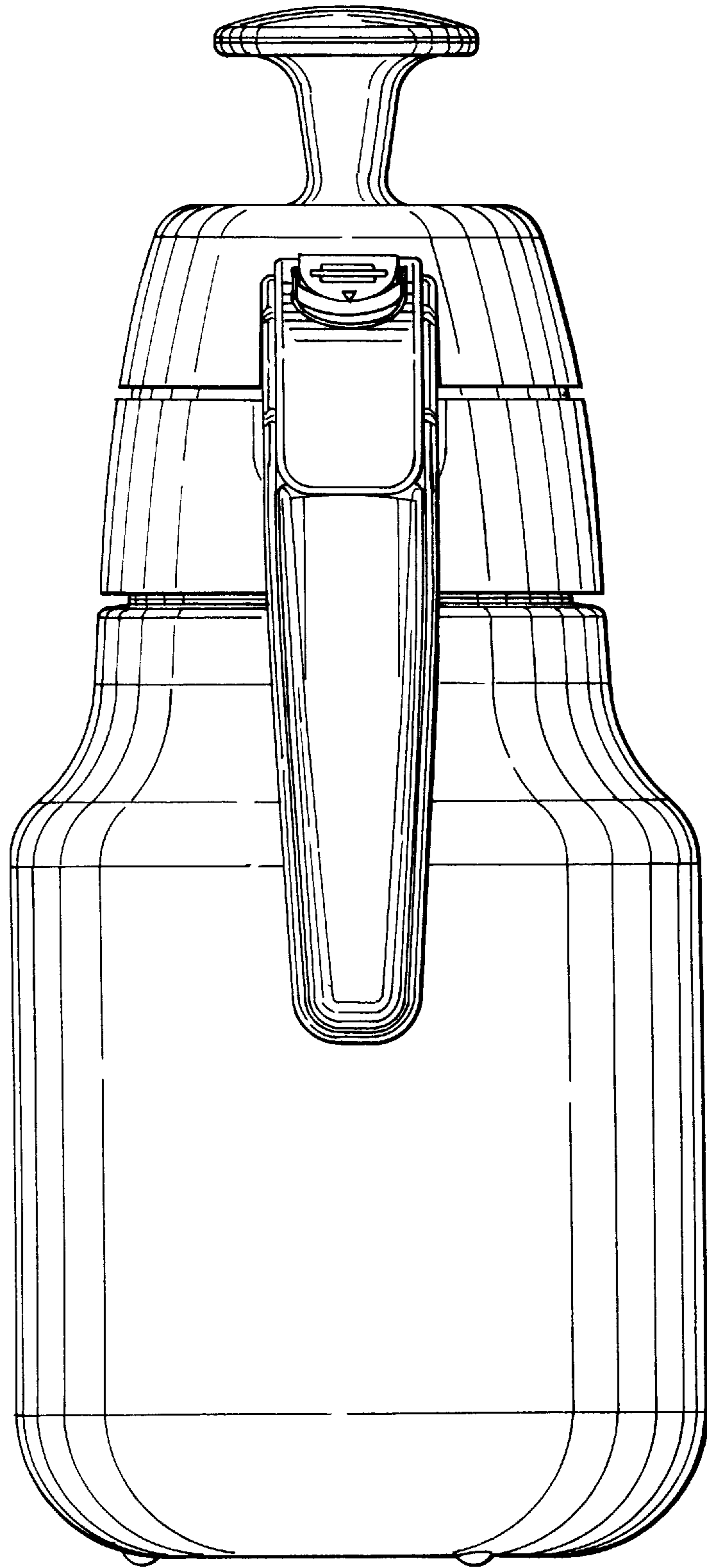


FIG. 5

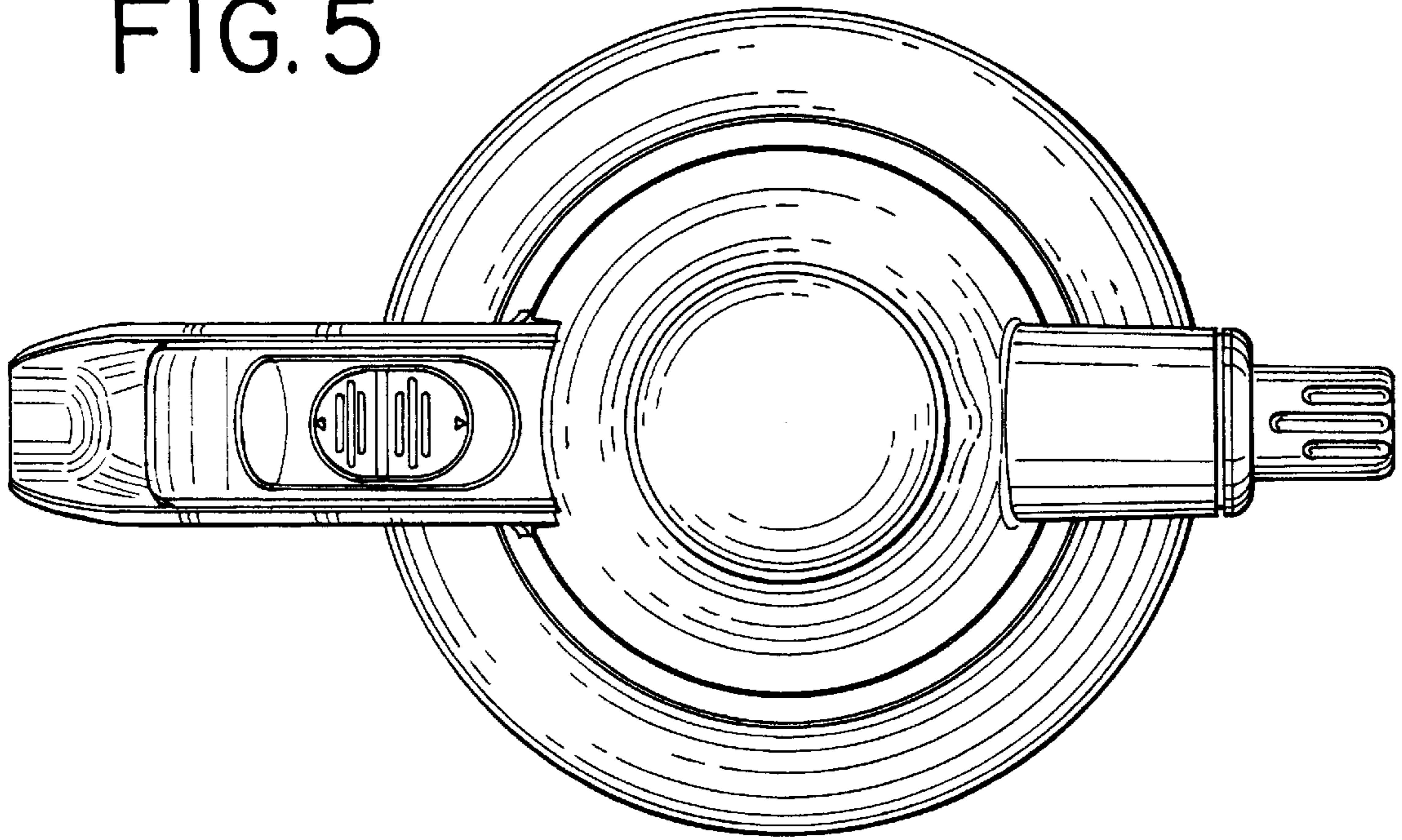


FIG. 6

