



US00D432371S

United States Patent [19]
Ballard

[11] **Patent Number: Des. 432,371**

[45] **Date of Patent: ** Oct. 24, 2000**

[54] **PLANT SUPPORT**

5,263,278 11/1993 Valenti 47/48.5

[76] Inventor: **Robert C. Ballard**, 1123 10th St.
North, Moorhead, Minn. 56560

Primary Examiner—Robin V. Taylor
Attorney, Agent, or Firm—D. L. Tschida

[**] Term: **14 Years**

[57] **CLAIM**

[21] Appl. No.: **29/104,895**

The ornamental design for a plant support, as shown and described.

[22] Filed: **May 13, 1999**

DESCRIPTION

[51] **LOC (7) Cl.** **08-01**

[52] **U.S. Cl.** **D8/1**

[58] **Field of Search** D8/1; 47/42-44,
47/45, 46, 47

FIG. 1 is a perspective drawing showing front, rear, side and top views of a number of my plant supports arranged with interconnecting rods to support a plant and wherein the matter shown in dashed line comprises no part of the invention;

[56] **References Cited**

U.S. PATENT DOCUMENTS

D. 335,802	5/1993	Klump	D8/1
1,361,464	12/1920	Hunt	47/47
2,024,546	12/1935	Starkey	47/47
3,559,339	2/1971	Worley	47/47
4,164,094	8/1979	Kempka	47/47
4,667,438	5/1987	Corell	47/45
4,922,653	5/1990	Stone	47/45

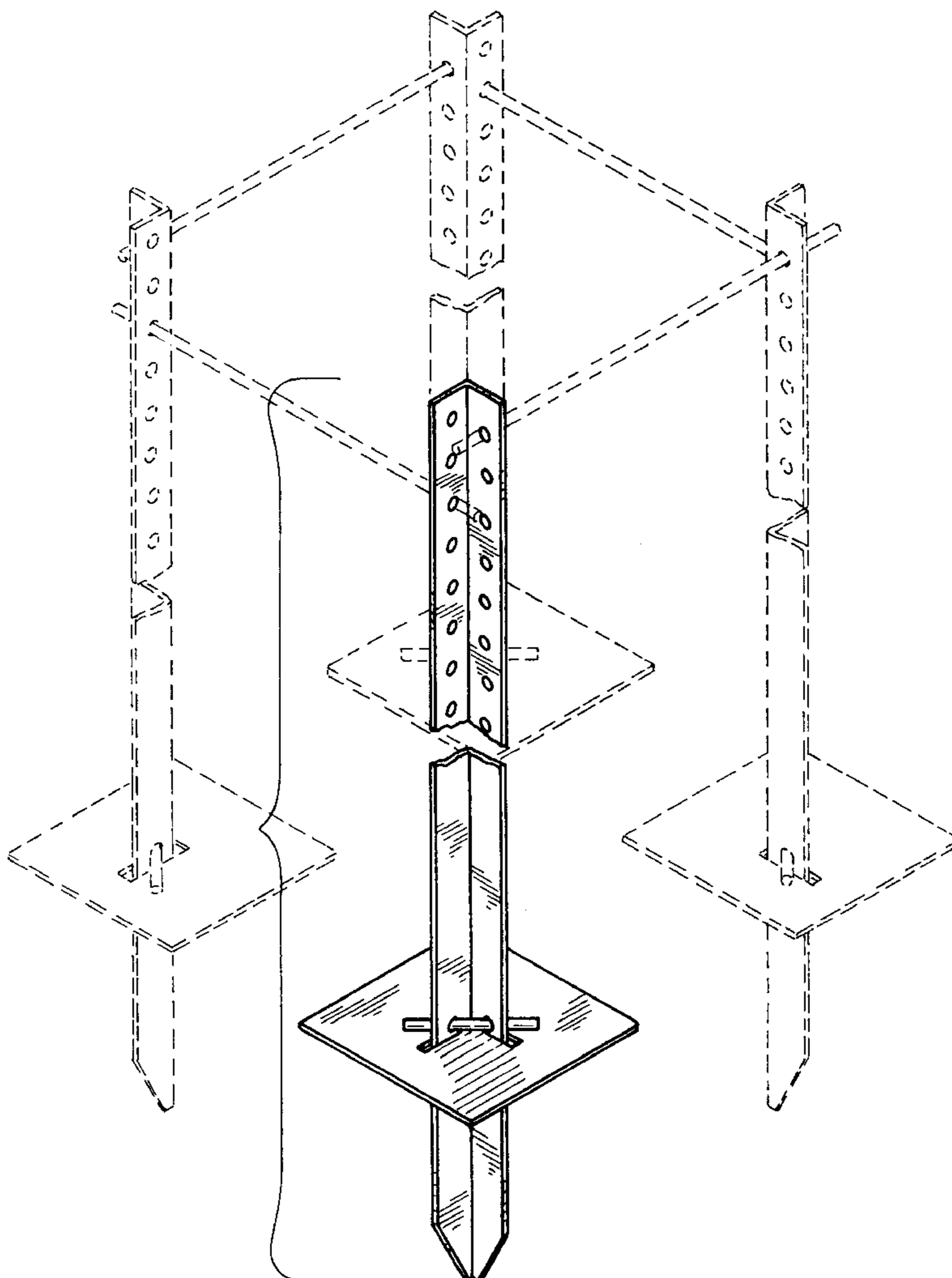
FIG. 2 is a perspective drawing in enlarged view showing front and top views of the vertical stake;

FIG. 3 is a plan drawing in a more enlarged view showing a rear view of the vertical stake; and,

FIG. 4 is a drawing showing a top view of the ground plate and wherein the bottom view is identical.

The plant stake(s) are shown fragmented to indicate indeterminate length.

1 Claim, 4 Drawing Sheets



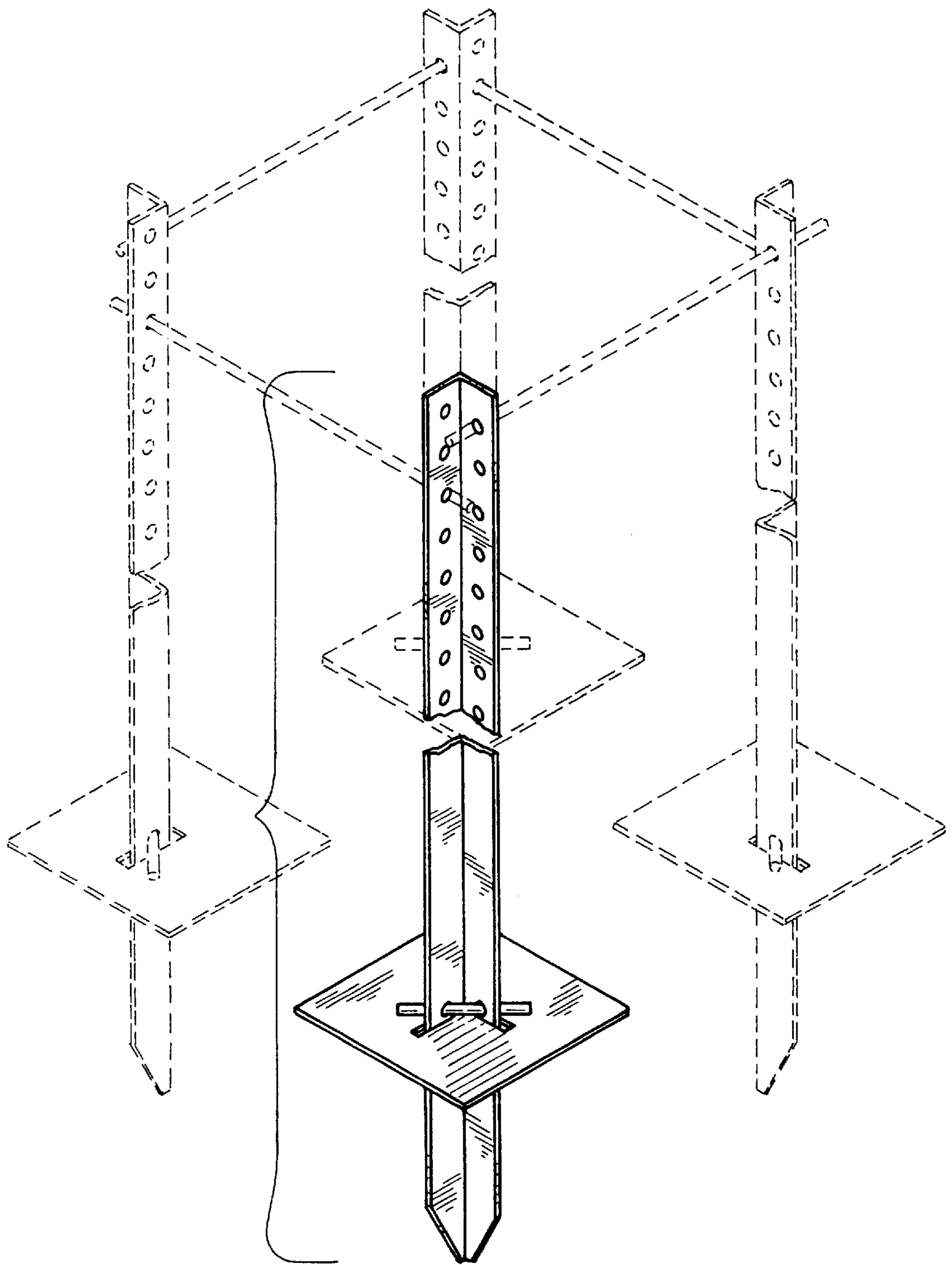


FIG. 1

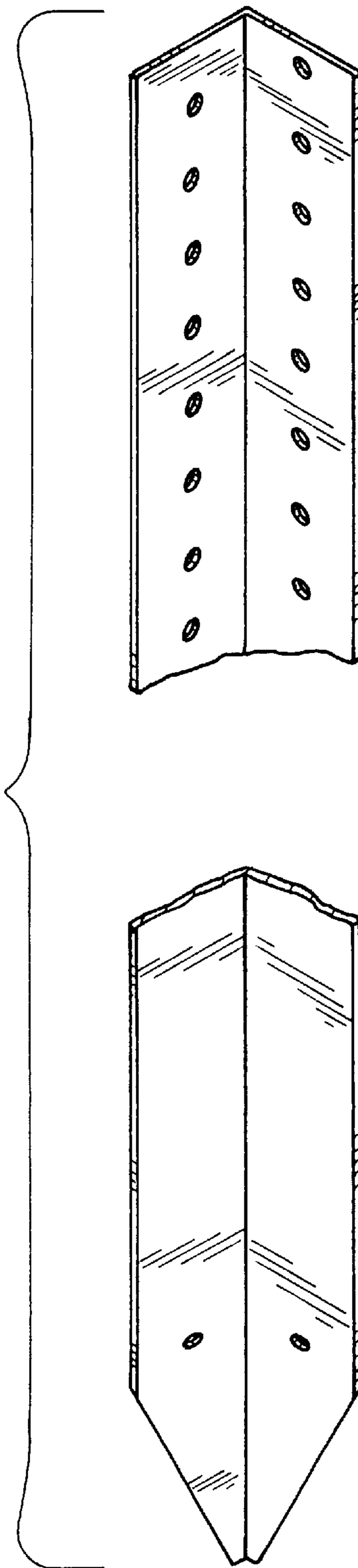


FIG. 2

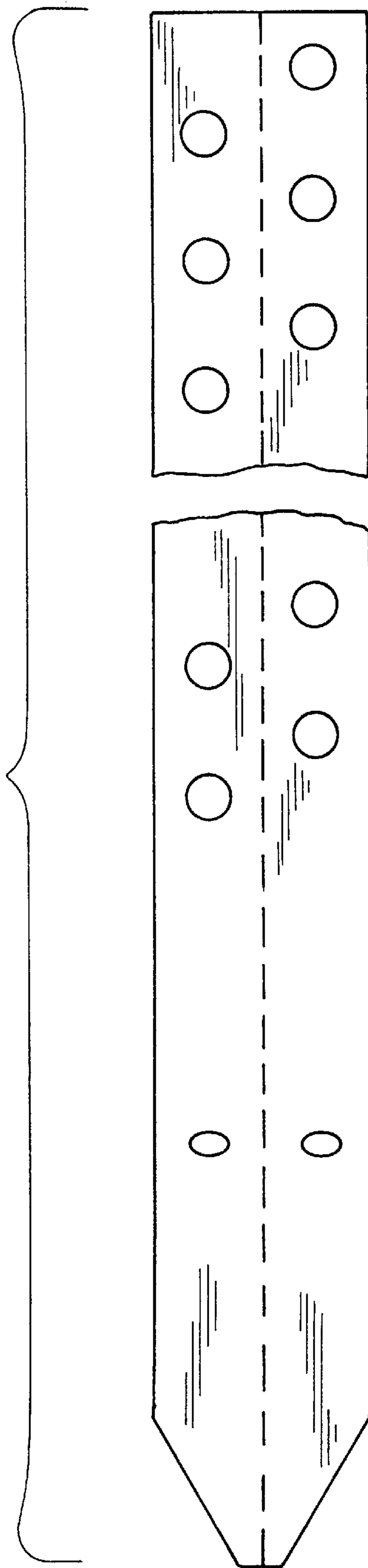


FIG. 3

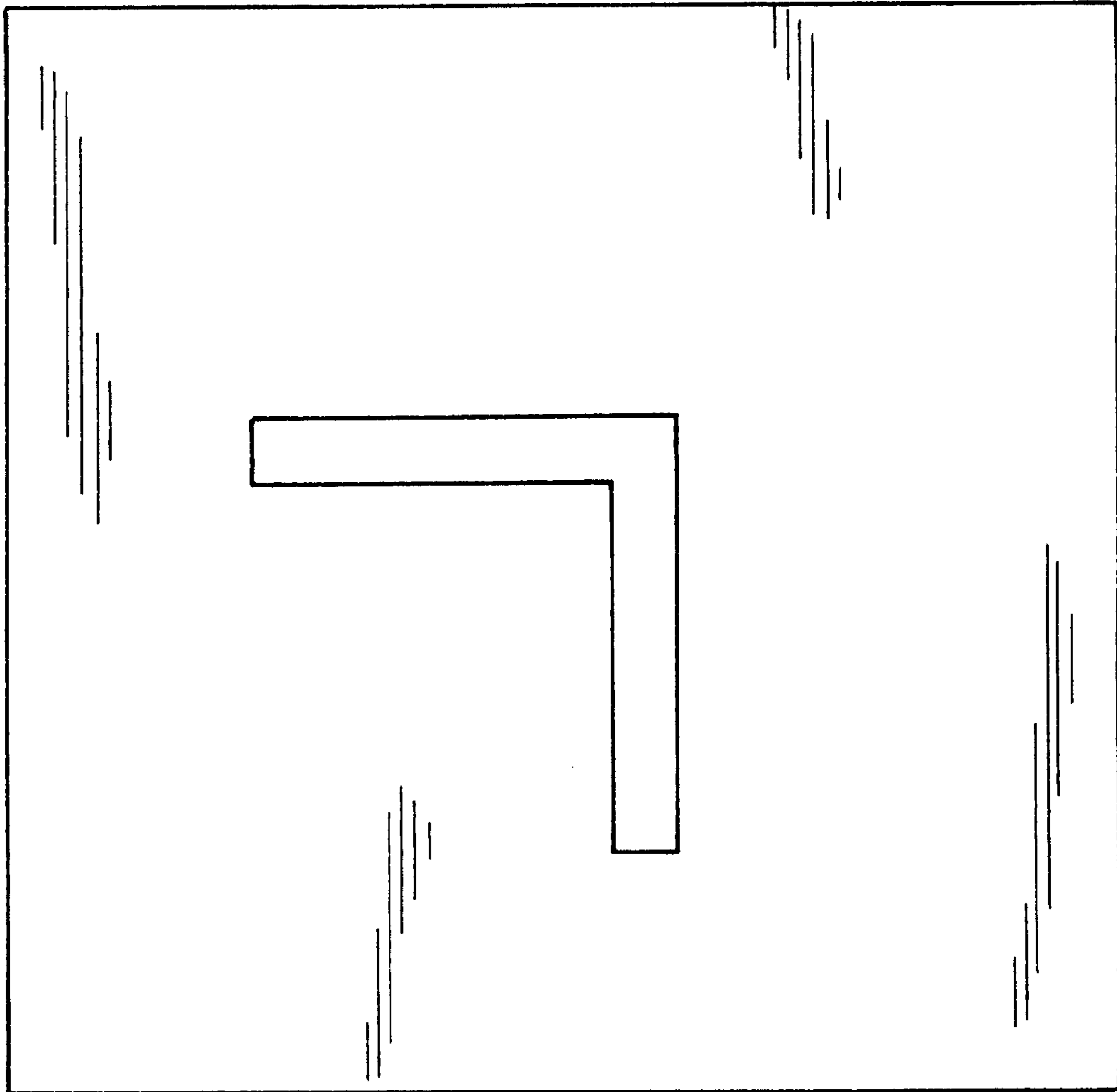


FIG. 4