



US00D432370S

United States Patent [19]
Phetthaweebancha

[11] **Patent Number: Des. 432,370**

[45] **Date of Patent: ** Oct. 24, 2000**

[54] **LUNCH BOX**

[75] Inventor: **Khidkhom Phetthaweebancha,**
Bangkok, Thailand

[73] Assignee: **Contel (Thailand) Co., Ltd.**

[**] Term: **14 Years**

[21] Appl. No.: **29/097,769**

[22] Filed: **Dec. 17, 1998**

[51] **LOC (7) Cl. 03-01**

[52] **U.S. Cl. D7/709**

[58] **Field of Search** D7/709, 710, 605;
D3/200, 201, 203, 215, 273, 274, 276;
62/457.1, 457.7, 371, 372; 206/541-545,
557

[56] **References Cited**

U.S. PATENT DOCUMENTS

D. 336,409 6/1993 Kahl et al. D7/709

D. 346,489 5/1994 Bean et al. D7/709
D. 393,784 4/1998 Lee D7/709
3,025,947 3/1962 Hammer 206/545

Primary Examiner—Terry A. Wallace

[57] **CLAIM**

The ornamental design for a lunch box, as shown and described.

DESCRIPTION

FIG. 1 is a top plan view of a lunch box showing my new design;
FIG. 2 is a front elevational view thereof;
FIG. 3 is a right side elevational view thereof;
FIG. 4 is a left side elevational view thereof;
FIG. 5 is a rear elevational view thereof
FIG. 6 is a bottom plan view thereof; and
FIG. 7 is a perspective view thereof; and,
FIG. 8 is a perspective view which the handle is shown in an alternate positions.

1 Claim, 7 Drawing Sheets

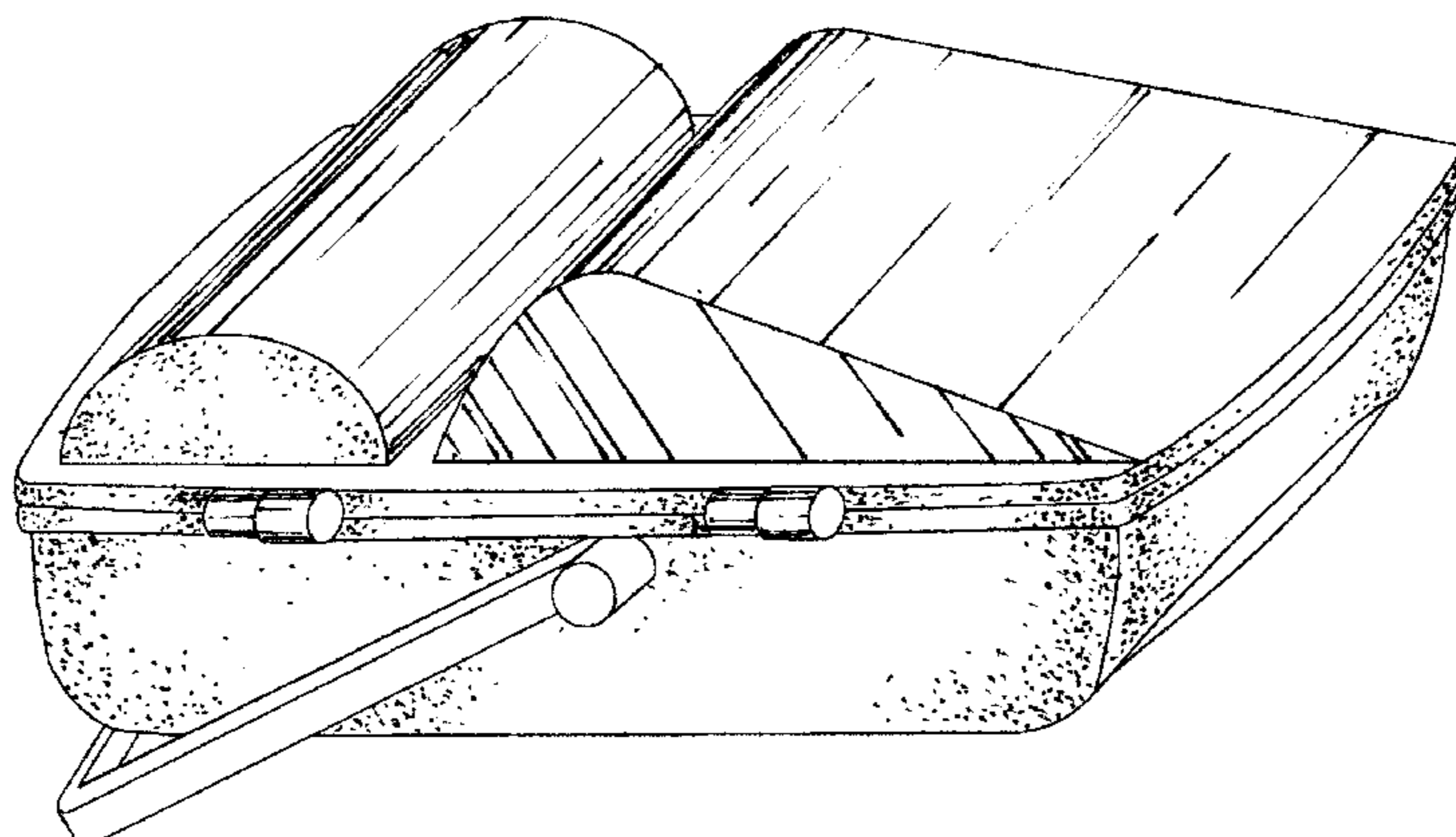
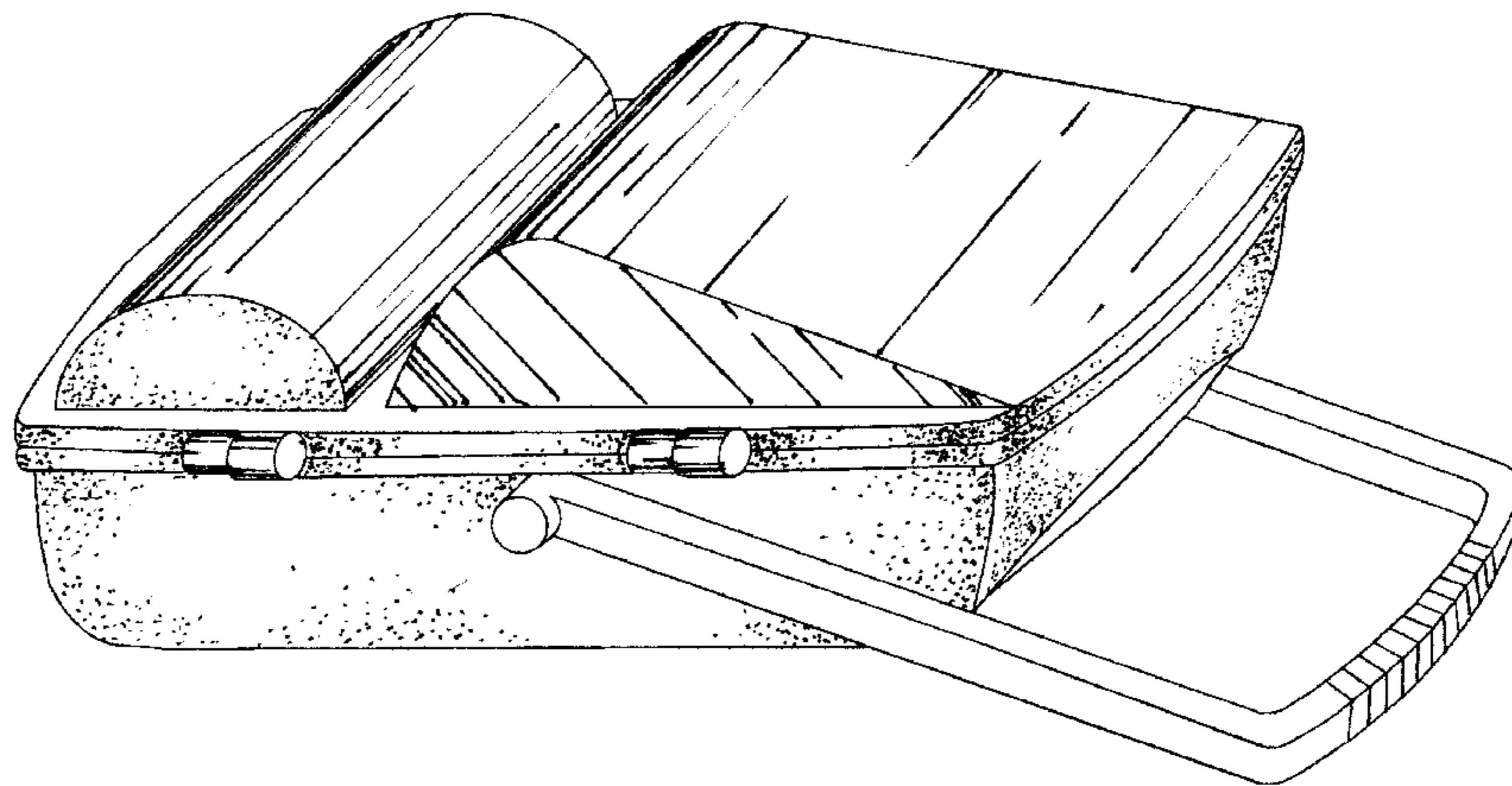


FIG. 1

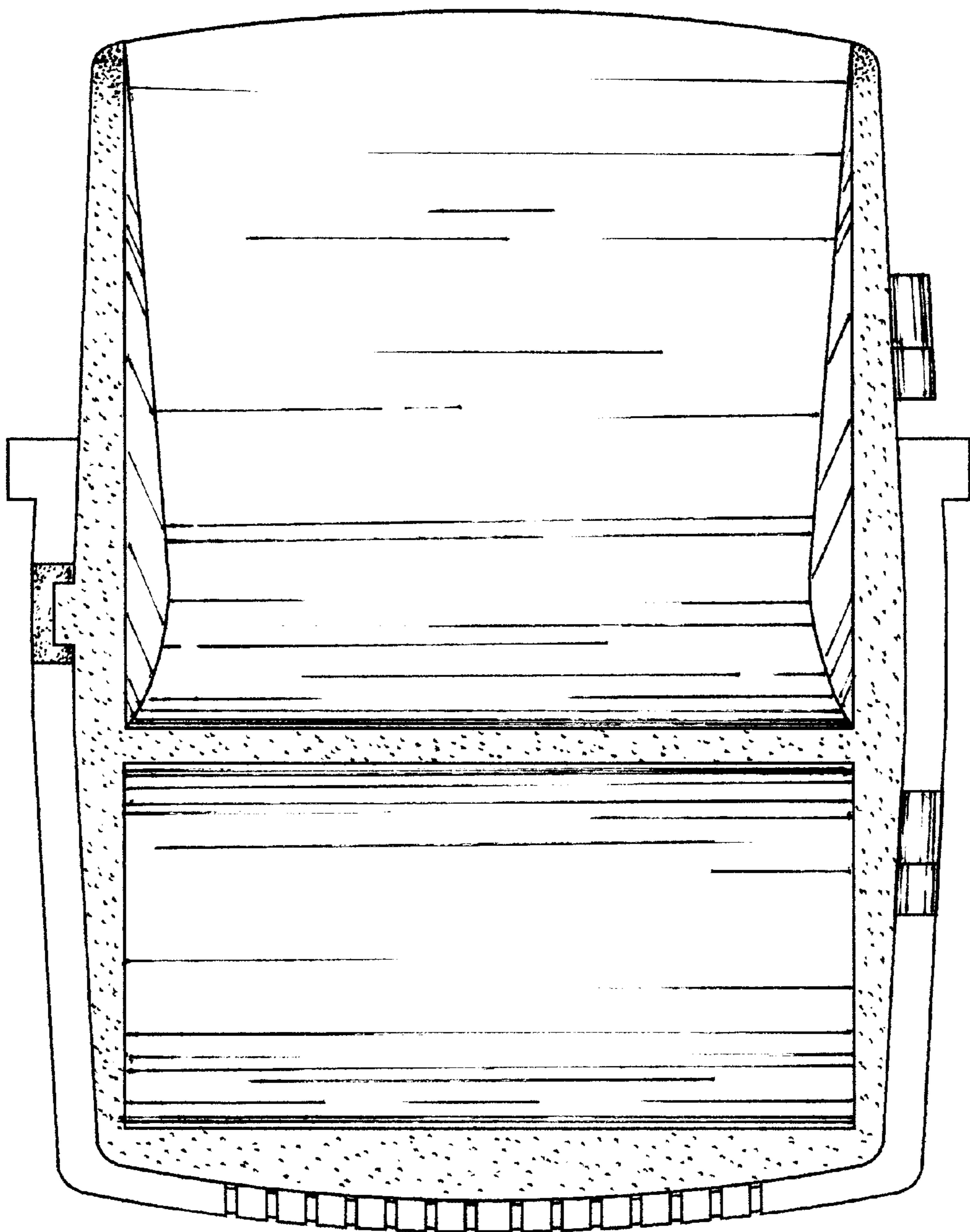


FIG. 2

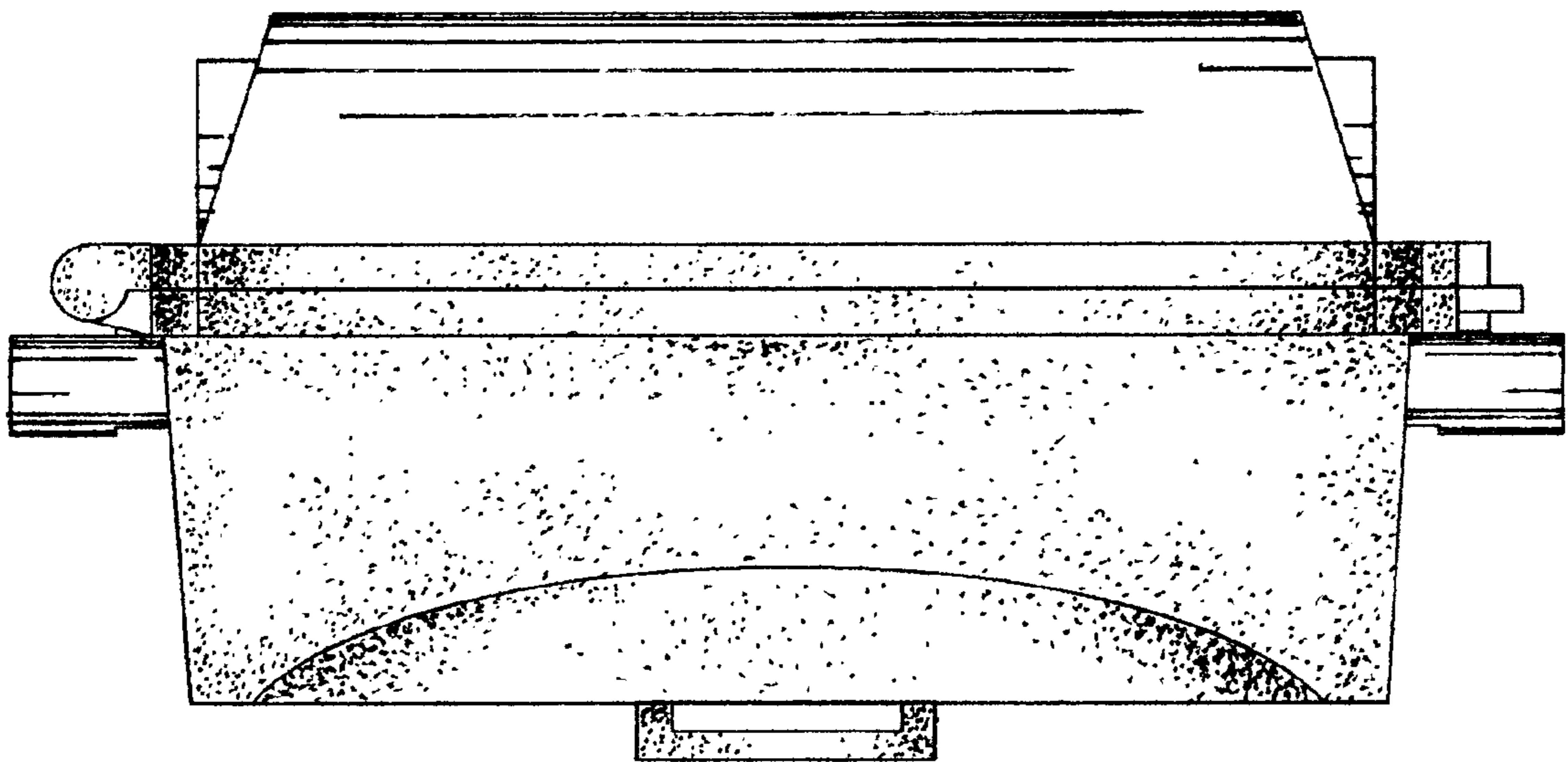


FIG. 3

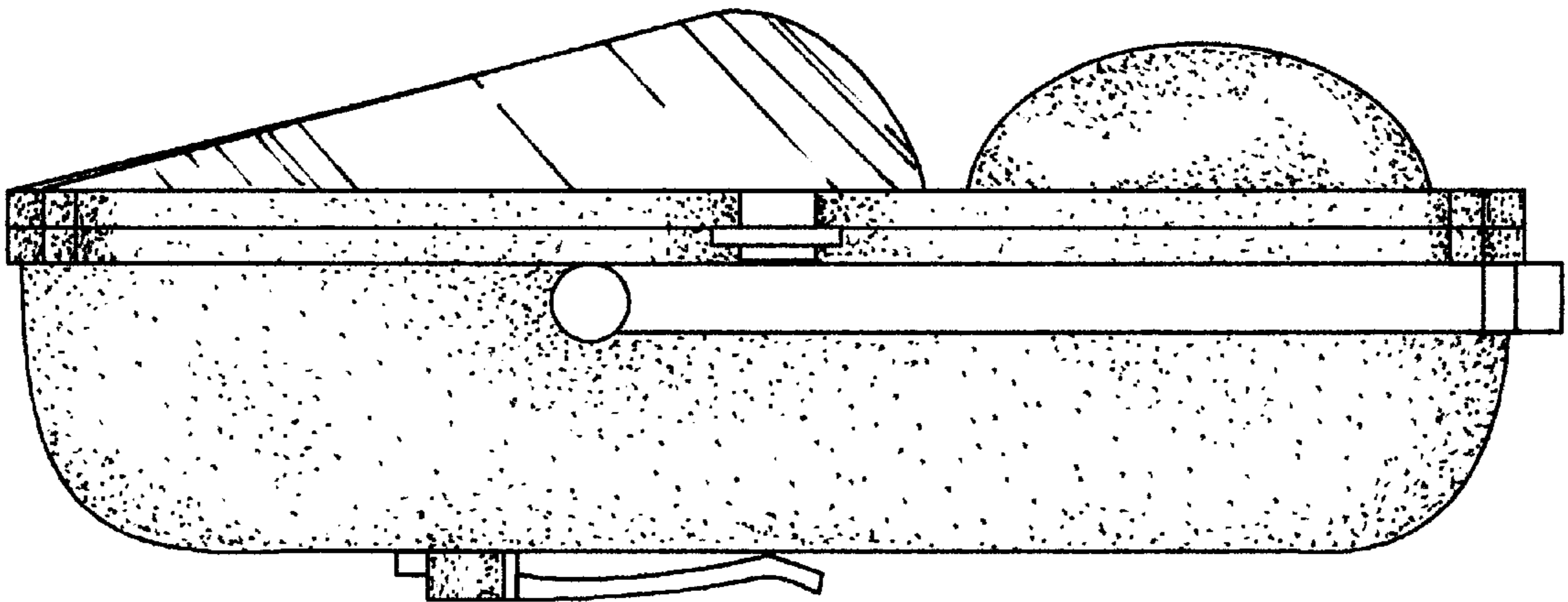


FIG. 4

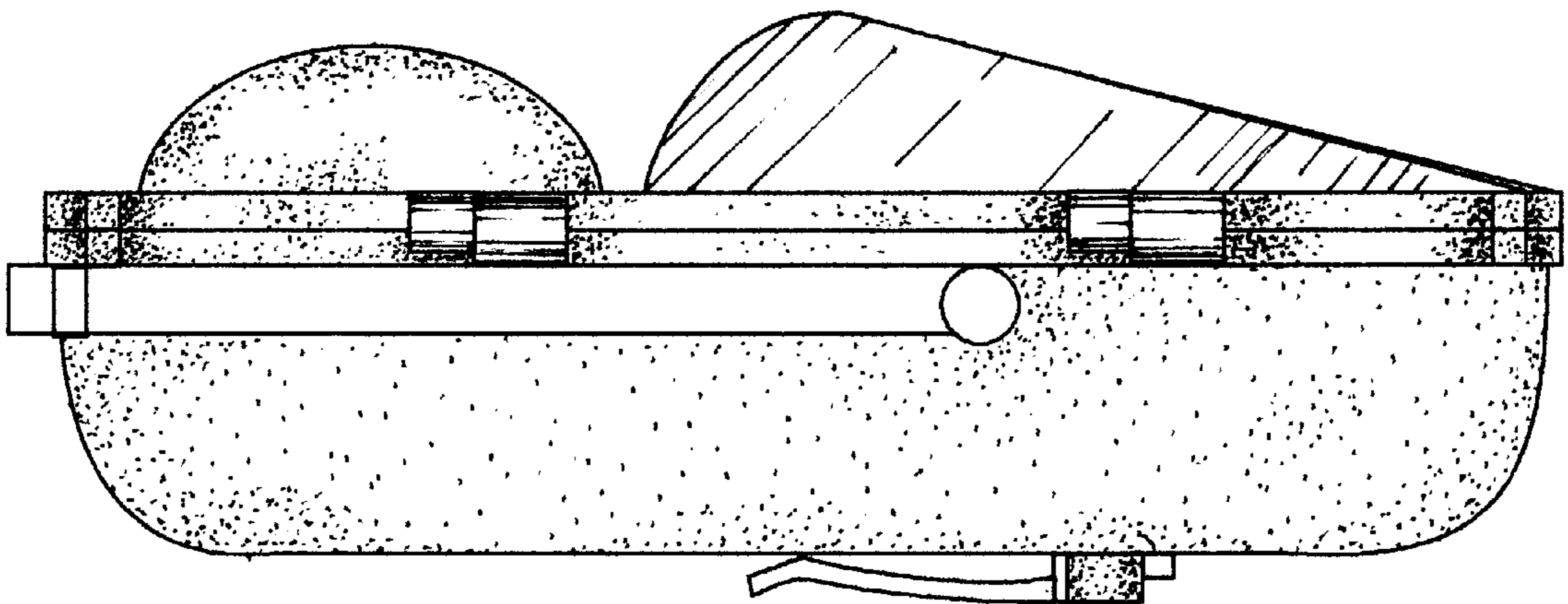


FIG. 5

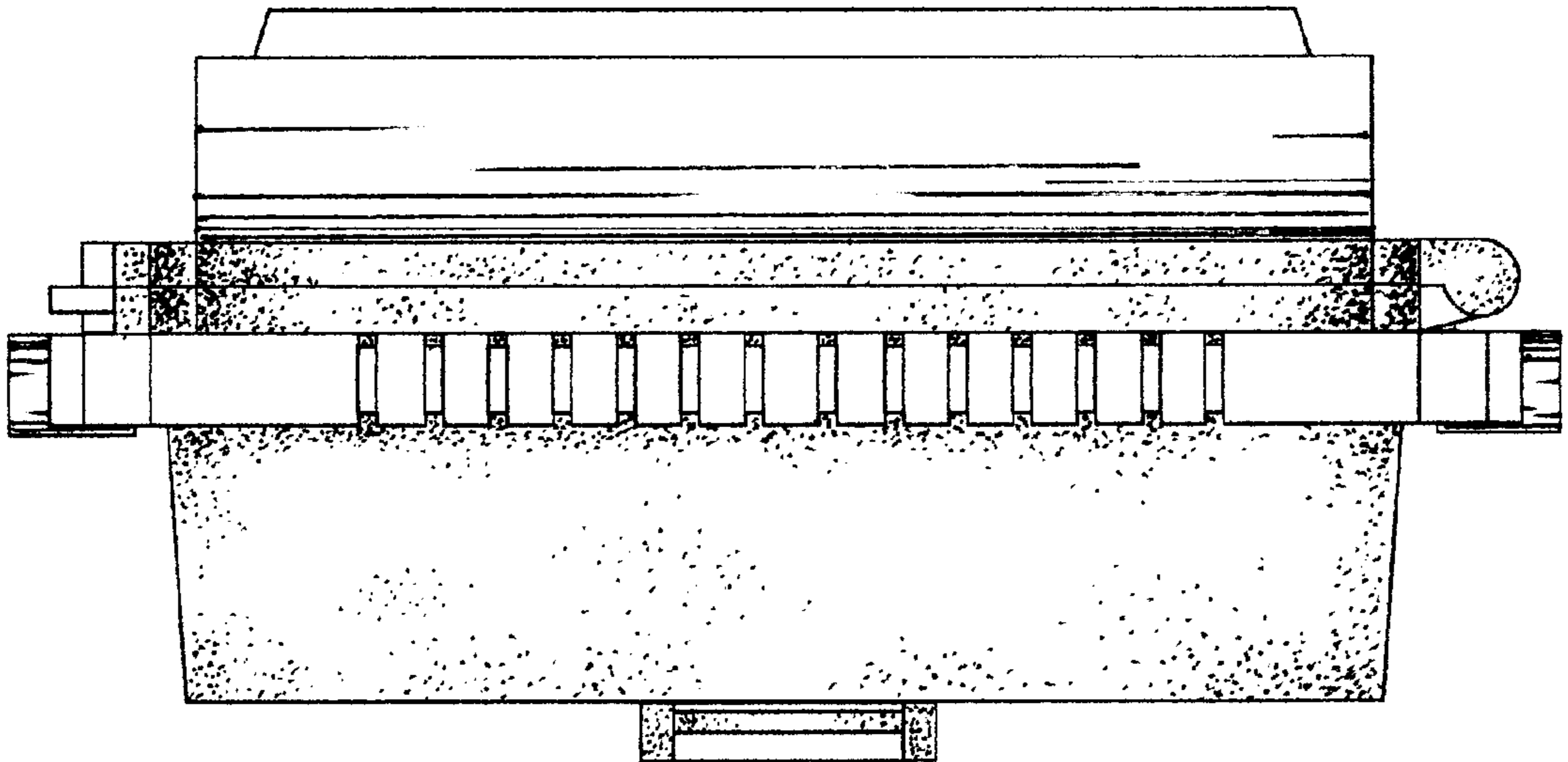


FIG. 6

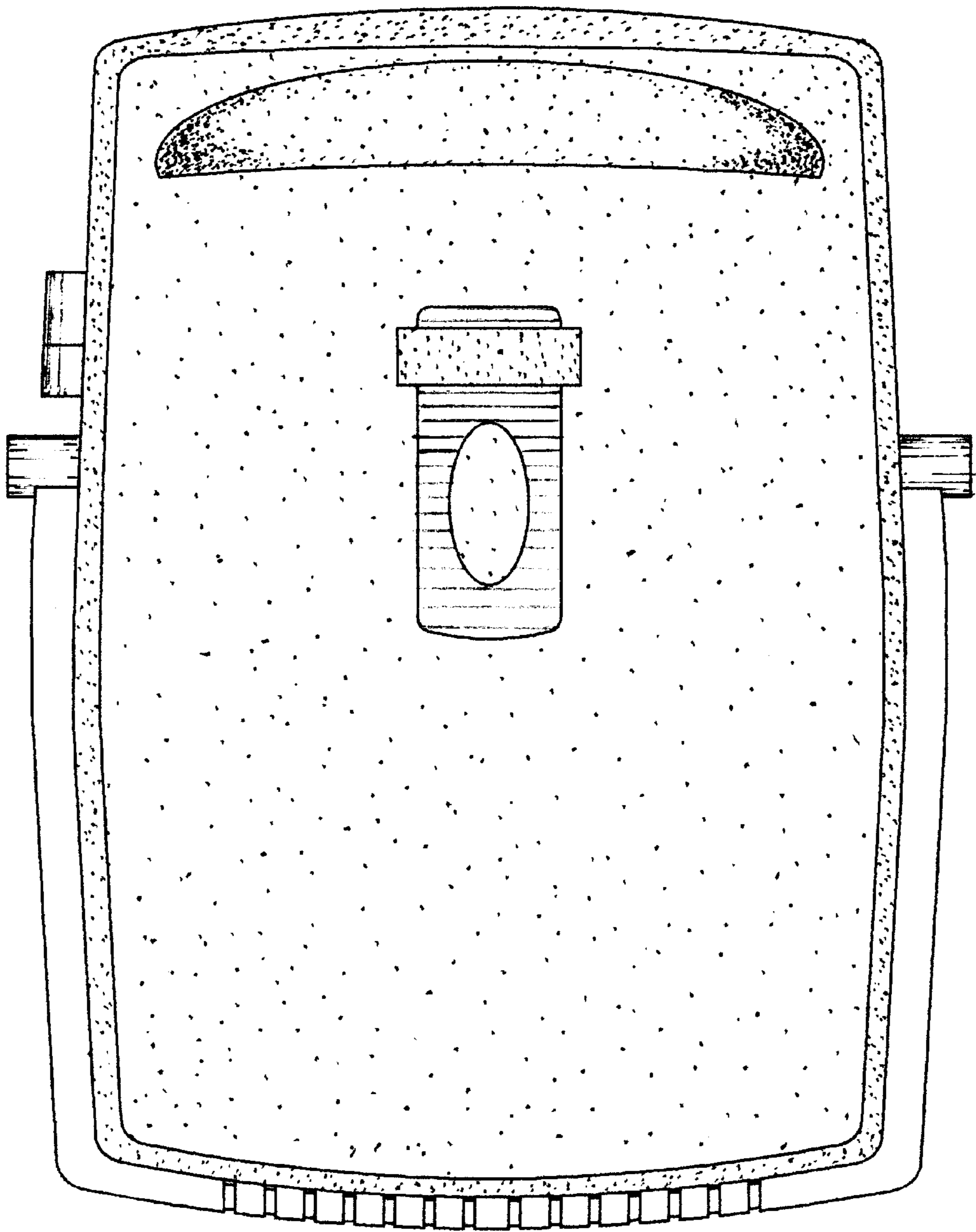


FIG. 7

