



US00D432368S

United States Patent [19]

Kaposi et al.

[11] Patent Number: Des. 432,368

[45] Date of Patent: ** Oct. 24, 2000

[54] IN SINK COLANDER

[75] Inventors: Sascha Kaposi, Seattle; Dennis M Terenzio, Mercer Island, both of Wash.

[73] Assignee: Progressive International Corporation, Kent, Wash.

[**] Term: 14 Years

[21] Appl. No.: 29/104,884

[22] Filed: May 13, 1999

[51] LOC (7) Cl. 07-04

[52] U.S. Cl. D7/667

[58] Field of Search D7/356, 400, 667; 99/403, 426; 210/464, 465, 469, 470, 472-474, 477, 497.01, 498, 499

[56] References Cited

U.S. PATENT DOCUMENTS

- D. 385,756 11/1997 Licari D7/667
- D. 396,609 8/1998 Licari D7/667

Primary Examiner—Terry A. Wallace

Attorney, Agent, or Firm—John R. Benefiel

[57] CLAIM

The ornamental design for an in sink colander, as shown and described.

DESCRIPTION

FIG. 1 is a perspective view of an in sink colander according to the present invention attached to a faucet handle shown in phantom lines.

FIG. 2 is a top view of the in sink colander shown in FIG. 1.

FIG. 3 is a front view of the in sink colander shown in FIGS. 1-3.

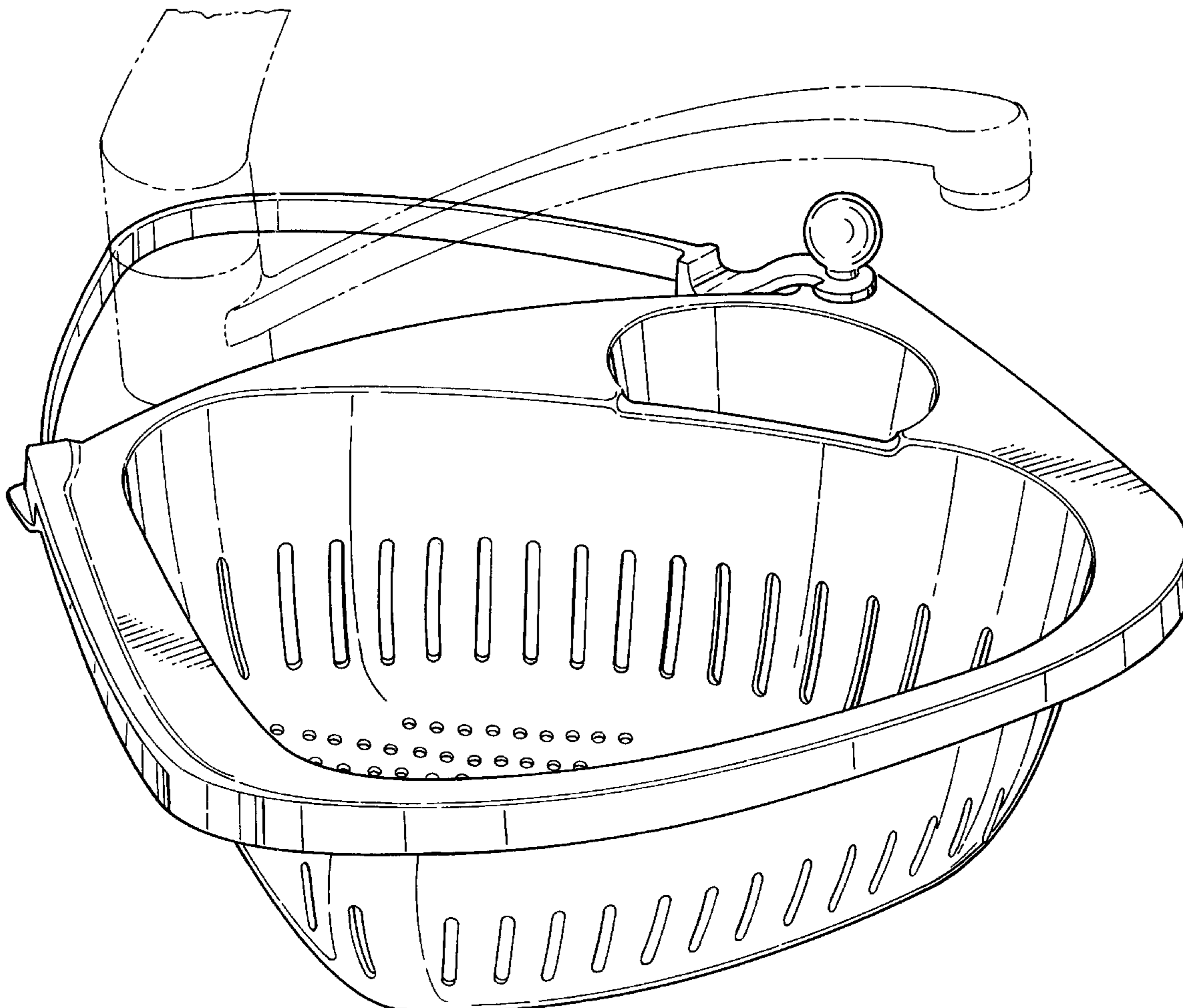
FIG. 4 is a rear view of the in sink colander shown in FIGS. 1-5.

FIG. 5 is a bottom view of the in sink colander shown in FIGS. 1 and 2.

FIG. 6 is a right side view of the in sink colander shown in FIGS. 1-6; and,

FIG. 7 is a left side view of the in sink colander shown in FIGS. 1-4.

1 Claim, 6 Drawing Sheets



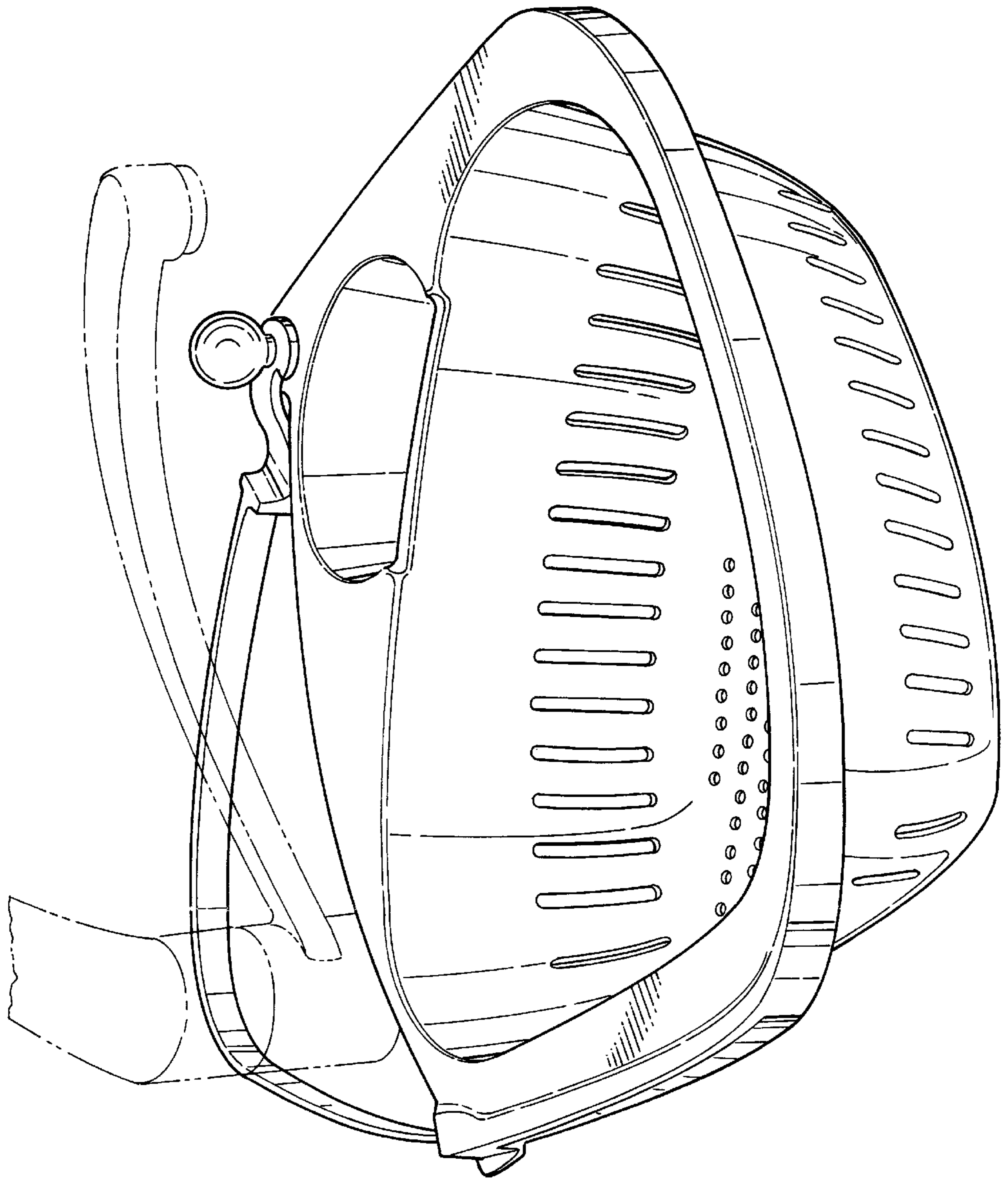


FIG-1

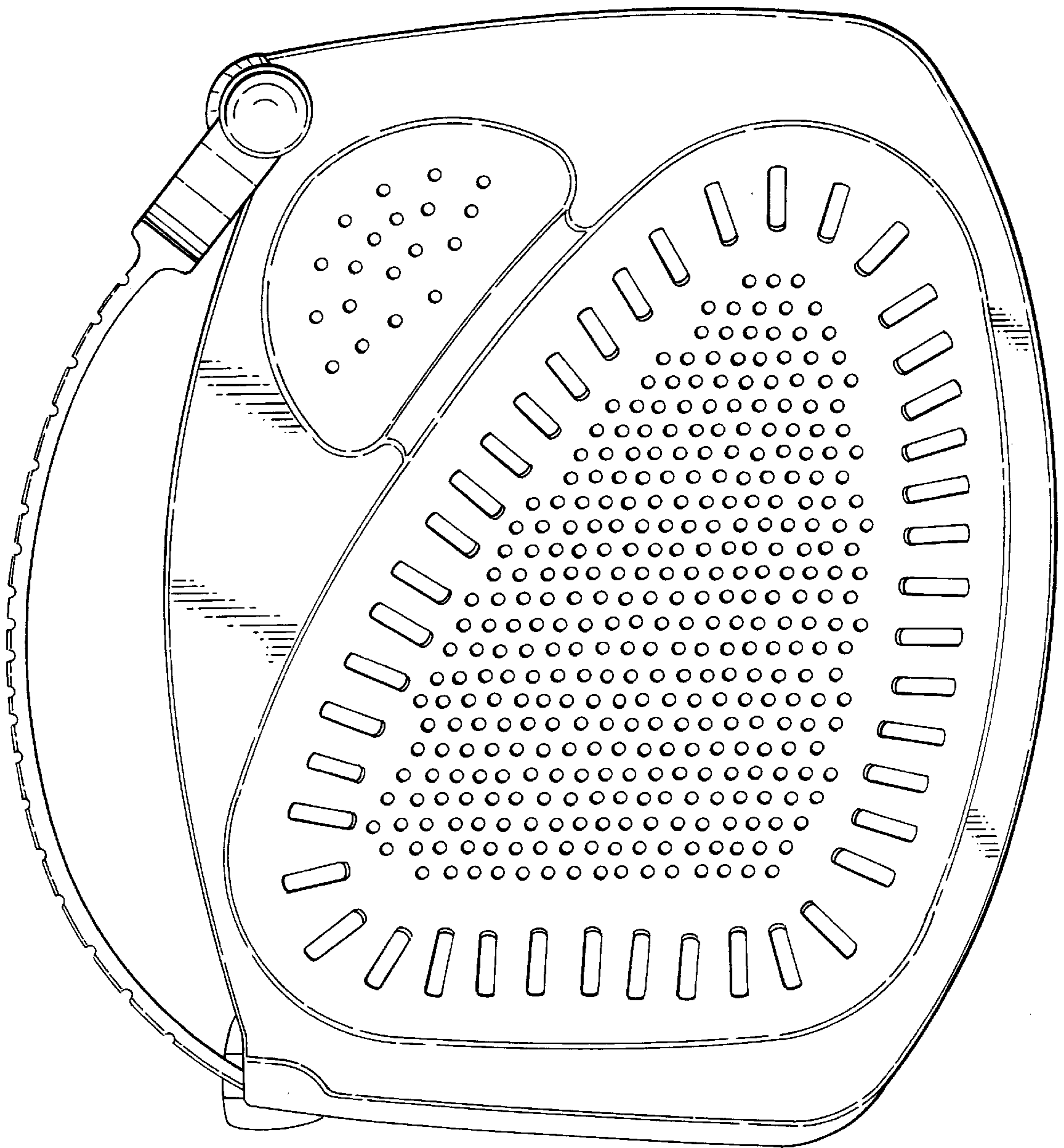


FIG-2

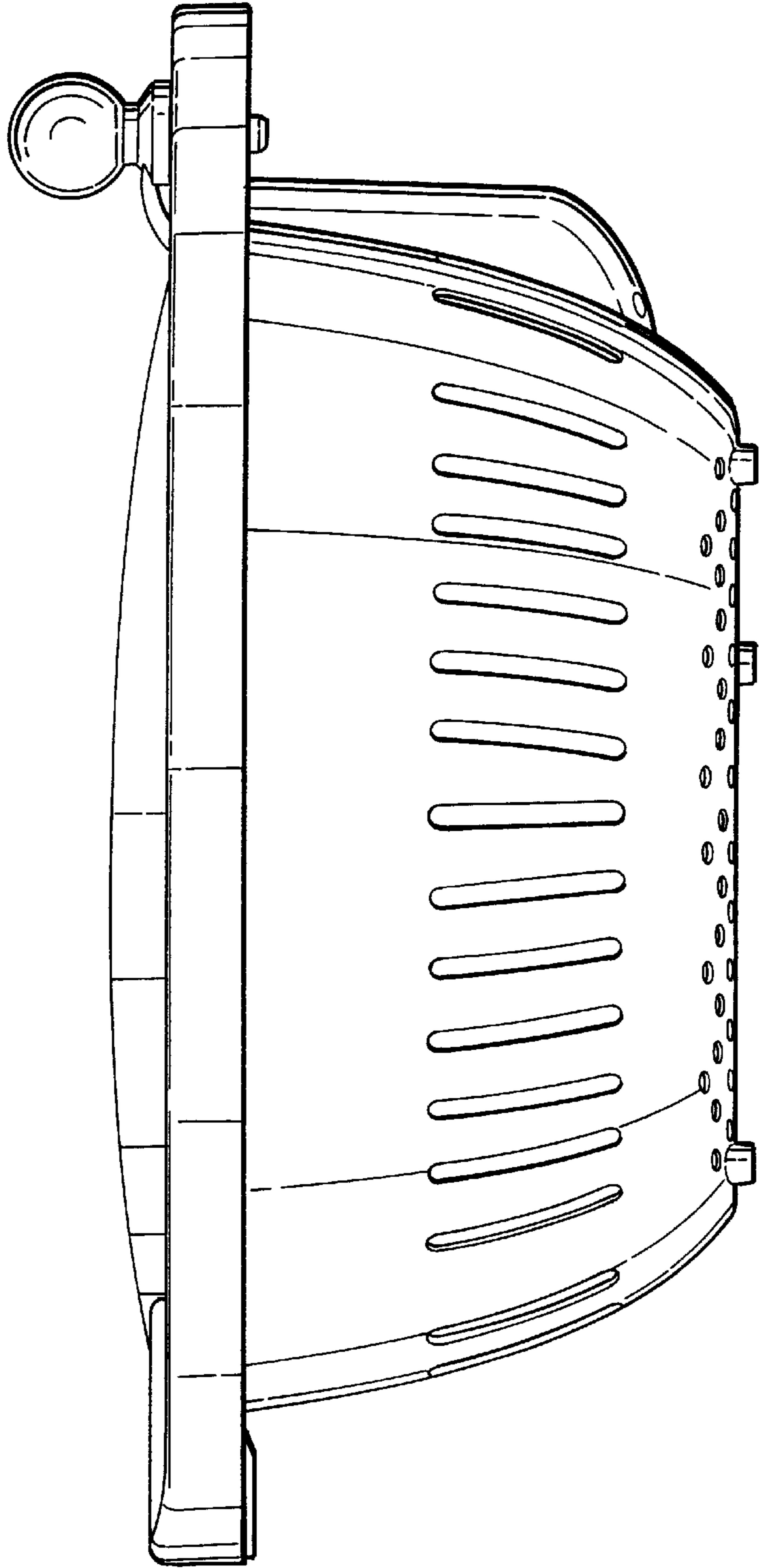


FIG-3

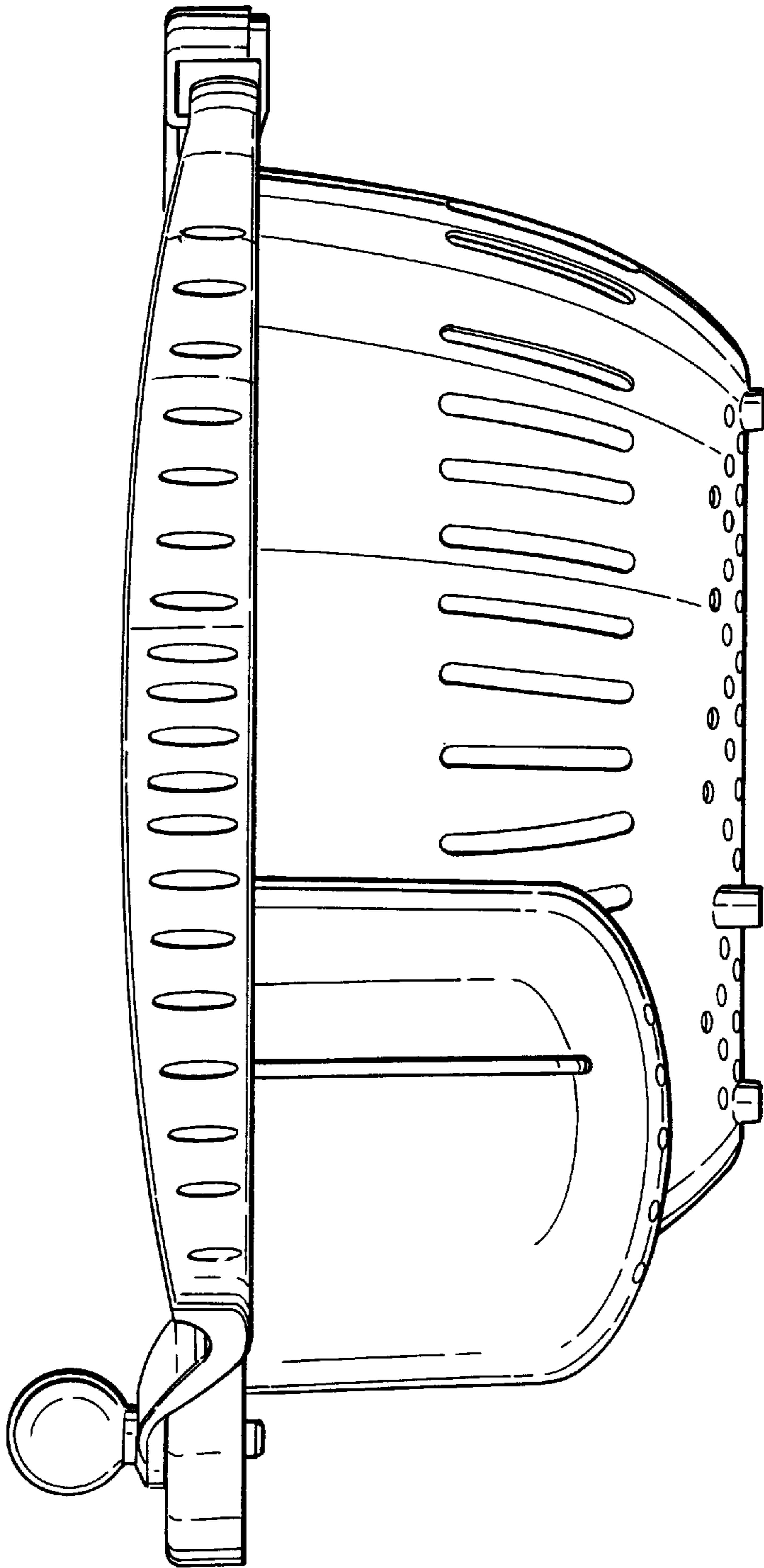


FIG-4

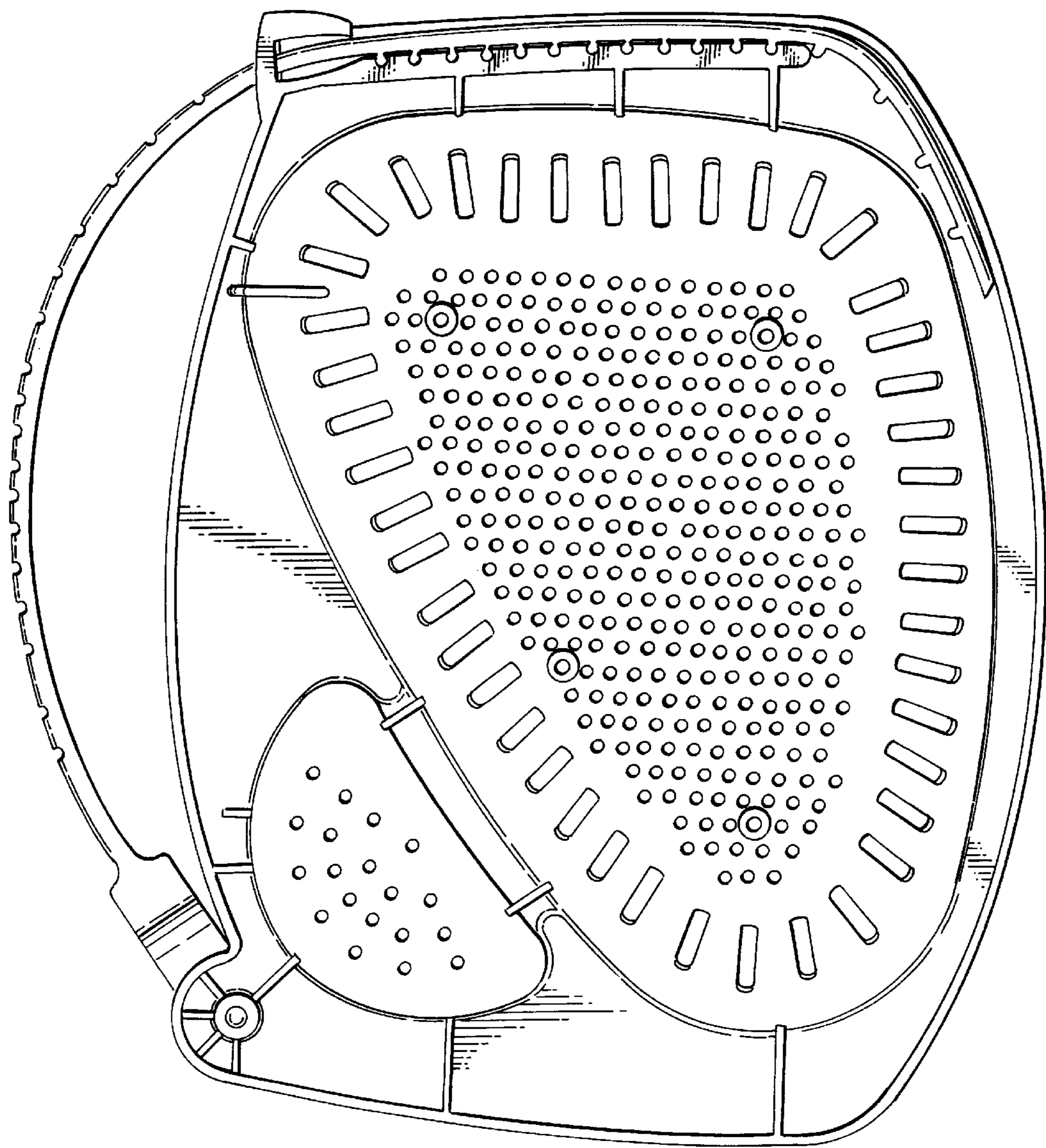


FIG-5

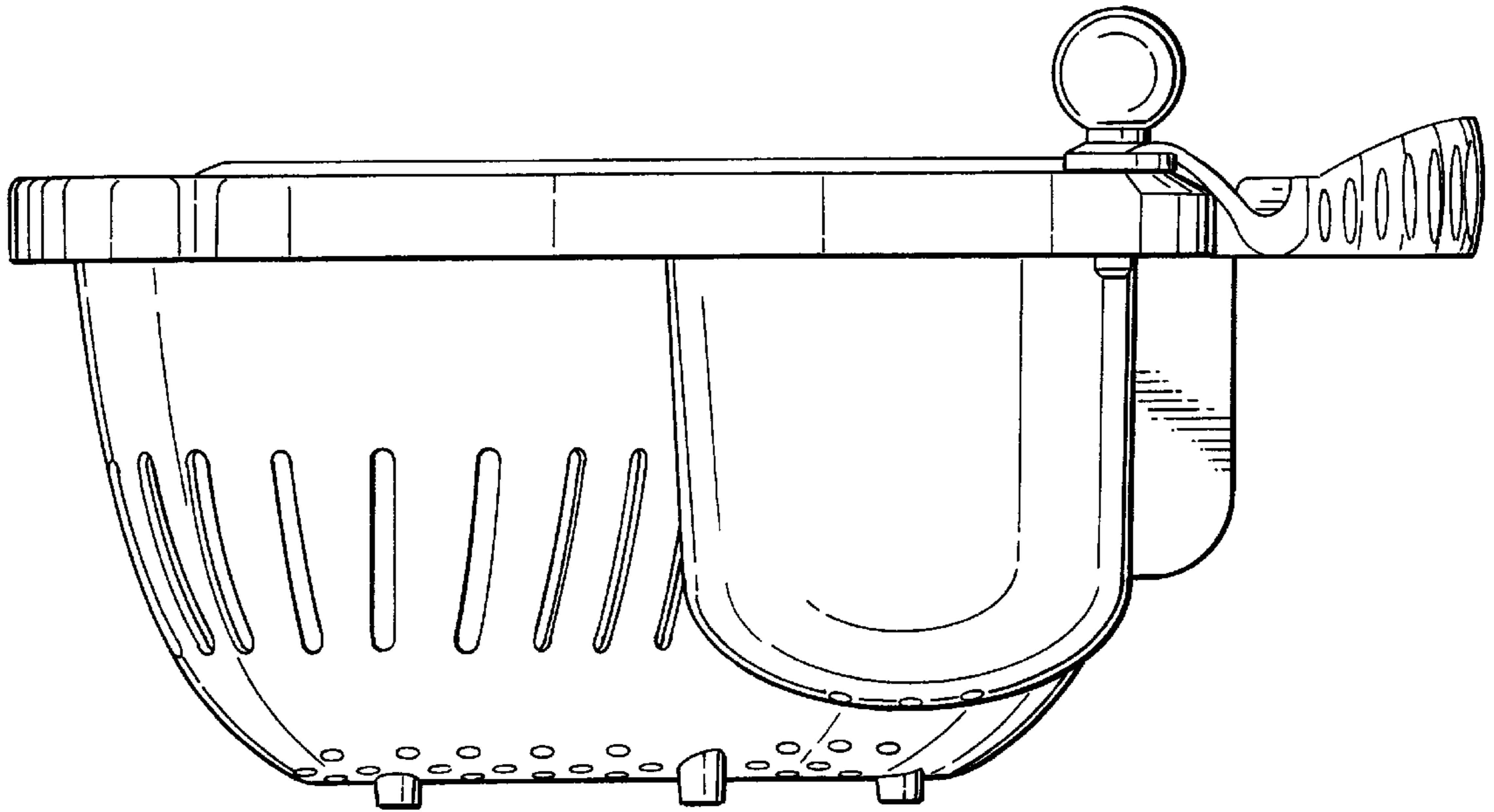


FIG-6

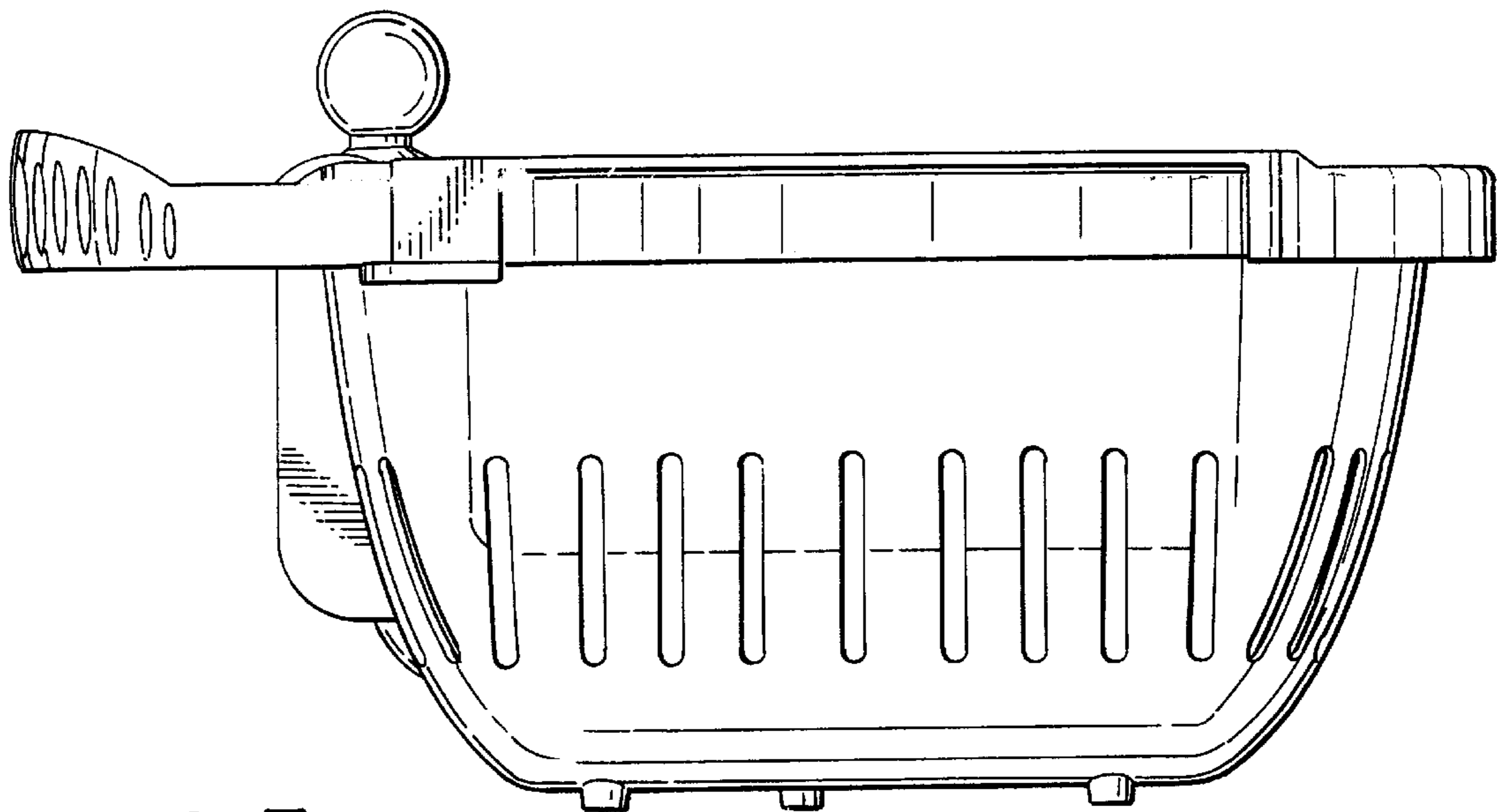


FIG-7