



US00D432366S

# United States Patent [19]

[11] **Patent Number: Des. 432,366**

**Worsley et al.**

[45] **Date of Patent: \*\* Oct. 24, 2000**

[54] **CONTAINER**

*Primary Examiner*—Terry A. Wallace  
*Attorney, Agent, or Firm*—Wood, Phillips, VanSanten, Clark & Mortimer

[75] Inventors: **Anthony Worsley**, Suffolk; **Martin Gaze**, Slough; **Terry Gander**, Slough; **De Kinsellar**, Slough; **Stuart Banham**, Slough, all of United Kingdom

[57] **CLAIM**

The ornamental design for the container, as shown and described.

[73] Assignee: **Thermos Limited**, Brentwood, United Kingdom

**DESCRIPTION**

[\*\*] Term: **14 Years**

FIG. 1 is a front view of the ornamental design of the container.

[21] Appl. No.: **29/100,345**

FIG. 2 is a rear view of the ornamental design of the container.

[22] Filed: **Feb. 9, 1999**

[51] **LOC (7) Cl.** ..... **07-01**

FIG. 3 is a side elevational view of the ornamental design of the container.

[52] **U.S. Cl.** ..... **D7/608**

[58] **Field of Search** ..... D7/605–608; D9/503, D9/504, 557; 62/457.1; 215/6, 12.1, 13.1; 220/592.16, 592.2, 592.27

FIG. 4 is a top view of the ornamental design of the container; and,

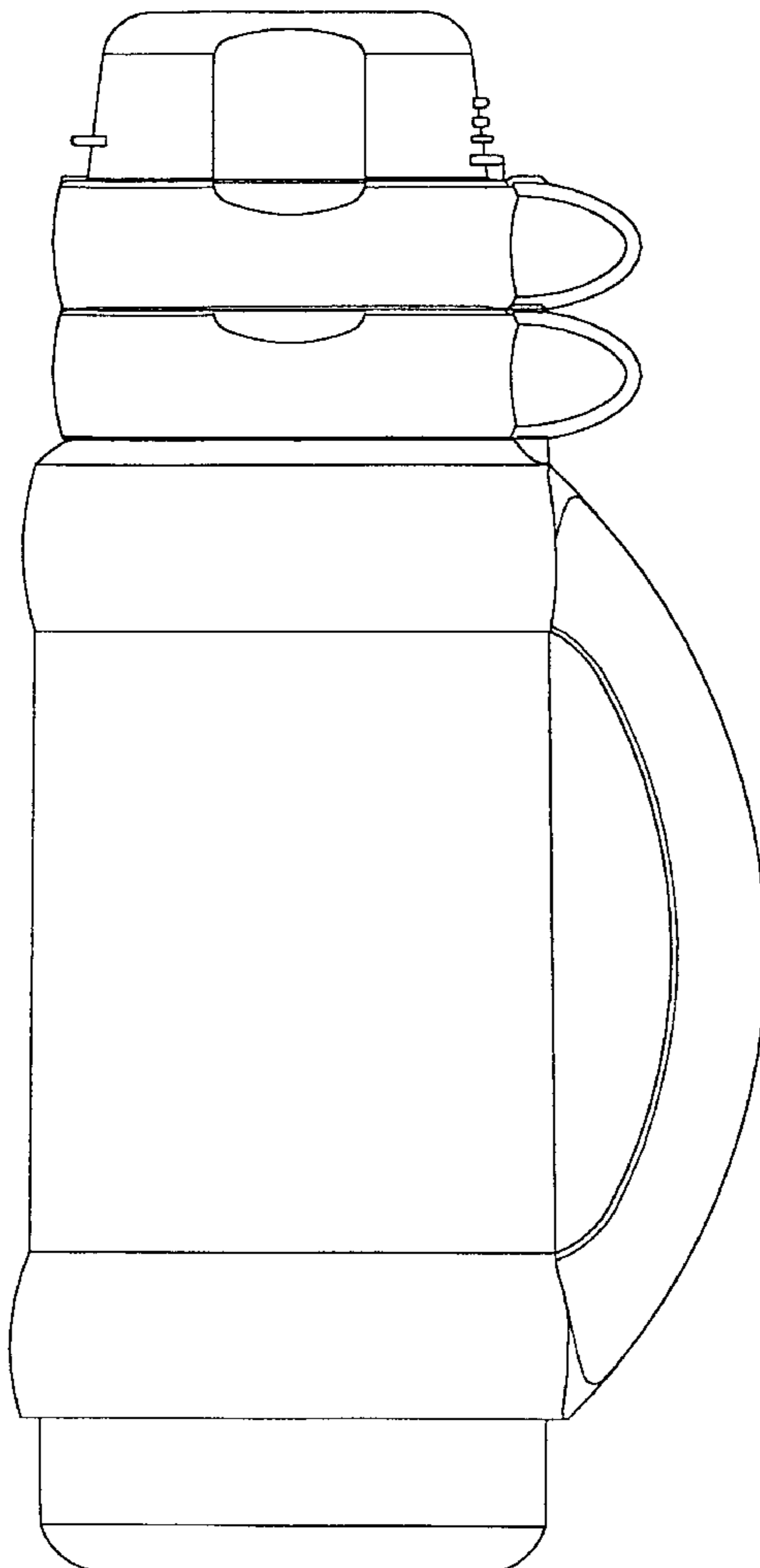
FIG. 5 is a bottom view of the ornamental design of the container.

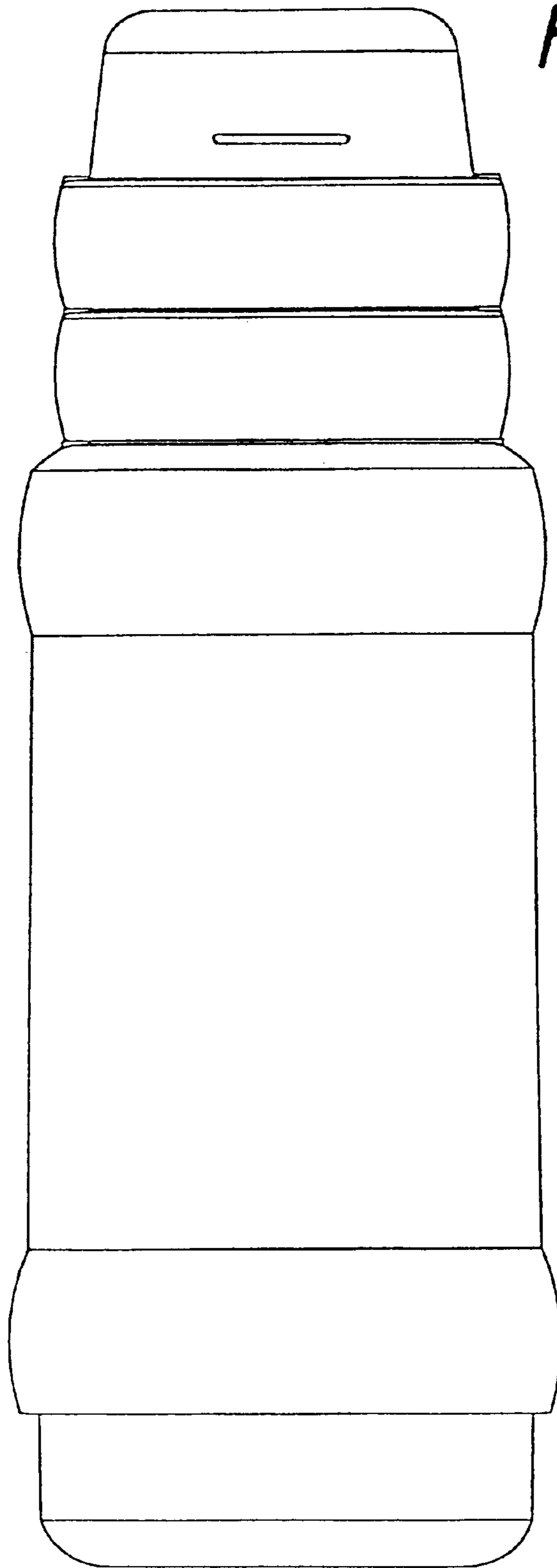
[56] **References Cited**

**U.S. PATENT DOCUMENTS**

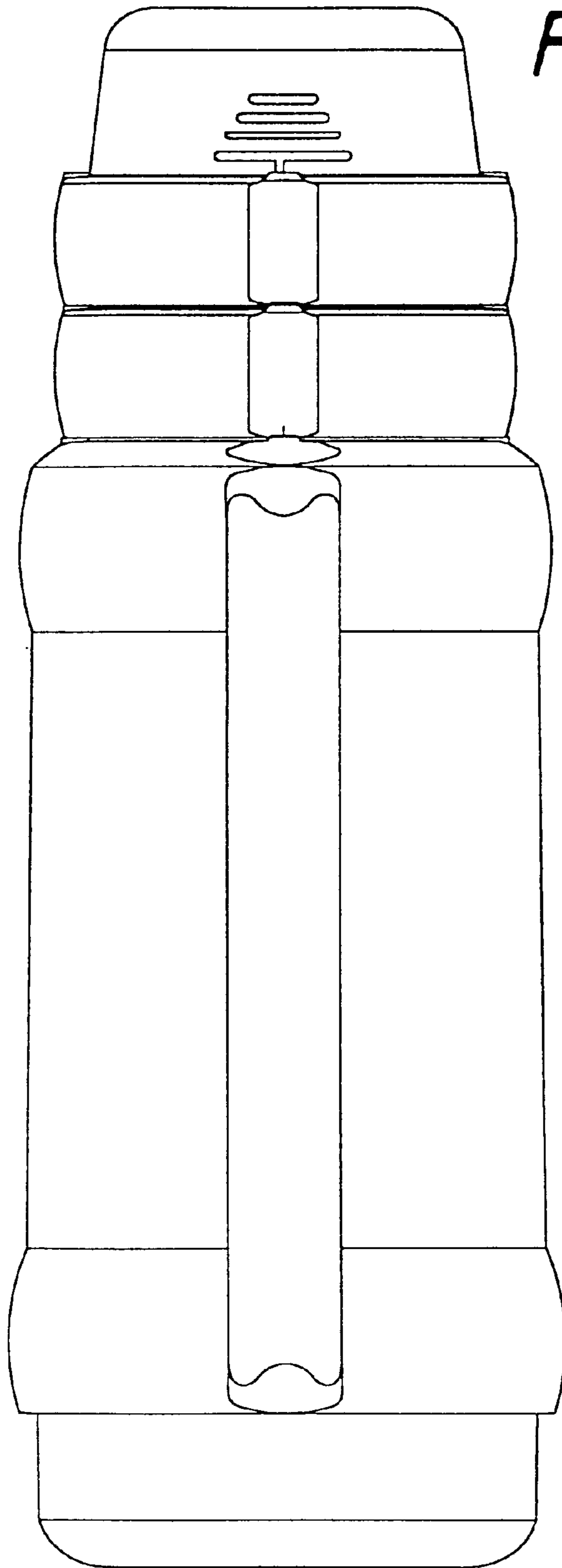
D. 377,435 1/1997 Dettmar et al. .... D7/605

**1 Claim, 4 Drawing Sheets**

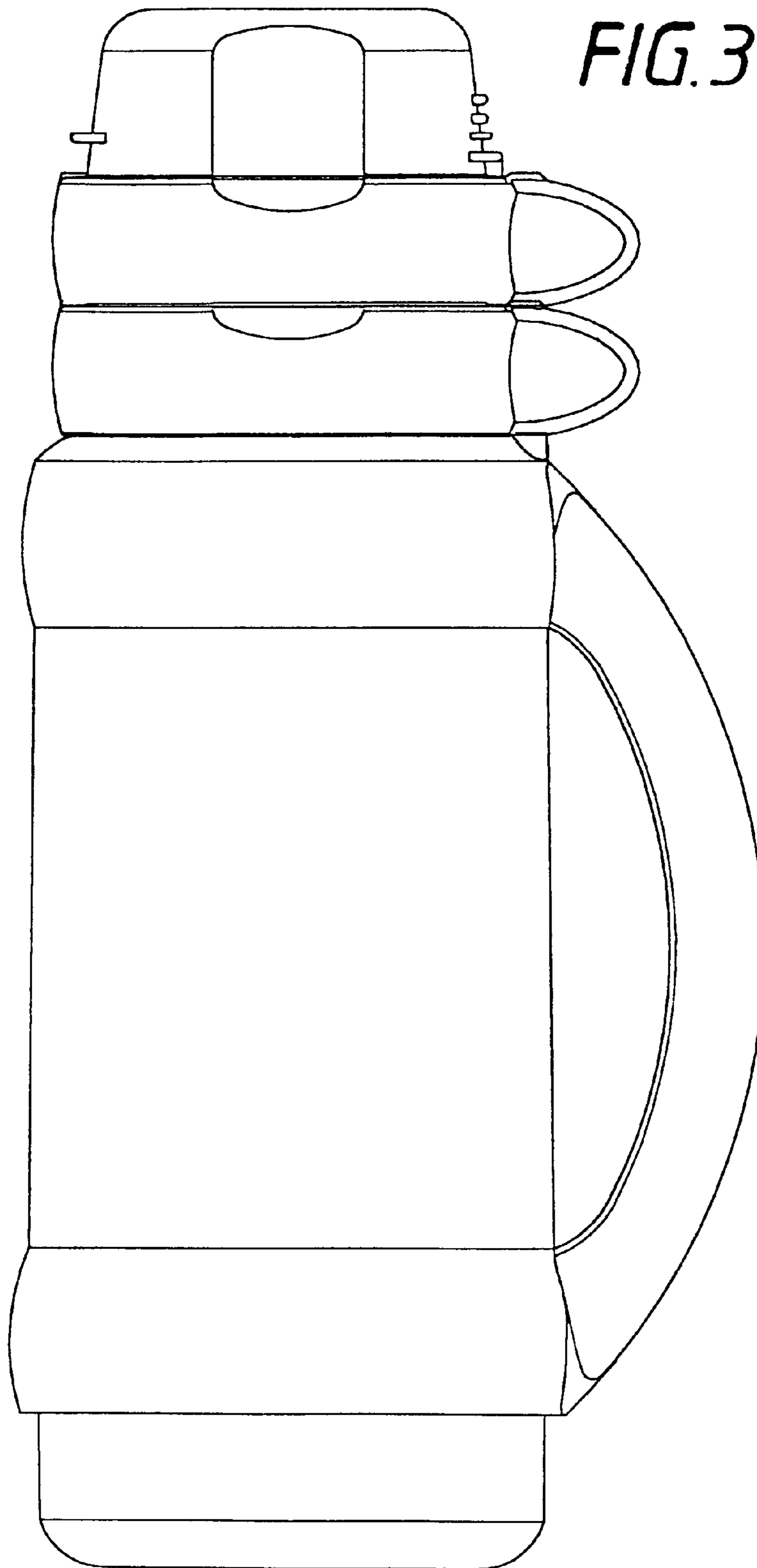




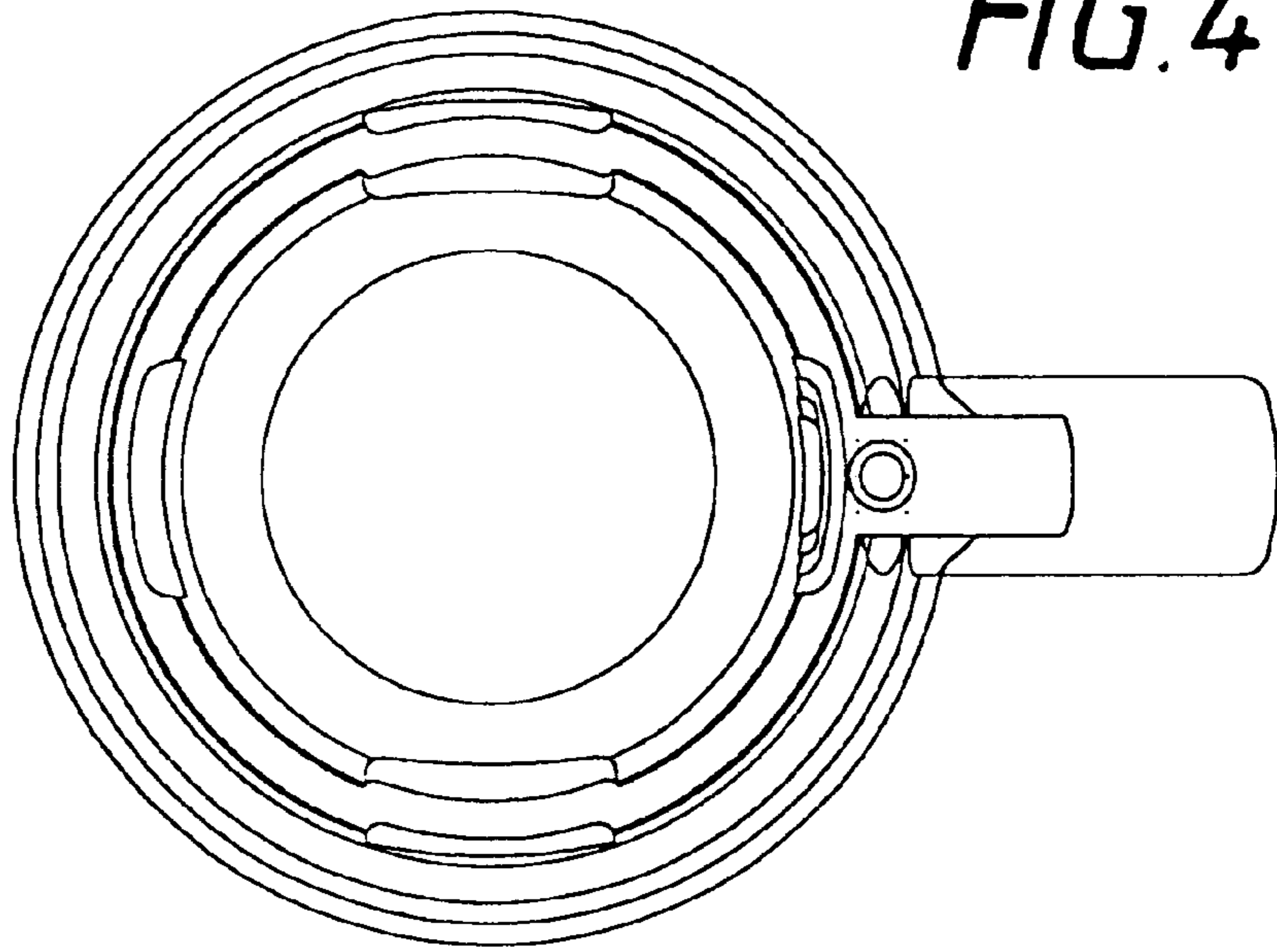
*FIG. 1*



*FIG. 2*



*FIG. 4*



*FIG. 5*

