



US00D432364S

United States Patent [19]
Hansen

[11] **Patent Number: Des. 432,364**

[45] **Date of Patent: ** Oct. 24, 2000**

[54] **PICNIC/PARTY COOLER**

[76] Inventor: **Gregory J. H. Hansen**, 4 E. 64th St.,
New York, N.Y. 10021

[**] Term: **14 Years**

[21] Appl. No.: **29/121,009**

[22] Filed: **Mar. 30, 2000**

Related U.S. Application Data

[62] Division of application No. 29/100,674, Feb. 16, 1999.

[51] **LOC (7) Cl.** **07-07**

[52] **U.S. Cl.** **D7/606; D9/500**

[58] **Field of Search** D7/605, 606; D9/500,
D9/503; 215/12.1, 12.2, 13.1; 220/592.16,
592.24-592.27, 915.1, 915.2

[56] **References Cited**

U.S. PATENT DOCUMENTS

- D. 232,417 8/1974 Macko D9/503
- D. 357,864 5/1995 Rusnock et al. D9/500
- D. 358,966 6/1995 Ochs .
- D. 360,340 7/1995 Hitch et al. .
- D. 374,176 10/1996 Sillince et al. D9/500 X
- D. 393,778 4/1998 Ochs, Sr. .

Primary Examiner—Terry A. Wallace
Attorney, Agent, or Firm—Baker Botts L.L.P.

[57] **CLAIM**

The ornamental design for picnic/party cooler, as shown and described.

DESCRIPTION

FIG. 1 is a three-quarter front pictorial view of a first embodiment of a picnic/party cooler according to my new design;

FIG. 2 is a front elevational view of the first embodiment and is also a mirror image of a rear elevational view;

FIG. 3 is a top plan view of the first embodiment;

FIG. 4 is a bottom plan view of the first embodiment;

FIG. 5 is an elevational view of the right end of the first embodiment;

FIG. 6 is an elevational view of the left end of the first embodiment;

FIG. 7 is a three-quarter front pictorial view of a second embodiment of a picnic/party cooler according to my new design;

FIG. 8 is a front elevational view of the second embodiment and is also a mirror image of a rear elevational view;

FIG. 9 is a top plan view of the second embodiment;

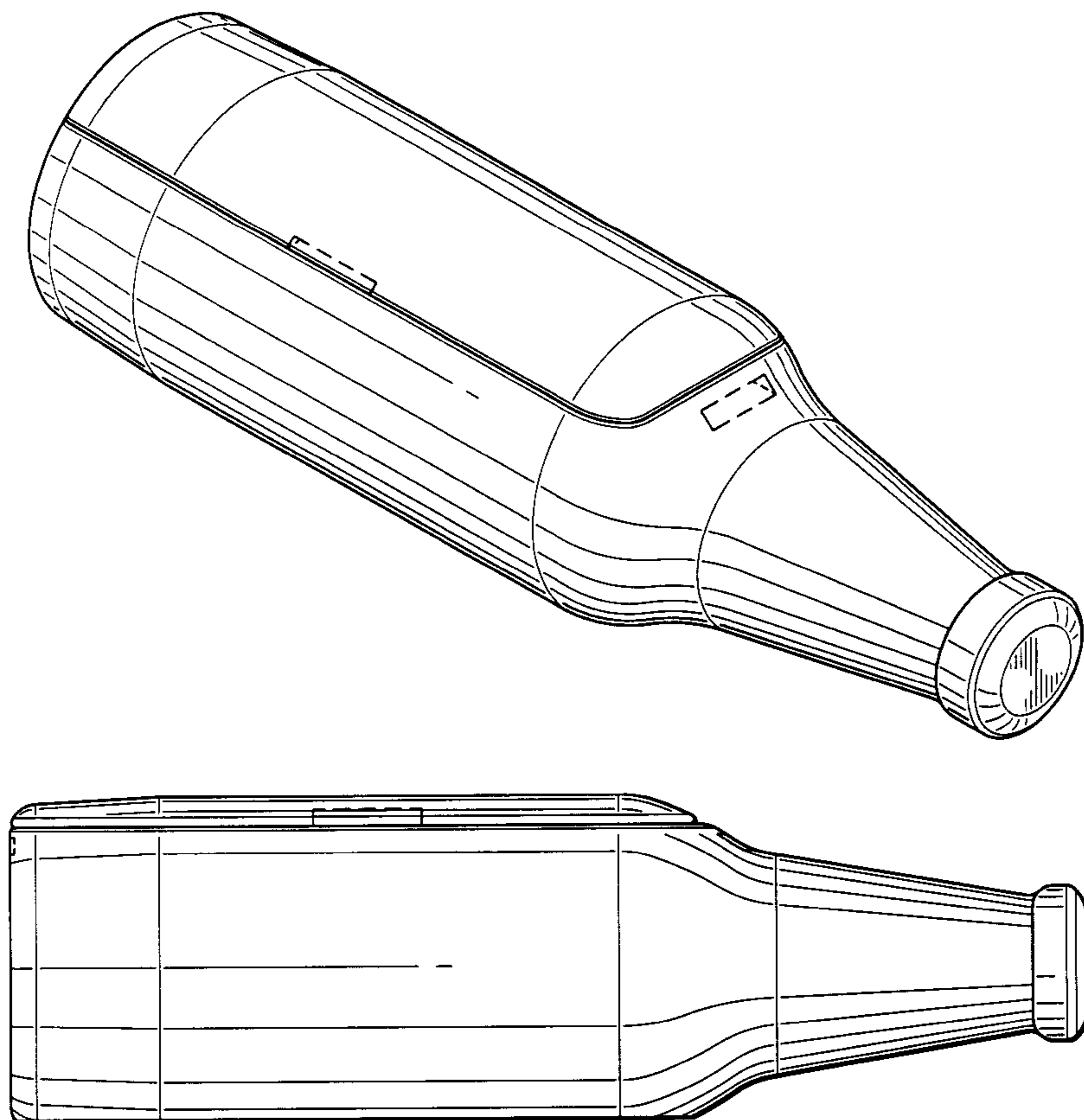
FIG. 10 is a bottom plan view of the second embodiment;

FIG. 11 is an elevational view of the right end of the second embodiment; and,

FIG. 12 is an elevational view of the left end of the second embodiment.

The broken lines are for illustrative purposes only and form no part of the claimed design.

1 Claim, 4 Drawing Sheets



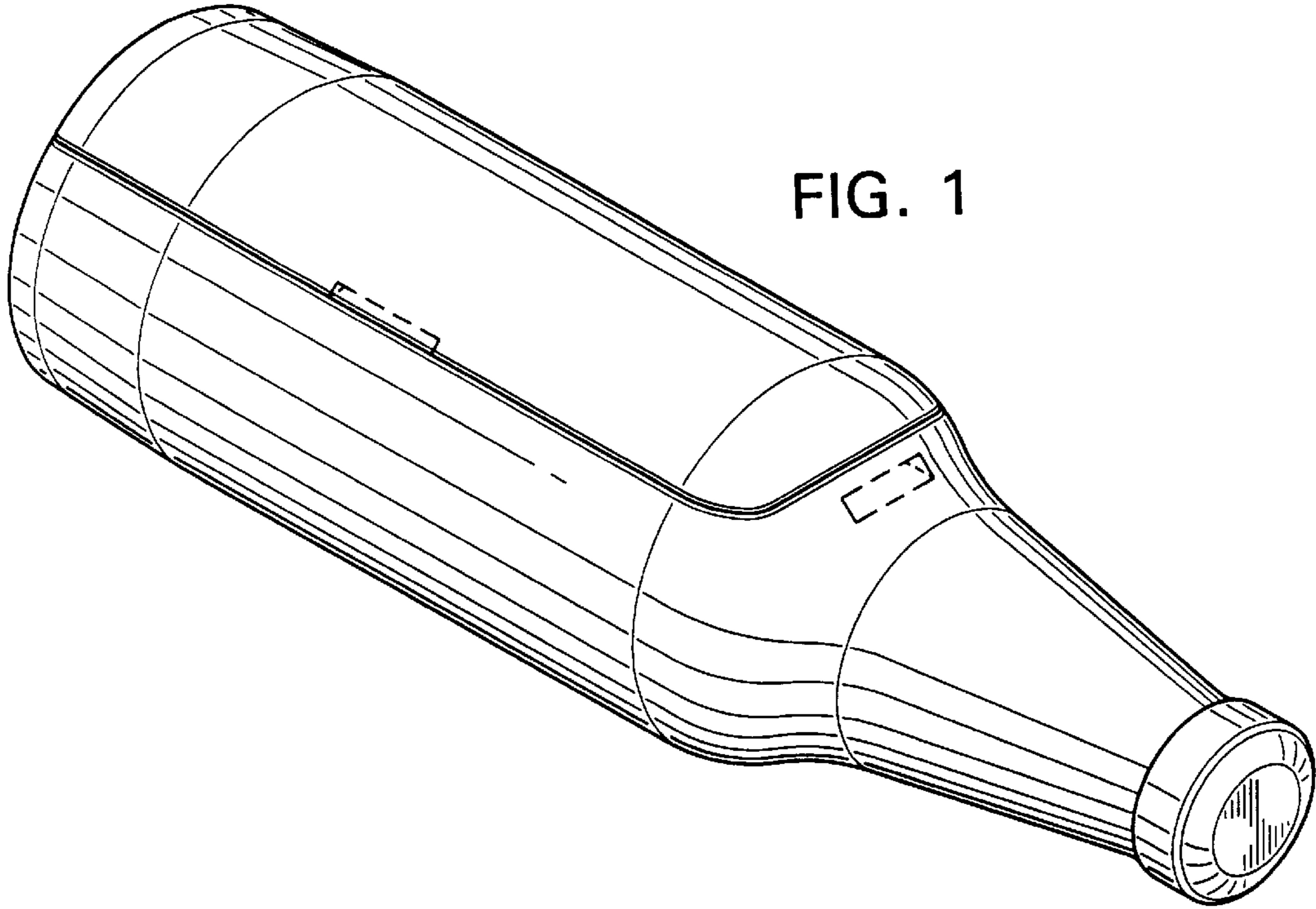


FIG. 1

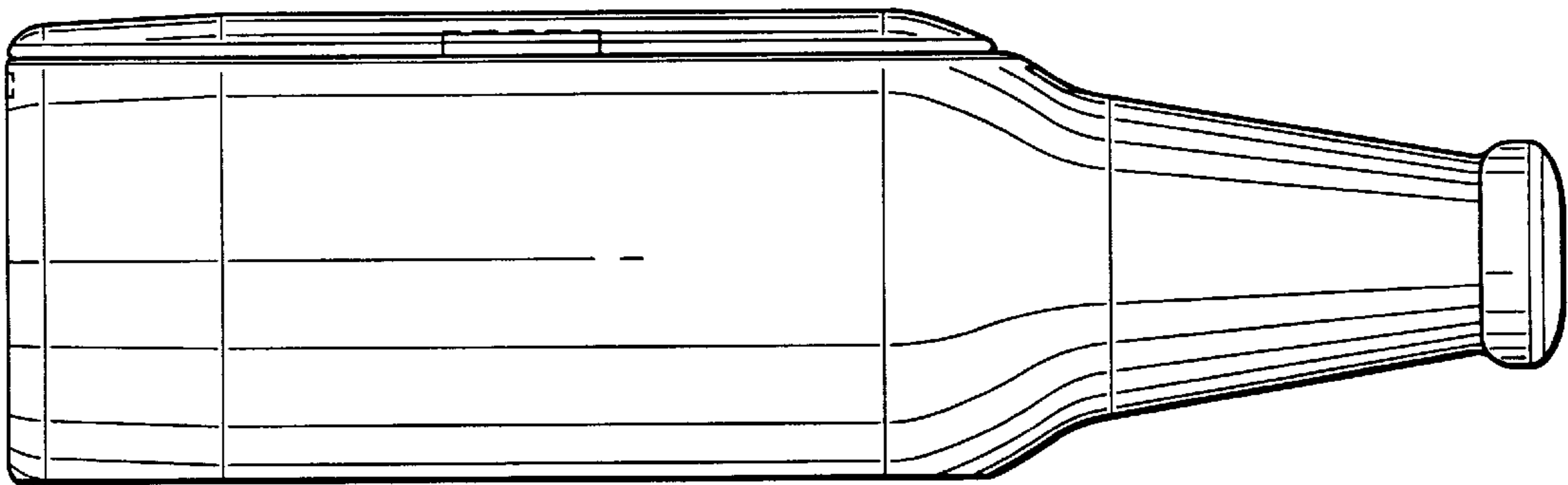


FIG. 2

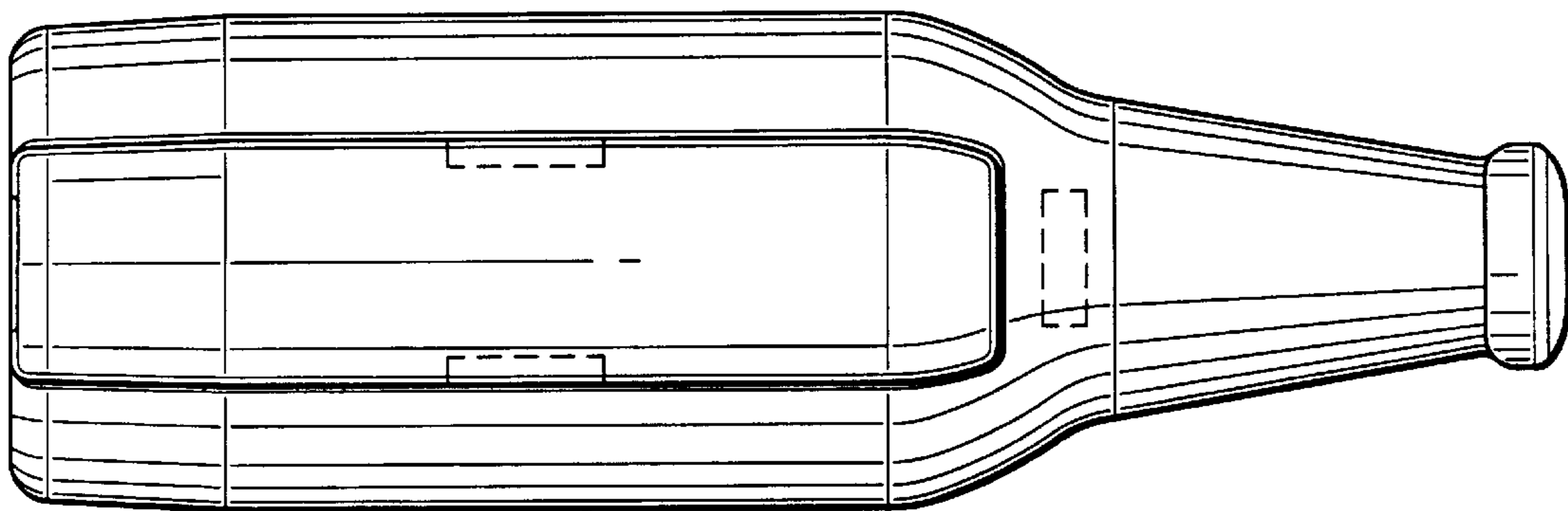


FIG. 3

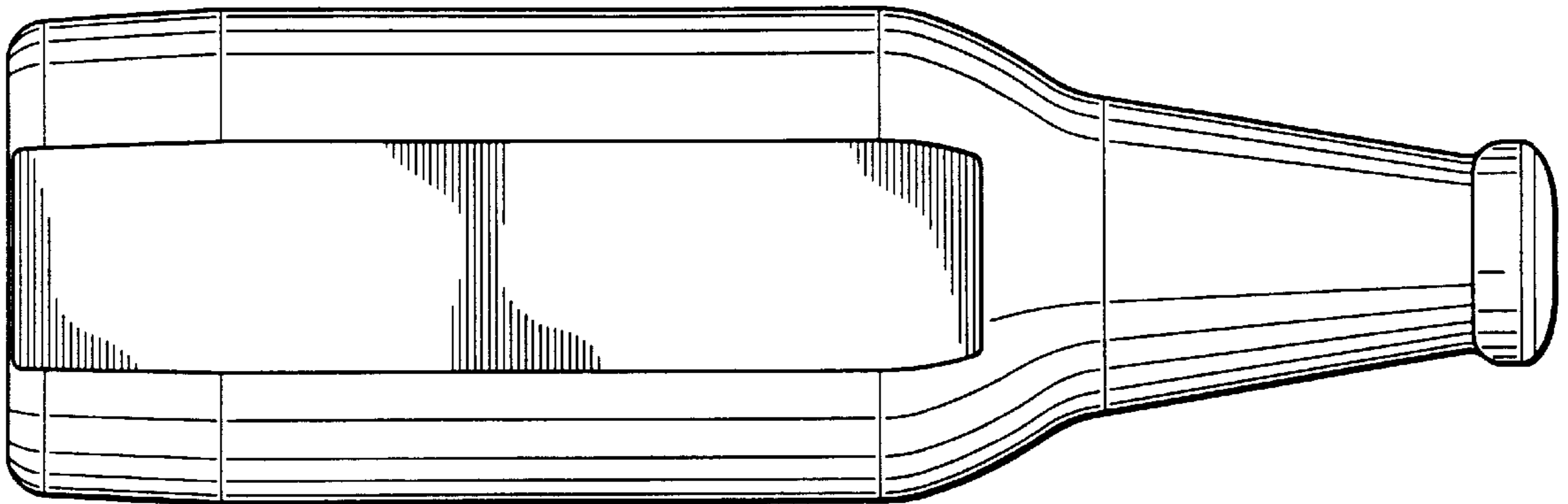


FIG. 4

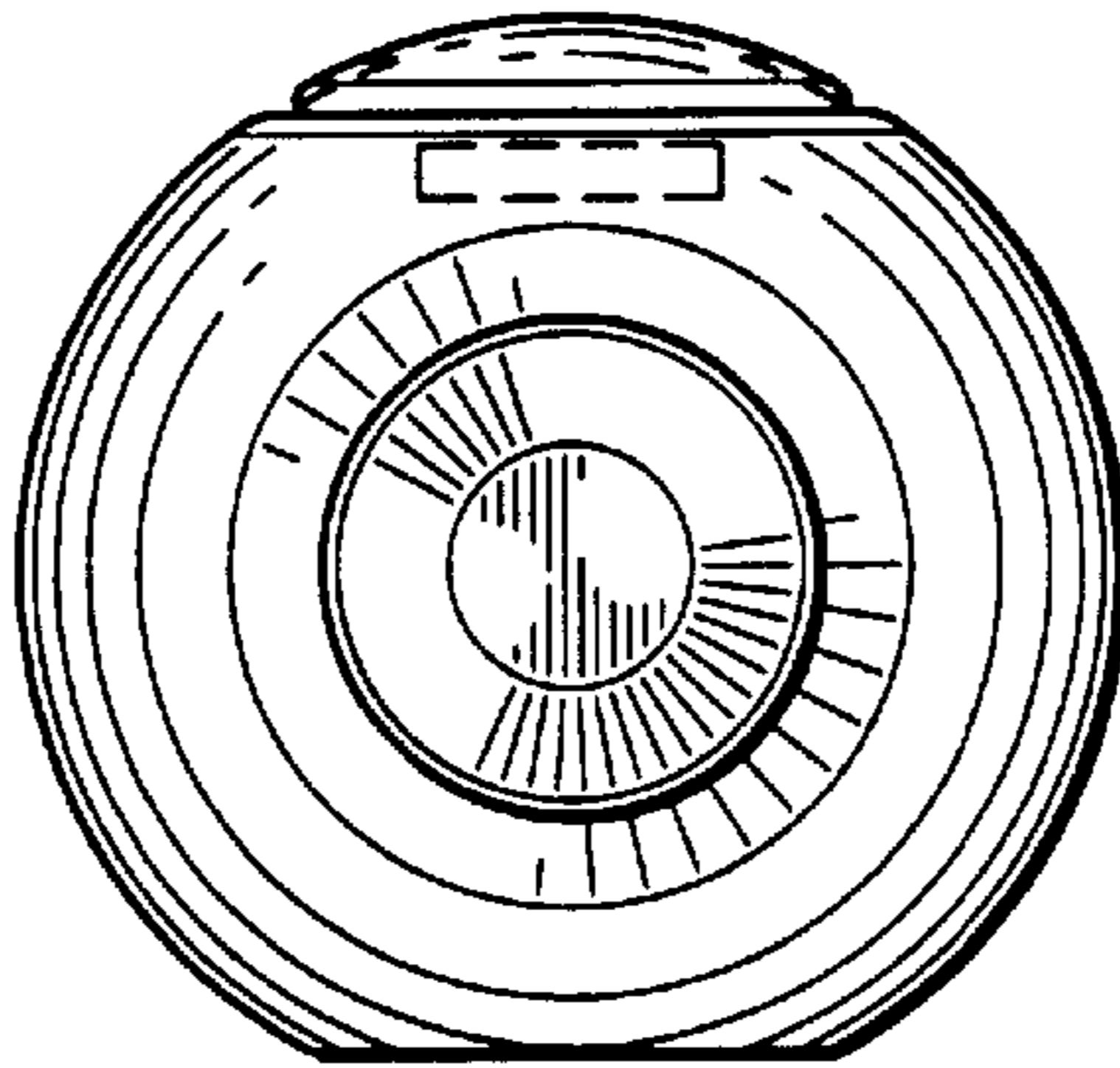


FIG. 5

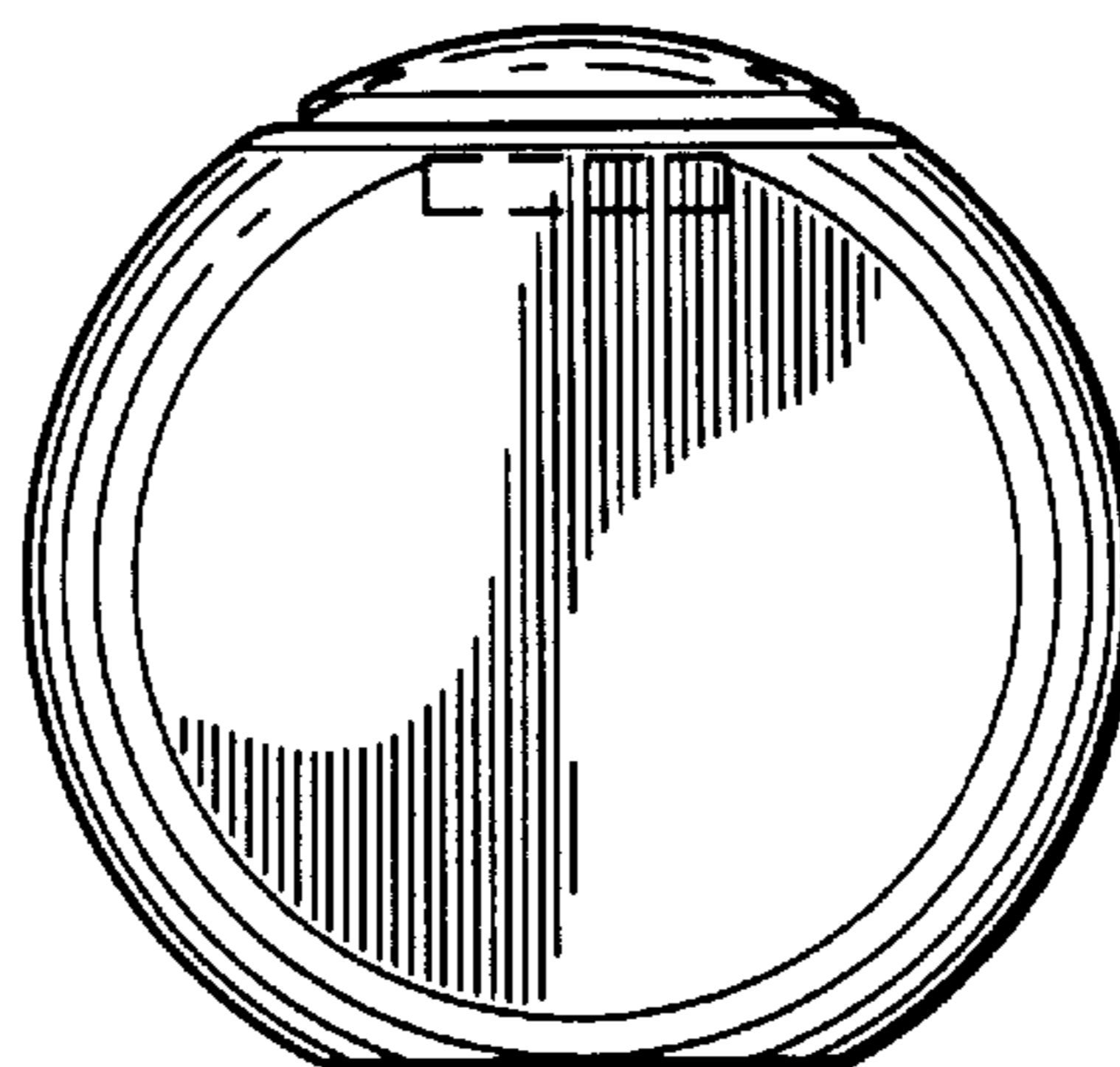


FIG. 6

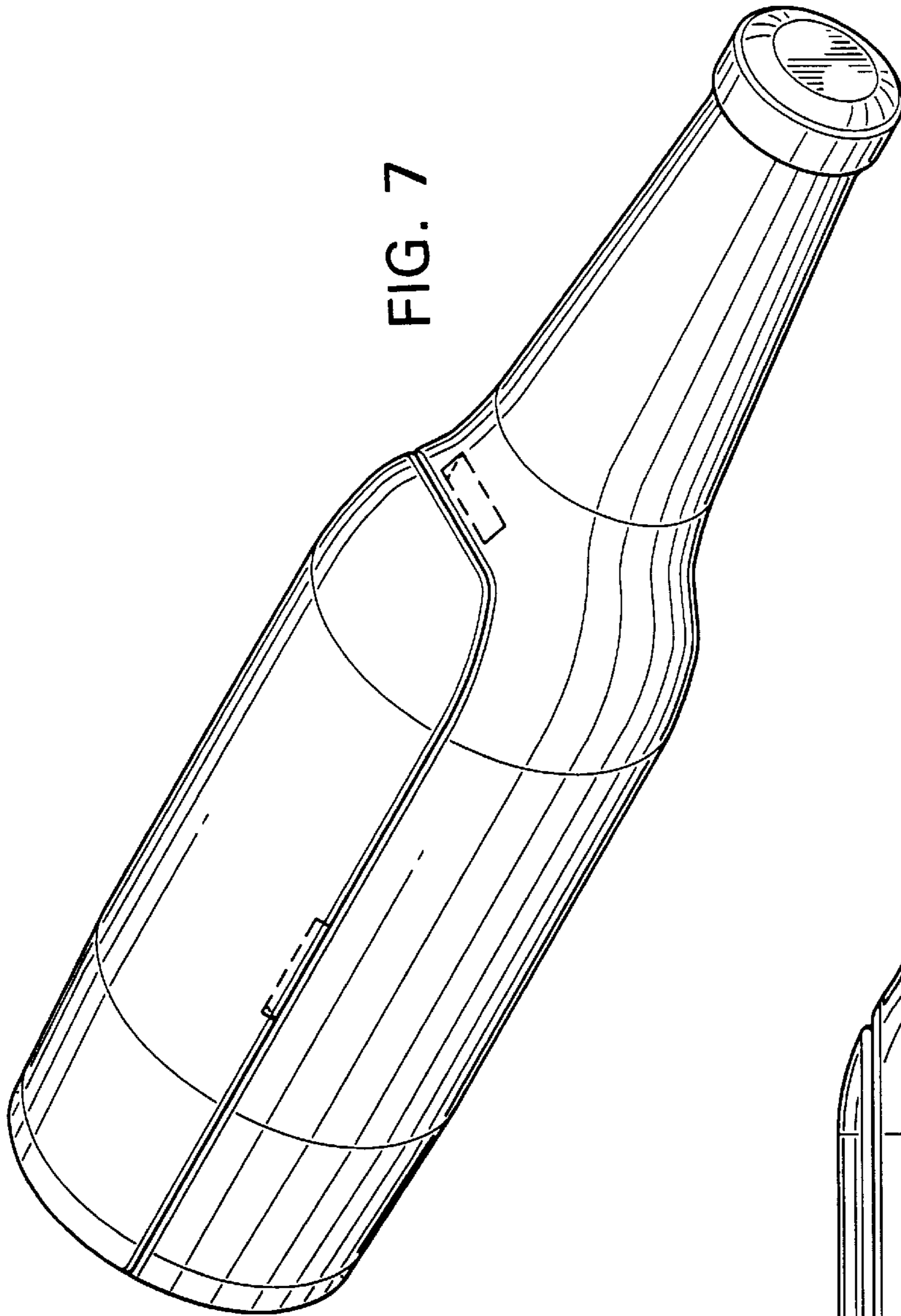


FIG. 7

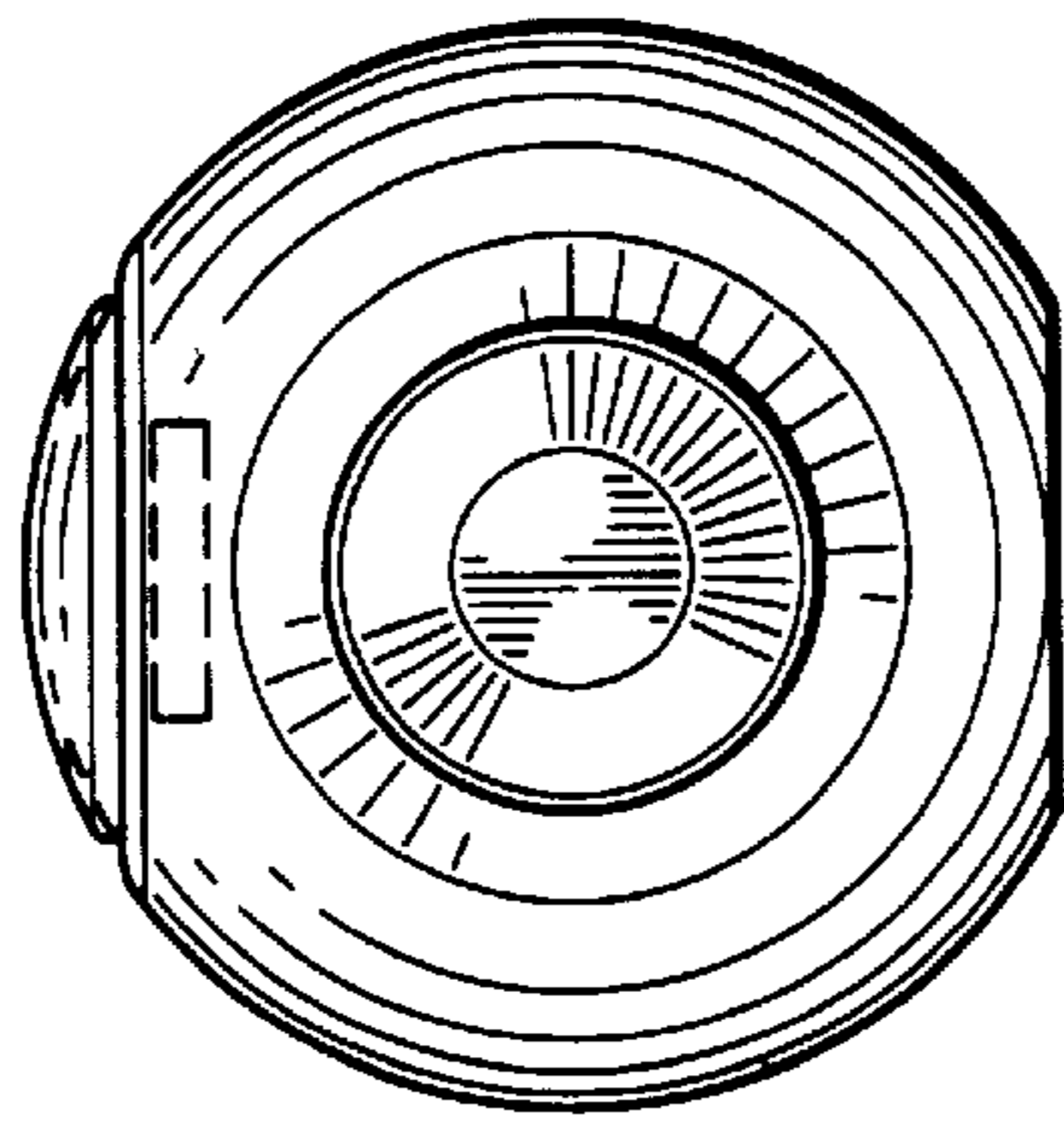


FIG. 11

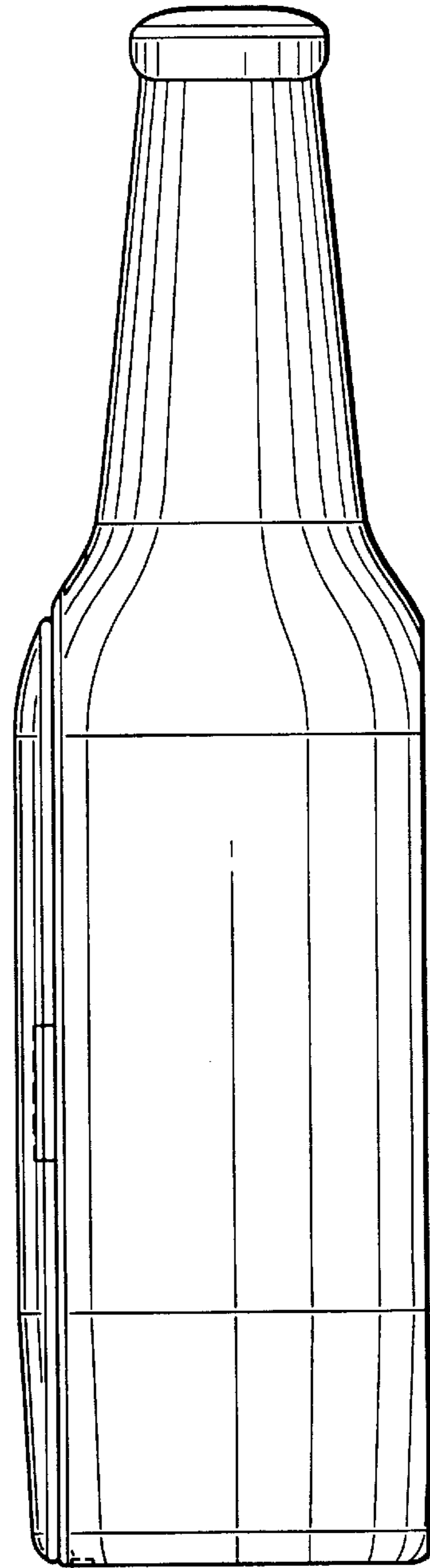


FIG. 8

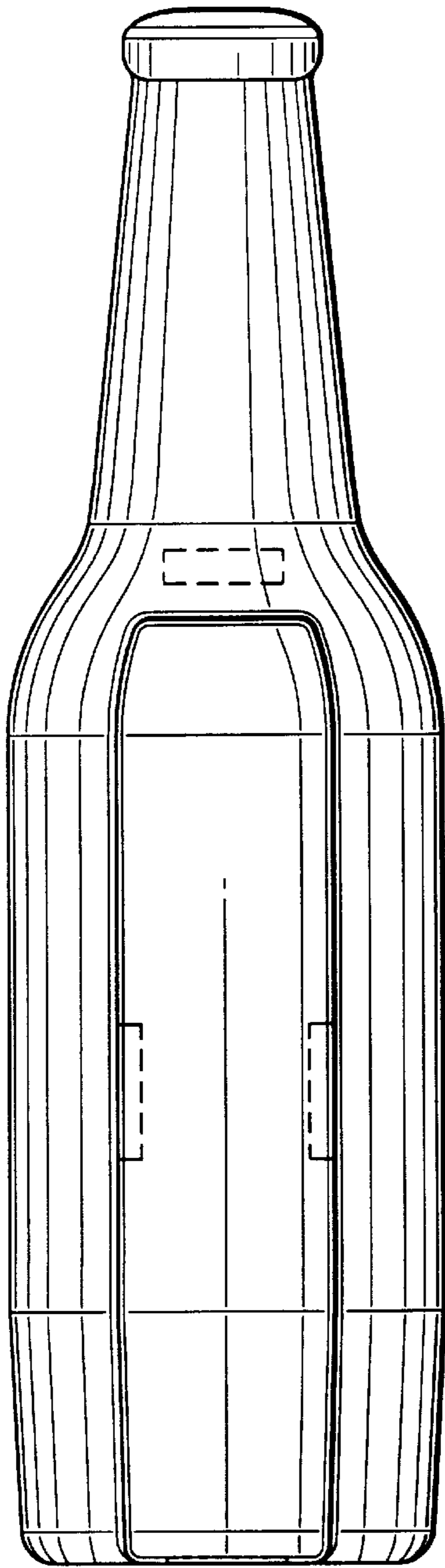


FIG. 9

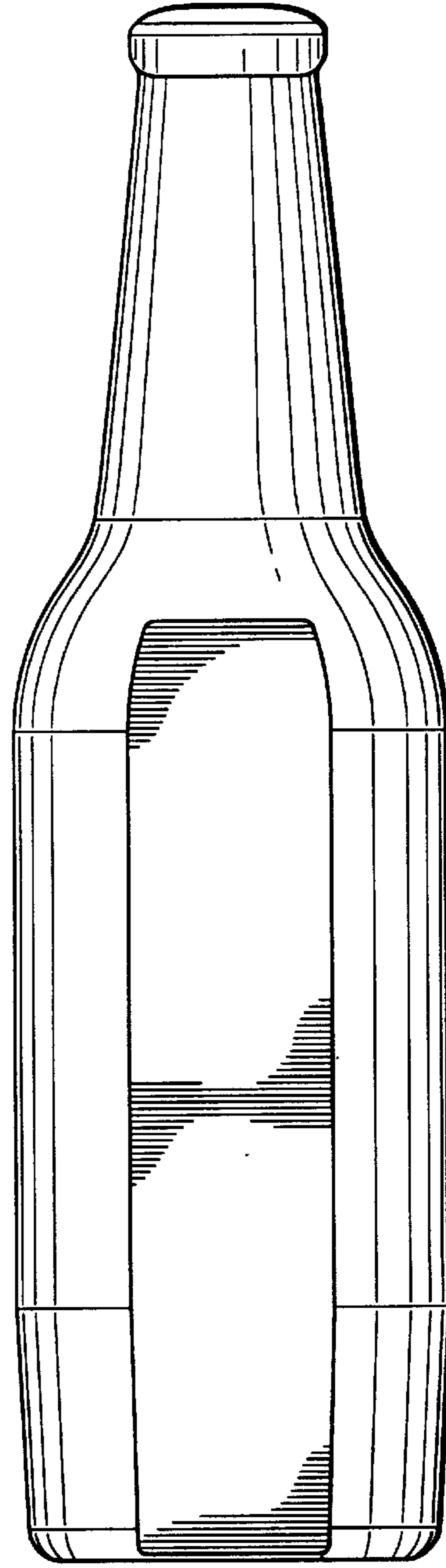


FIG. 10

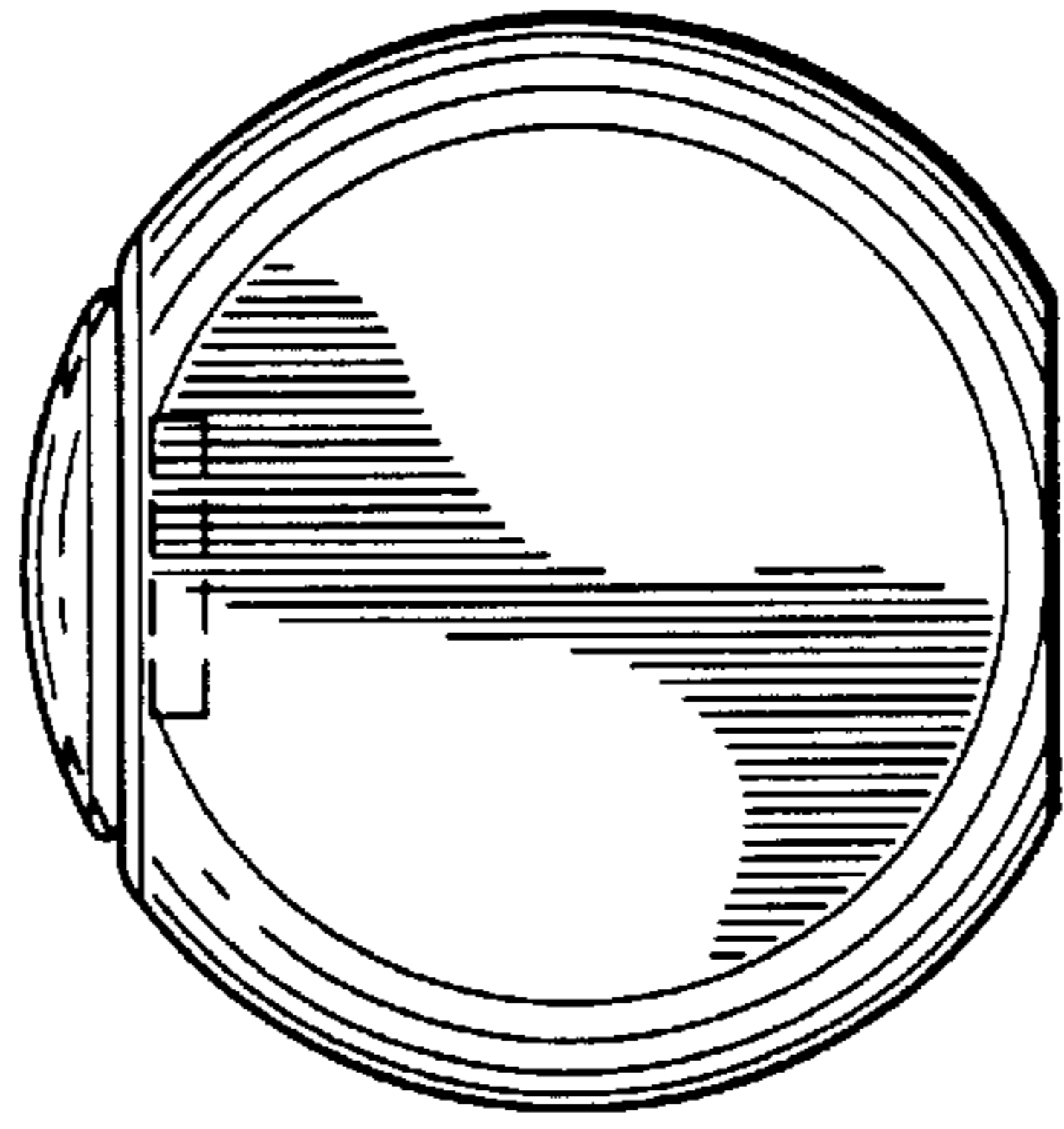


FIG. 12