

US00D432363S

United States Patent [19]

[11] Patent Number: Des. 432,363

Bassford et al.

[45] Date of Patent: ** Oct. 24, 2000

[54] COOLER FOR GOLF CARTS

DESCRIPTION

[75] Inventors: James A. Bassford; John F. Lengyell,
both of Cambridge, Canada

FIG. 1 is a perspective view of a first variant of the design attached to a golf cart;

[73] Assignee: 1373497 Ontario Inc., Cambridge,
Canada

FIG. 2 is a bottom plan view of a first variant of the design attached to a golf cart;

[**] Term: 14 Years

FIG. 3 is a right side elevation view of a first variant of the design attached to a golf cart;

[21] Appl. No.: 29/114,241

FIG. 4 is a top plan view of a first variant of the design attached to a golf cart;

[22] Filed: Nov. 22, 1999

FIG. 5 is a left side elevation view of a first variant of the design attached to a golf cart;

[51] LOC (7) Cl. 07-07

FIG. 6 is a back end view of a first variant of the design;

[52] U.S. Cl. D7/605

FIG. 7 is a front end view of a first variant of the design;

[58] Field of Search D7/605; D12/16;
D34/15, 27; 62/371, 457.1, 457.7, 457.9;
224/274, 414; 296/37.1

FIG. 8 is a perspective view of a second variant of the design with middle cabinet door in a closed position, attached to a golf cart;

[56] References Cited

FIG. 9 is a perspective view of a second variant of the design with middle cabinet door in an open position, attached to a golf cart;

U.S. PATENT DOCUMENTS

4,260,085	4/1981	Jefferson	224/414
4,889,267	12/1989	Bolton	224/274
4,989,767	2/1991	Buschbom	224/274
5,168,718	12/1992	Bergmann	62/457.9

FIG. 10 is a bottom plan view of a second variant of the design attached to a golf cart;

Primary Examiner—Terry A. Wallace
Attorney, Agent, or Firm—R. Craig Armstrong

FIG. 11 is a right side elevation view of a second variant of the design attached to a golf cart;

[57] CLAIM

FIG. 12 is top plan view of a second variant of the design attached to a golf cart;

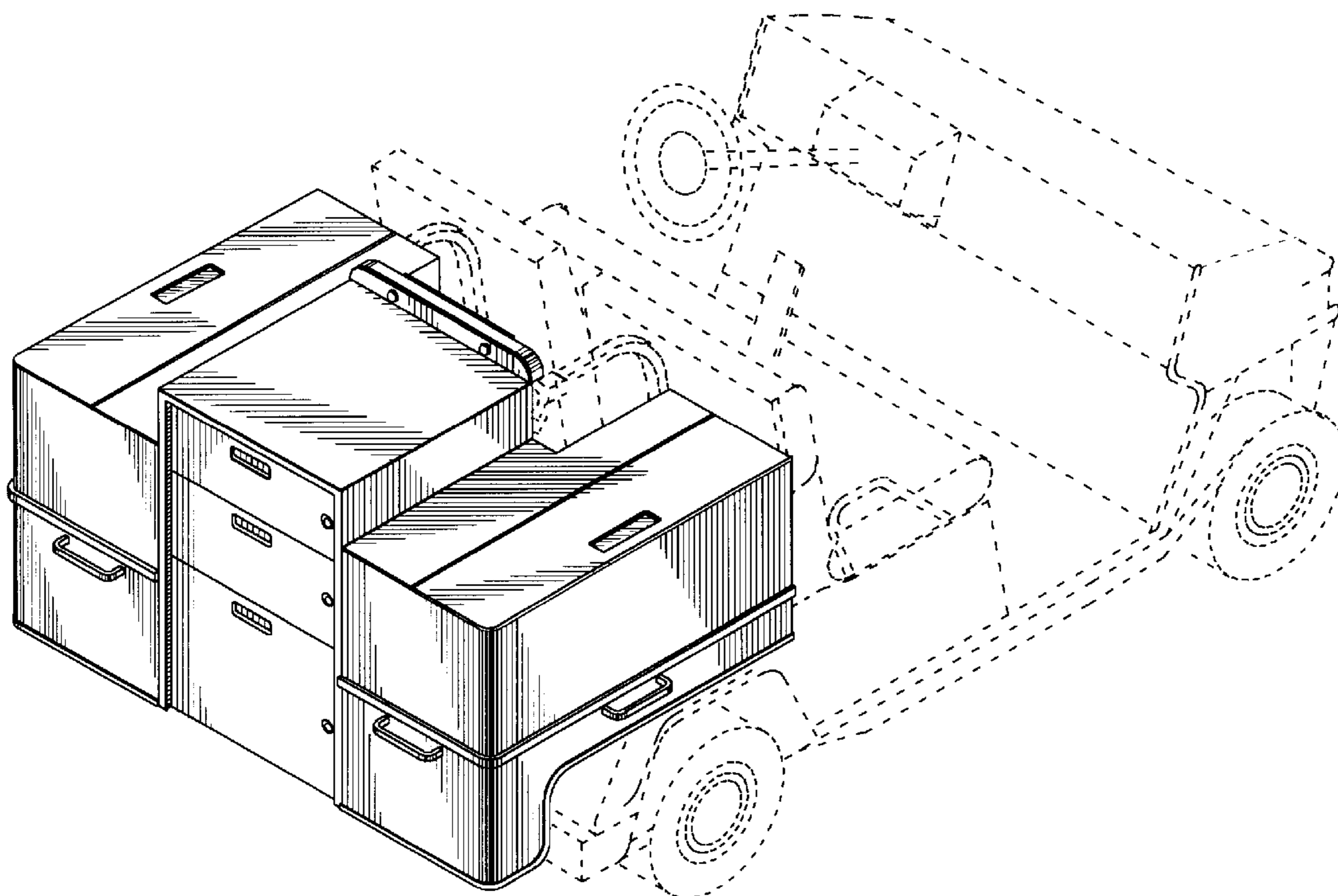
The ornamental design for the cooler for golf carts, as shown and described.

FIG. 13 is left side elevation view of a second variant of the design attached to a golf cart;

FIG. 14 is a back end view of a second variant of the design with door in a closed position; and,

FIG. 15 is a front end view of a second variant of the design. The golf cart depicted by means of stippled lines in FIGS. 1 through 5 and 8 through 13 is shown for illustrative purposes only and forms no part of the claimed design.

1 Claim, 8 Drawing Sheets



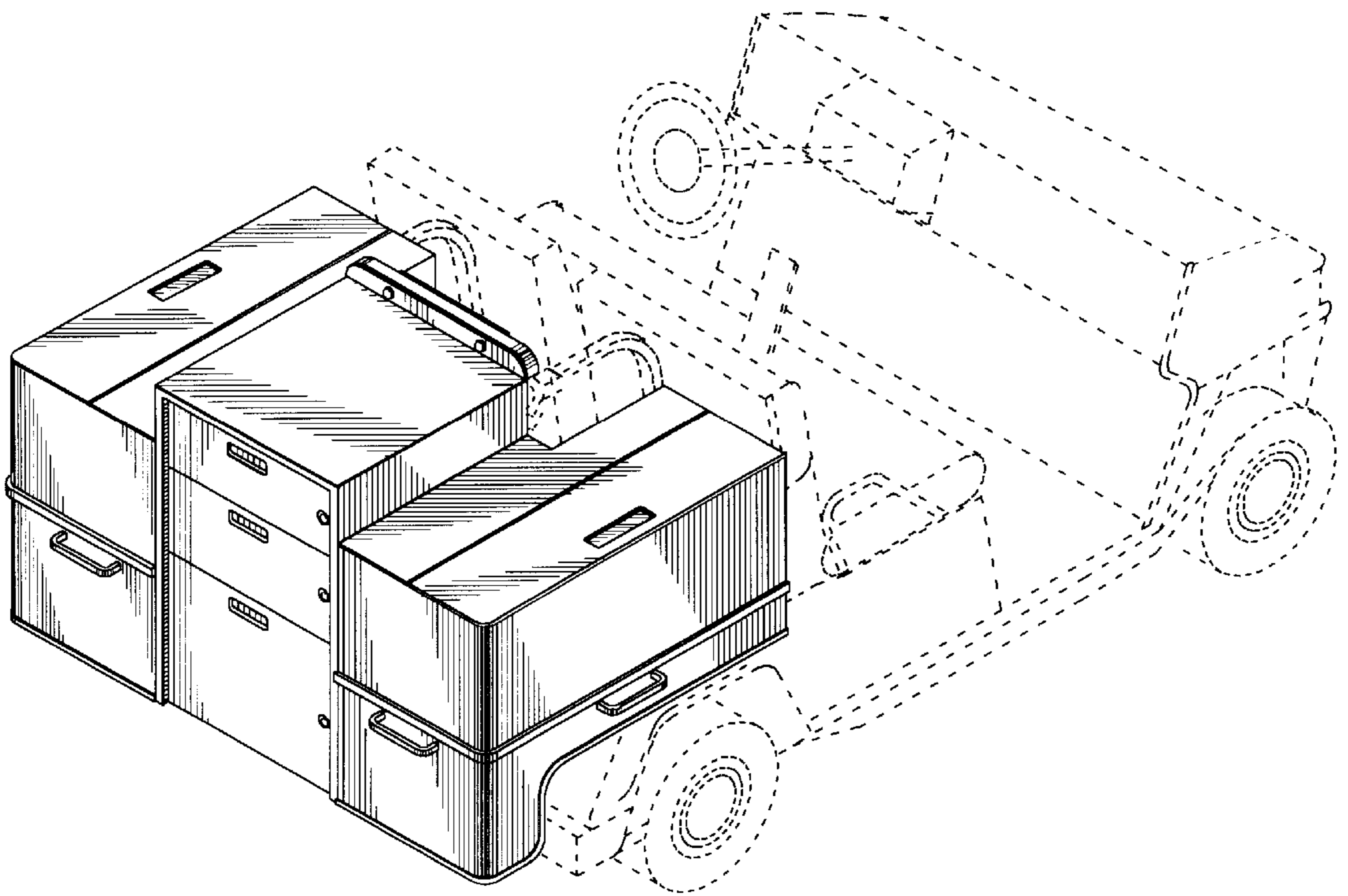


FIG.1

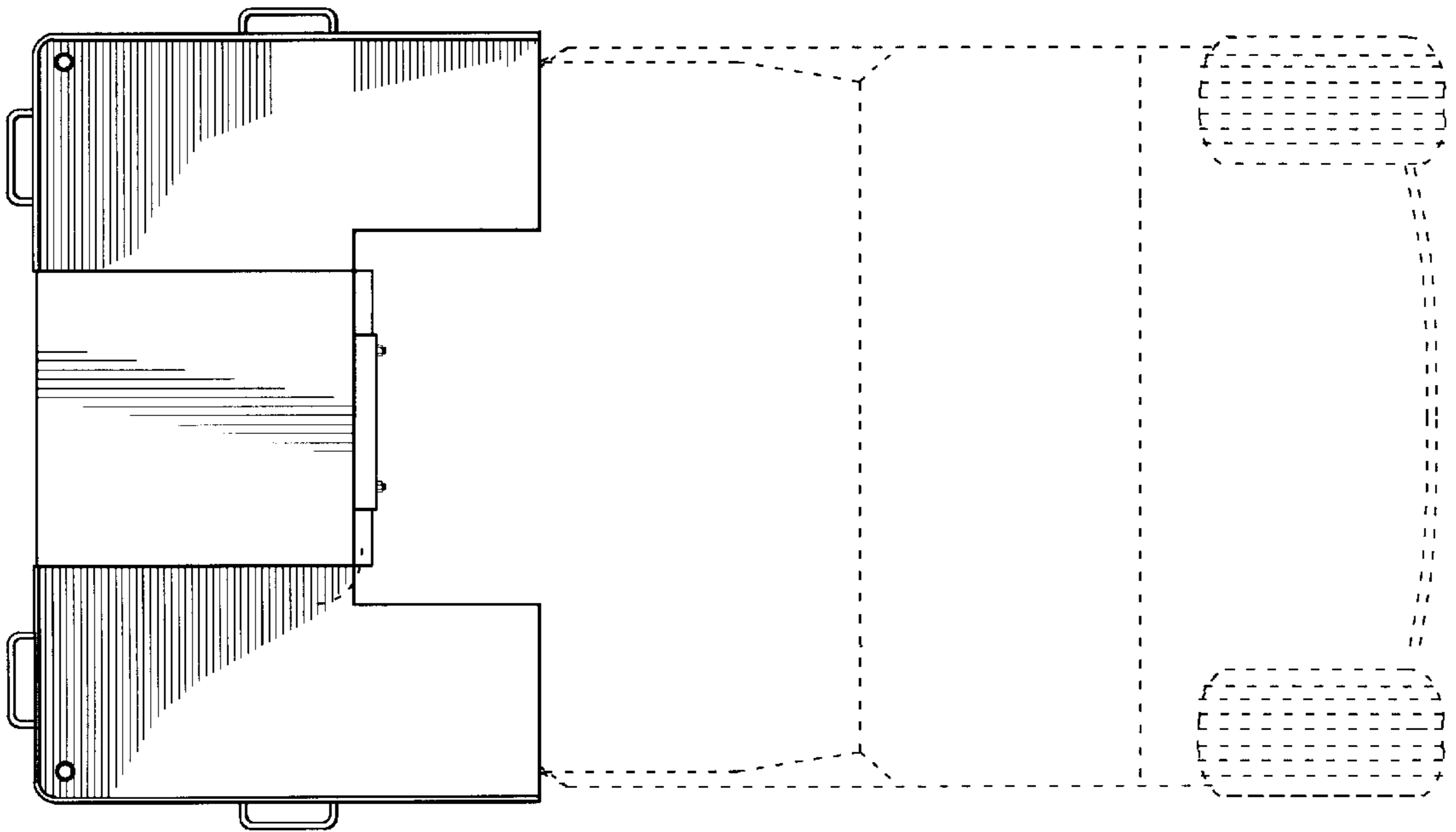


FIG. 2

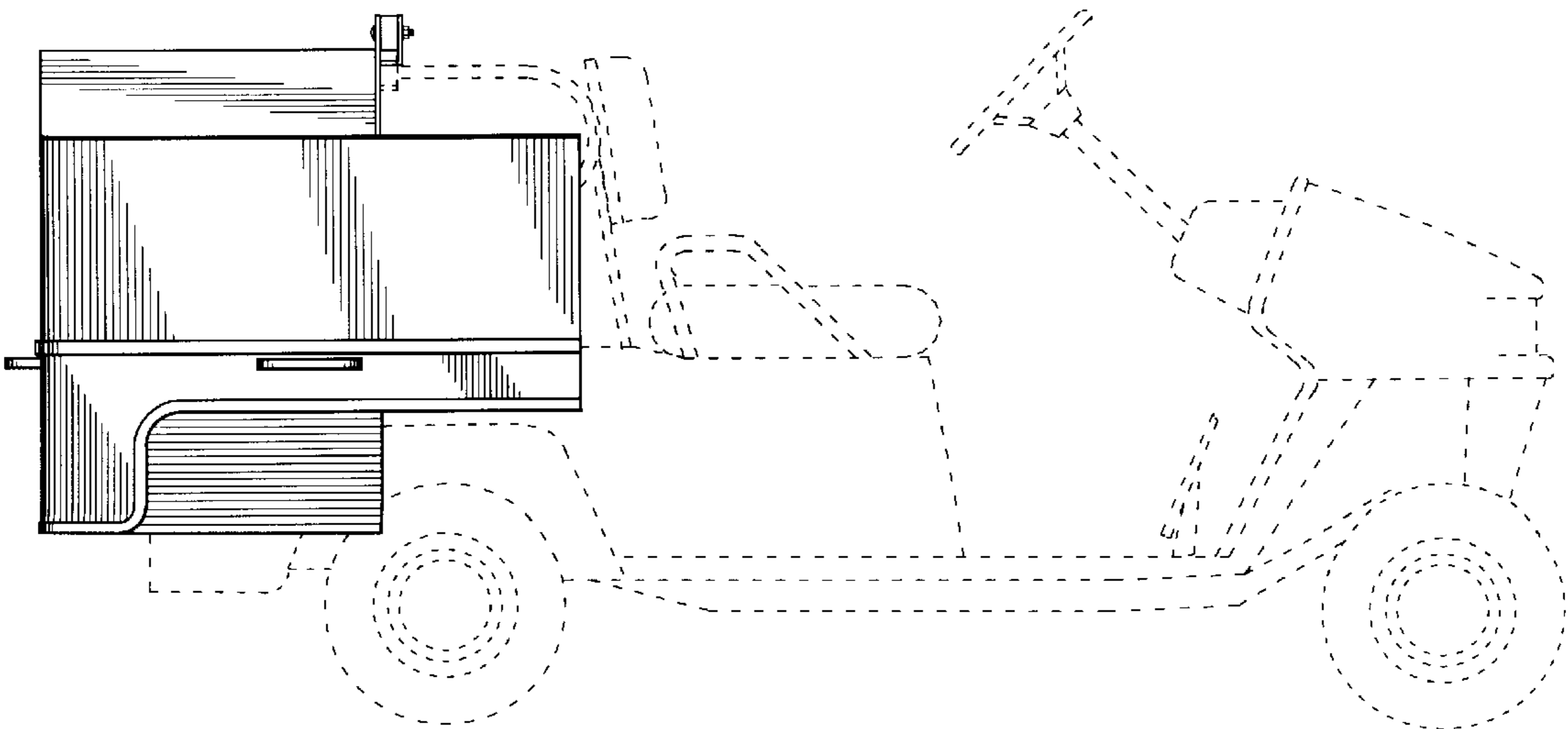


FIG. 3

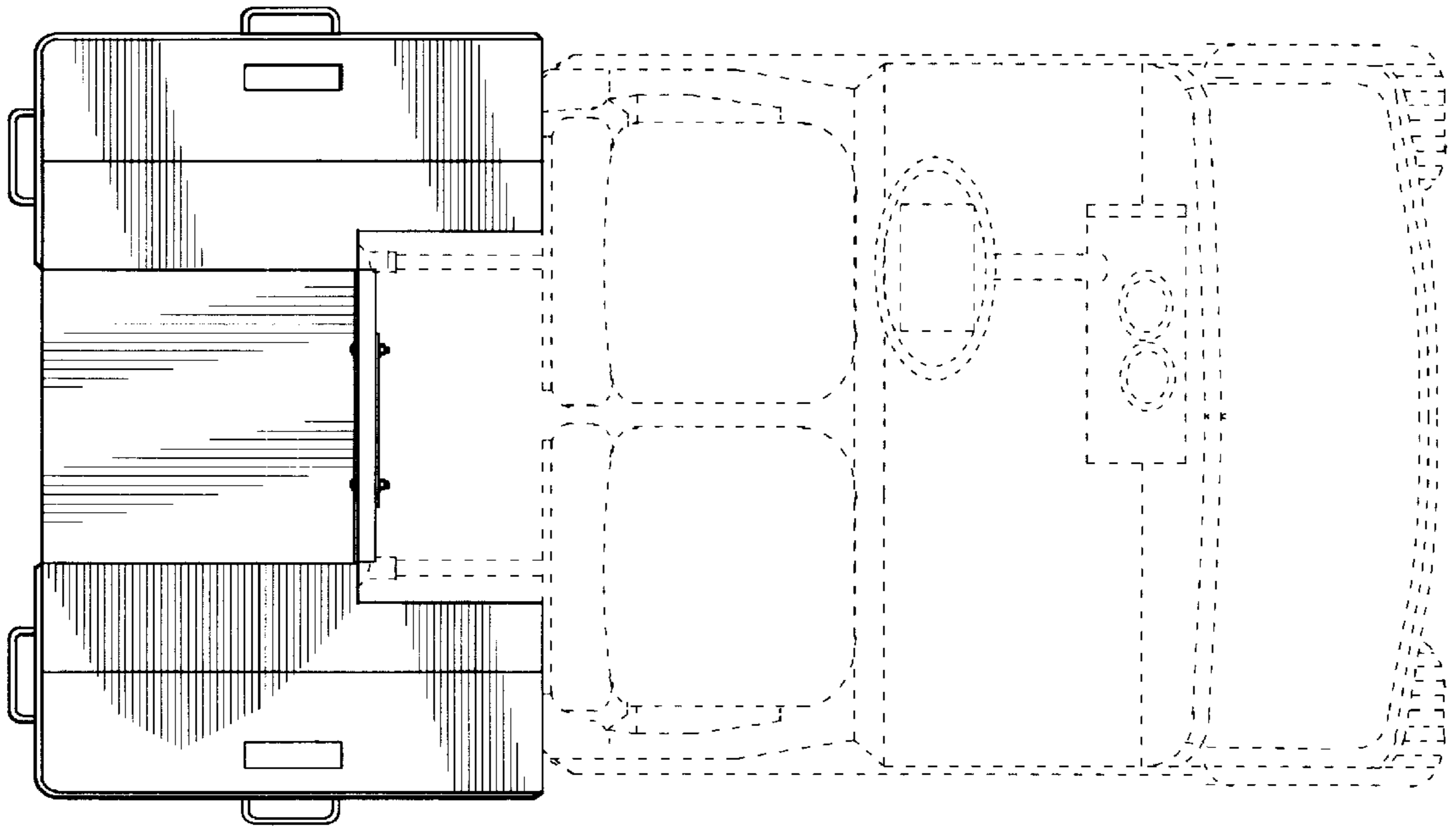


FIG. 4

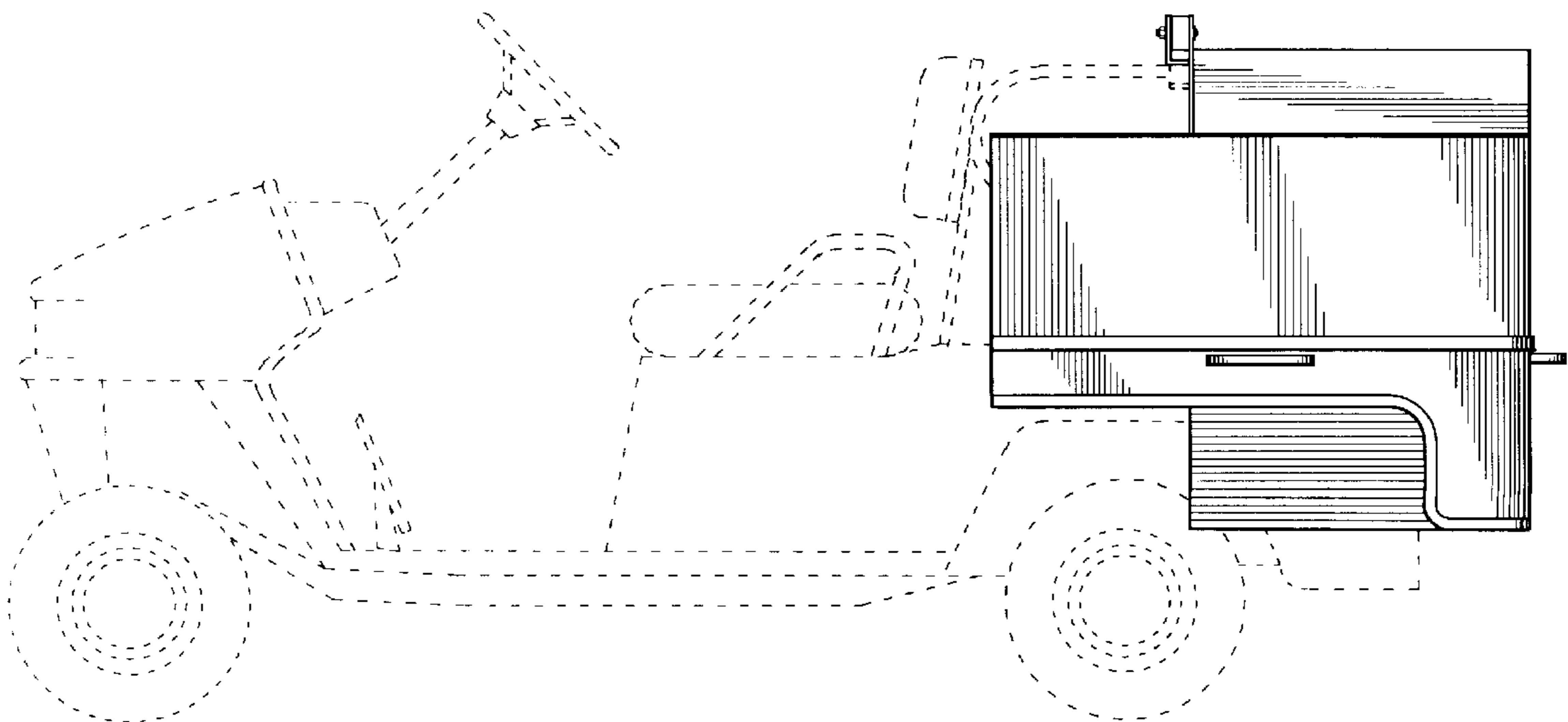


FIG. 5

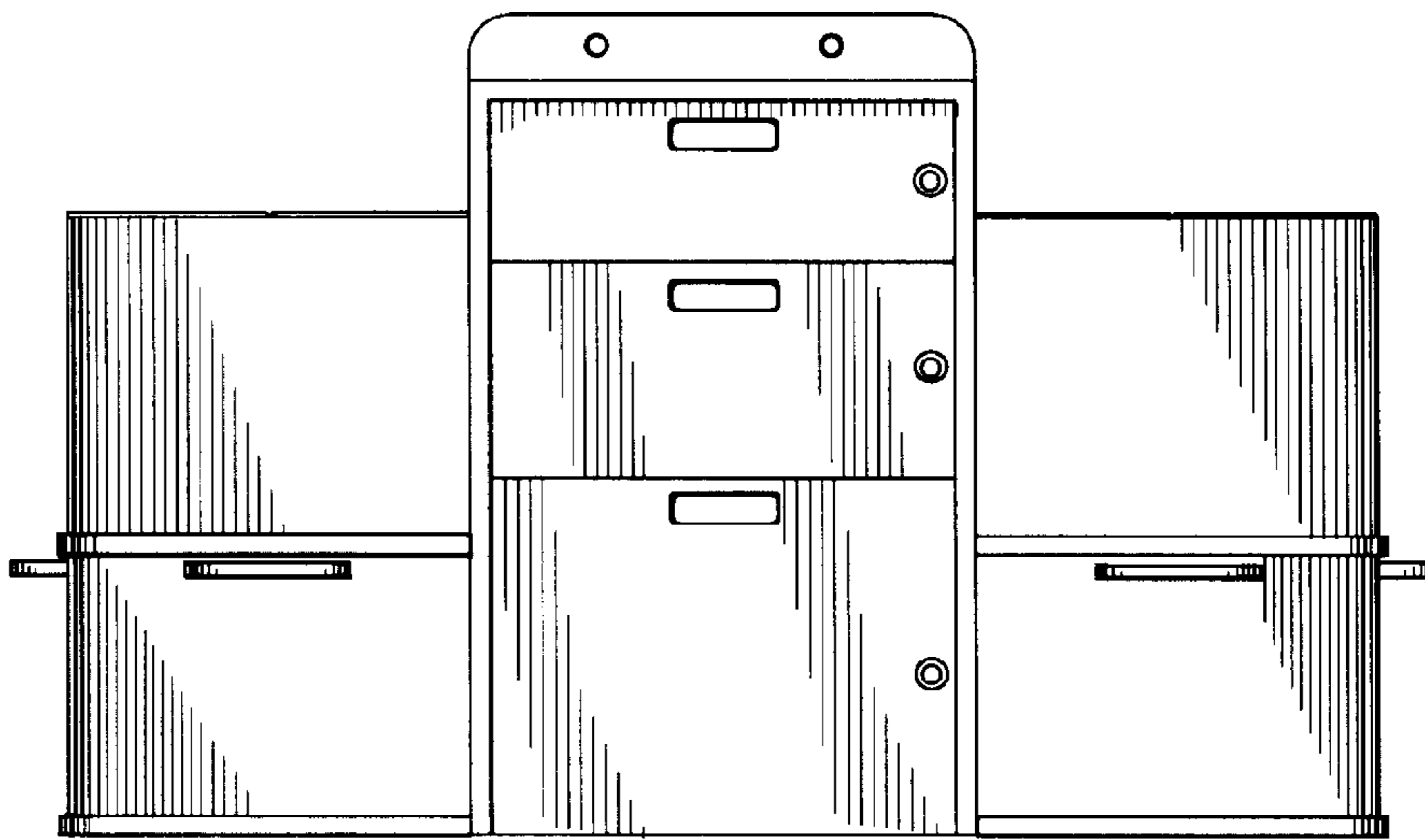


FIG. 6

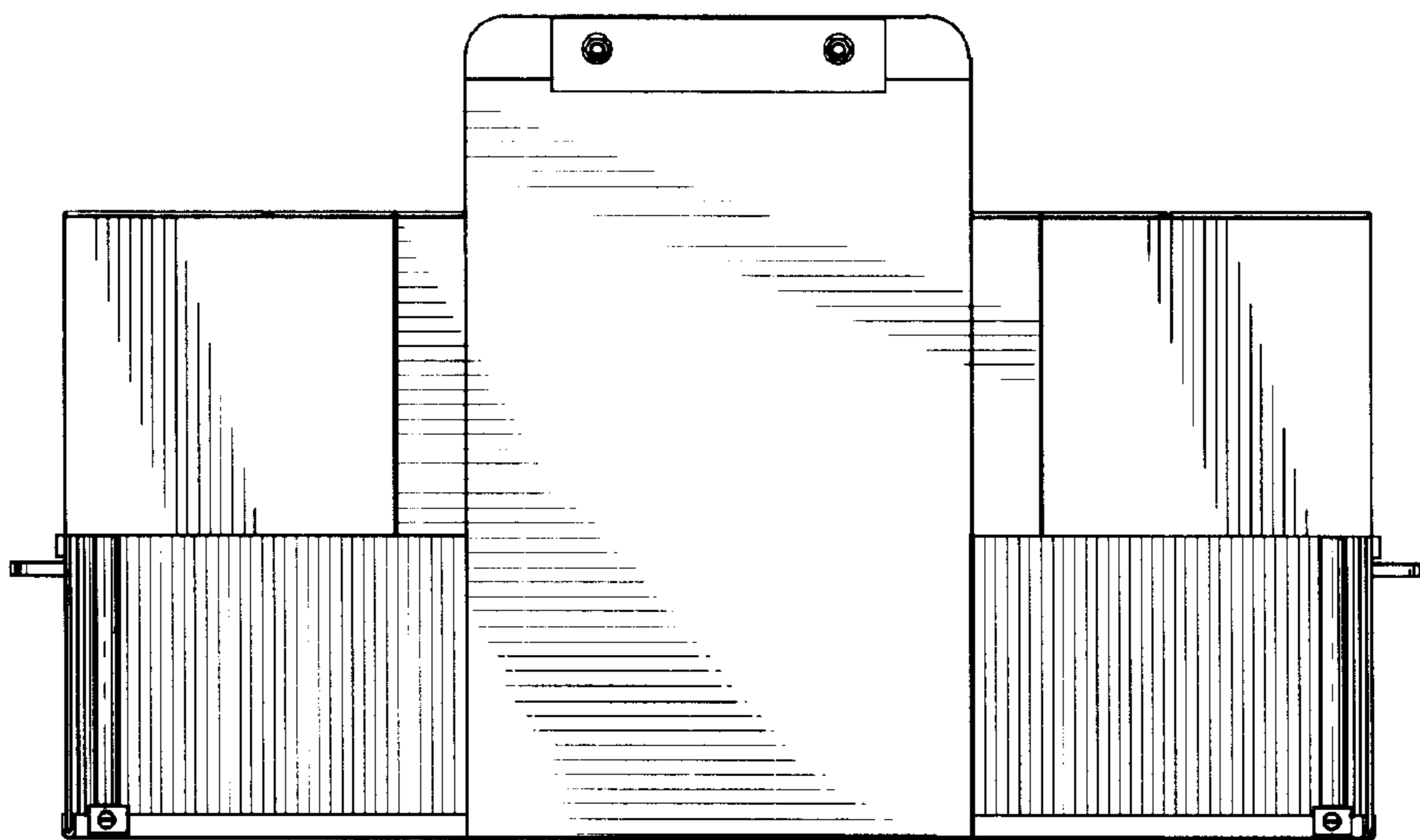


FIG. 7

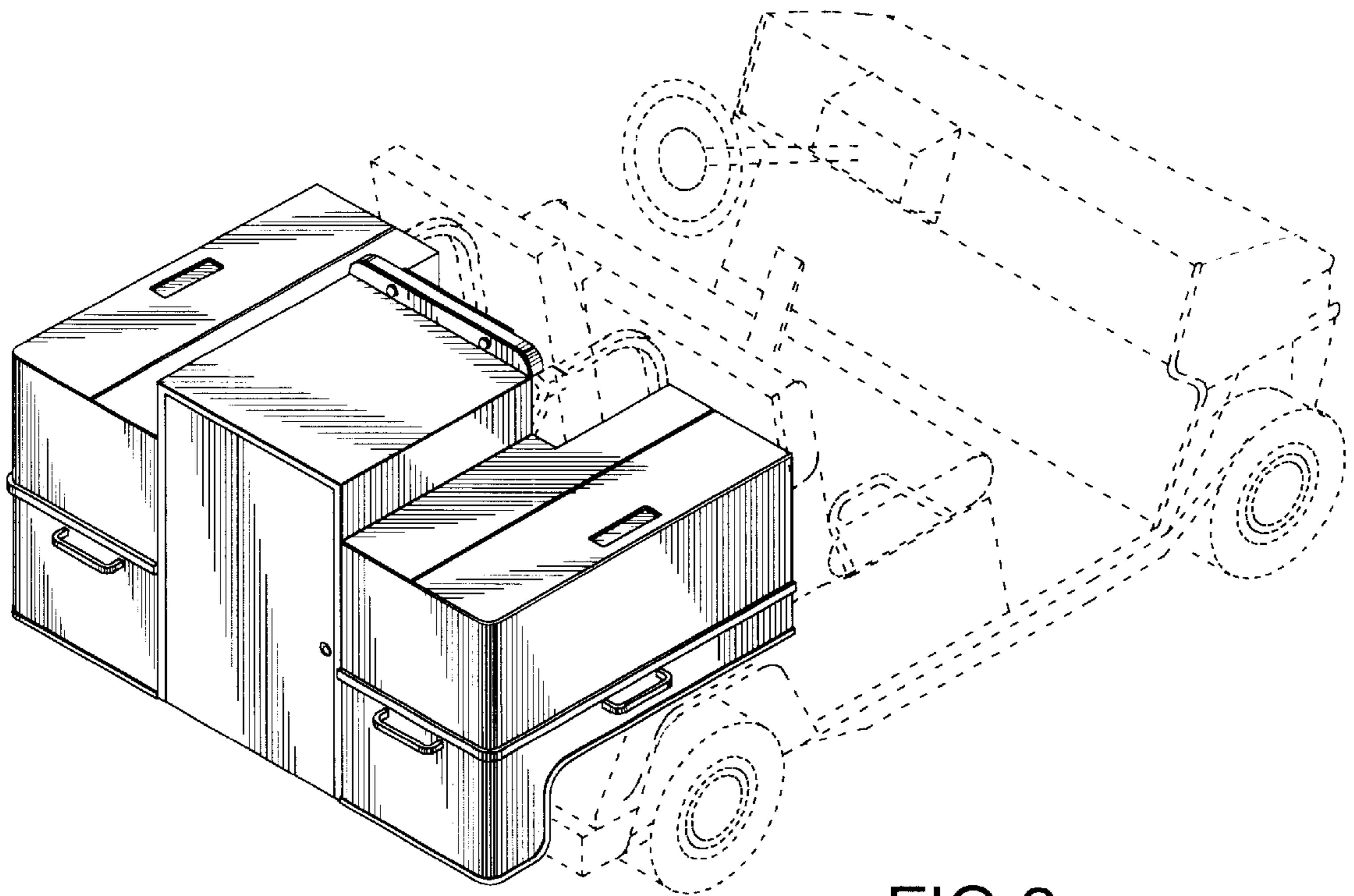


FIG. 8

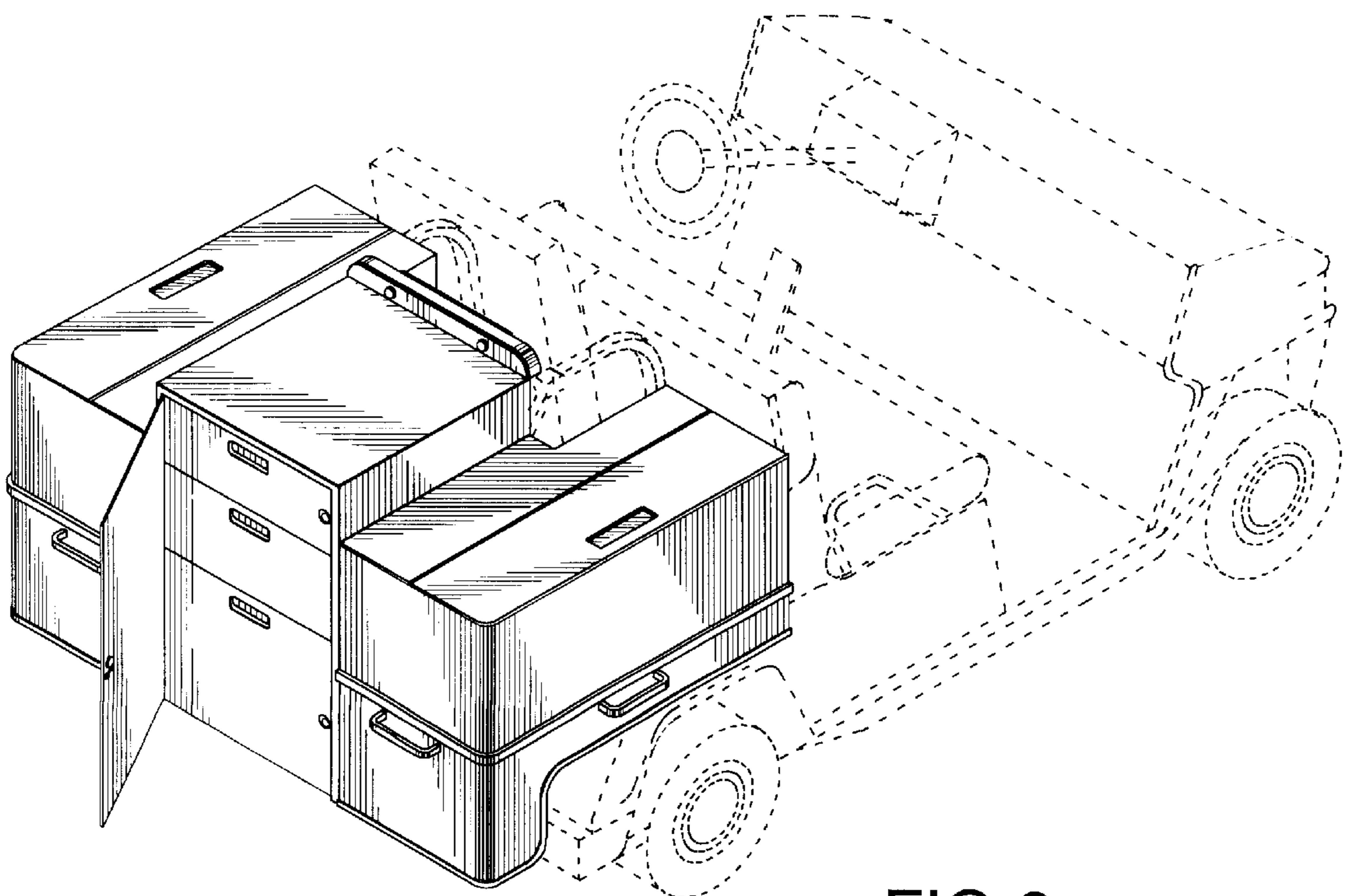


FIG. 9

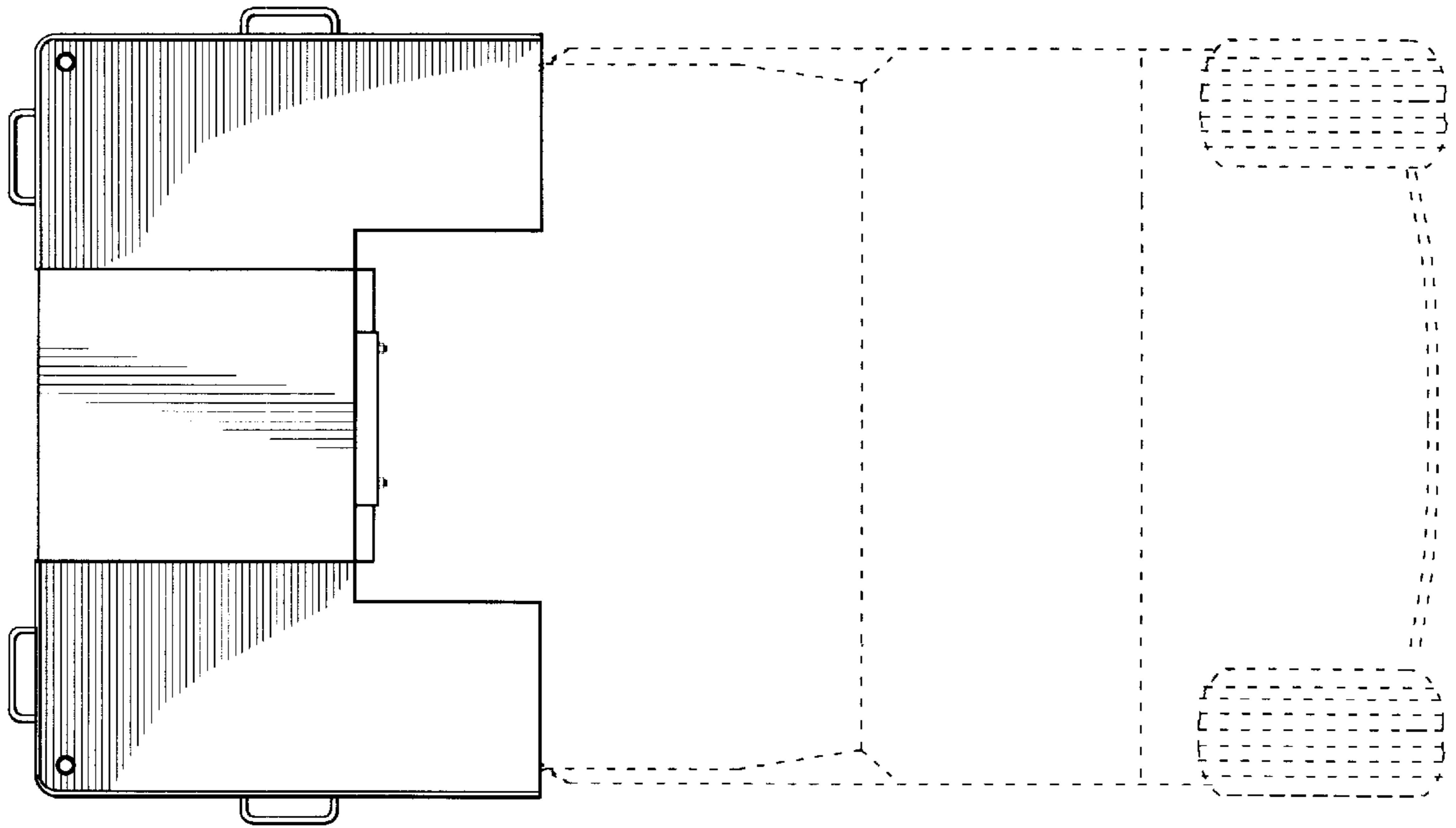


FIG.10

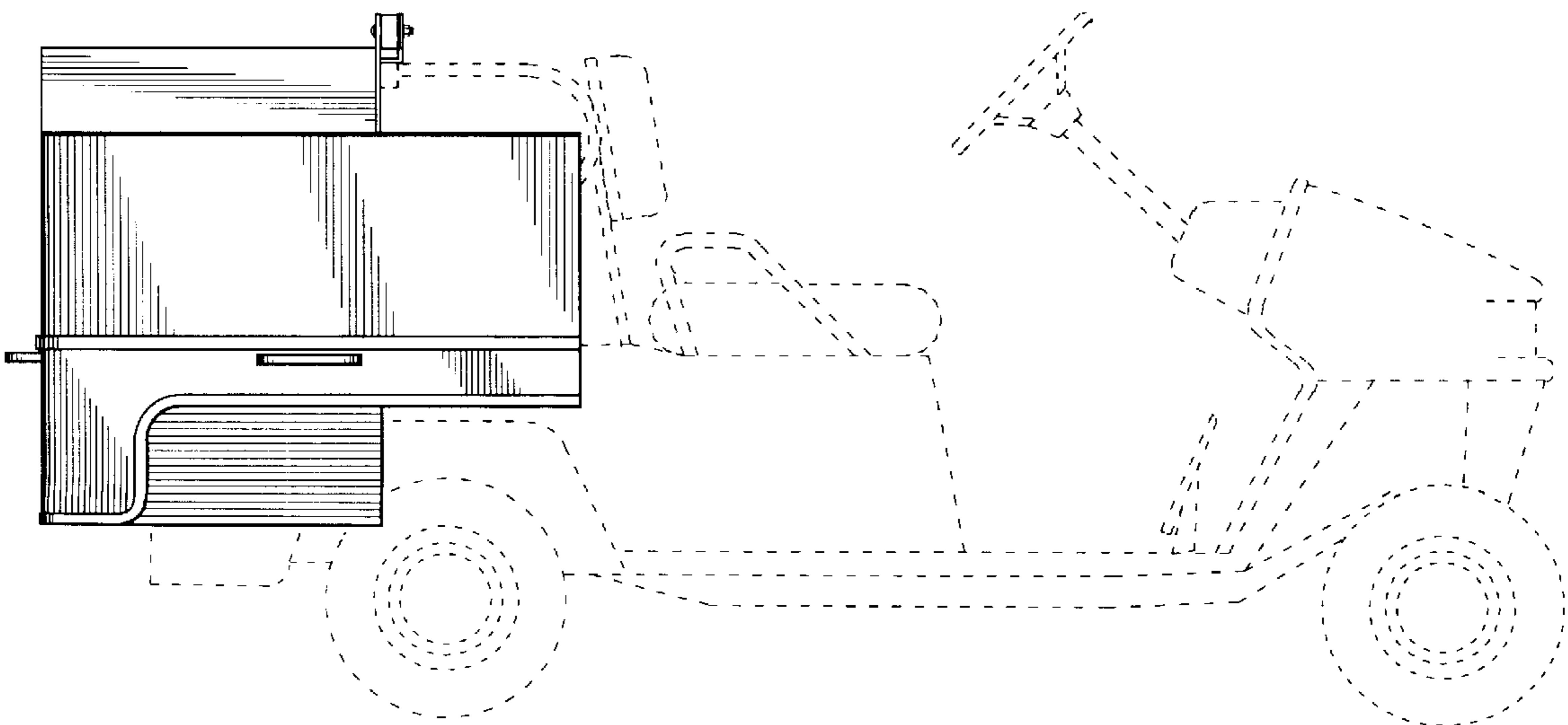


FIG.11

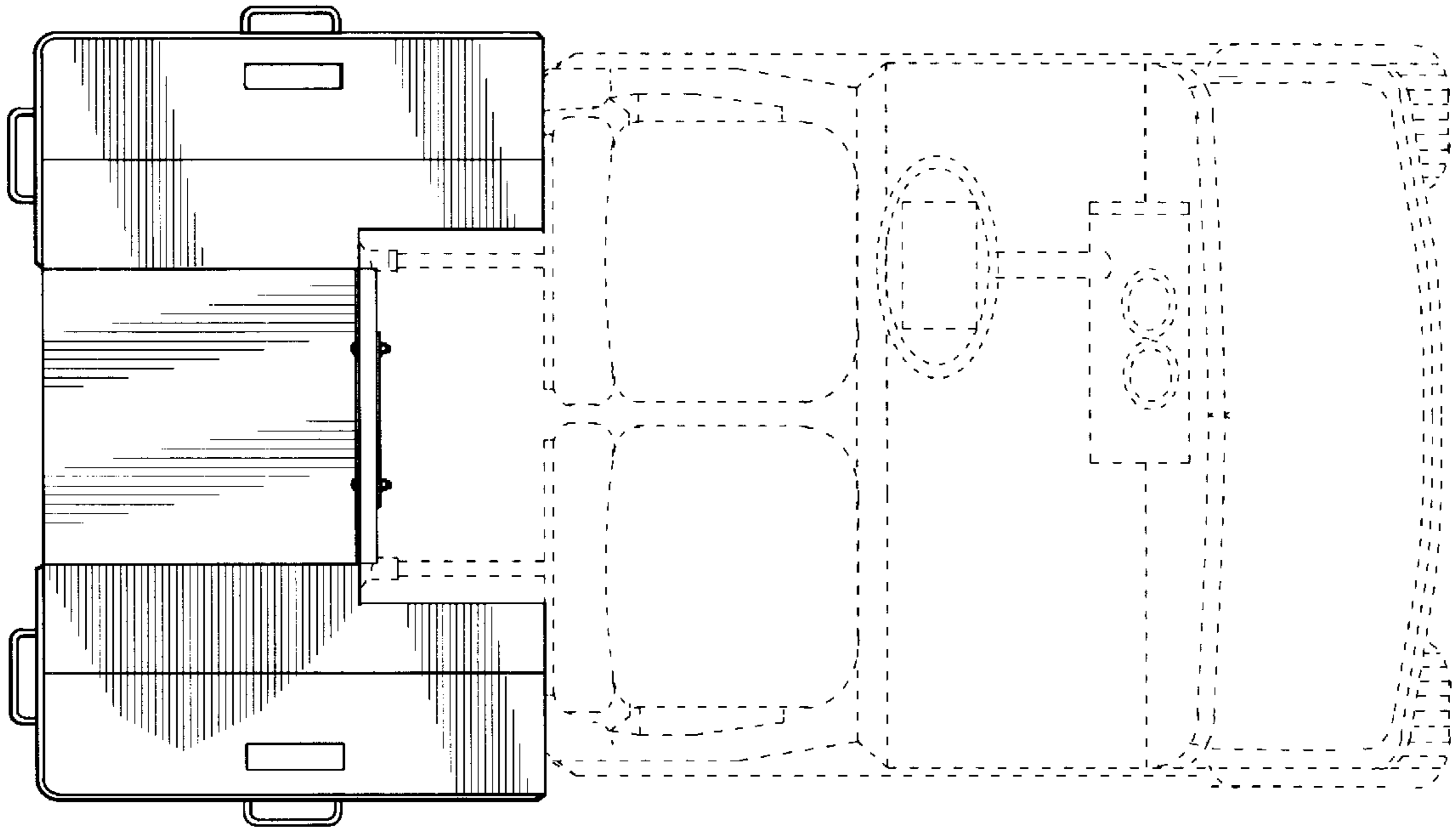


FIG. 12

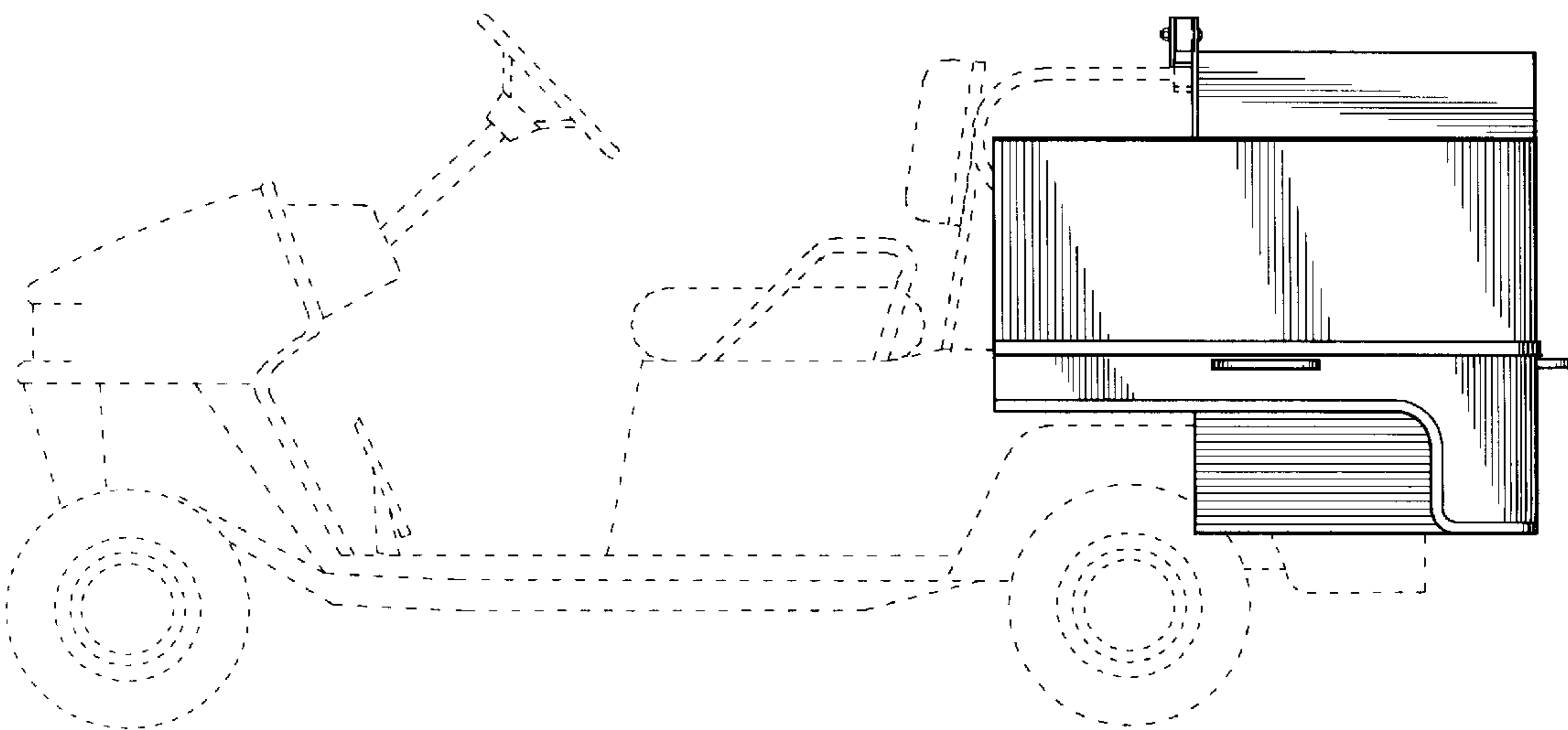


FIG. 13

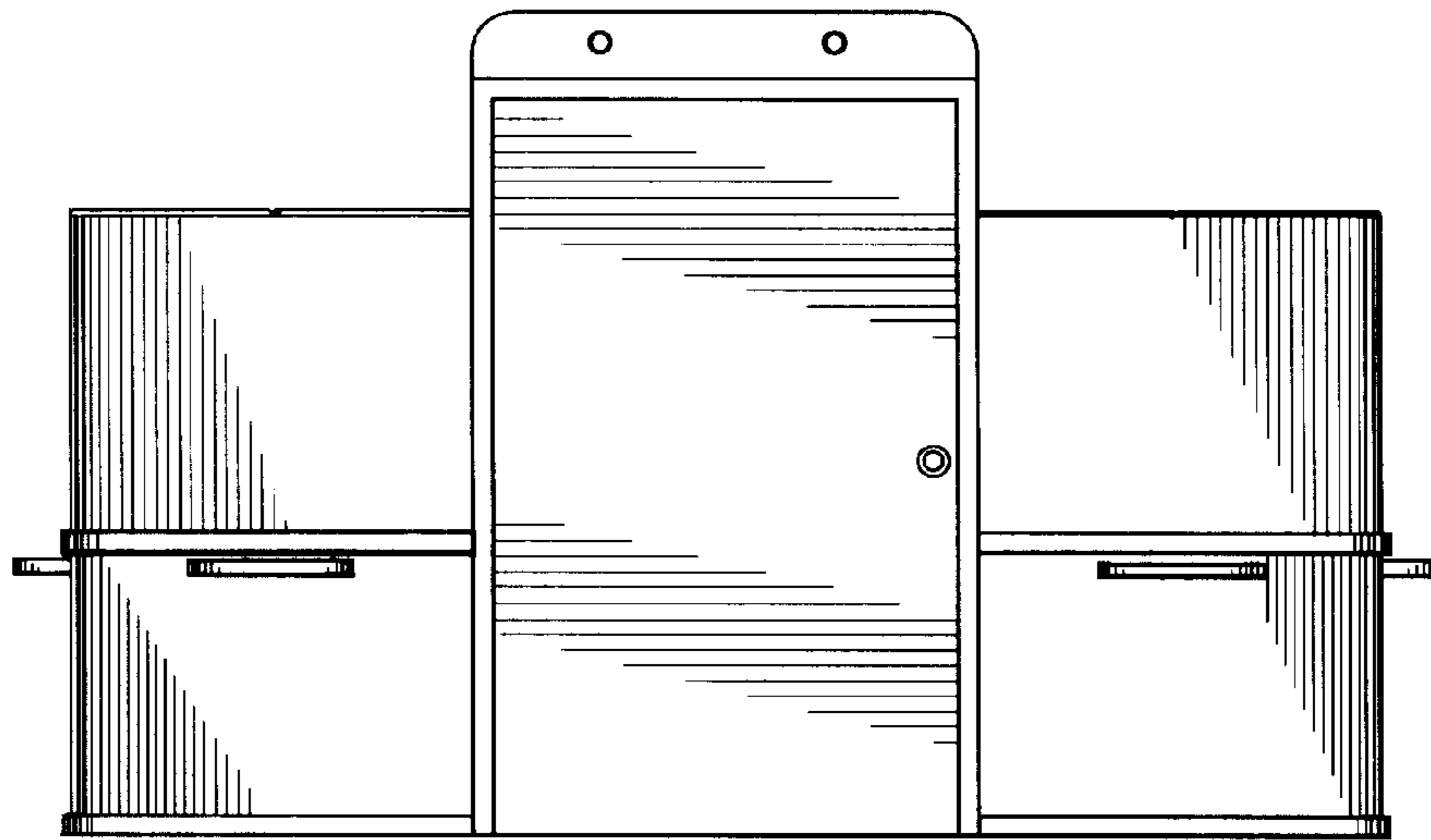


FIG.14

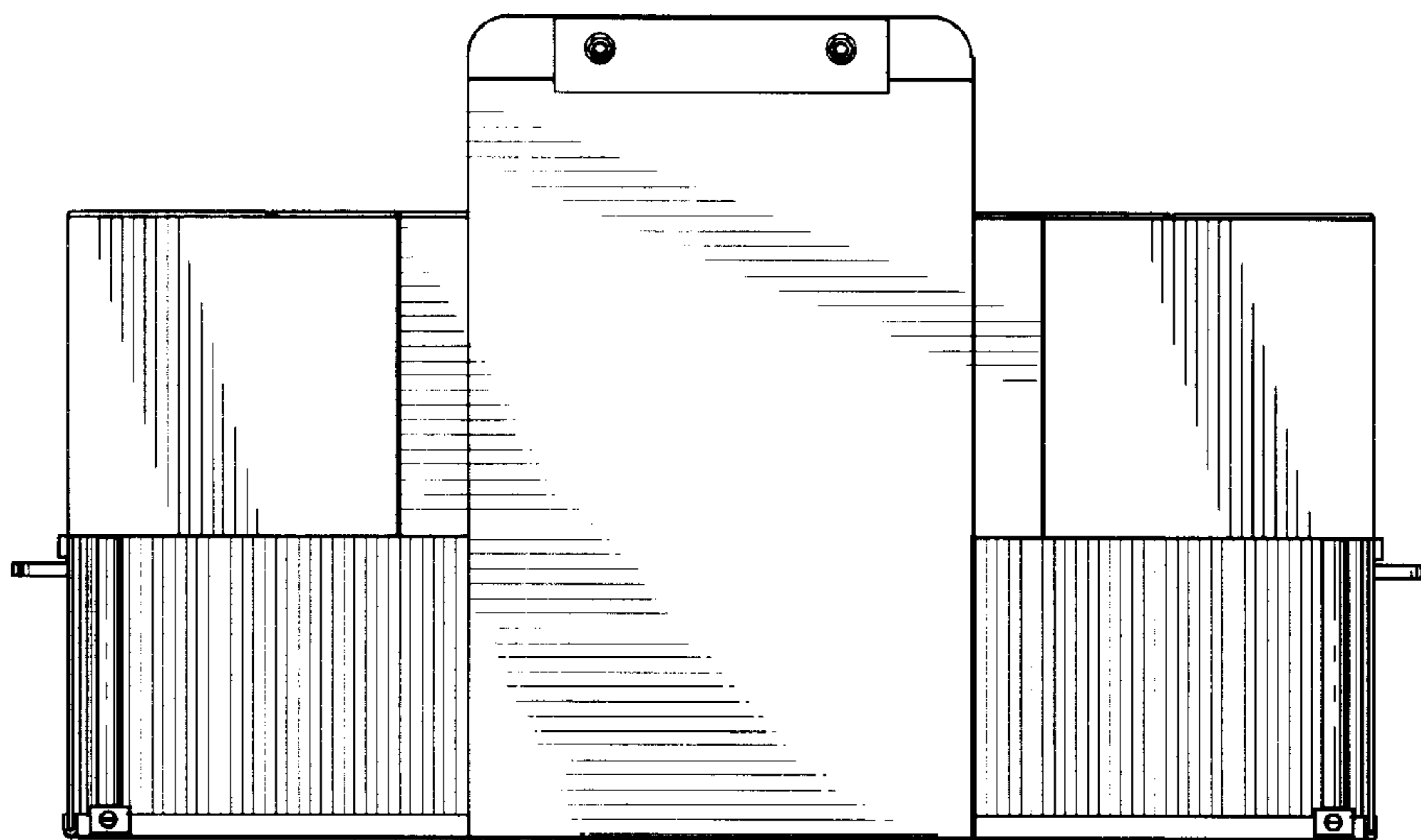


FIG.15