



US00D432362S

# United States Patent [19] Fait

[11] Patent Number: Des. 432,362

[45] Date of Patent: \*\* Oct. 24, 2000

[54] BOWL

[75] Inventor: **Martin Fait**, Světlá nad Sázavou,  
Czech Rep.

[73] Assignee: **Bohemia Crystalex Trading**, Praha,  
Czech Rep.

[\*\*] Term: **14 Years**

[21] Appl. No.: **29/115,675**

[22] Filed: **Dec. 17, 1999**

[51] LOC (7) Cl. .... **07-01**

[52] U.S. Cl. .... **D7/562; D7/560; D7/565;**  
D7/586

[58] Field of Search ..... D7/543, 545, 558,  
D7/551, 560, 562, 563, 564, 565, 584,  
585, 586, 587, 602; 220/574, 575; D11/155

[56] **References Cited**

**U.S. PATENT DOCUMENTS**

D. 63,895	2/1924	Grabberger	.....	D7/565
D. 74,712	3/1928	Beam	.....	D7/558
D. 78,585	5/1929	Nock	.....	D7/558
D. 102,772	1/1937	Williams	.....	D7/565
D. 122,173	8/1940	Sawyer	.....	D7/560

D. 200,333	2/1965	Holzwarth et al.	.....	D7/558
D. 321,815	11/1991	Bowdler	.....	D7/560
D. 414,080	9/1999	Bolwien	.....	D7/602

*Primary Examiner*—M. N. Pandozzi  
*Attorney, Agent, or Firm*—Orum & Roth

[57] **CLAIM**

I claim the ornamental design for the bowl, as shown and described.

**DESCRIPTION**

FIG. 1 is a perspective view of a bowl showing my new design;  
 FIG. 2 is a front elevational view thereof, the rear elevational view, and side elevational views, being the same as the front elevational view;  
 FIG. 3 is a bottom view thereof;  
 FIG. 4 is a top view thereof;  
 FIG. 5 is a perspective view of a second embodiment of the bowl showing my new design;  
 FIG. 6 is a front elevational view of the second embodiment, the rear and side elevational views being the same as the front elevational view;  
 FIG. 7 is a bottom view of the second embodiment; and,  
 FIG. 8 is a top view of the second embodiment.

**1 Claim, 4 Drawing Sheets**

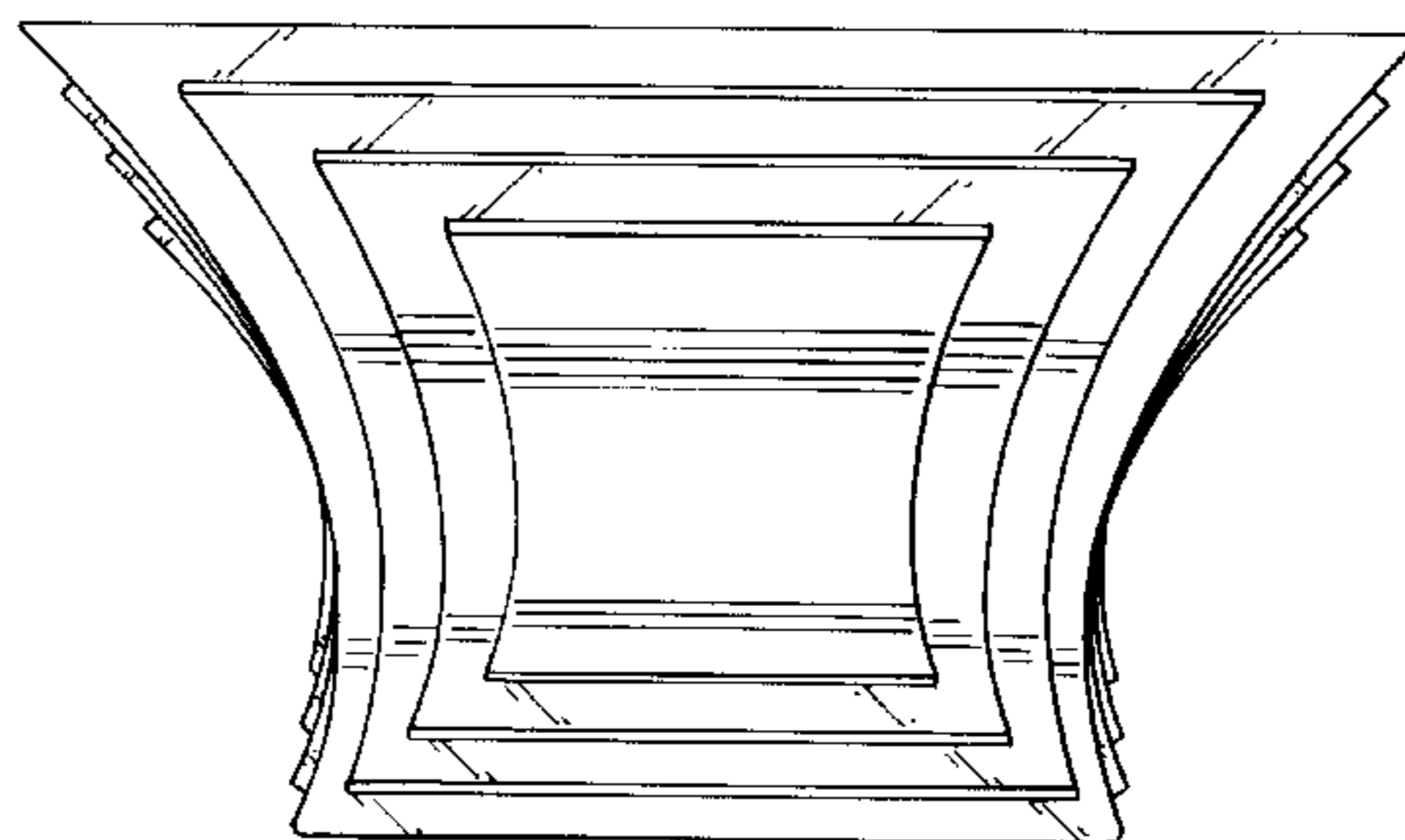
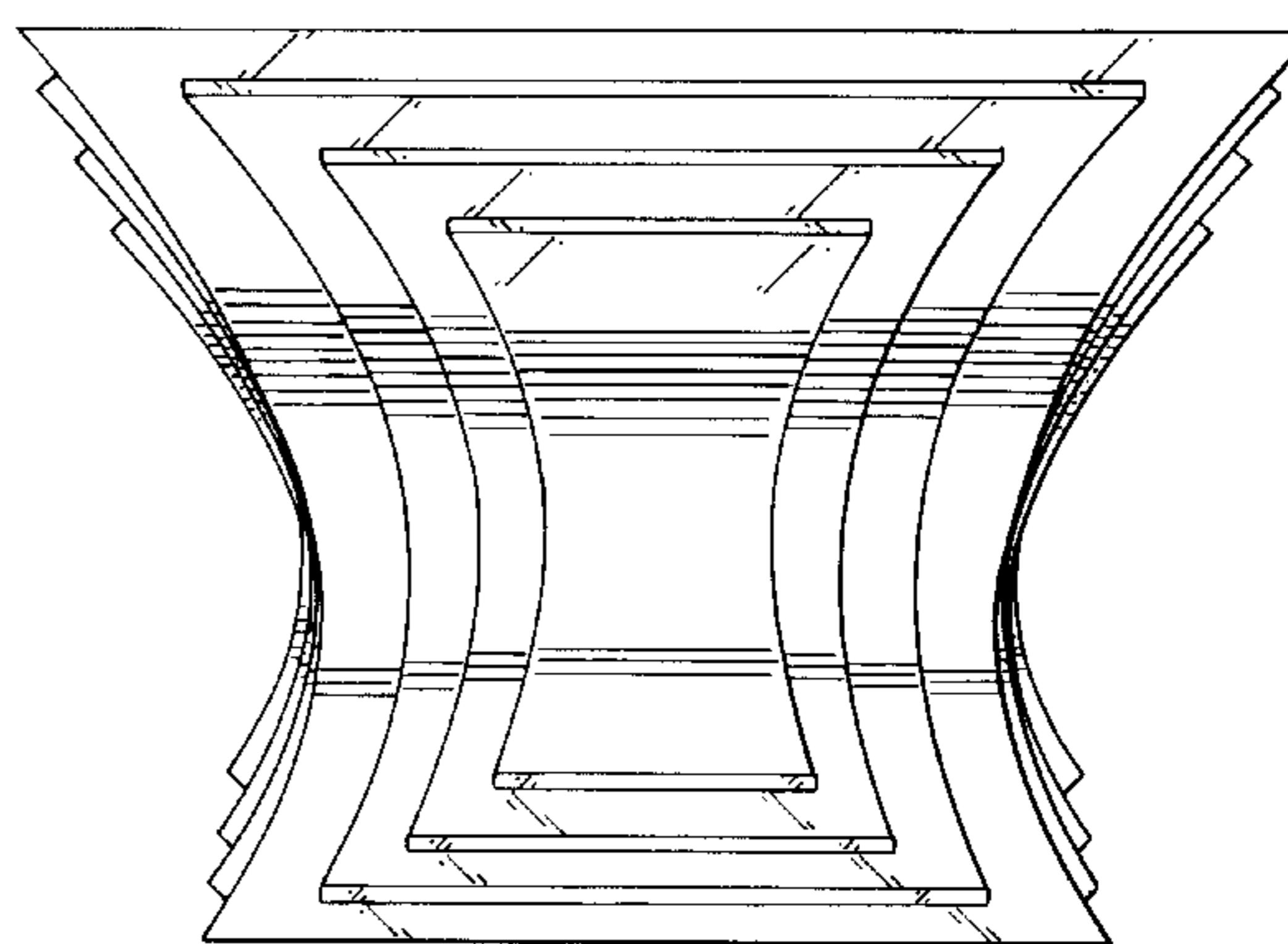
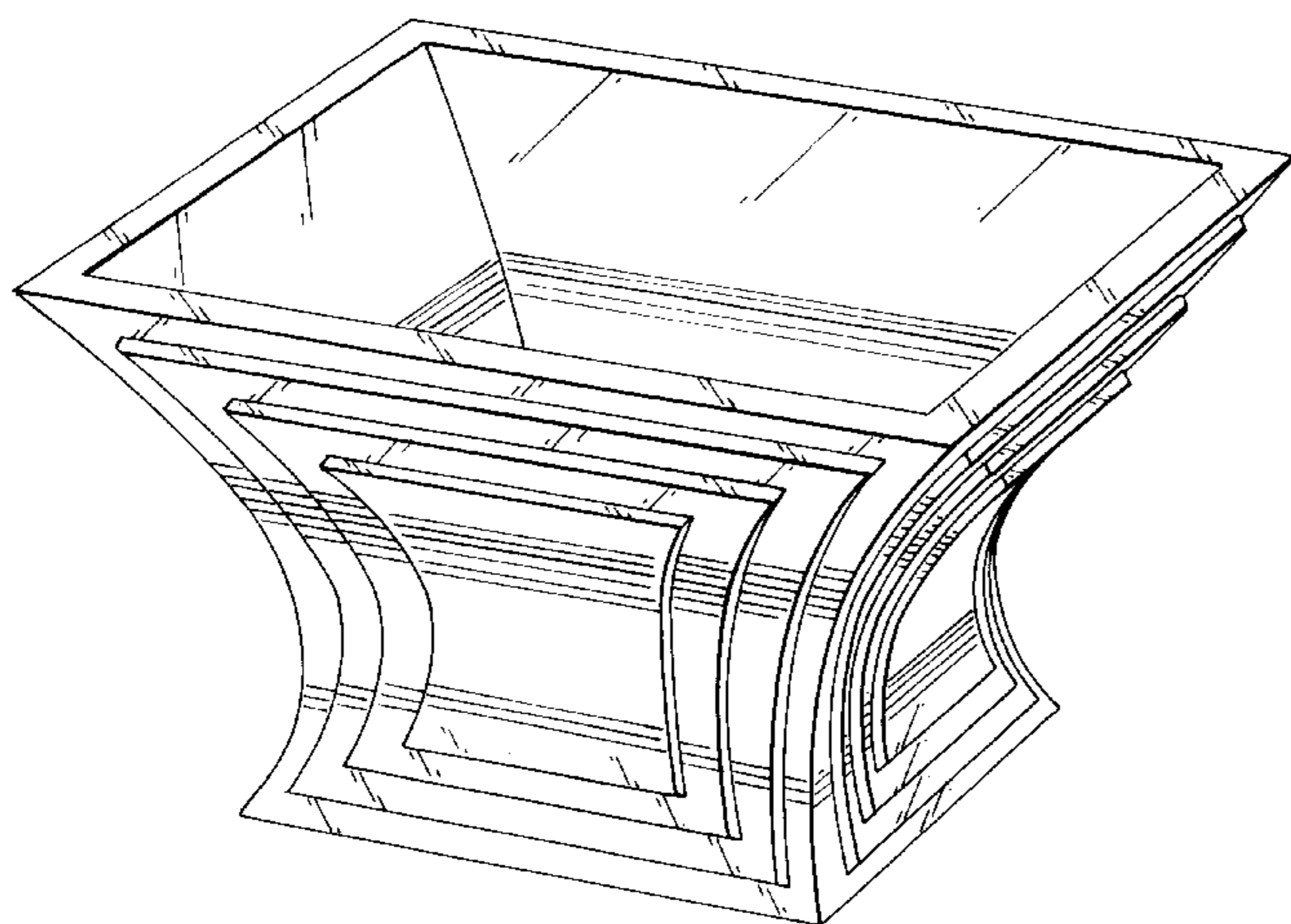


FIG. 1

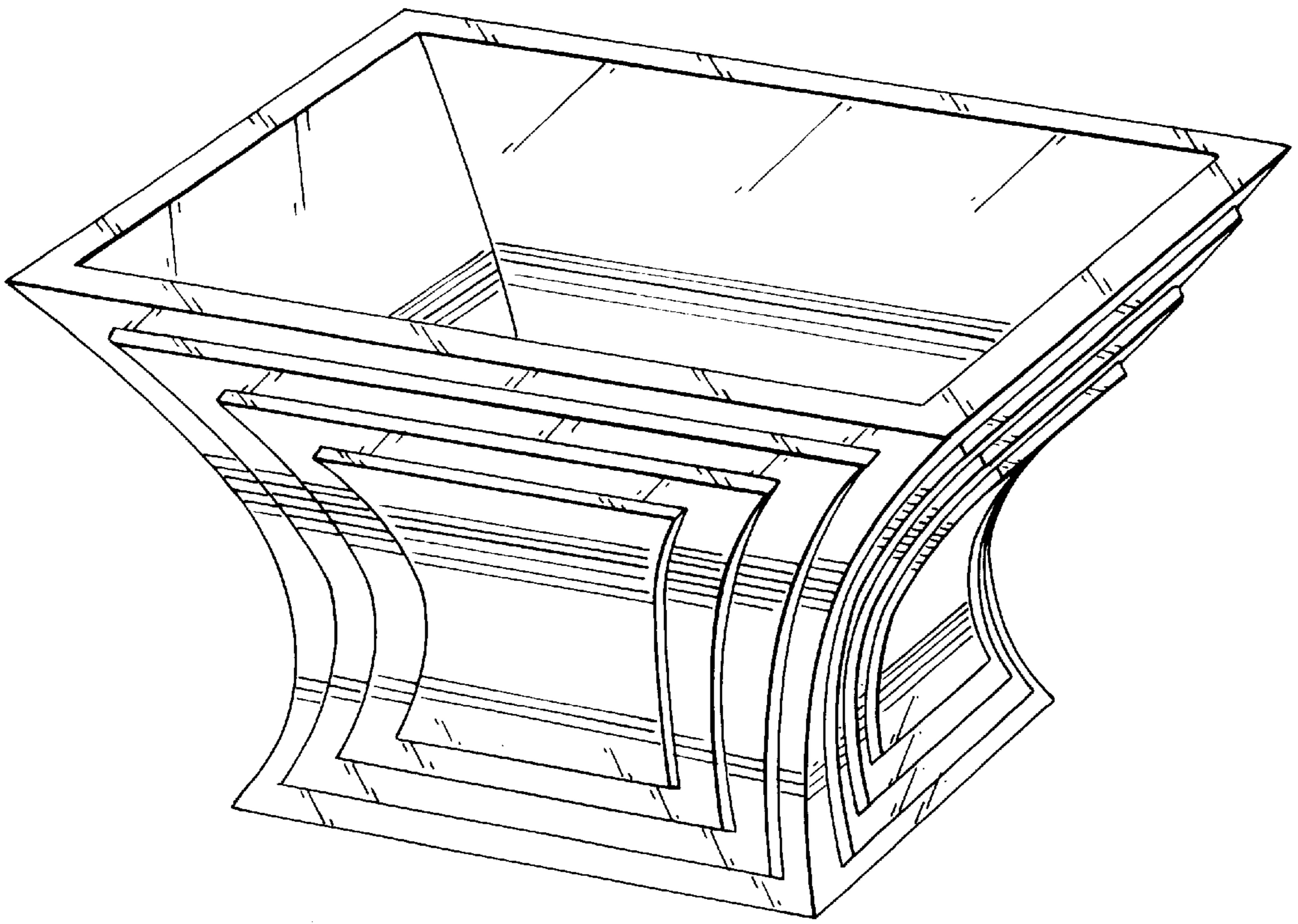


FIG. 2

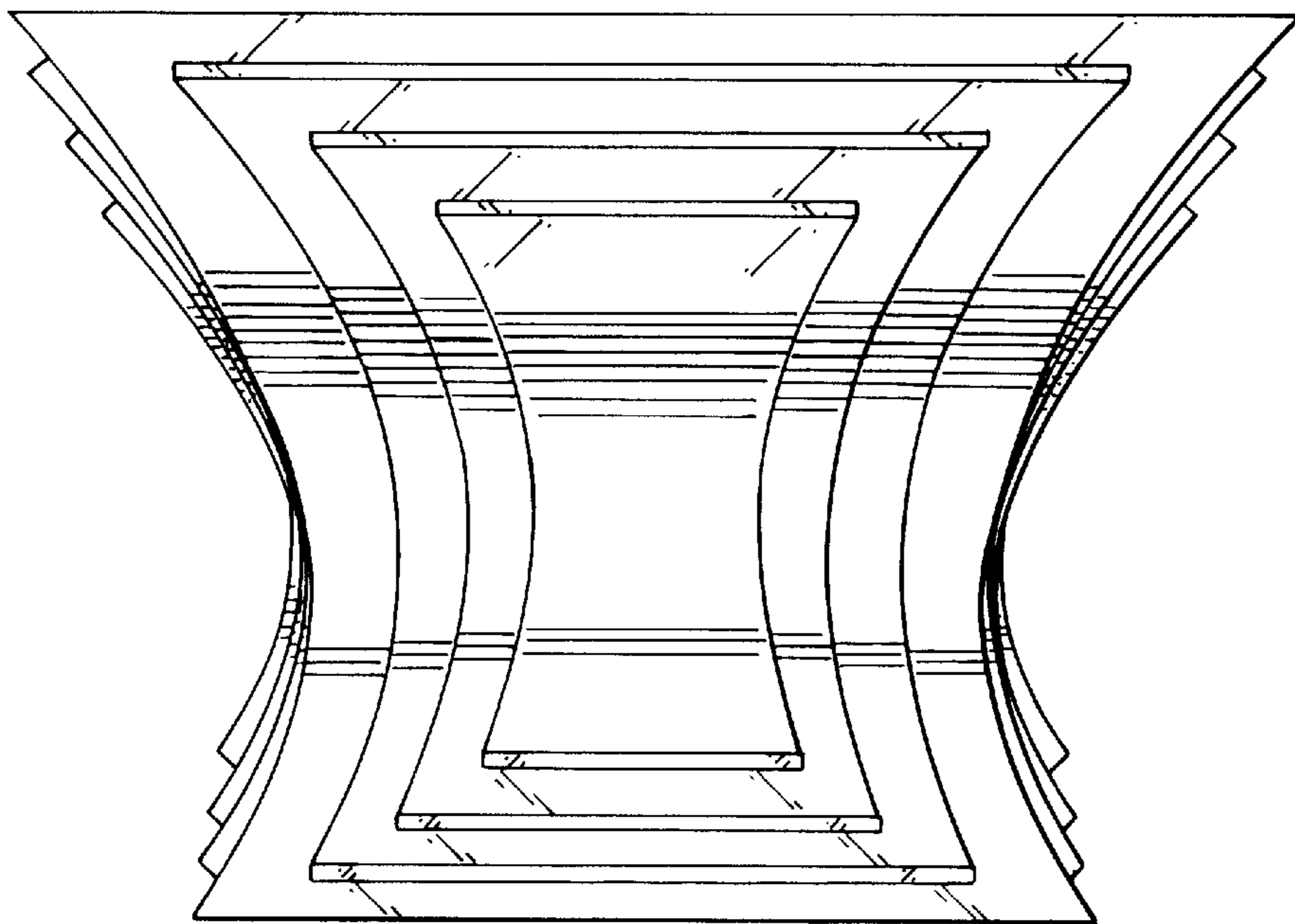


FIG. 3

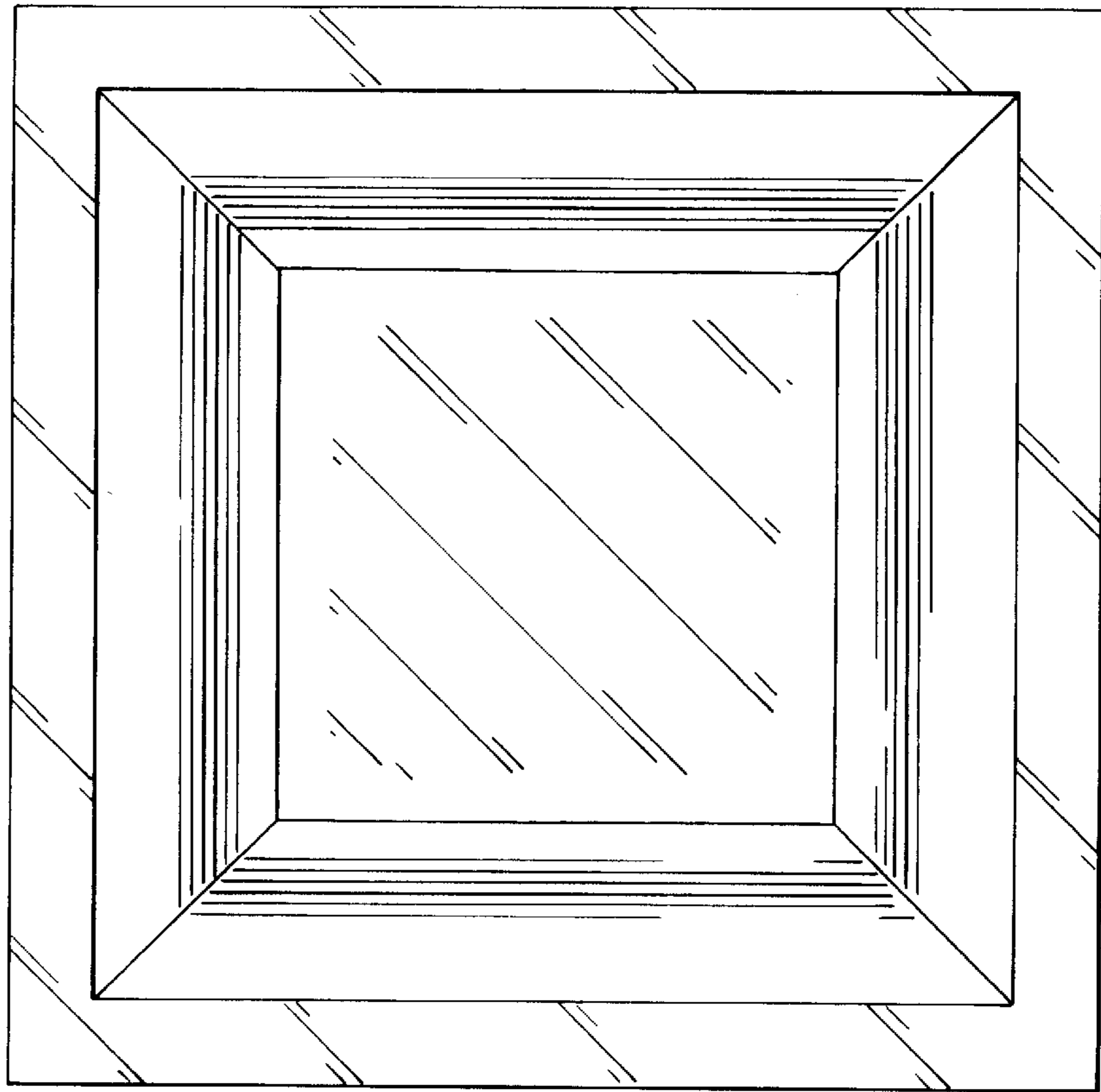


FIG. 4

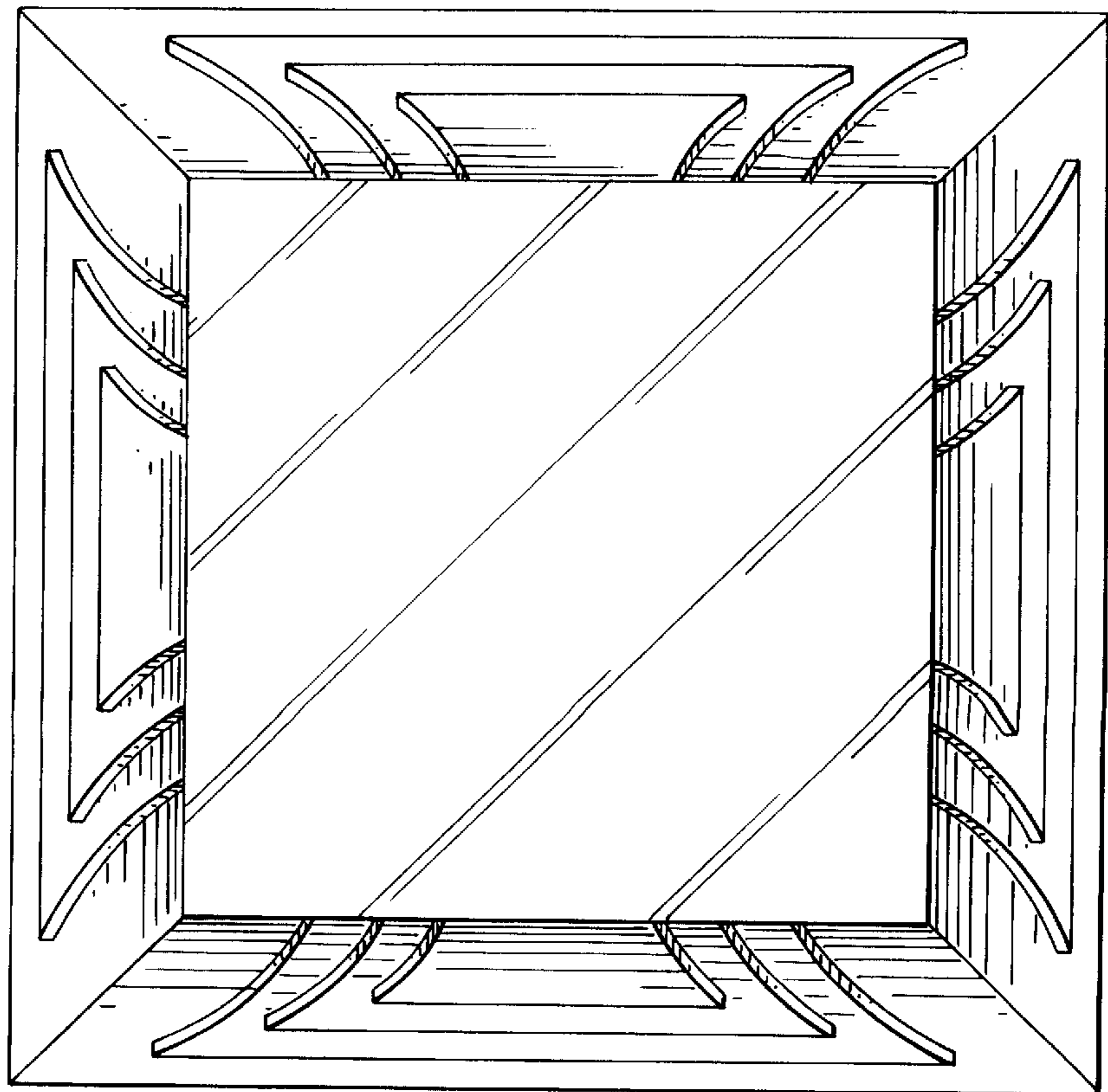


FIG. 5

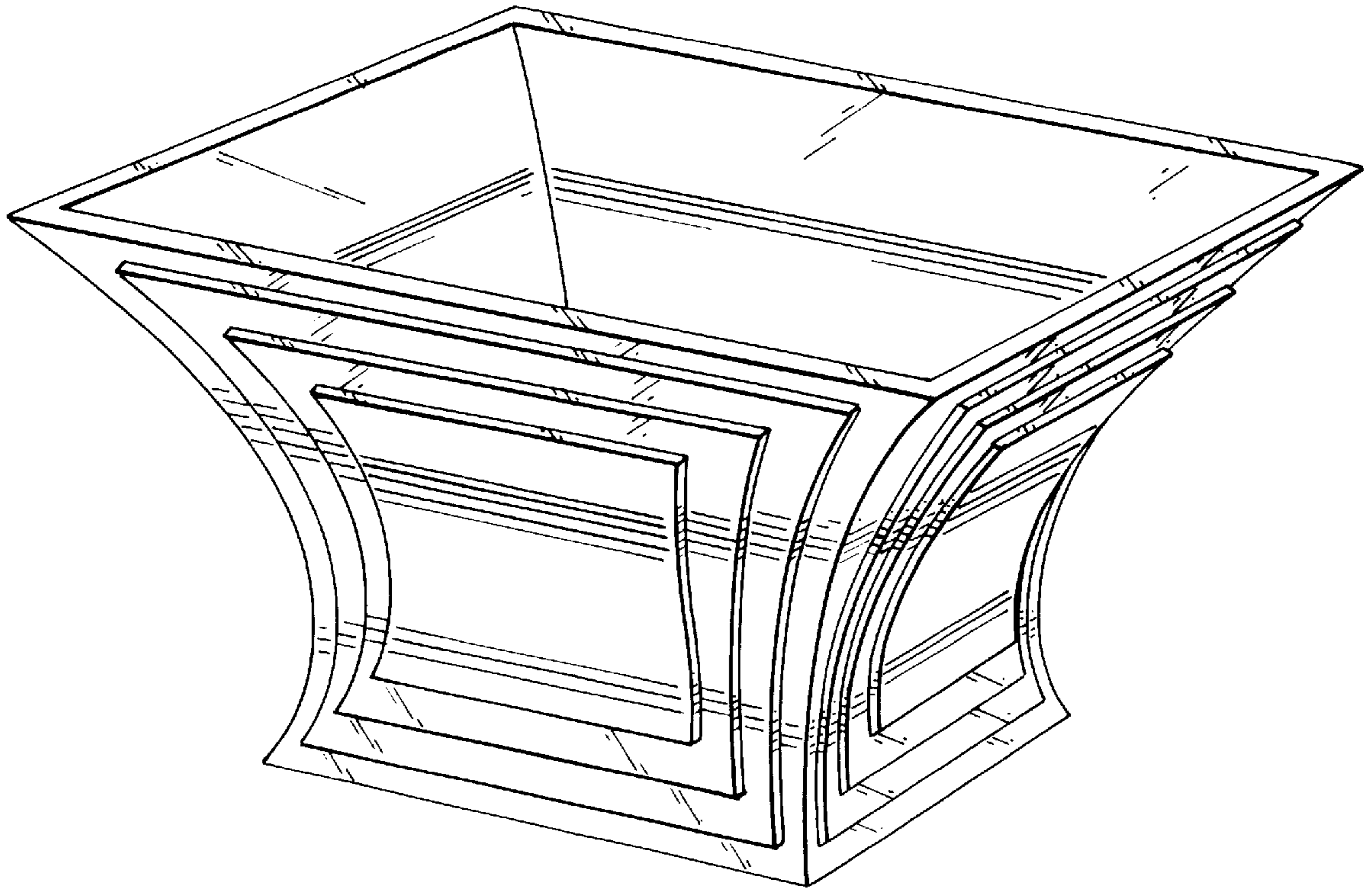


FIG. 6

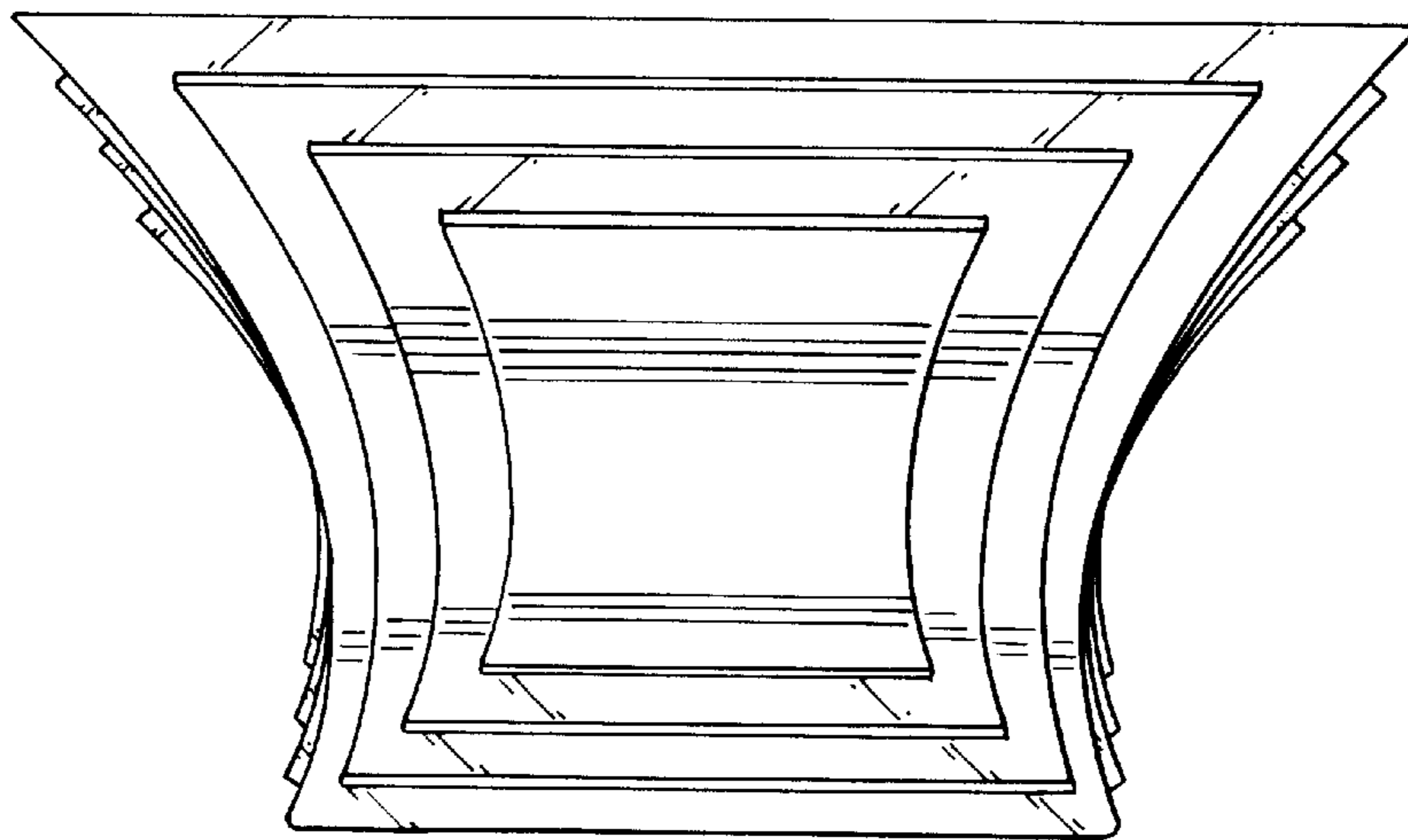


FIG. 7

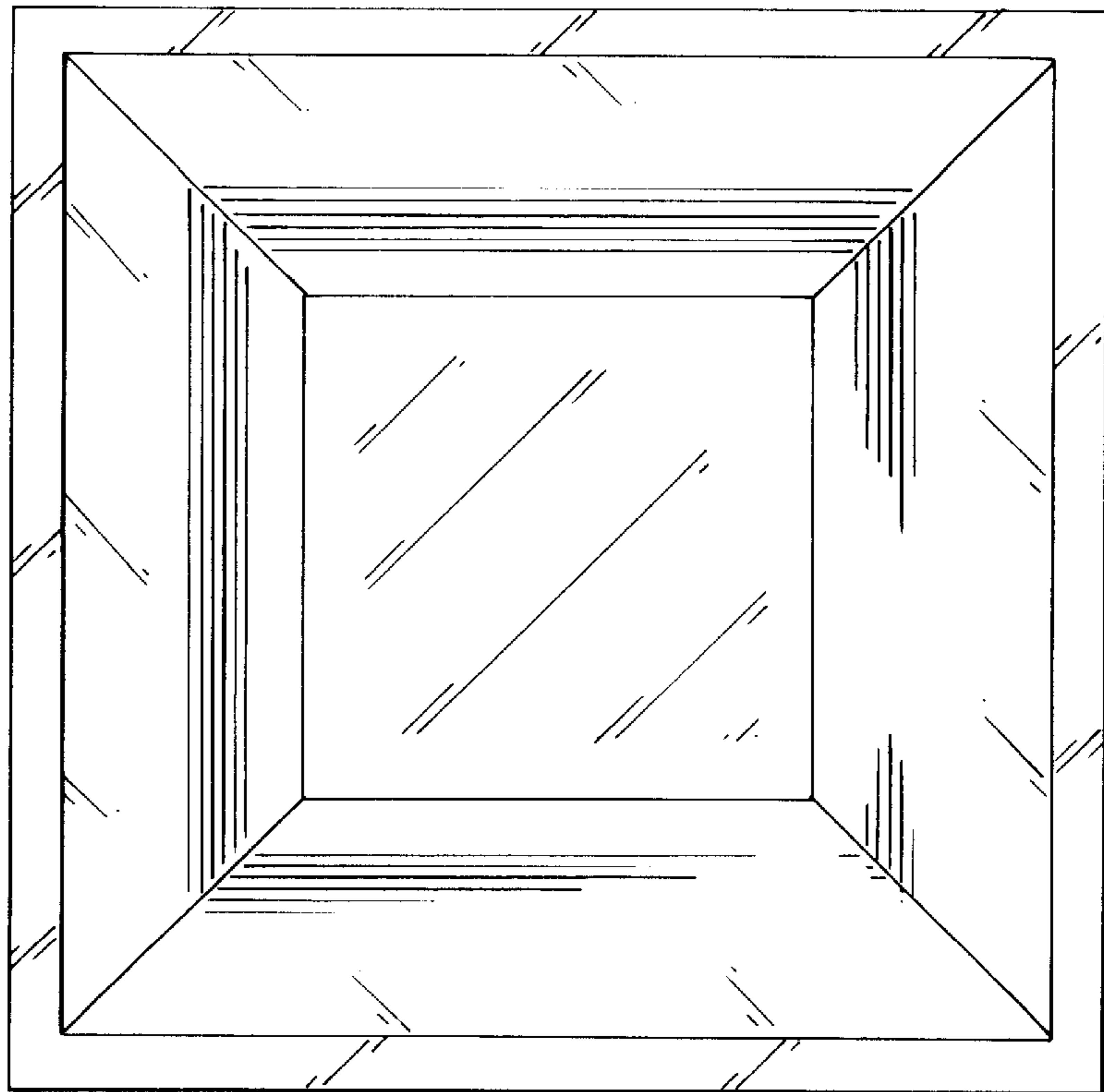


FIG. 8

