



US00D432361S

United States Patent [19]
Jenkins

[11] **Patent Number: Des. 432,361**

[45] **Date of Patent: ** Oct. 24, 2000**

[54] **TRAY**

[75] Inventor: **Gary John Jenkins**, Collingham,
United Kingdom

[73] Assignee: **Linpac Plastics Limited**, West
Yorkshire, United Kingdom

[**] Term: **14 Years**

[21] Appl. No.: **29/109,175**

[22] Filed: **Aug. 11, 1999**

[30] **Foreign Application Priority Data**

Feb. 13, 1998 [GB] United Kingdom 2081218
Feb. 13, 1998 [GB] United Kingdom 2081220

[51] **LOC (7) Cl.** **07-01**

[52] **U.S. Cl.** **D7/554.3**

[58] **Field of Search** D7/550.1, 554.3,
D7/554.4, 585, 586, 587, 588, 396.1; 99/425;
126/390; 220/575, 574, 23.8, 528, 23.83;
206/562, 538, 561, 525

[56] **References Cited**

U.S. PATENT DOCUMENTS

D. 288,396 2/1987 Ritman D7/554.3
D. 289,844 5/1987 Daenen et al. D7/501
5,676,276 10/1997 Zielinski et al. 220/575

Primary Examiner—Antoine Duval Davis
Attorney, Agent, or Firm—Fildes & Outland, P.C.

[57] **CLAIM**

The ornamental design for tray, as shown and described.

DESCRIPTION

FIG. 1 is a bottom plan view of a tray showing my new design;

FIG. 2 is a top sectional perspective view thereof on an enlarged scale;

FIG. 3 is a bottom sectional perspective view on an enlarged scale;

FIG. 4 is a sectional elevational view thereof;

FIG. 5 is an end elevational view thereof, the opposite side being a mirror image;

FIG. 6 is a side elevational view thereof, the opposite side being a mirror image;

FIG. 7 is a top plan view thereof;

FIG. 8 is a bottom plan view of a second embodiment of a tray showing my new design;

FIG. 9 is a top sectional perspective view thereof on an enlarged scale;

FIG. 10 is a bottom sectional perspective view on an enlarged scale;

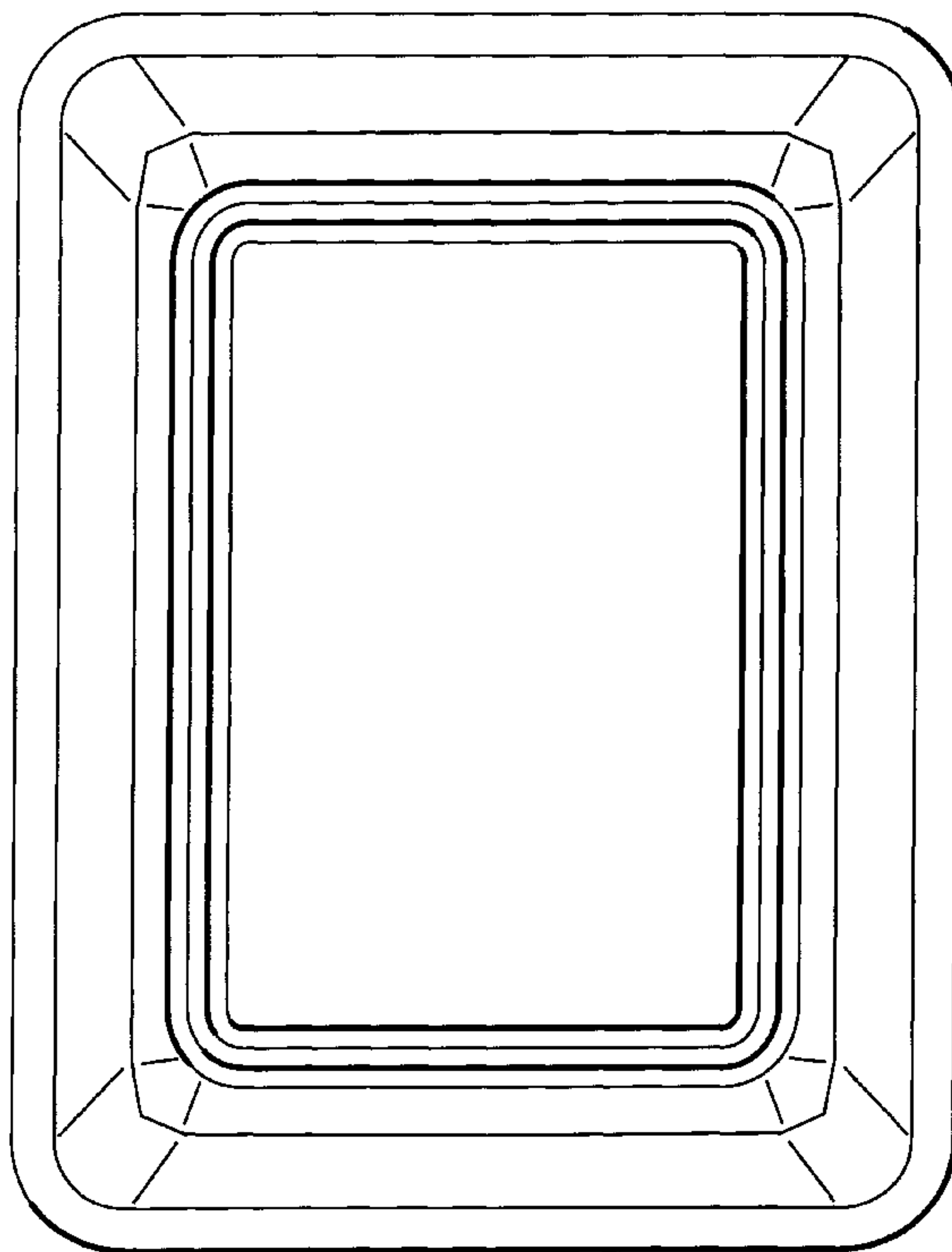
FIG. 11 is a sectional elevational view thereof;

FIG. 12 is an end elevational view thereof, the opposite side being a mirror image;

FIG. 13 is a side elevational view thereof, the opposite side being a mirror image; and,

FIG. 14 is a top plan view thereof.

1 Claim, 10 Drawing Sheets



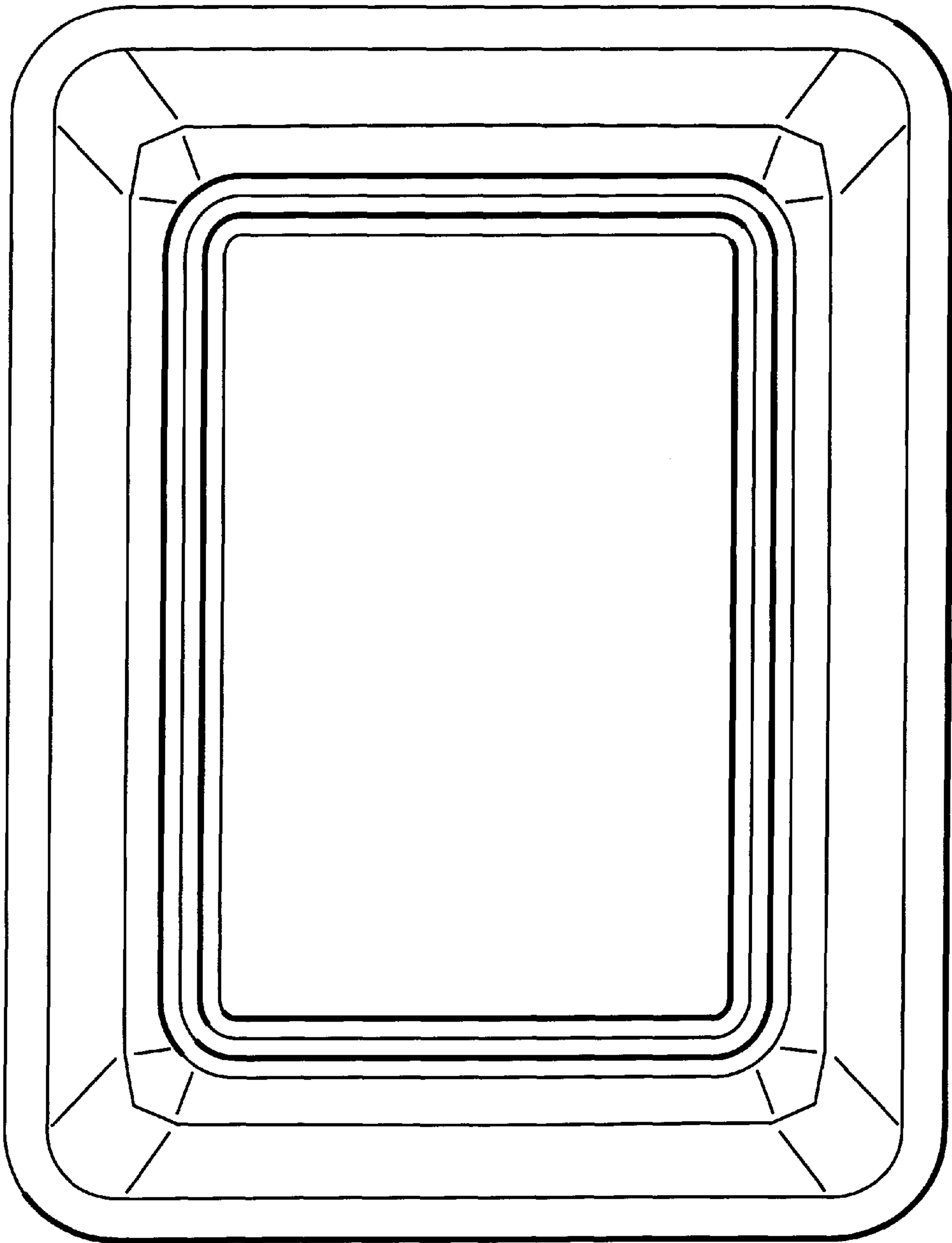


FIG. 1

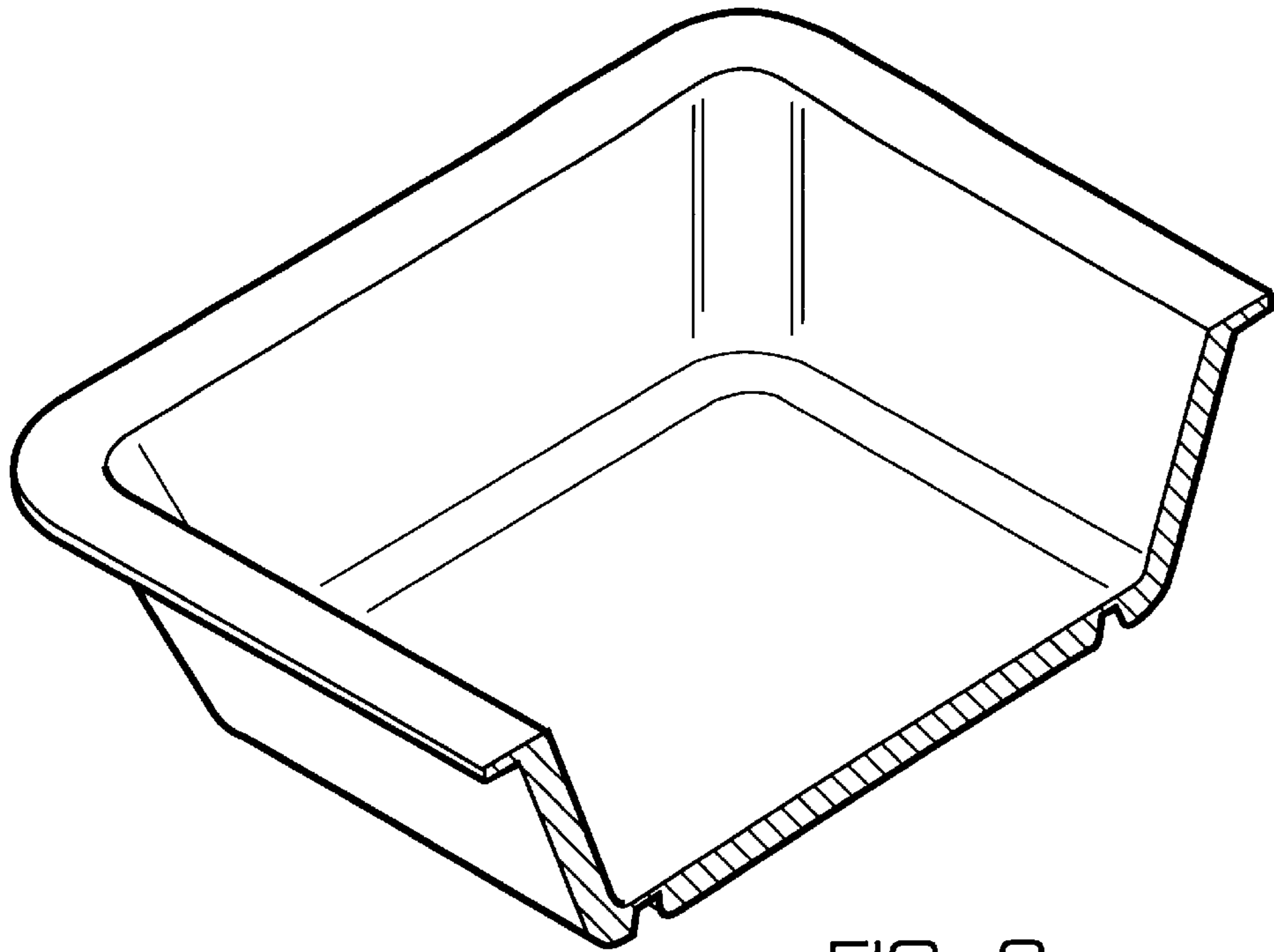


FIG. 2

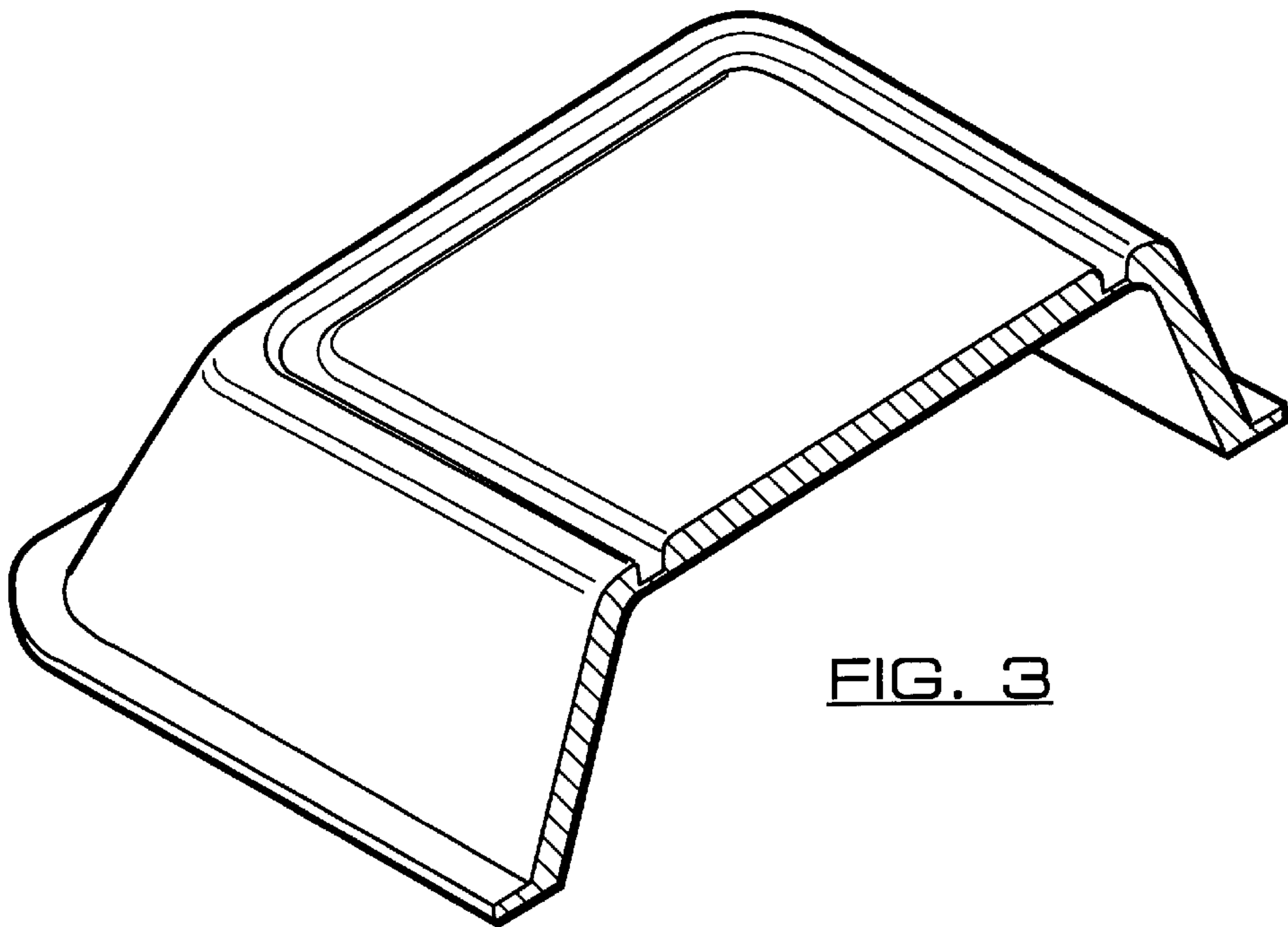


FIG. 3

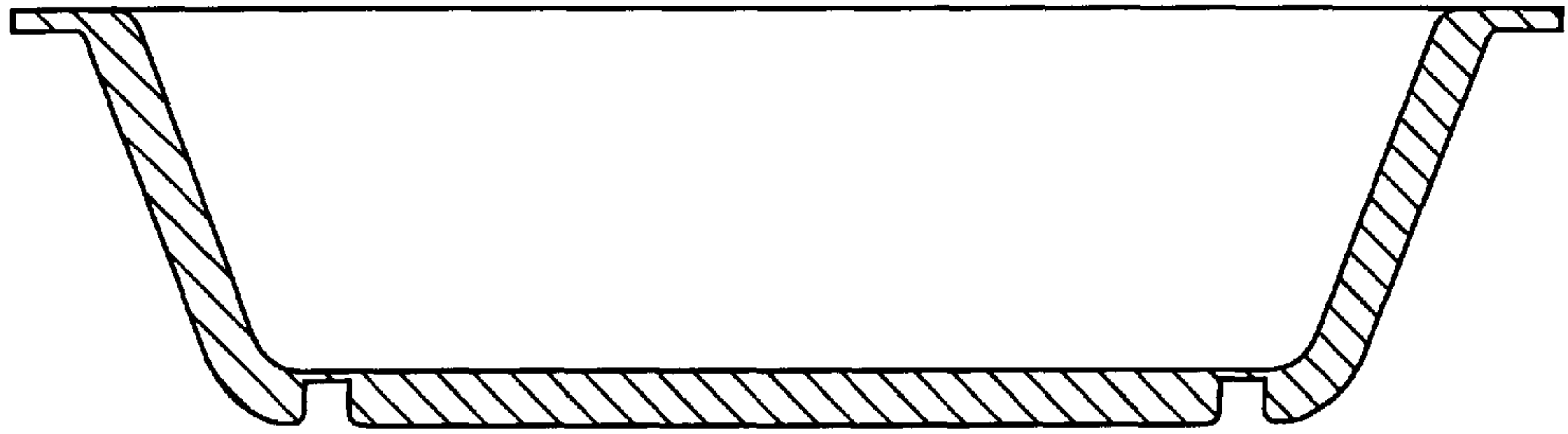


FIG. 4

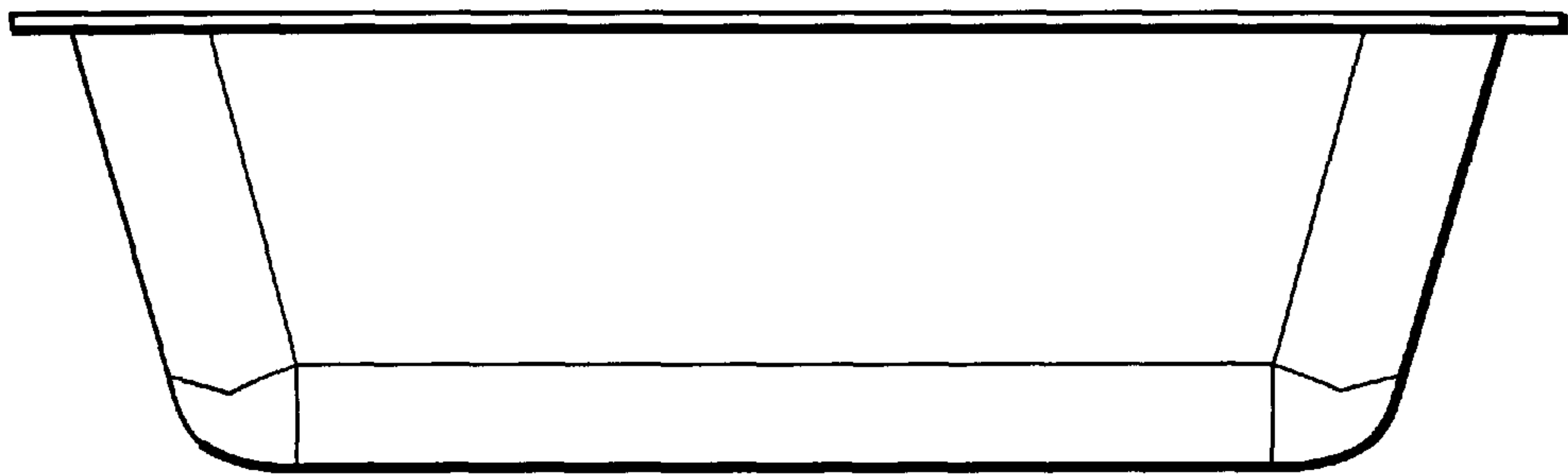


FIG. 5

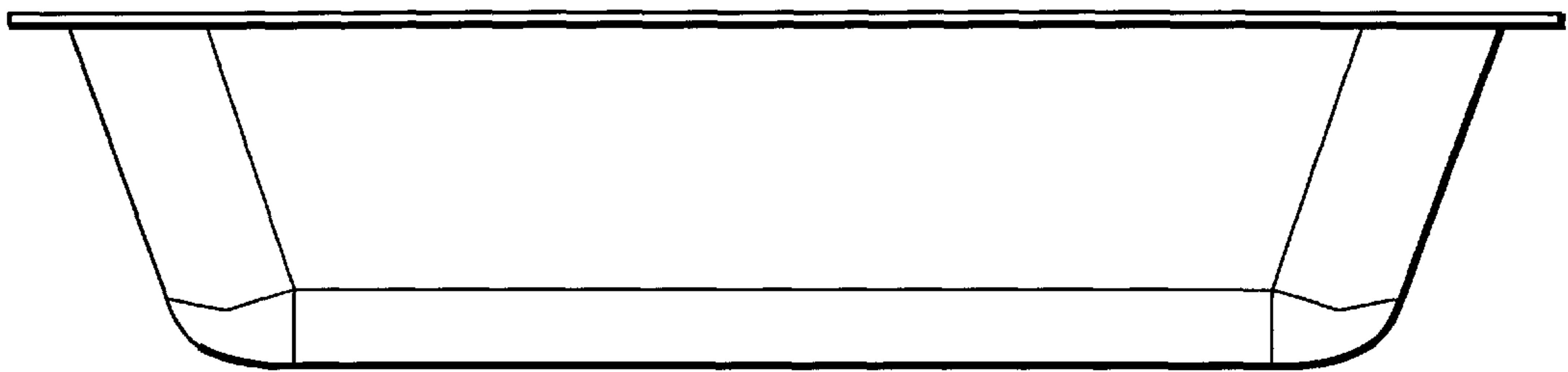


FIG. 6

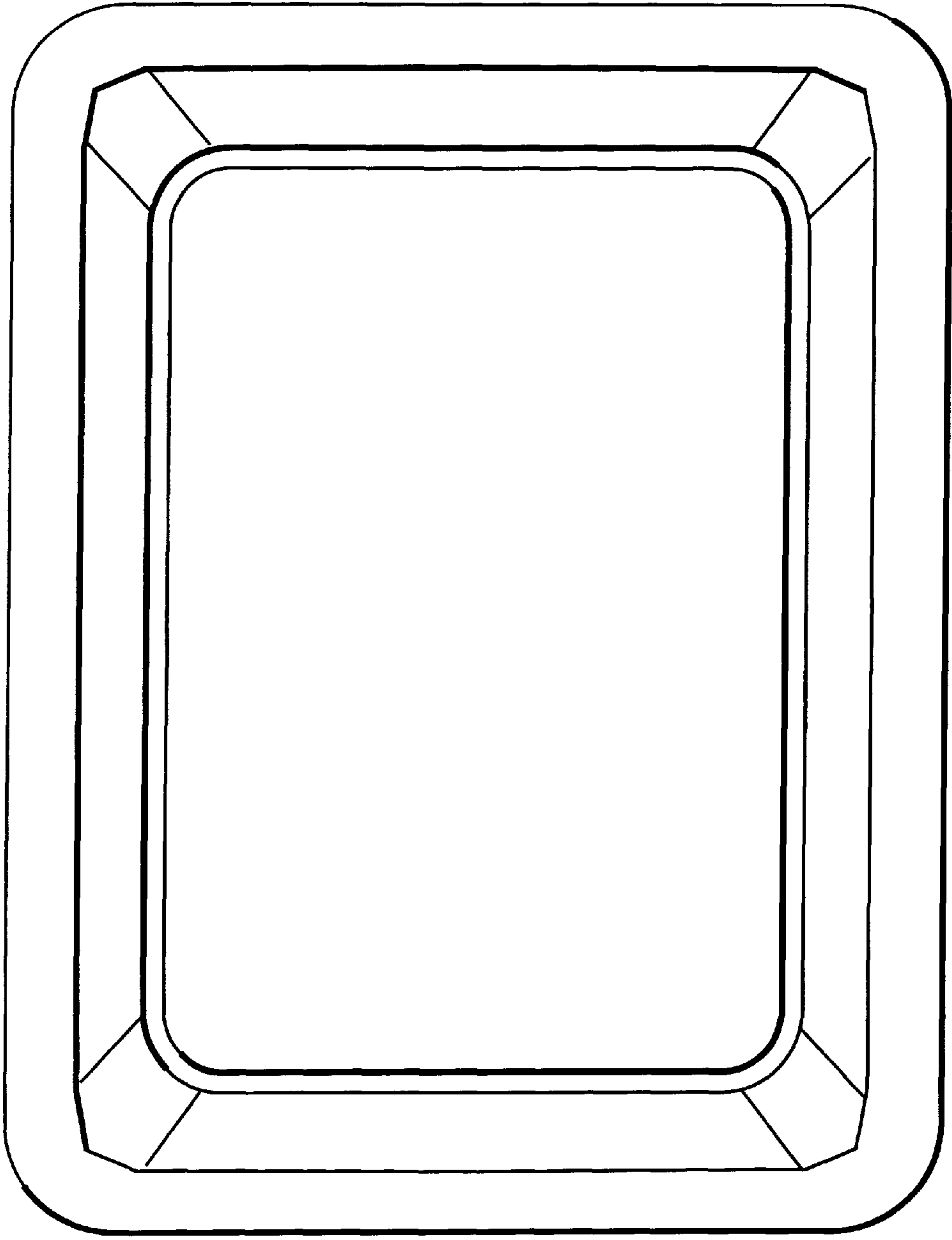


FIG. 7

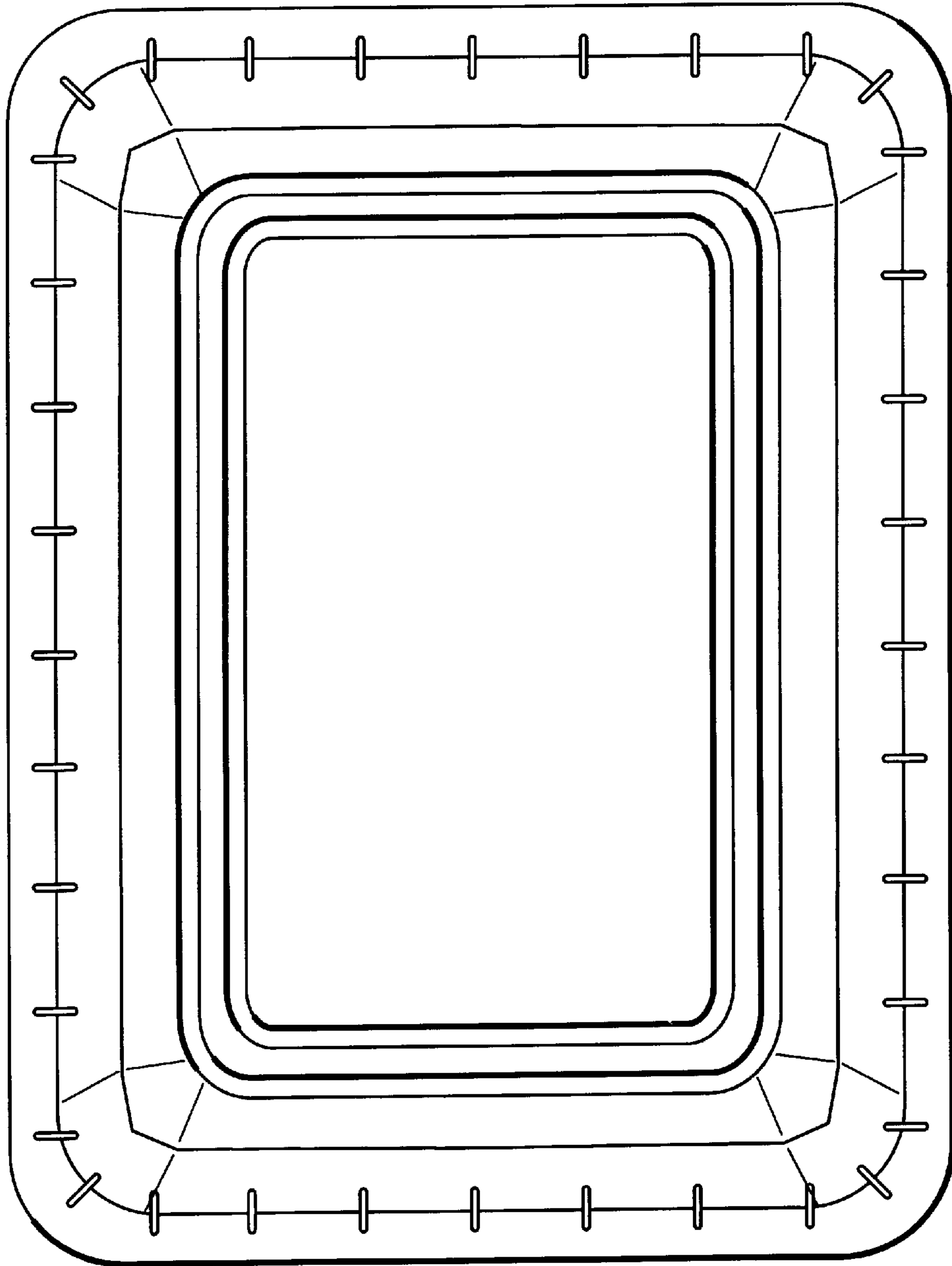


FIG. 8

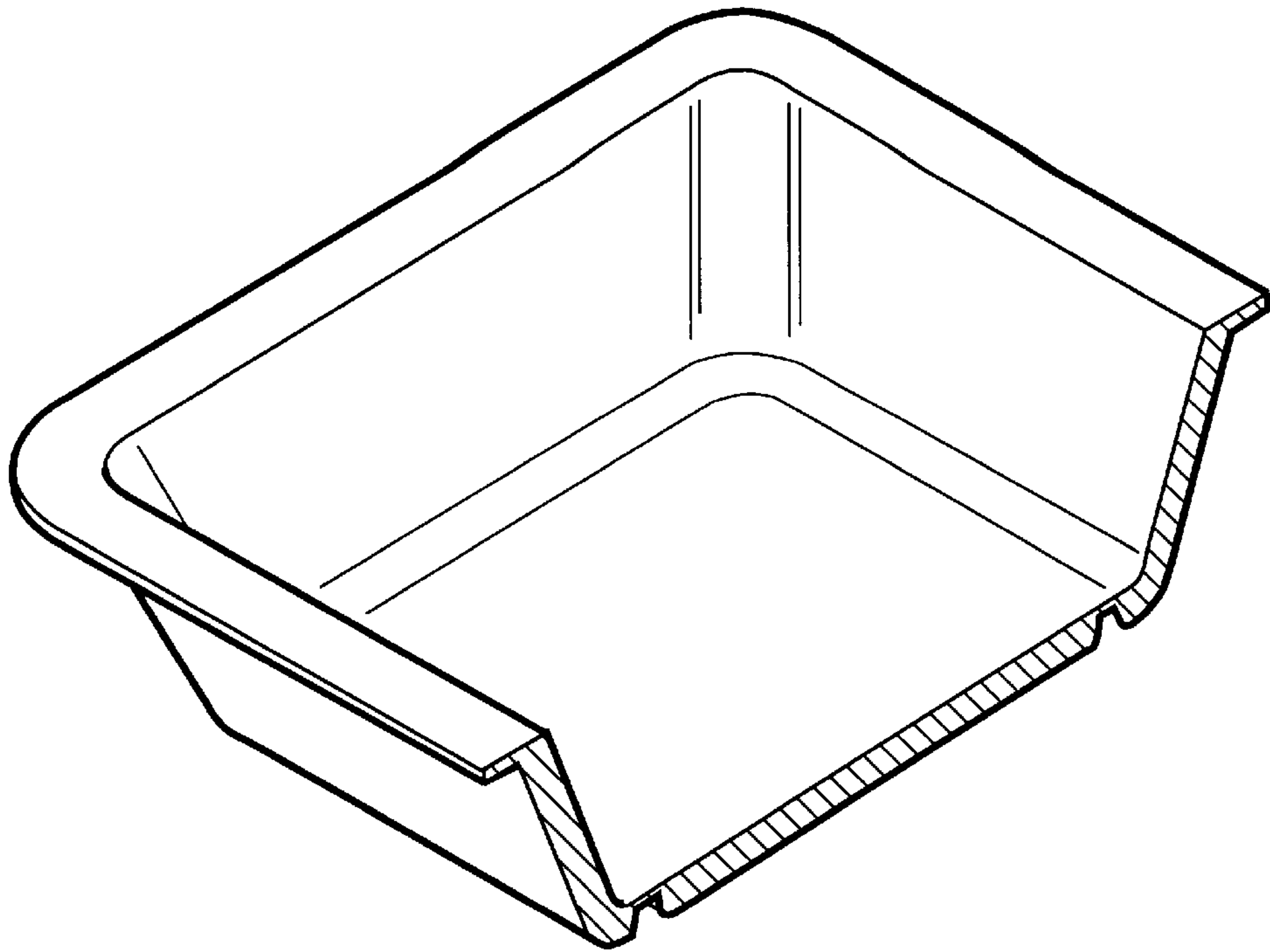


FIG. 9

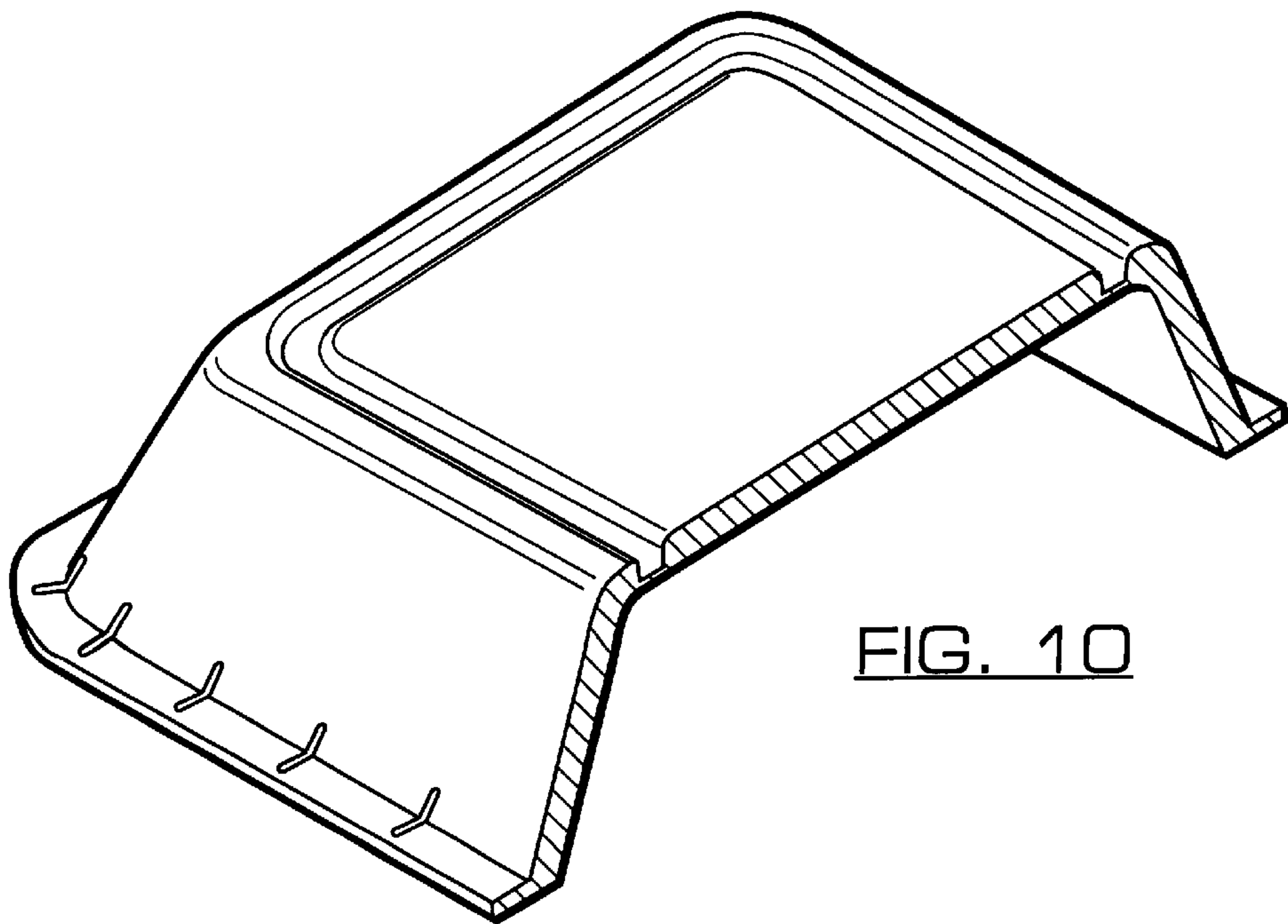


FIG. 10

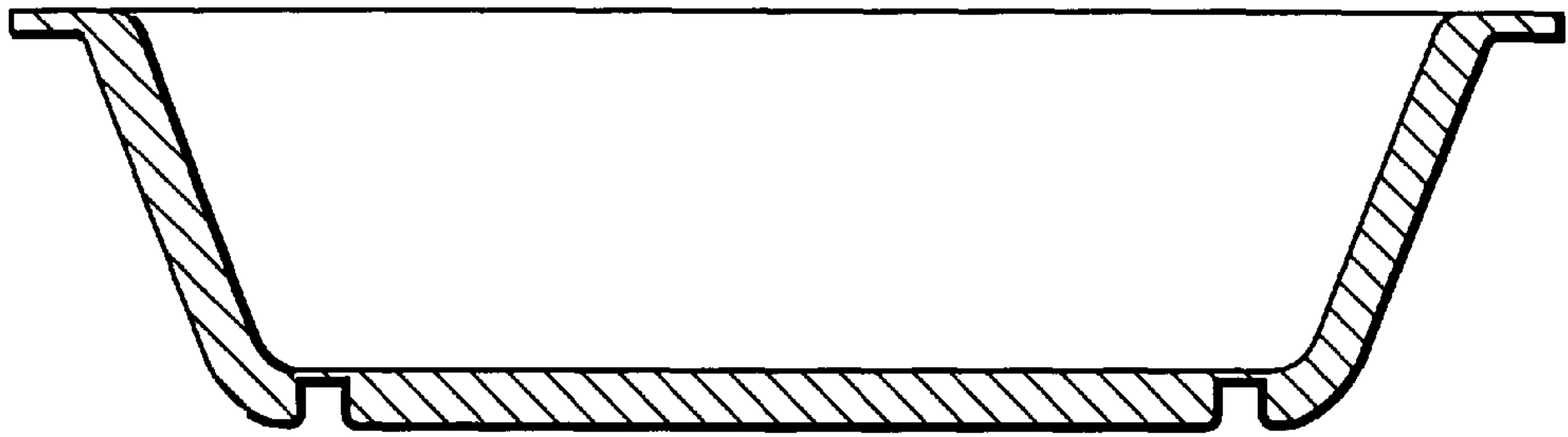


FIG. 11

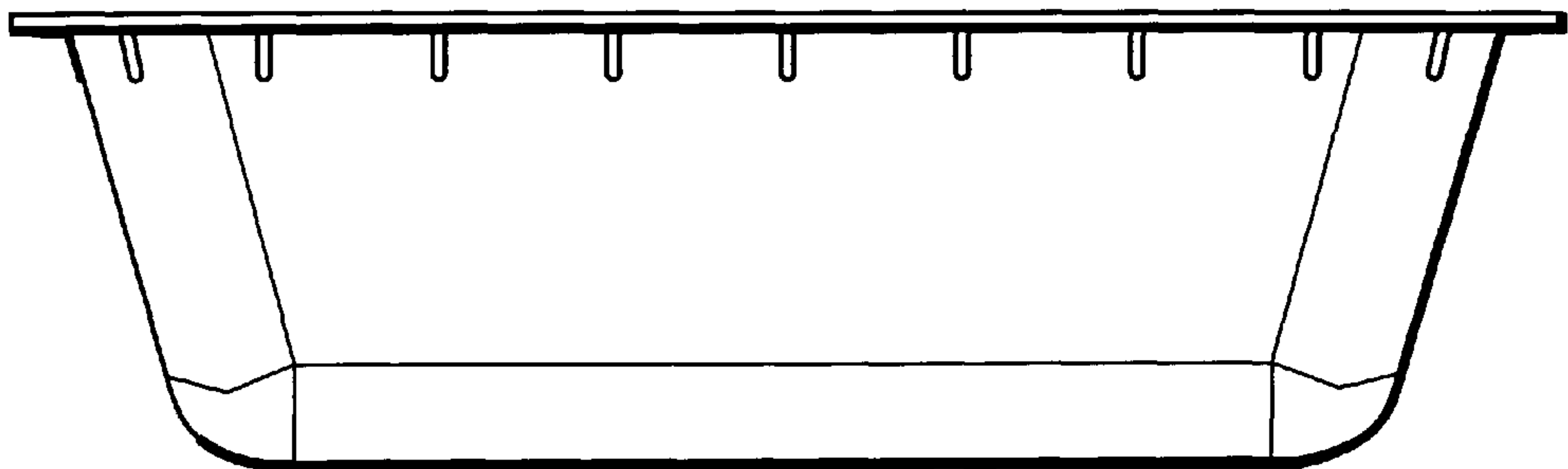


FIG. 12

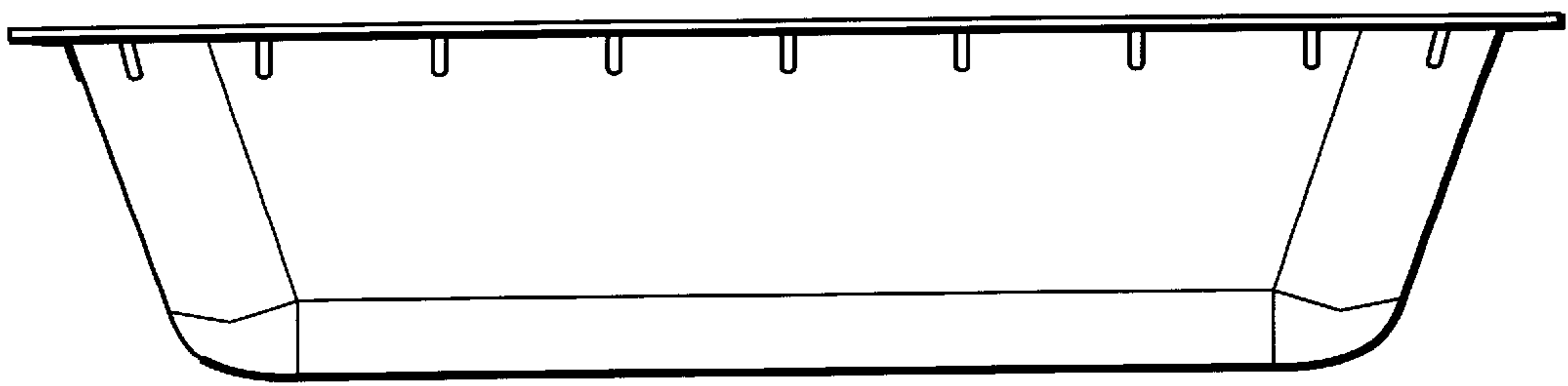


FIG. 13

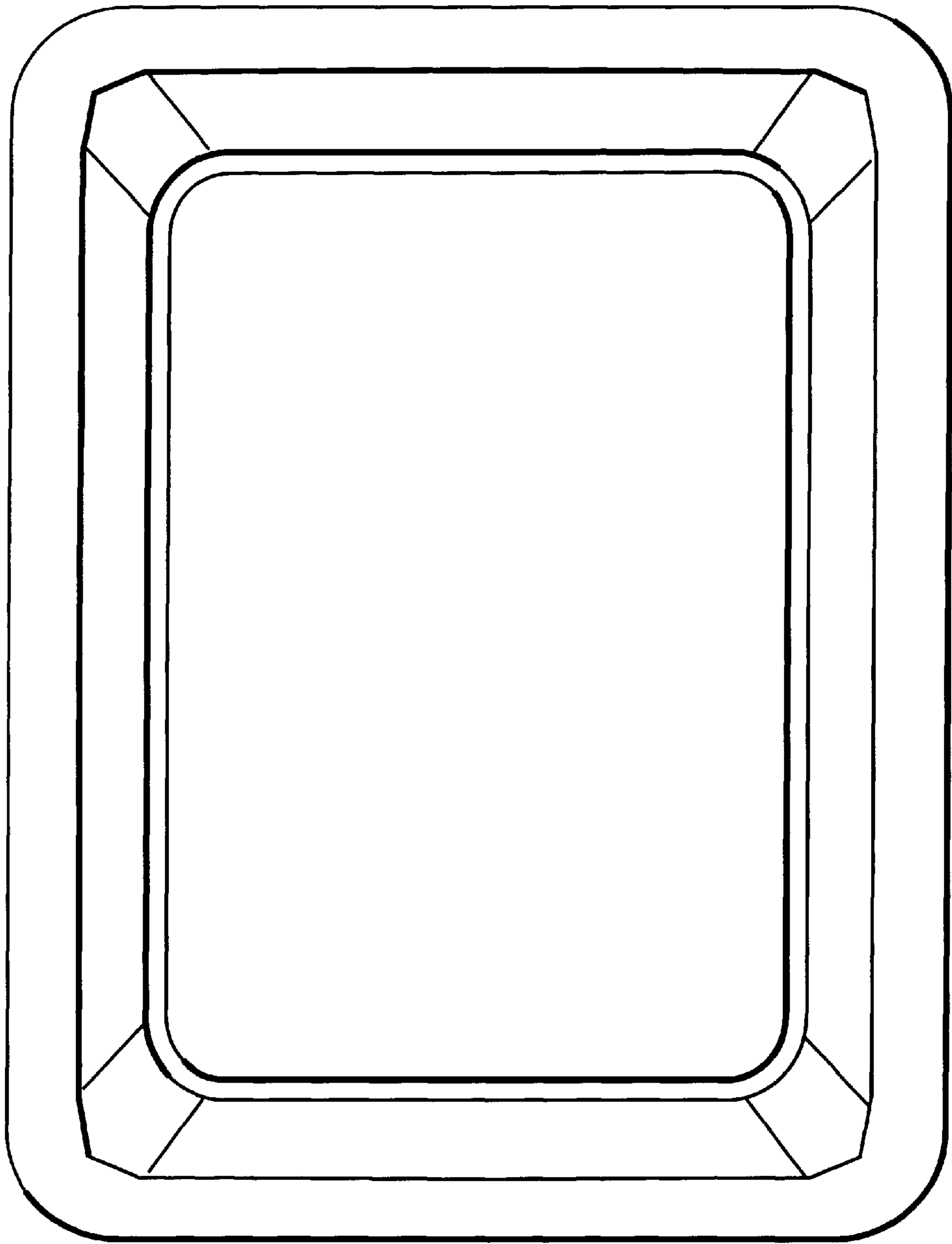


FIG. 14