



US00D432360S

United States Patent [19] Greene

[11] **Patent Number: Des. 432,360**

[45] **Date of Patent: ** Oct. 24, 2000**

[54] **BOWL**

DESCRIPTION

[75] Inventor: **Michael Wayne Greene**, Incline Village, Nev.

FIG. 1 is a perspective view of a first variant of the design, this variant having a tab on one side;

[73] Assignee: **Euro United Corporation**, Oakville, Canada

FIG. 2 is a front view of the first variant of the design;

FIG. 3 is a right side view of the first variant of the design, the left side being identical in appearance to the right;

[**] Term: **14 Years**

FIG. 4 is a top view of the first variant of the design;

FIG. 5 is a bottom view of the first variant of the design;

[21] Appl. No.: **29/101,542**

FIG. 6 is a perspective view of a second variant of the design, this variant having no tab;

[22] Filed: **Mar. 5, 1999**

FIG. 7 is a front view of the second variant of the design, the back view being identical in appearance to the front view;

[30] Foreign Application Priority Data

Jan. 22, 1999 [CA] Canada 1999-0203

FIG. 8 is a left side view of the second variant of the design, the right side being identical in appearance to the left;

[51] **LOC (7) Cl.** **07-01**

FIG. 9 is a top view of the second variant of the design;

[52] **U.S. Cl.** **D7/543**

FIG. 10 is a bottom view of the second variant of the design;

[58] **Field of Search** D7/500, 550.1, D7/546, 586, 587, 588, 554.3, 540, 558, 534.4, 554.2, 397, 392.1, 555, 566, 601, 602, 641; D9/414, 428, 431; 206/508, 511, 562, 538, 561, 564; 220/574, 575, 556, 23.6, 23.8, 23.83, 212, 605, 628, 675

FIG. 11 is a perspective view of a third variant of the design, this variant having a tab on one side;

FIG. 12 is a front view of the third variant of the design;

FIG. 13 is a right side view of the third variant of the design, the left side being identical in appearance to the right;

[56] References Cited

U.S. PATENT DOCUMENTS

D. 286,844 11/1986 Daenen et al. D7/543
D. 288,649 3/1987 Daenen et al. D7/543
D. 420,857 2/2000 Loew et al. D7/543

FIG. 14 is a top view of the third variant of the design;

FIG. 15 is a bottom view of the third variant of the design;

FIG. 16 is a perspective view of a fourth variant of the design, this variant having no tab;

FIG. 17 is a front view of the fourth variant of the design, the back view being identical in appearance to the front view;

FIG. 18 is a right side view of the fourth variant of the design, the left side being identical in appearance to the right side;

Primary Examiner—Antoine Duval Davis
Attorney, Agent, or Firm—Barrigar & Moss

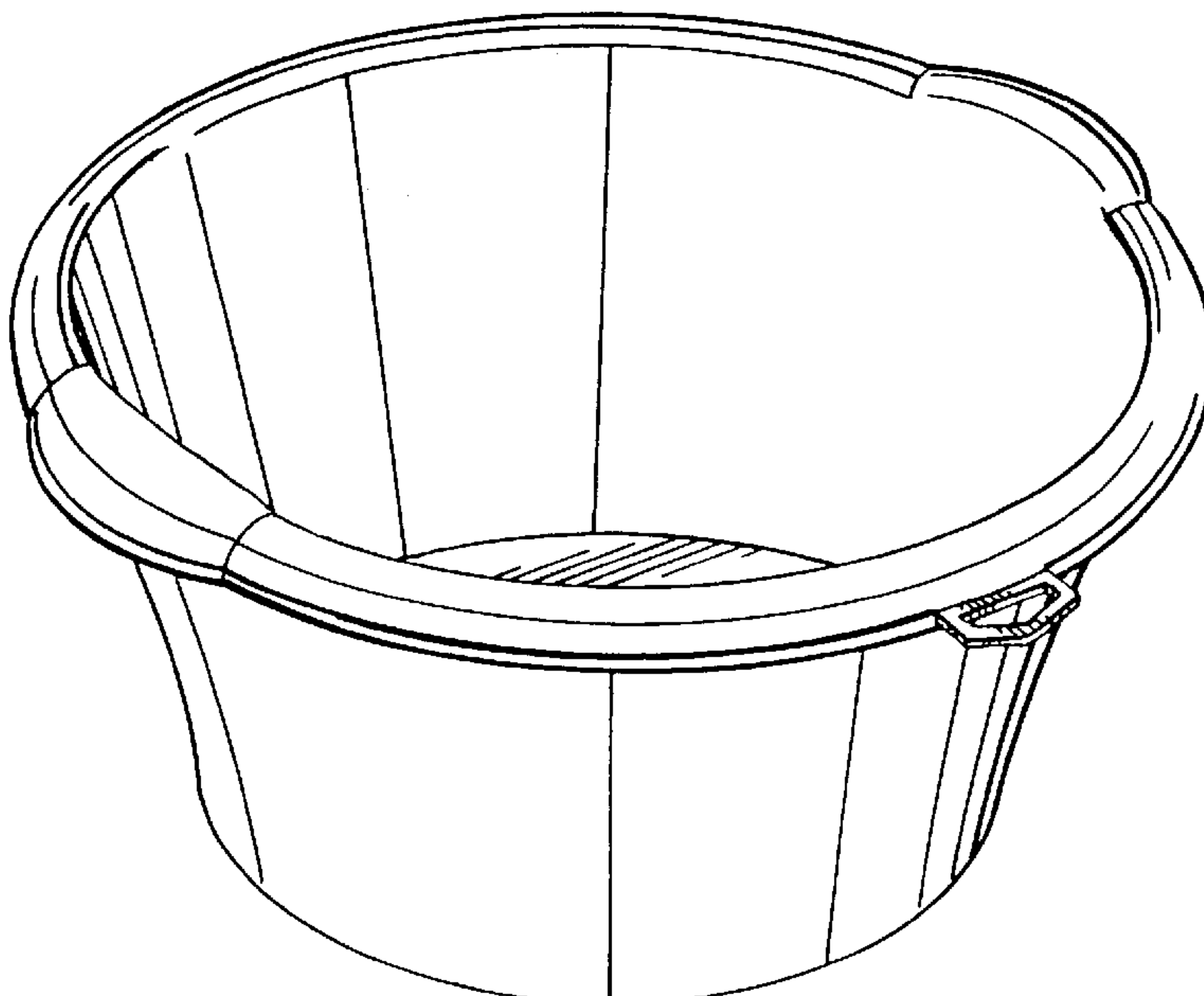
FIG. 19 is a top view of the fourth variant of the design; and,

FIG. 20 is a bottom view of the fourth variant of the design.

[57] CLAIM

The ornamental design for a bowl, as shown and described.

1 Claim, 12 Drawing Sheets



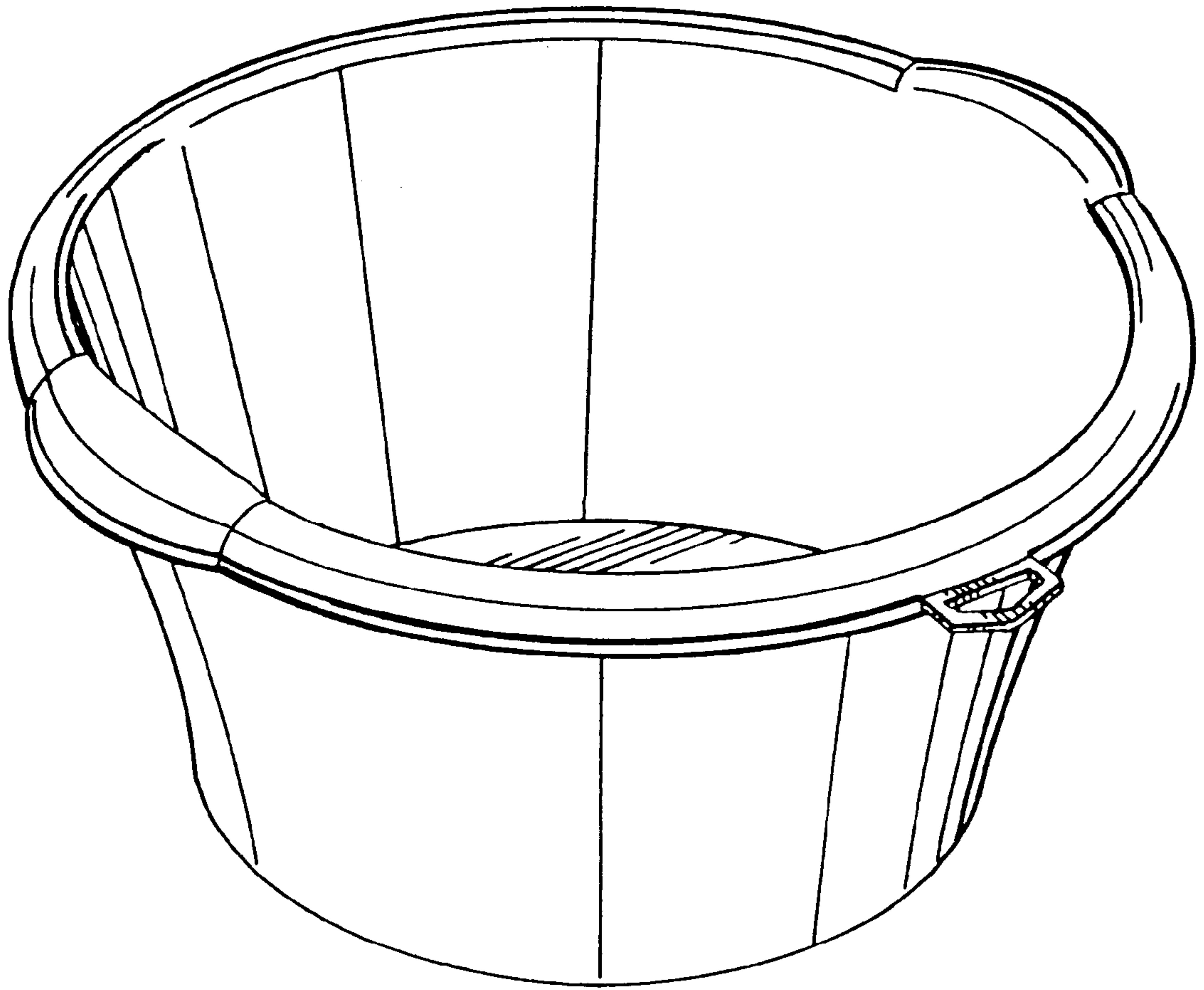


FIG. 1

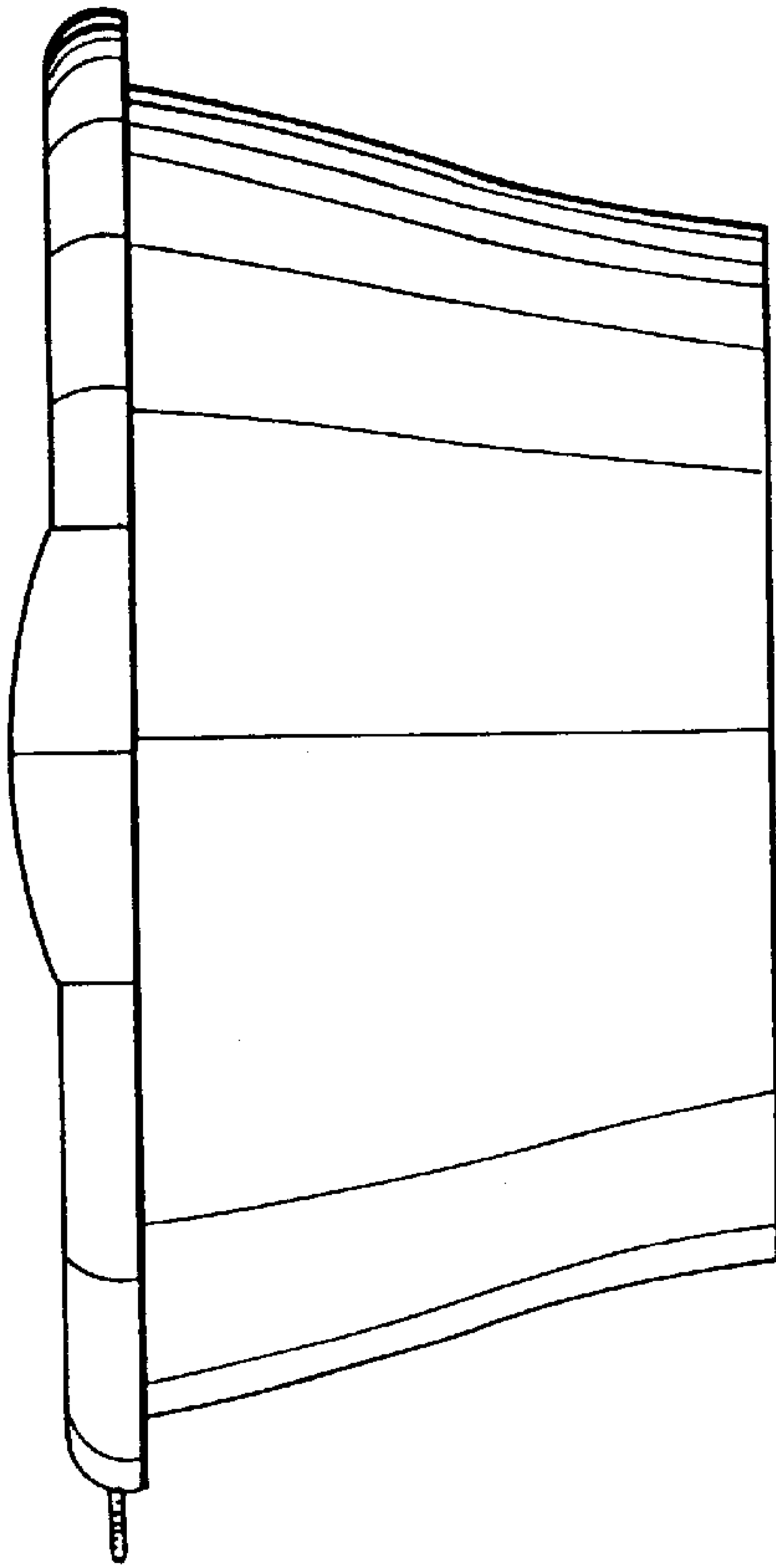


FIG. 3

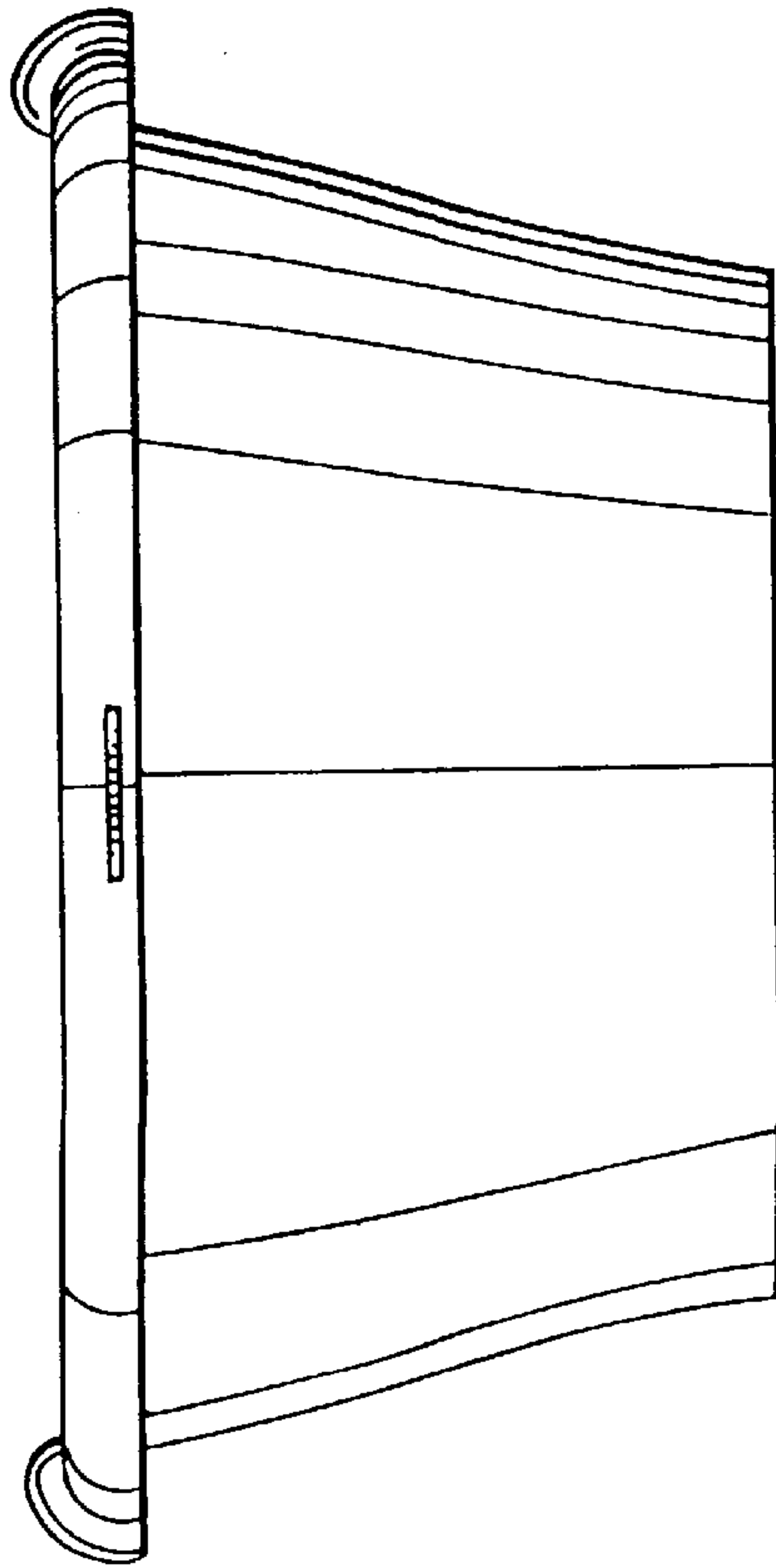


FIG. 2

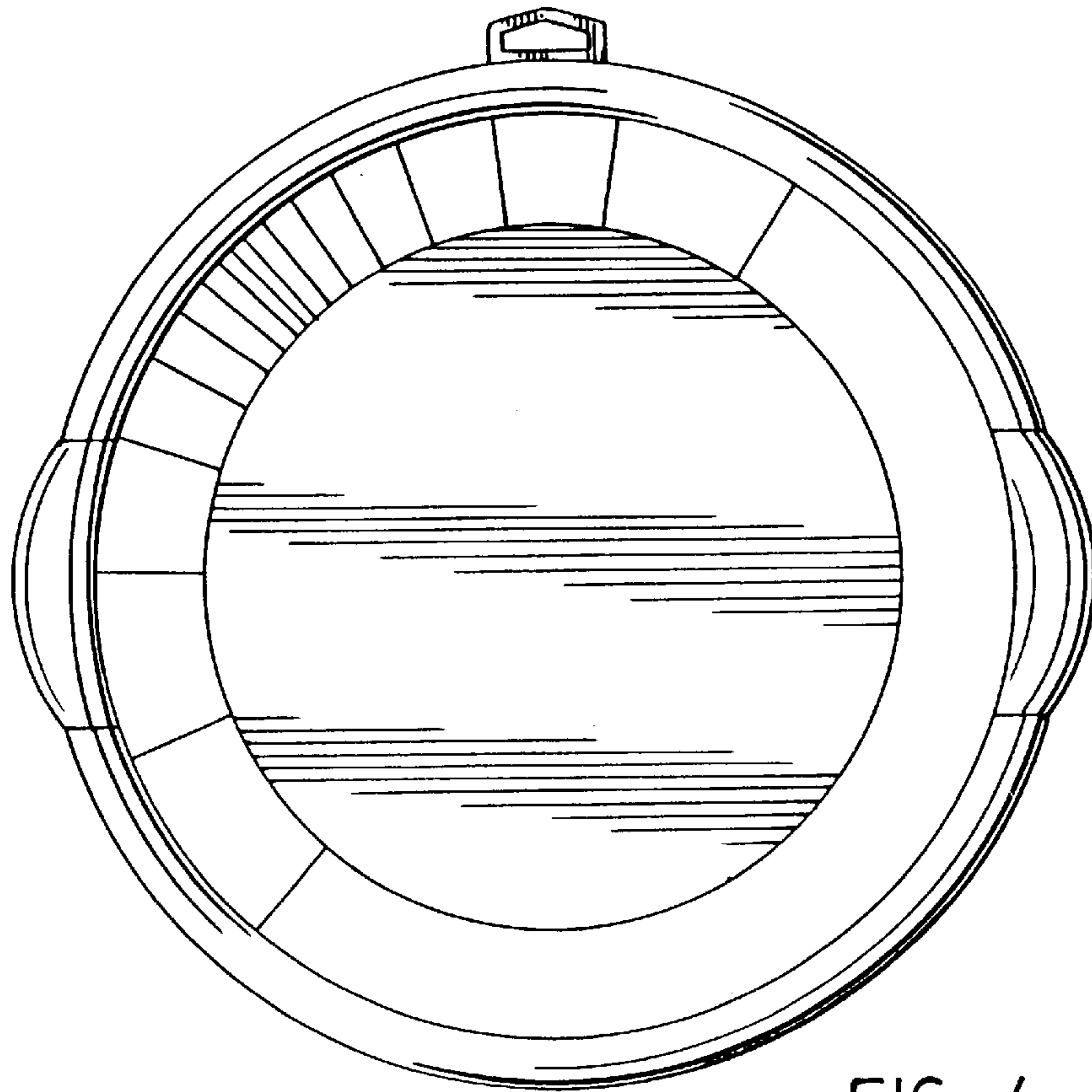


FIG. 4

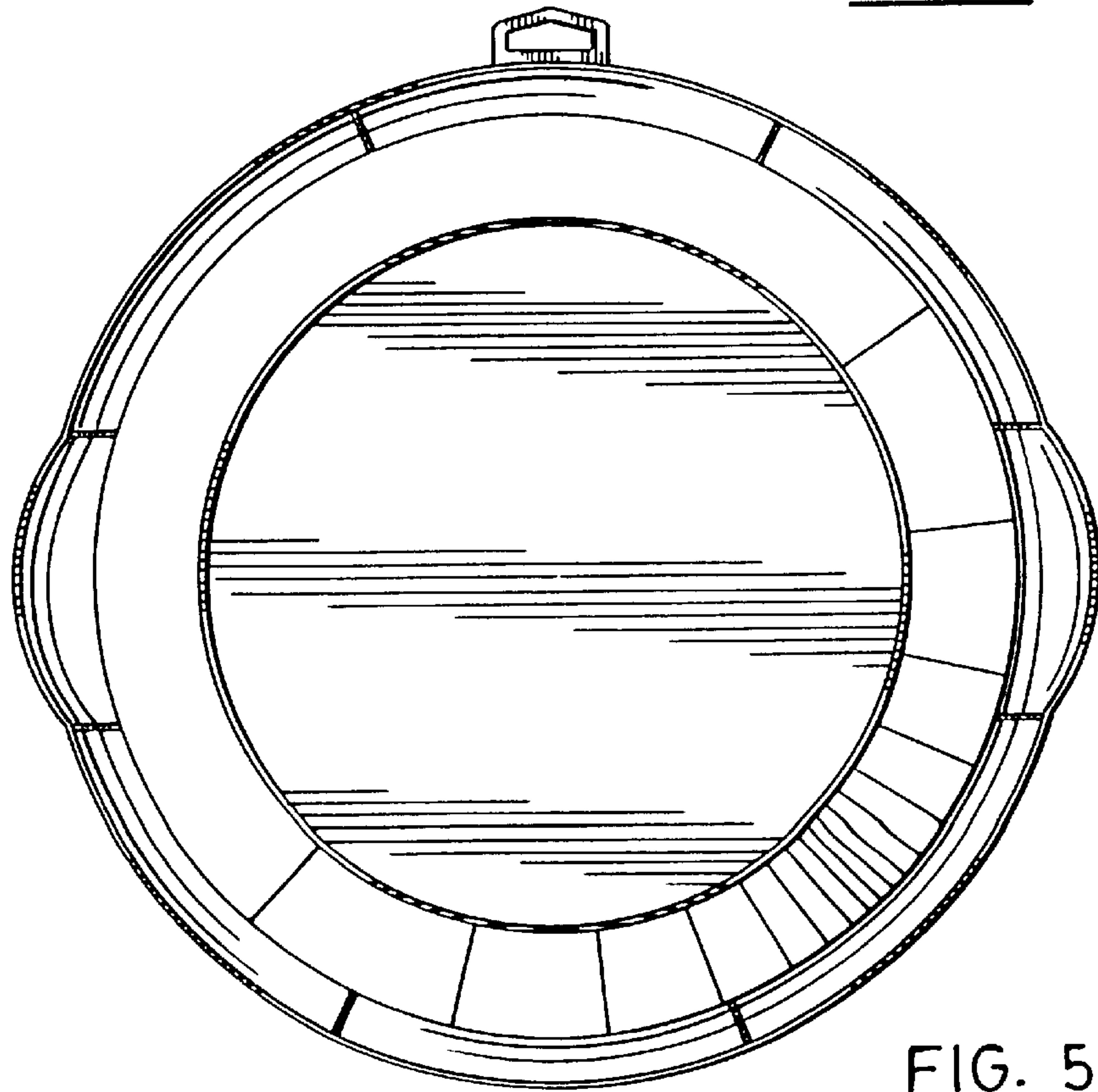


FIG. 5

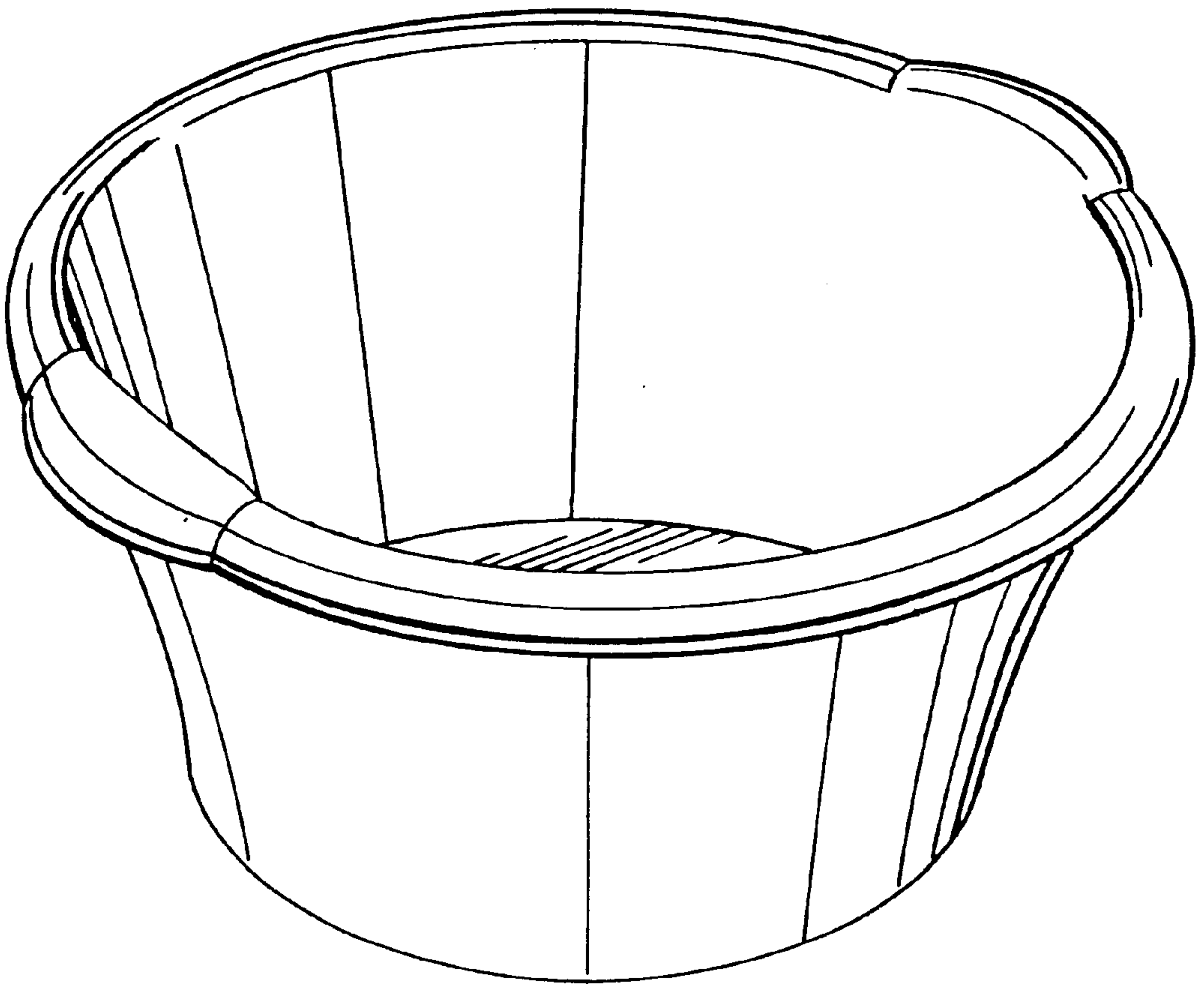


FIG. 6

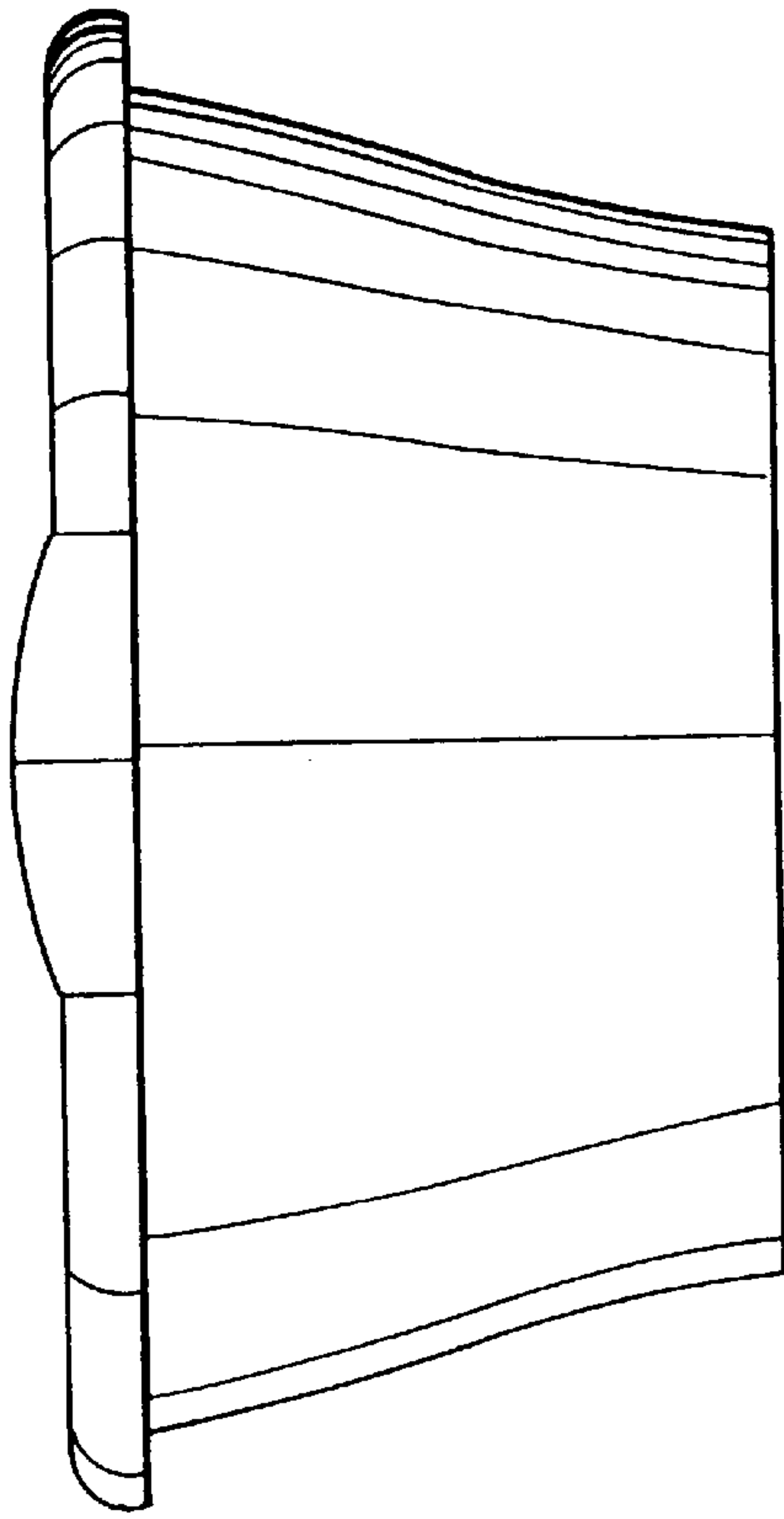


FIG. 8

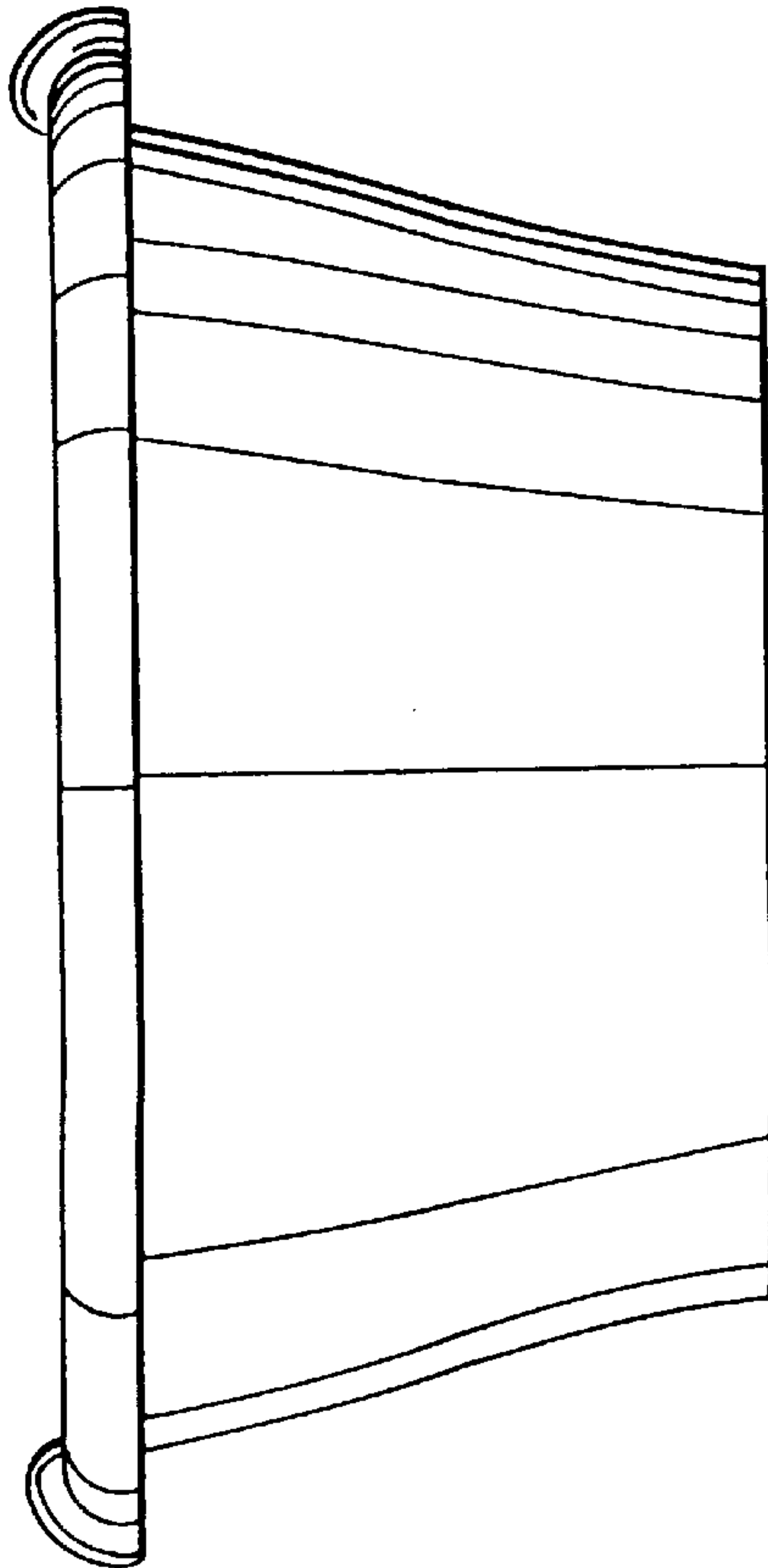


FIG. 7

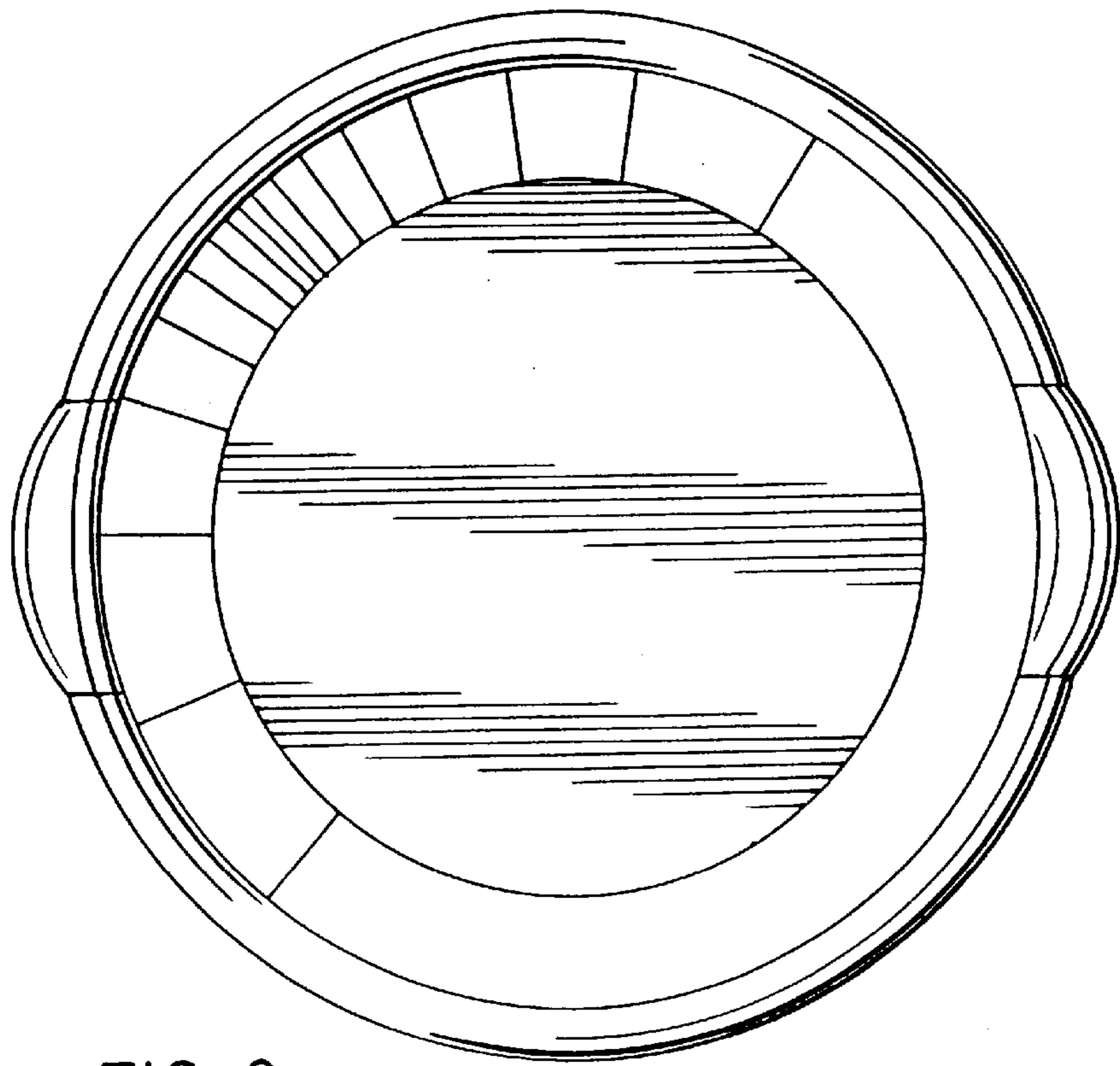


FIG. 9

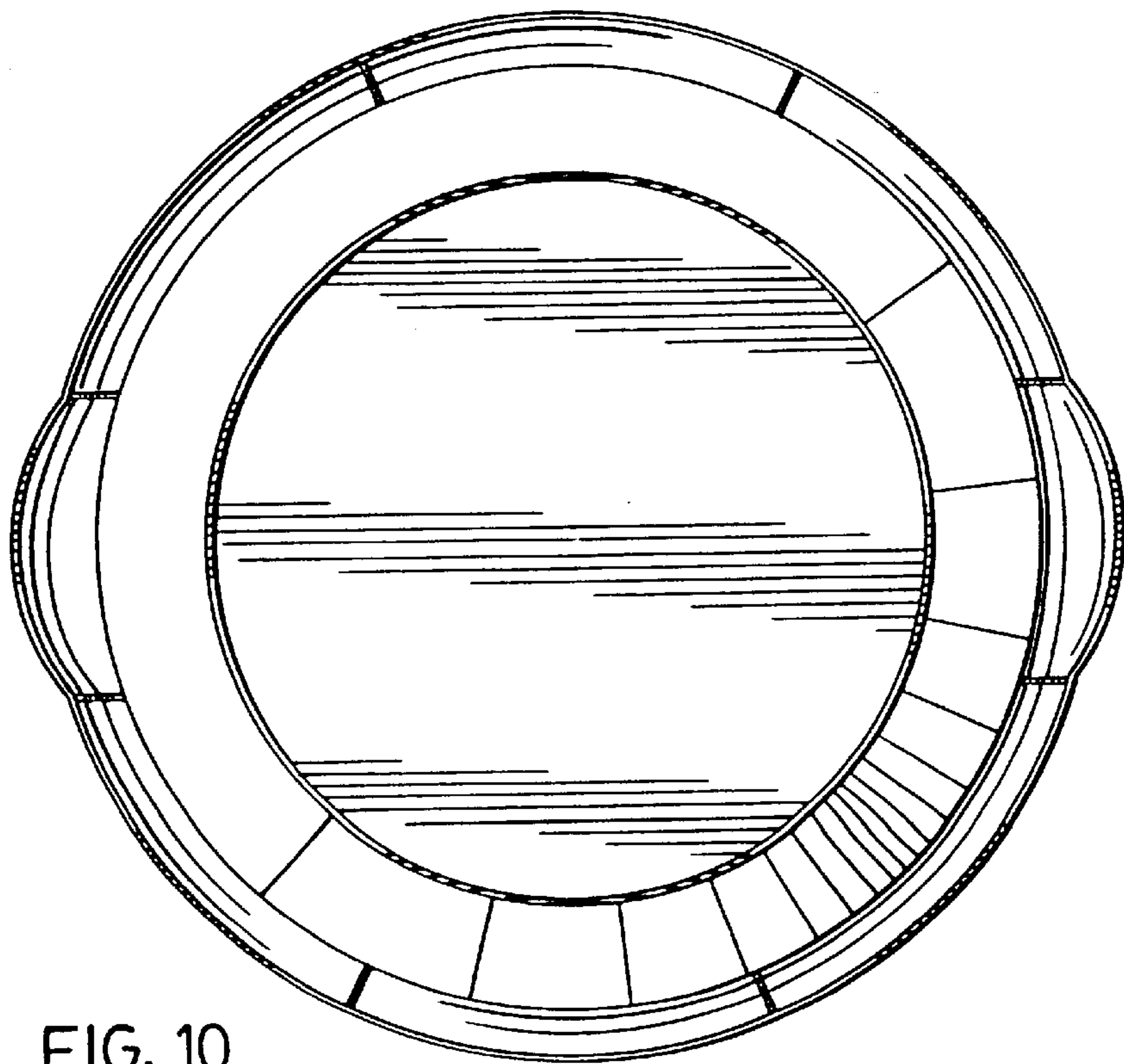


FIG. 10

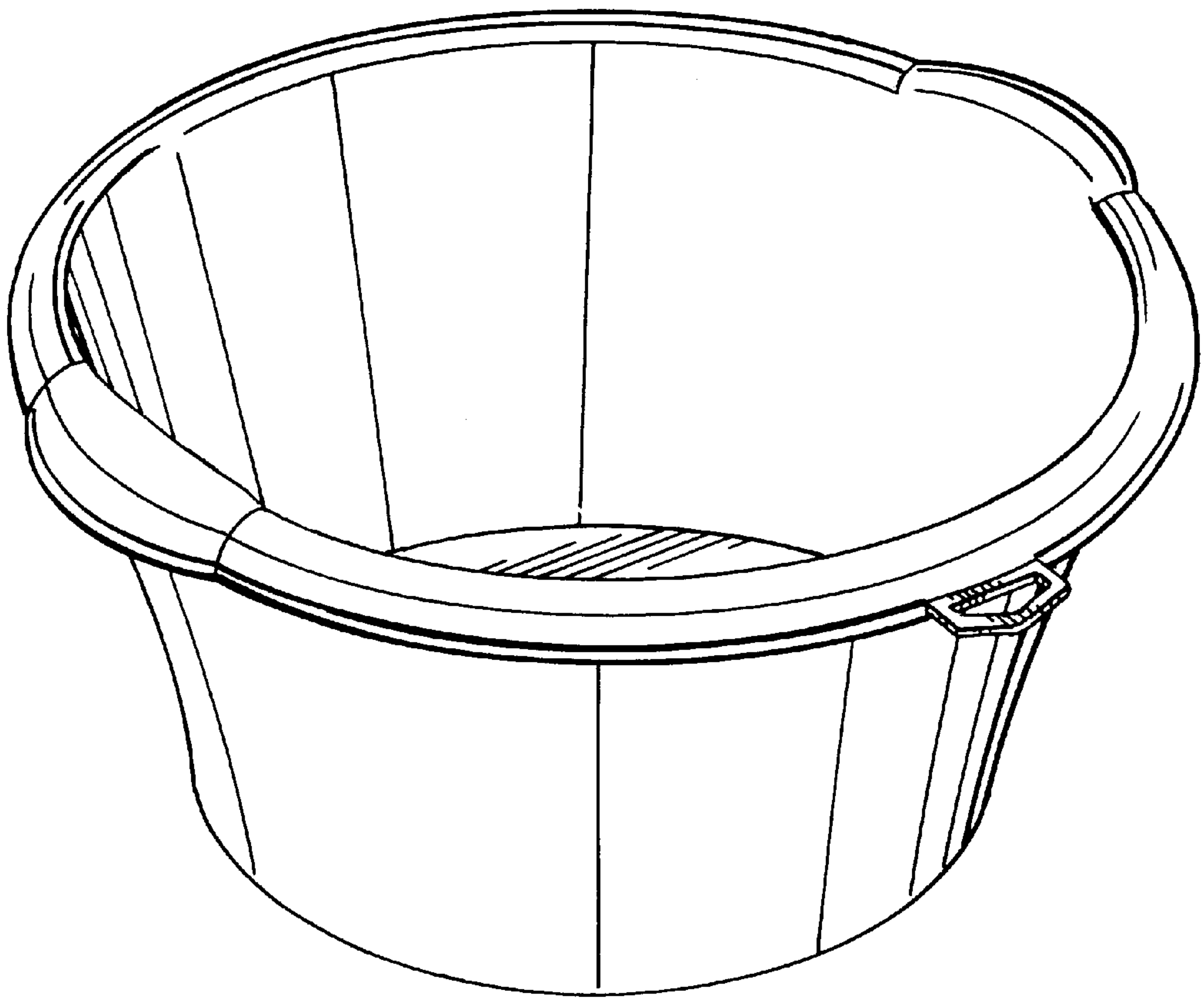


FIG. 11

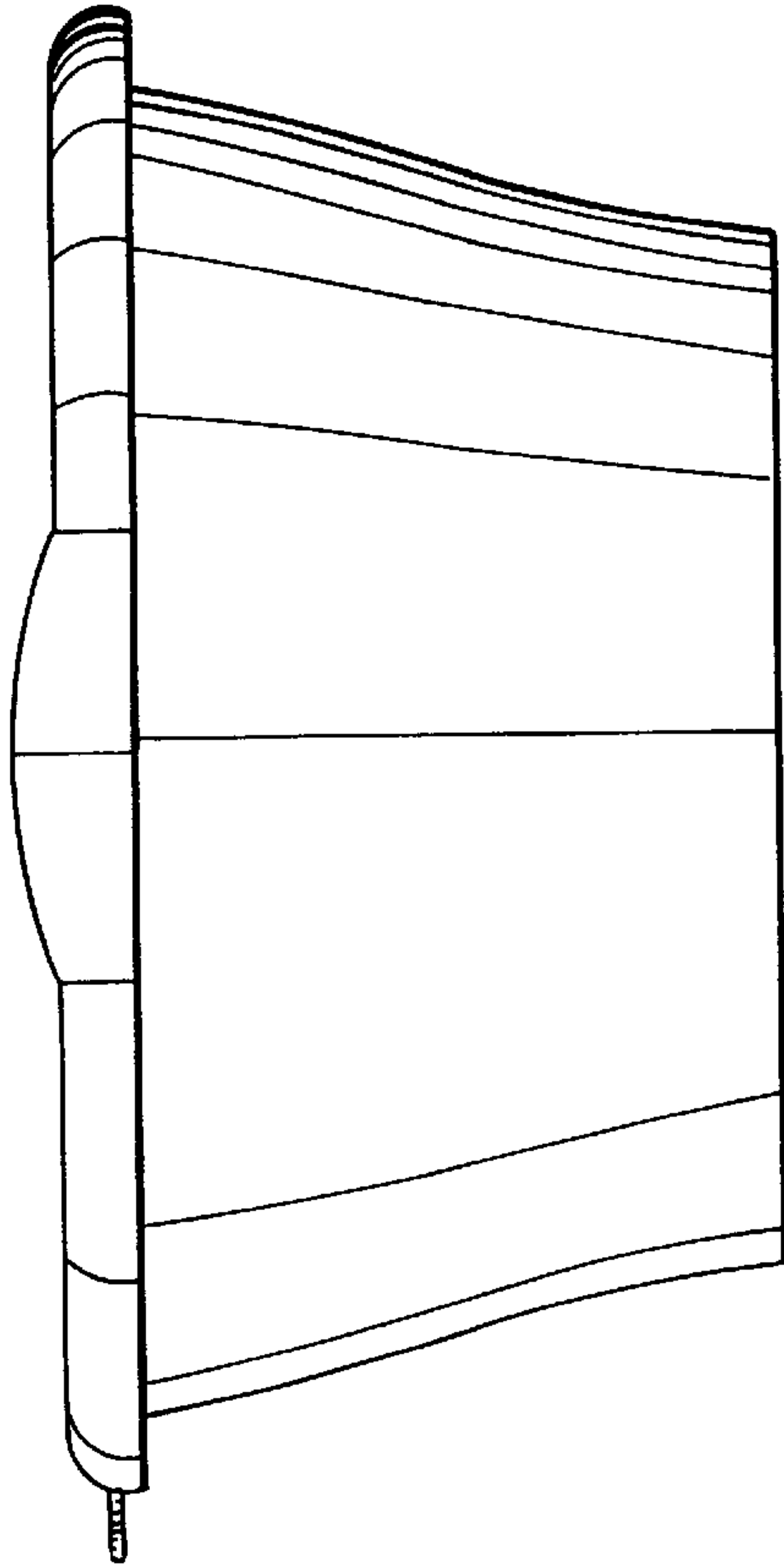


FIG. 13

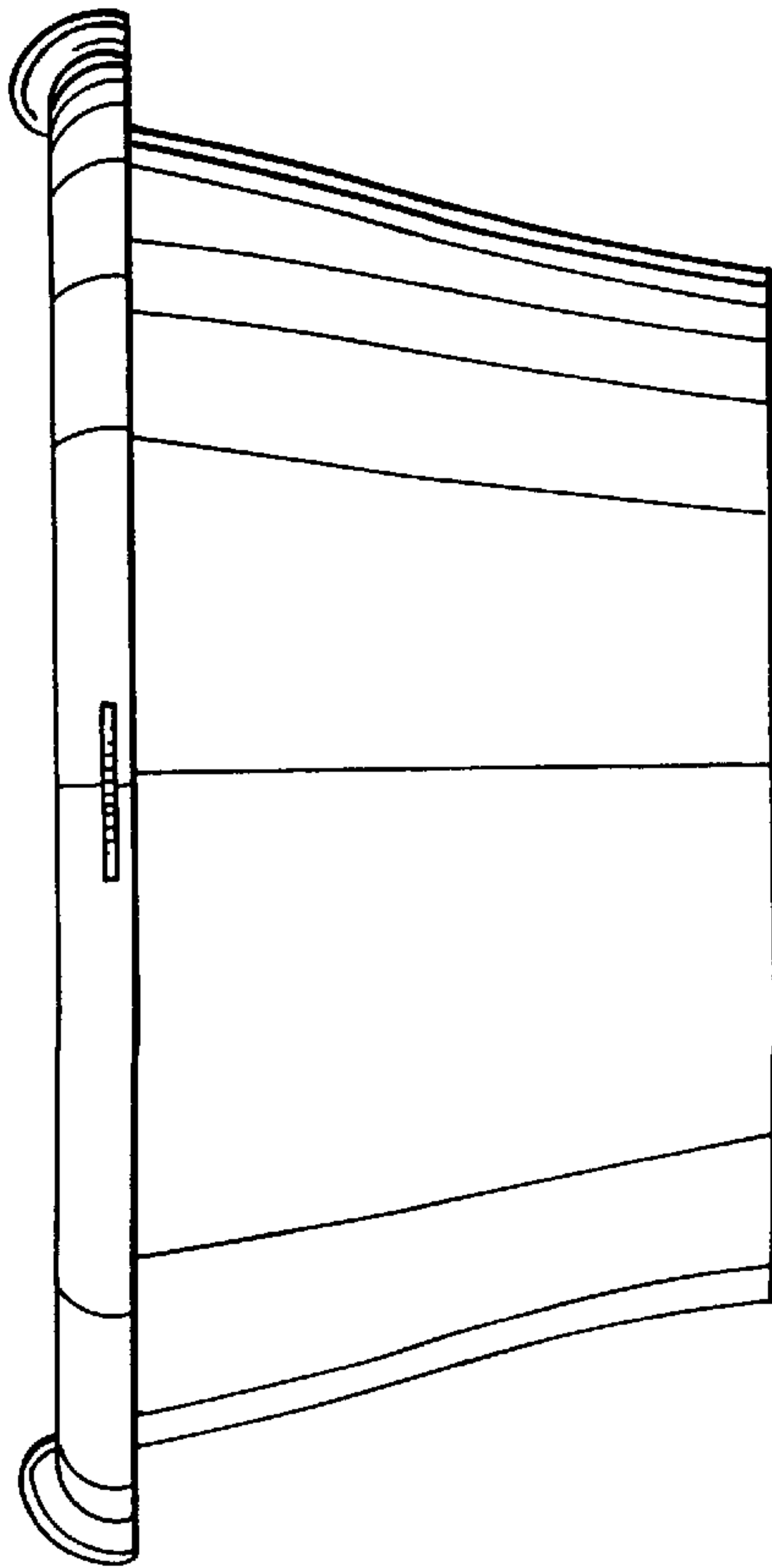
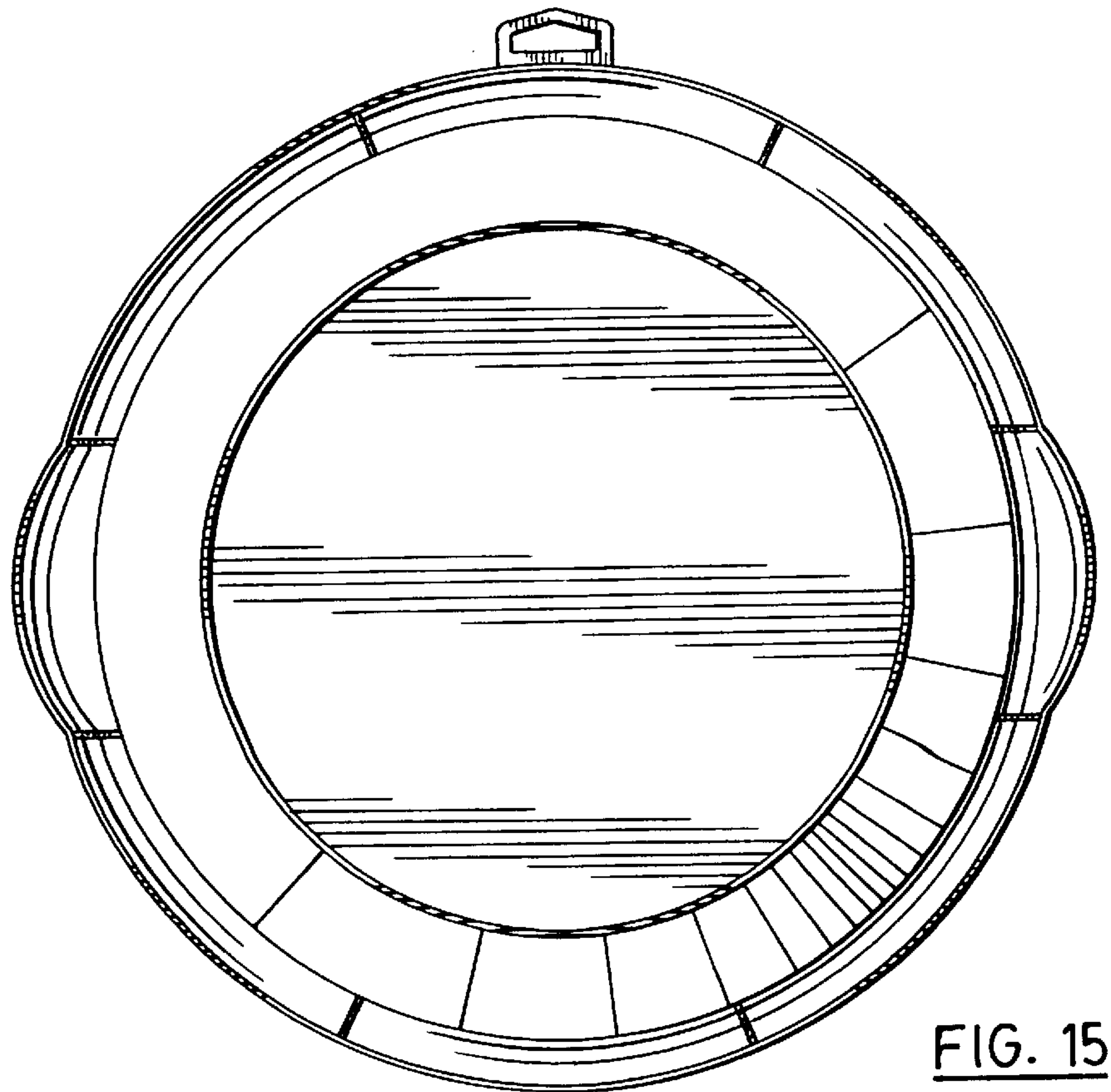
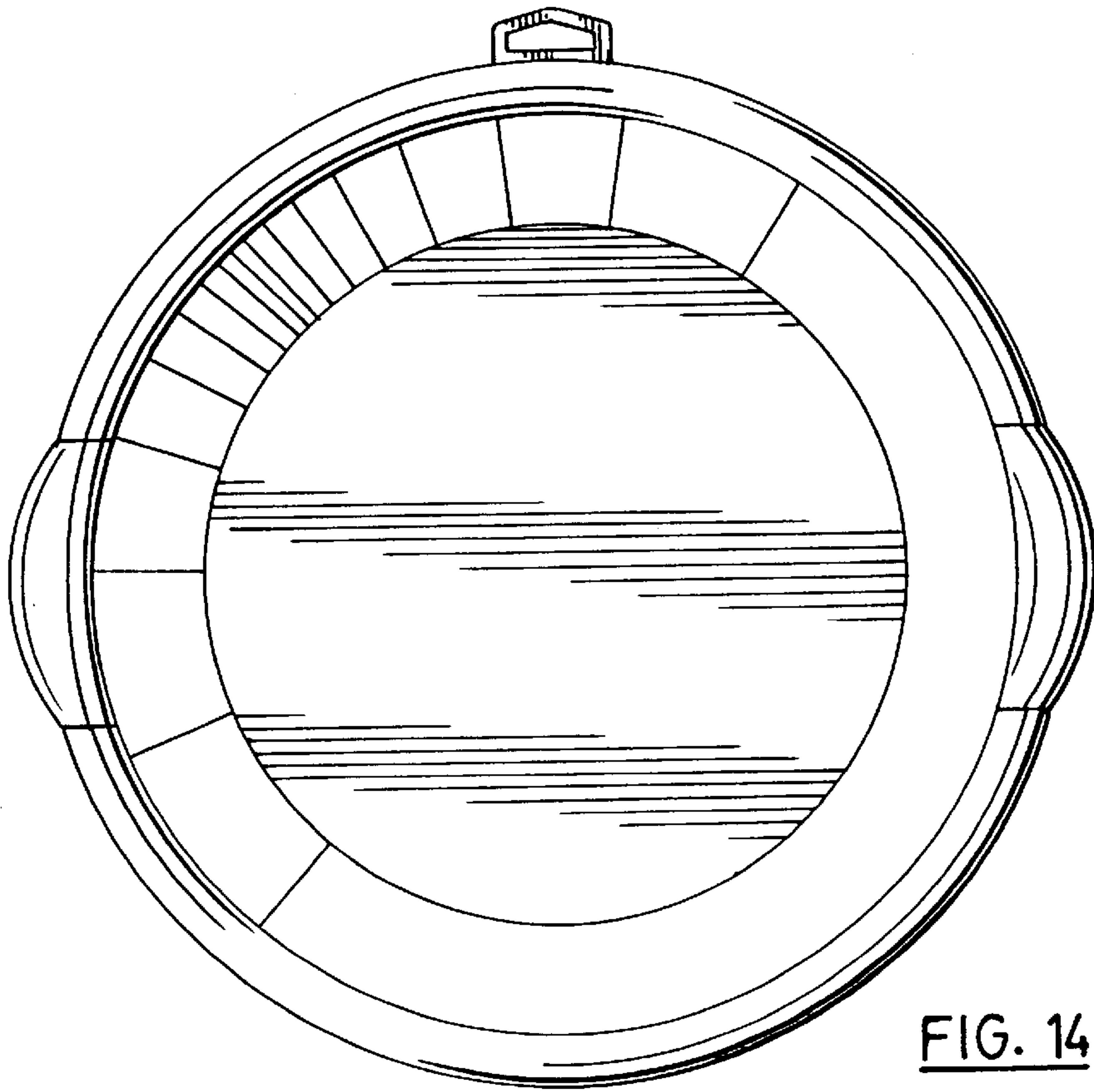


FIG. 12



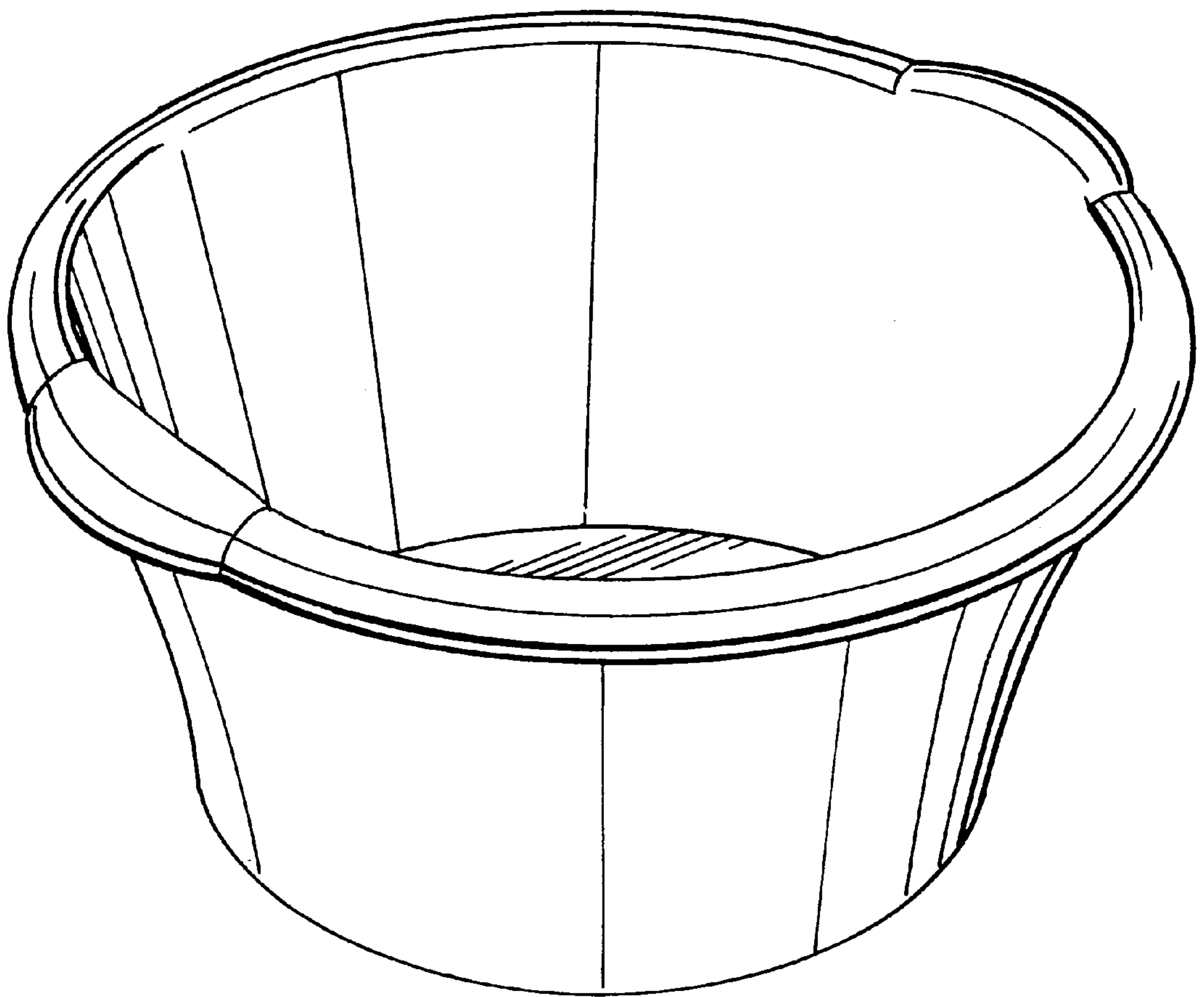


FIG. 16

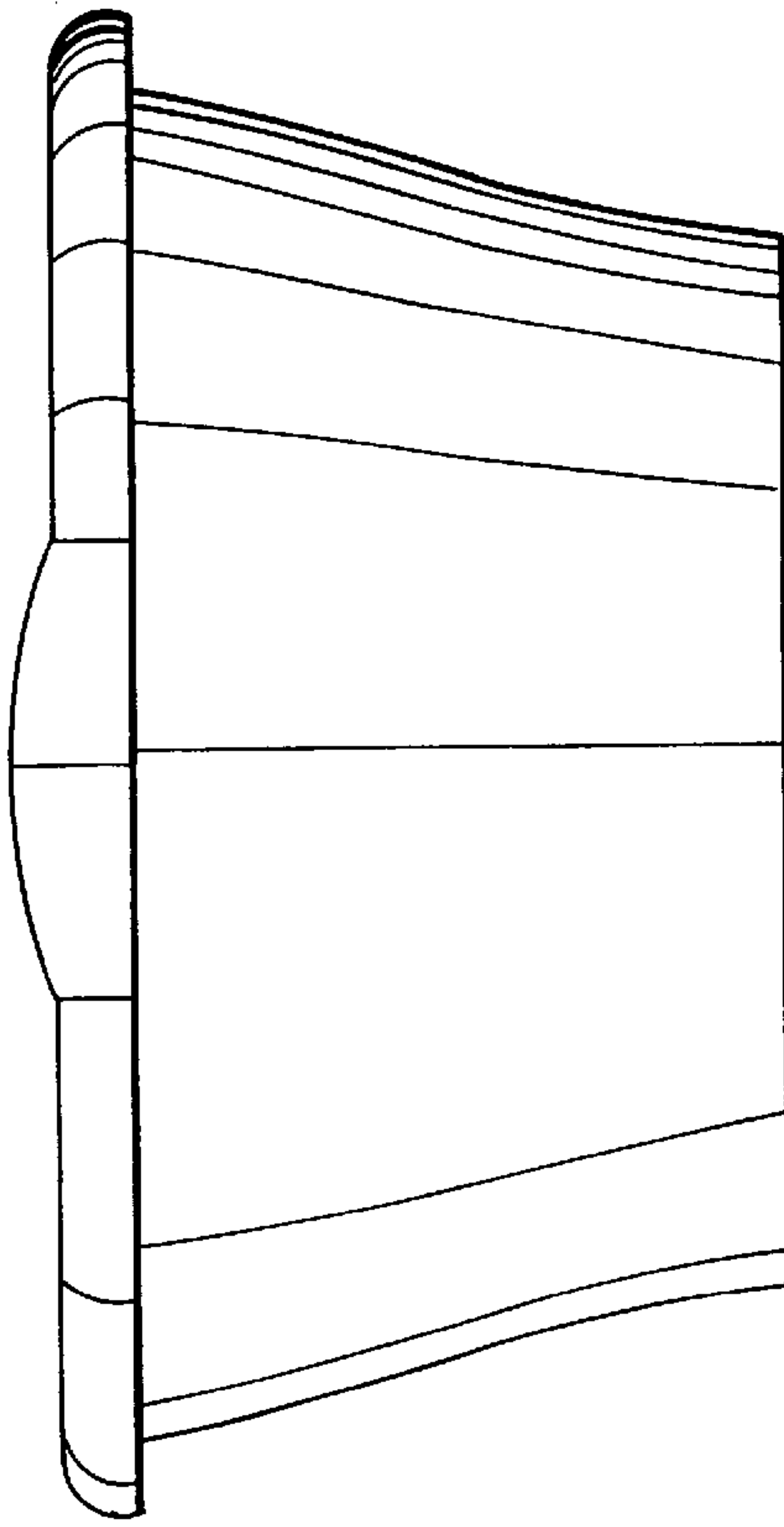


FIG. 18

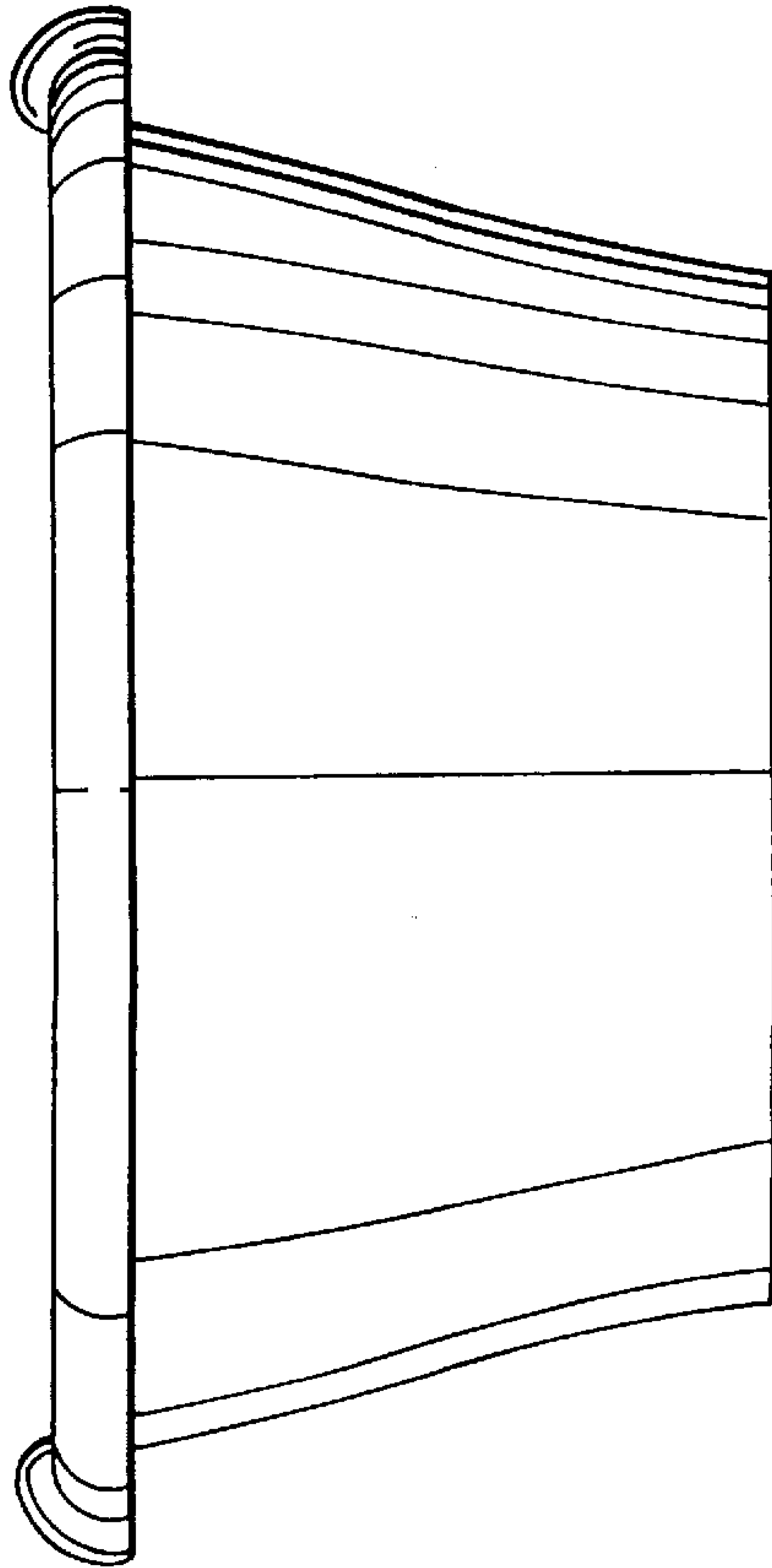


FIG. 17

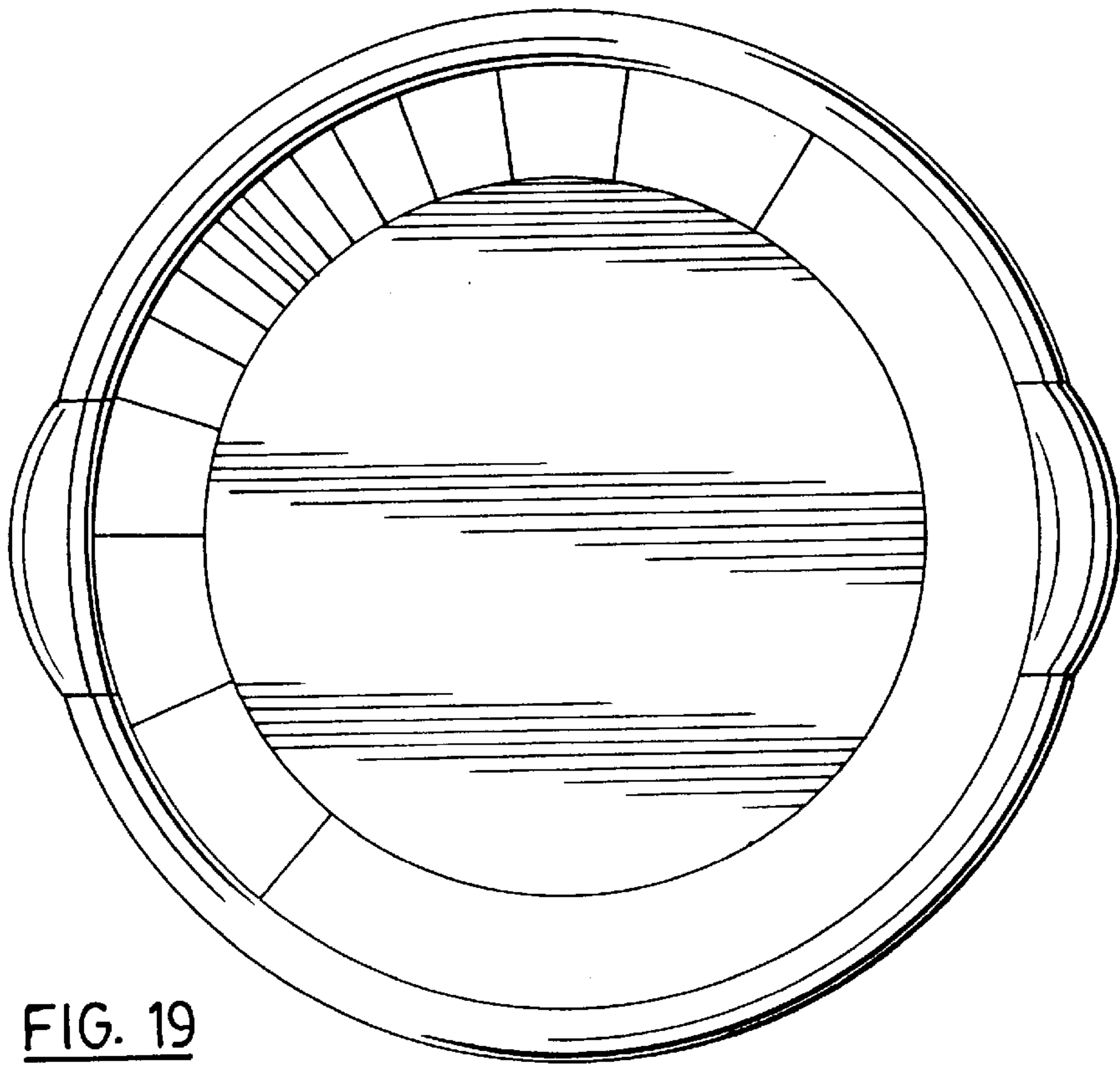


FIG. 19

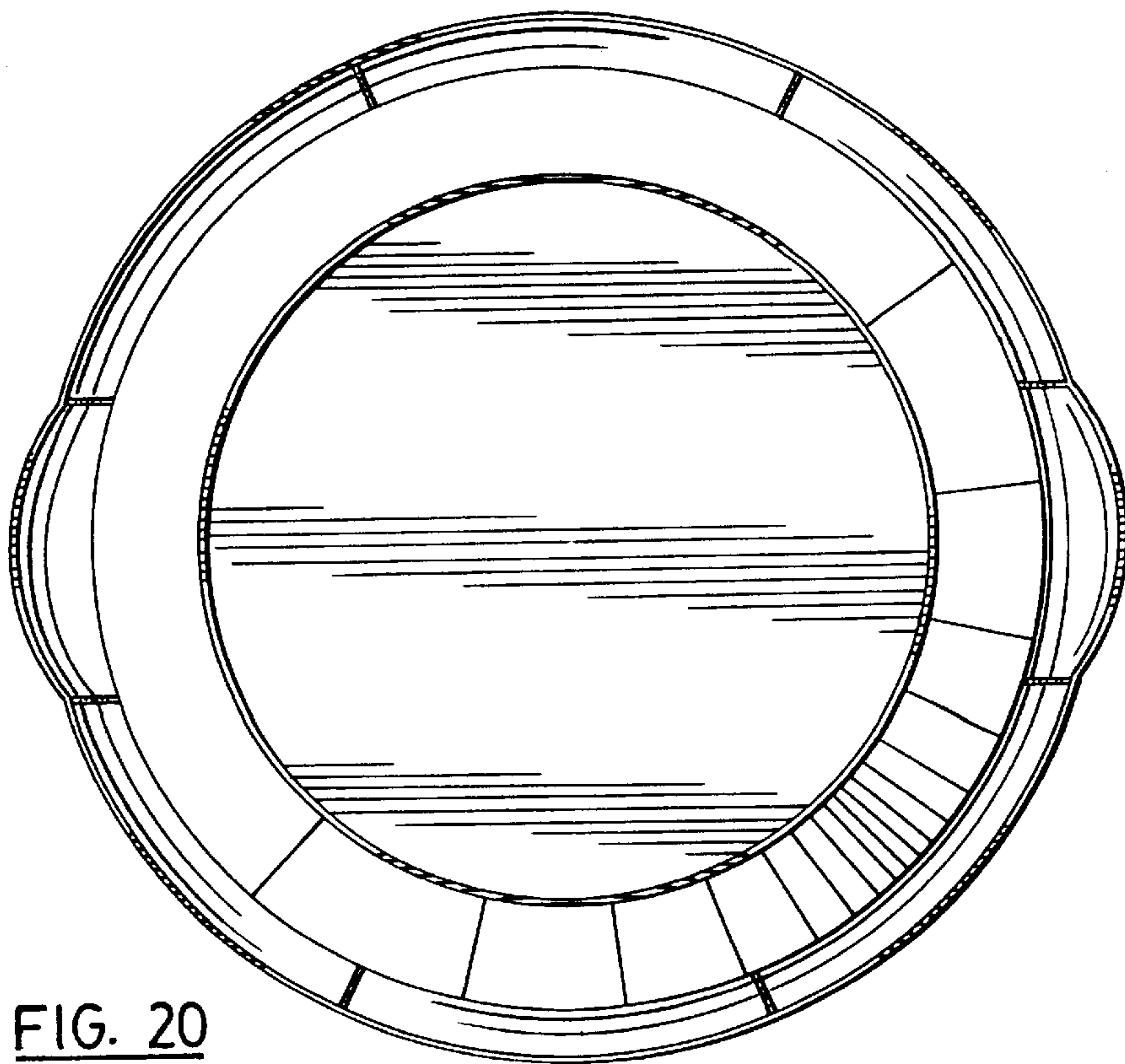


FIG. 20