



US00D432358S

United States Patent [19] Natale

[11] Patent Number: Des. 432,358

[45] Date of Patent: ** Oct. 24, 2000

[54] MEAL EQUIPMENT HOLDING DEVICE

[76] Inventor: Dominick Natale, 1012 Colby Ave.,
Raritan, N.J. 08869

[**] Term: 14 Years

[21] Appl. No.: 29/122,225

[22] Filed: Apr. 21, 2000

[51] LOC (7) Cl. 07-01

[52] U.S. Cl. D7/506; D7/505; D7/551.1;
D7/556

[58] Field of Search D7/505, 506, 556,
D7/564, 507, 551.1, 396.1; D9/308; 496/76;
206/214, 224, 457; D21/433; D3/203

[56] References Cited

U.S. PATENT DOCUMENTS

D. 43,583	2/1913	Vail	D9/308
D. 46,293	8/1914	Rowland	D9/308
D. 46,705	11/1914	Stough	D9/308
D. 137,299	2/1944	Stough	D9/308
D. 162,102	2/1951	Wendell	D7/556
D. 201,841	8/1965	Douglas	D9/308
D. 205,864	9/1966	Douglas	D9/308
D. 206,629	1/1967	Douglas	D9/308
D. 210,189	2/1968	Weckman	D9/308
D. 256,556	8/1980	Fish	D9/308
D. 264,106	4/1982	Orenstein	D21/132

D. 272,169	1/1984	Nottingham	D21/121
D. 307,525	5/1990	Smith	D6/451
D. 349,212	8/1994	Lynch	D7/505
D. 353,413	12/1994	Hamlin	D21/433
D. 364,893	12/1995	Willard et al.	D19/82
D. 371,959	7/1996	Hupp	D9/308
D. 388,952	1/1998	Rosell, Jr.	D3/203
D. 393,021	3/1998	Box	1/1
D. 394,804	6/1998	Sun	D9/308
5,441,149	8/1995	Willard et al.	206/214

Primary Examiner—M. N. Pandozzi
Attorney, Agent, or Firm—Goldstein & Canino

[57] CLAIM

The ornamental design for a meal equipment holding device, as shown and described.

DESCRIPTION

FIG. 1 is a perspective view of a meal equipment holding device.

FIG. 2 is a left side elevational view thereof.

FIG. 3 is a right side elevational view thereof.

FIG. 4 is a front elevational view thereof.

FIG. 5 is a rear elevational view thereof.

FIG. 6 is a top plan view of the meal equipment holding device; and,

FIG. 7 is a bottom plan view thereof.

1 Claim, 4 Drawing Sheets

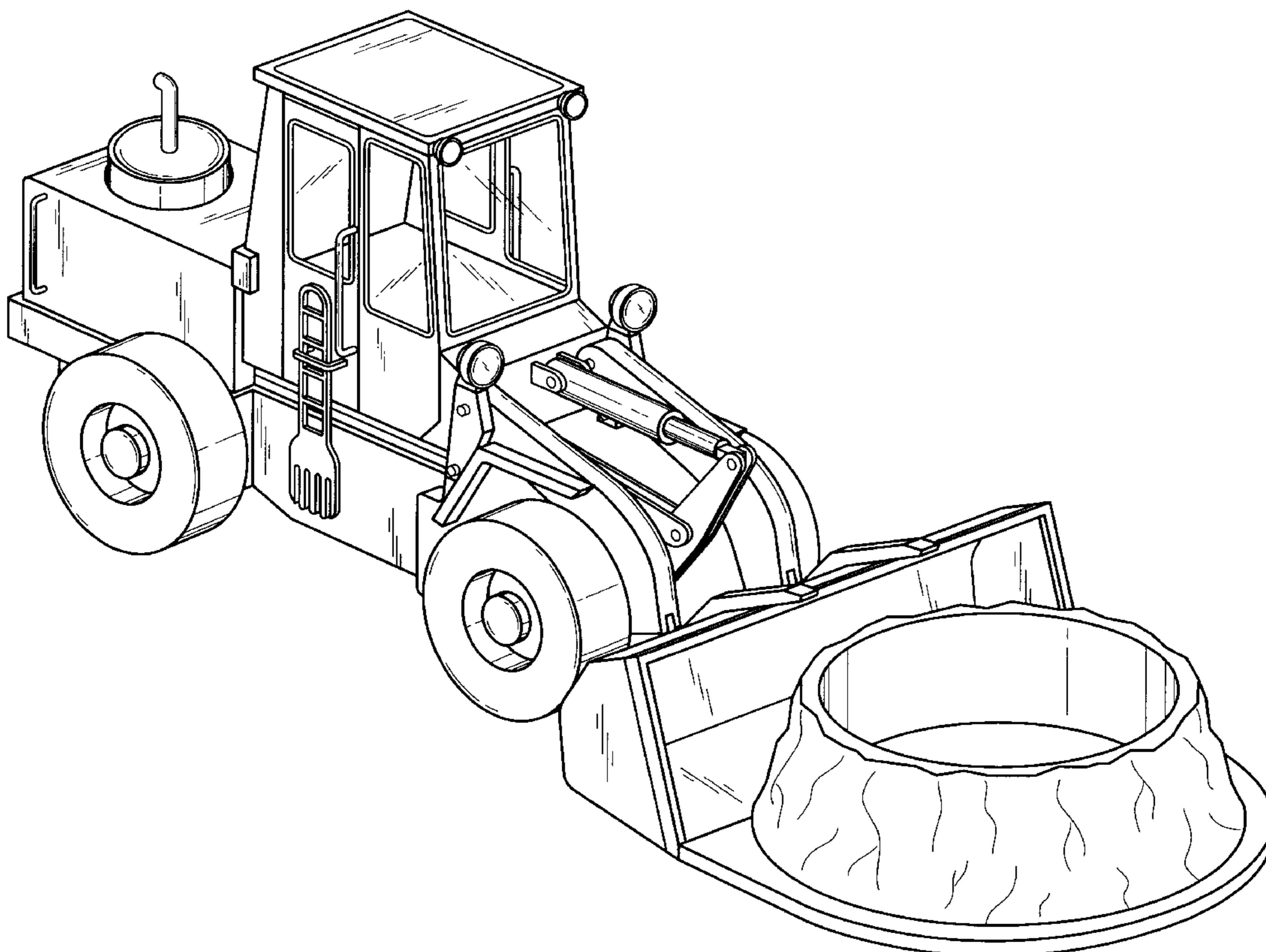


Fig. 1

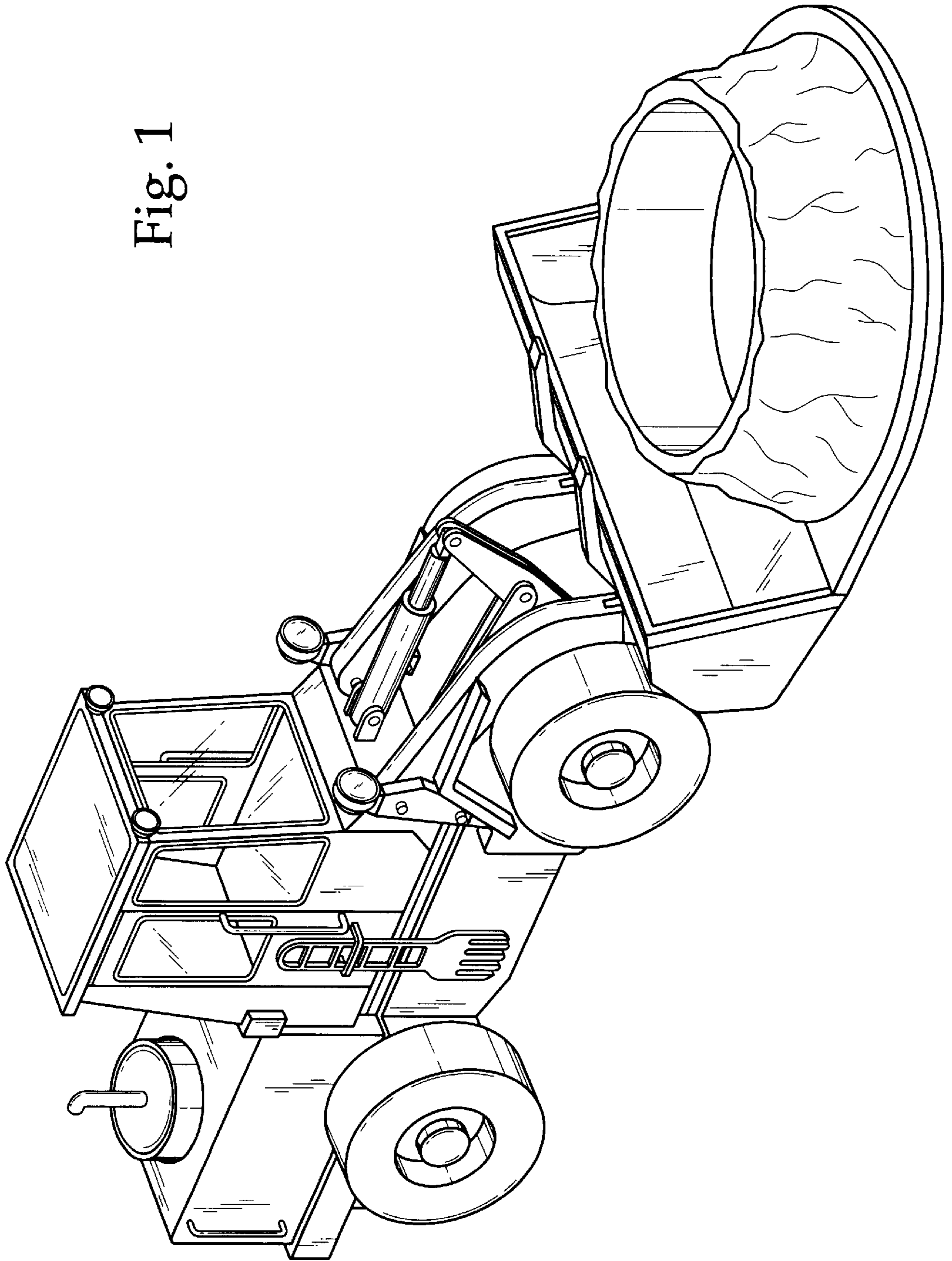


Fig. 2

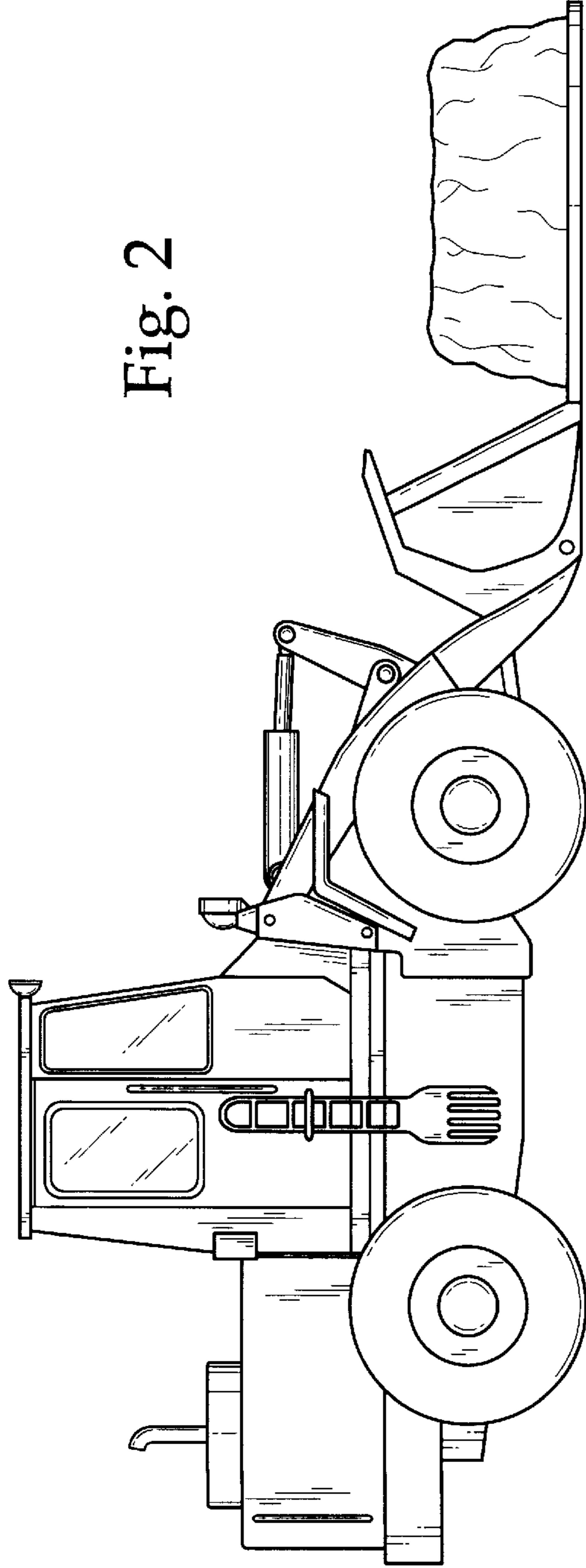
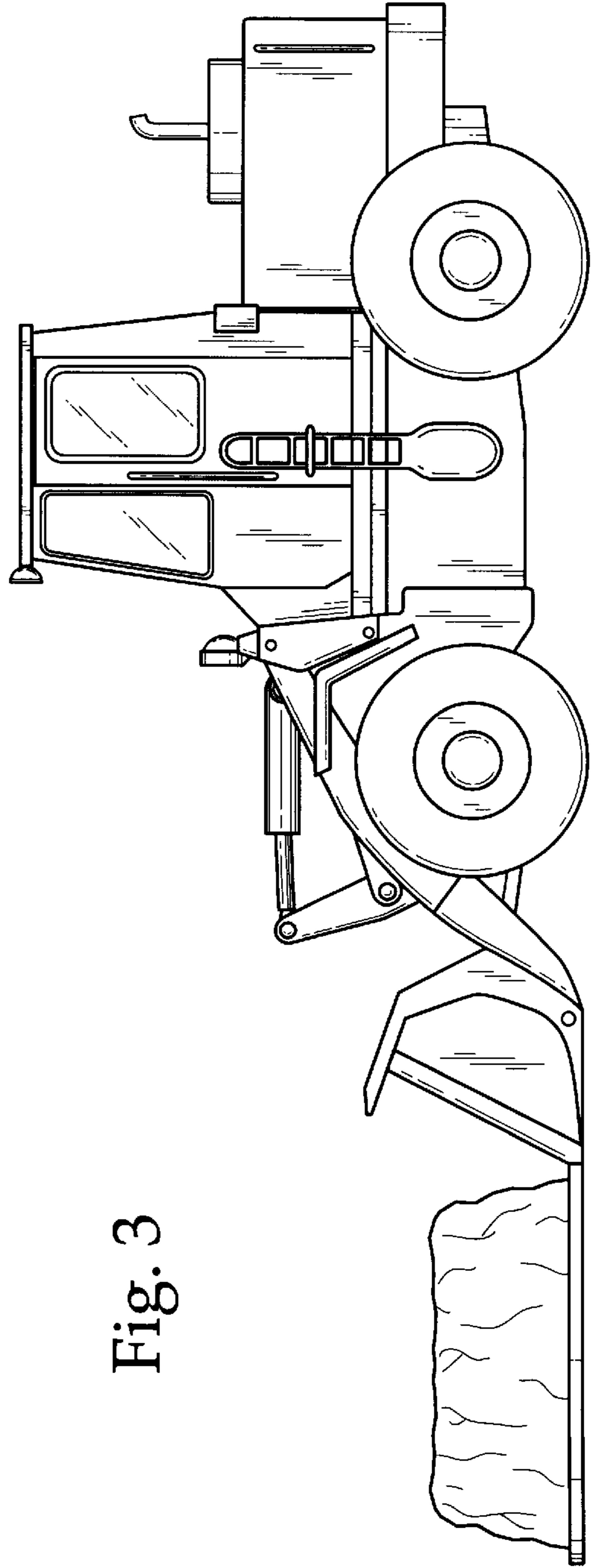


Fig. 3



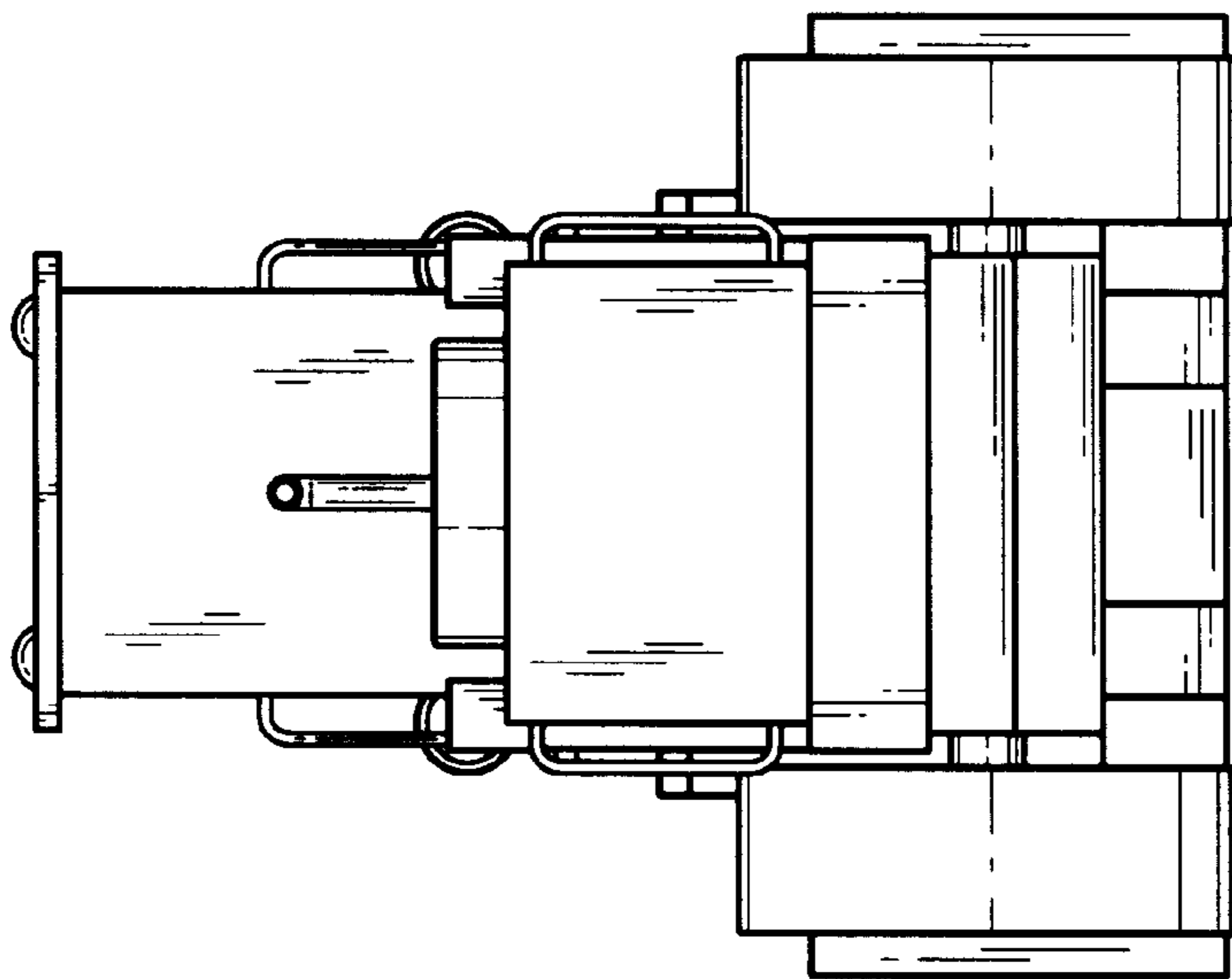


Fig. 5

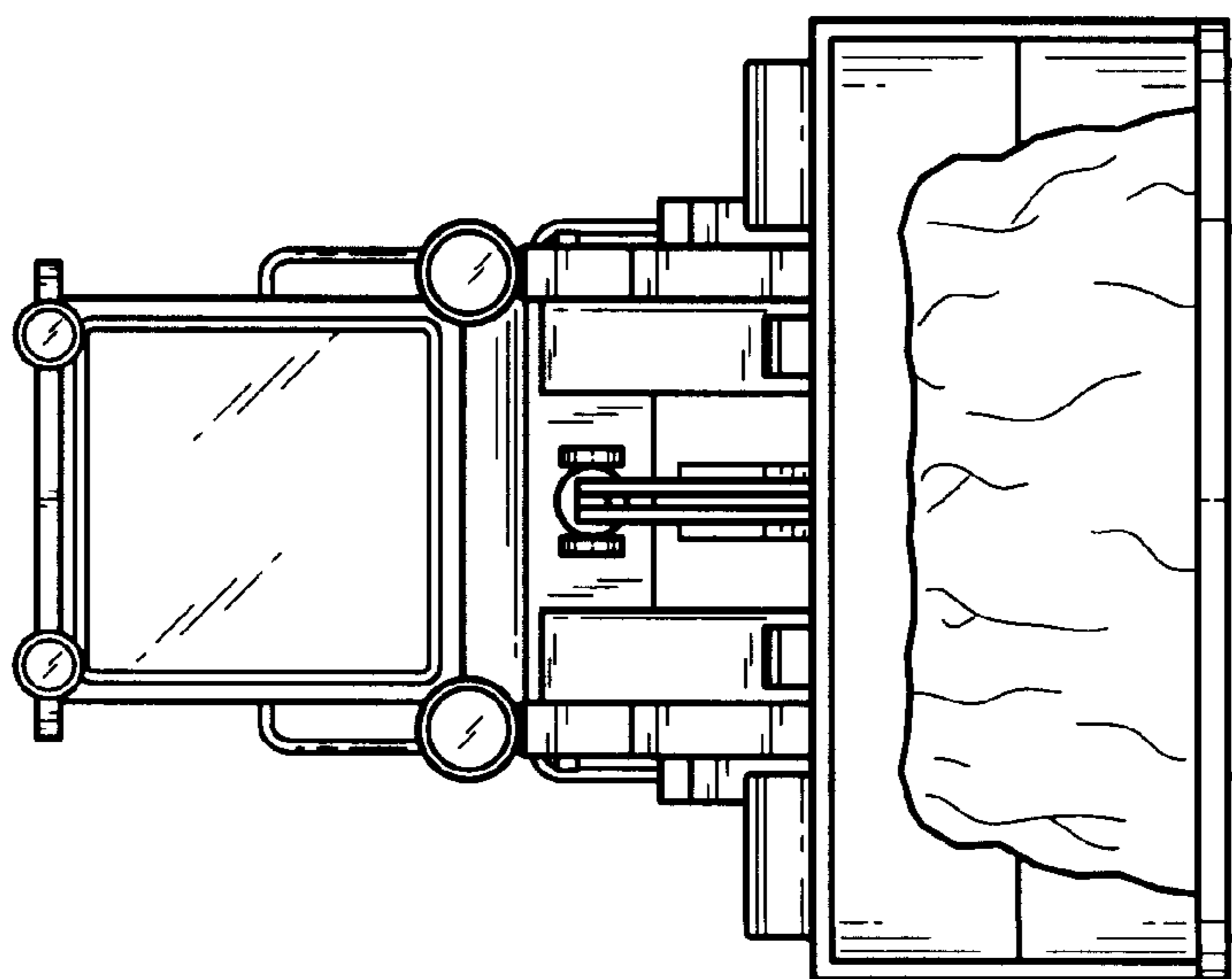


Fig. 4

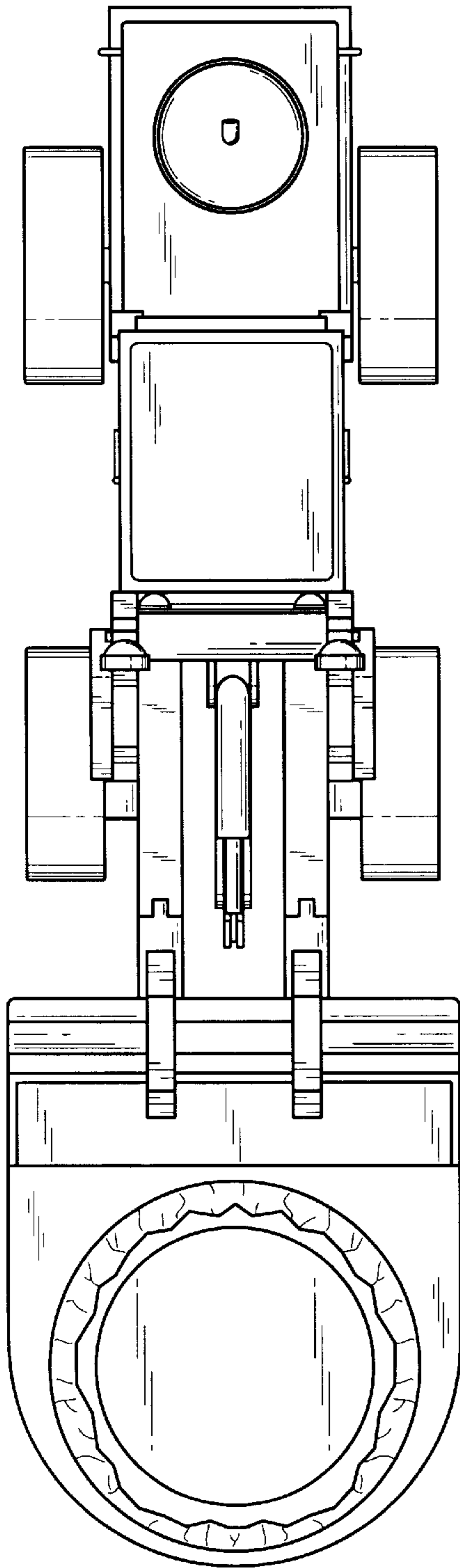


Fig. 6

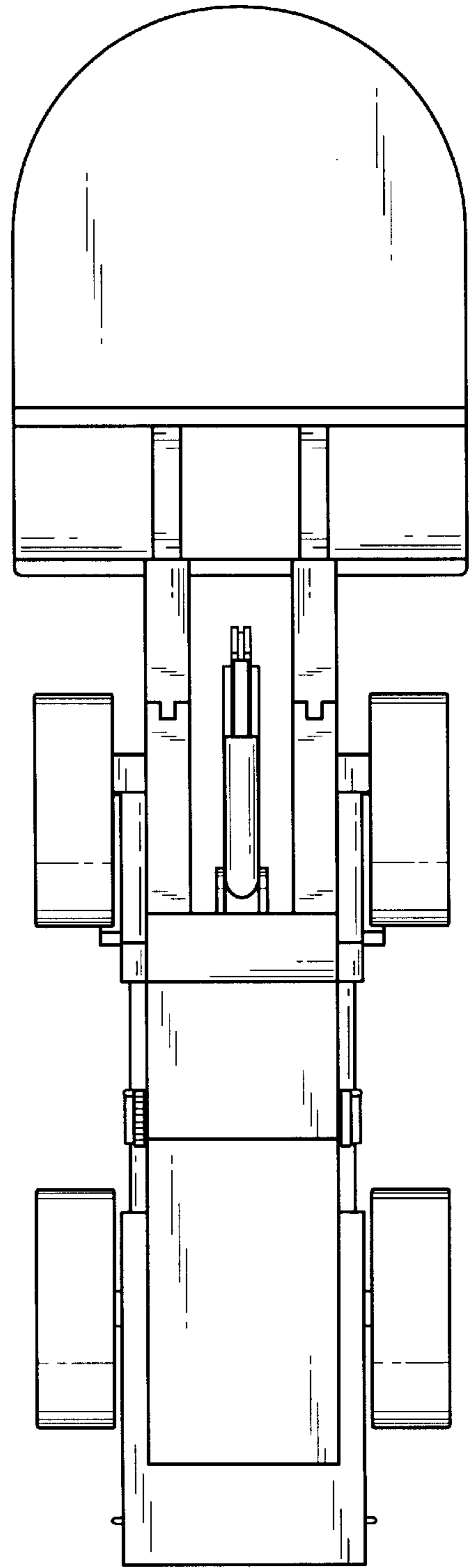


Fig. 7