



US00D432357S

United States Patent [19]
Nilsson

[11] **Patent Number: Des. 432,357**

[45] **Date of Patent: ** Oct. 24, 2000**

[54] **BAKING PLATE FRAME**

[75] Inventor: **Pär Nilsson**, Finspång, Sweden

[73] Assignee: **Runex AB**, Sweden

[**] Term: **14 Years**

[21] Appl. No.: **29/109,115**

[22] Filed: **Aug. 11, 1999**

[30] **Foreign Application Priority Data**

Feb. 12, 1999 [SE] Sweden 990293

[51] **LOC (7) Cl.** **07-02**

[52] **U.S. Cl.** **D7/409**

[58] **Field of Search** D7/402, 409, 323,
D7/354, 601; 99/324, 352, 355; 126/332,
337 R; 211/85.4, 41.2, 70.1

[56] **References Cited**

U.S. PATENT DOCUMENTS

D. 409,440	5/1999	King	D7/409
1,342,444	6/1920	Howe	99/355
4,920,873	5/1990	Stevens	99/339

Primary Examiner—Caron D. Veynar
Attorney, Agent, or Firm—Banner & Witcoff, Ltd.

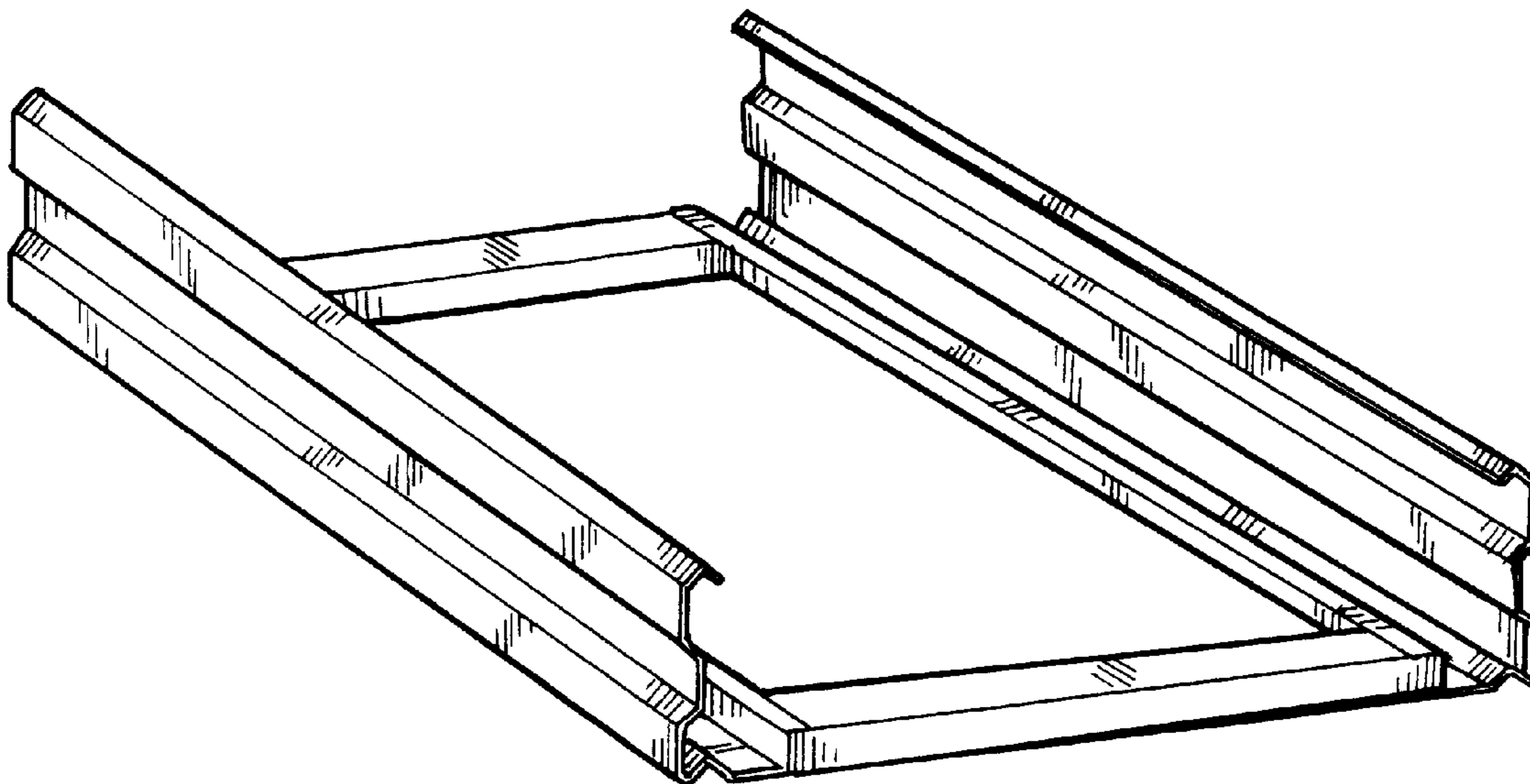
[57] **CLAIM**

The ornamental design for a baking plate frame, as shown and described.

DESCRIPTION

FIG. 1 is a top perspective view of a baking plate frame showing my new design with one side of the frame being a mirror image of the other side; and, FIG. 2 is a bottom perspective view thereof.

1 Claim, 1 Drawing Sheet



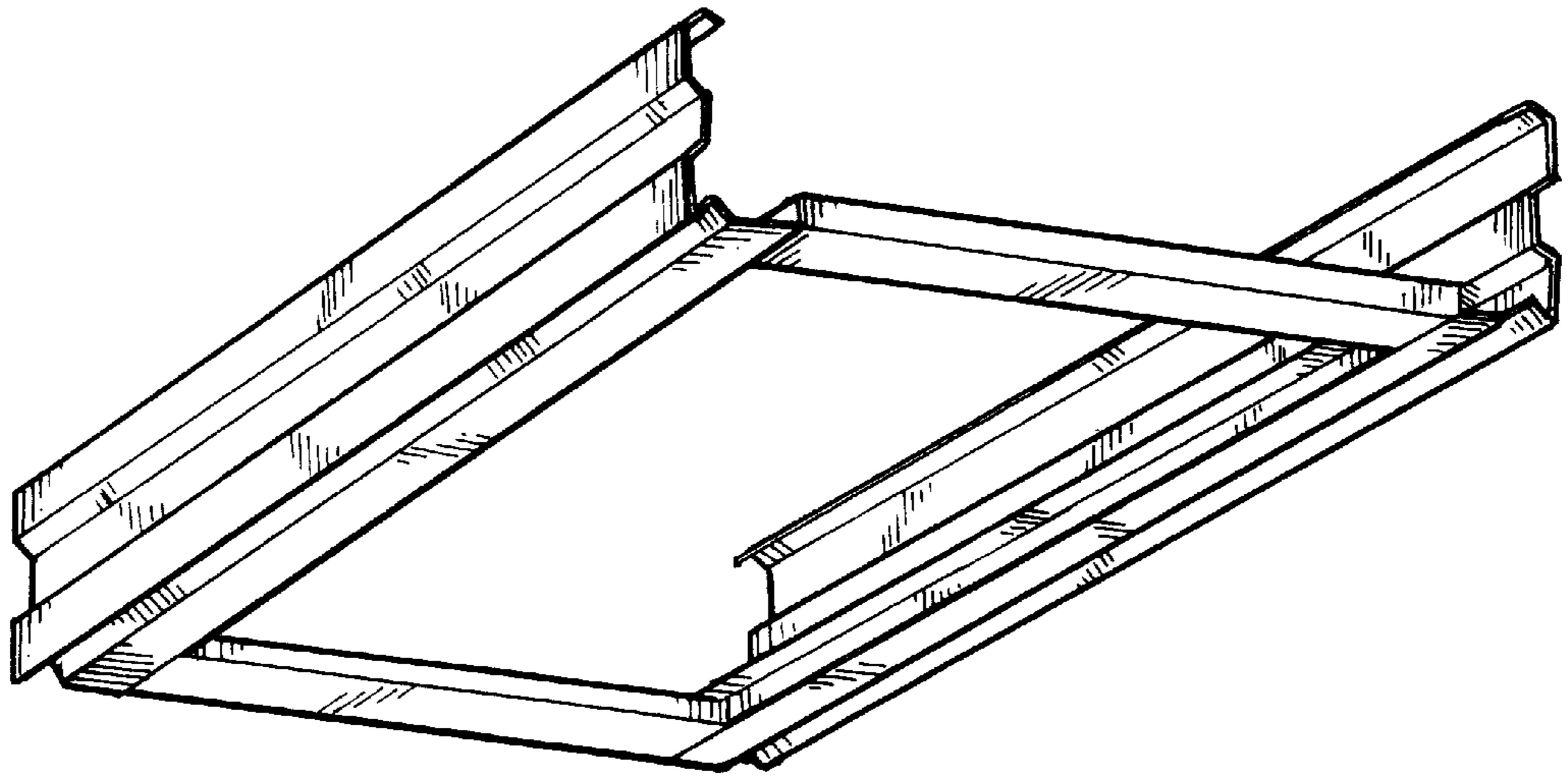


FIG. 2

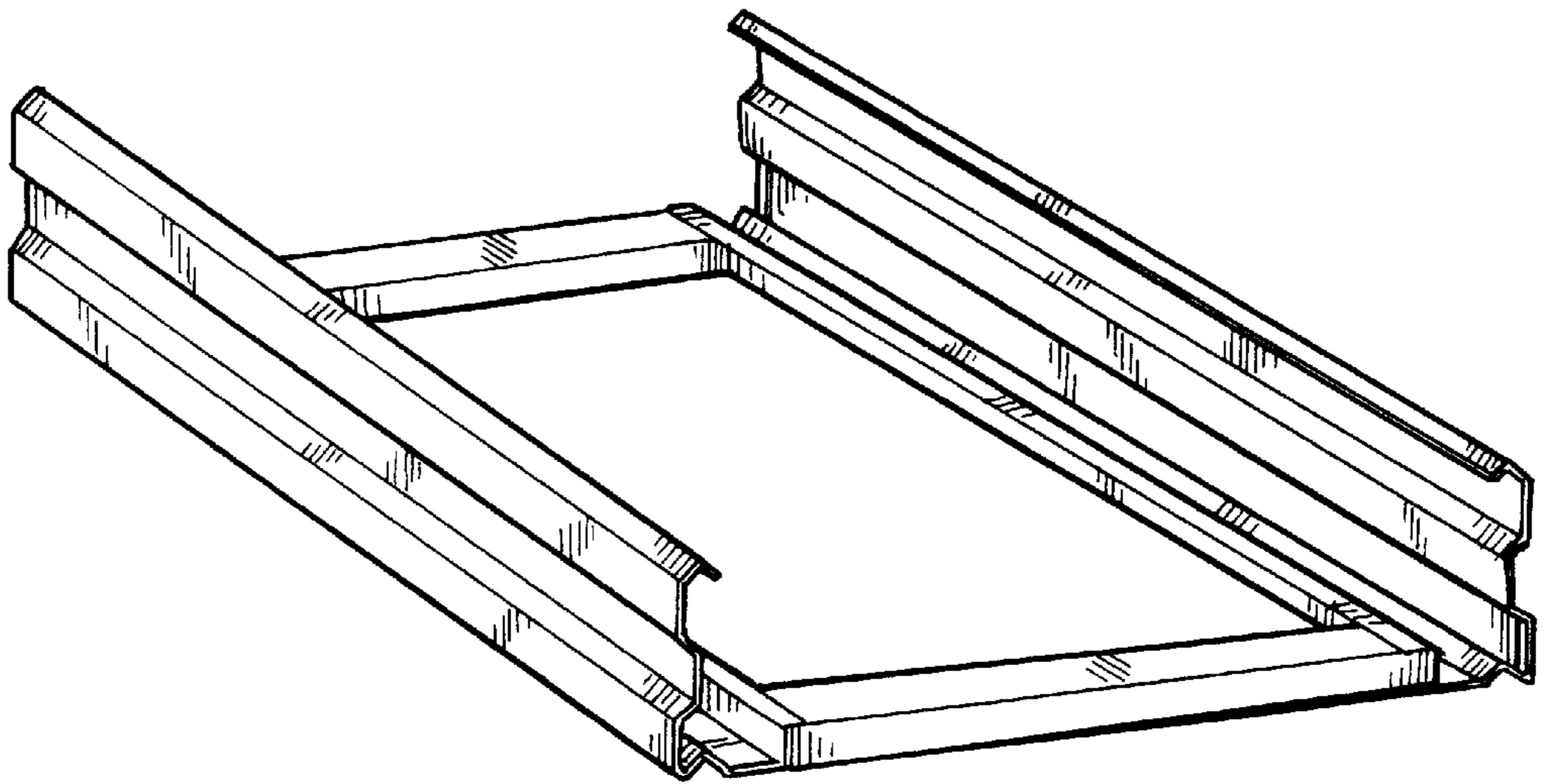


FIG. 1