

US00D432355S

United States Patent [19]
Bouldstridge

[11] **Patent Number: Des. 432,355**

[45] **Date of Patent: ** Oct. 24, 2000**

[54] **SURFACE FOR NON-SLIP TRAY**

[76] Inventor: **Teresa Bouldstridge**, Palou 16,
Barcelona, 08023, Spain

[**] Term: **14 Years**

[21] Appl. No.: **29/109,309**

[22] Filed: **Aug. 12, 1999**

[51] **LOC (7) Cl.** **07-01**

[52] **U.S. Cl.** **D7/396.1**

[58] **Field of Search** D7/550.1, 554.2,
D7/587, 396.1, 397, 543, 553.6, 553.7,
602; 220/575, 671, 574, 23.83

[56] **References Cited**

U.S. PATENT DOCUMENTS

D. 385,156 10/1997 Balari D7/550.1

OTHER PUBLICATIONS

Two (2) photographs of admitted prior art tray.

Primary Examiner—Antoine Duval Davis

Attorney, Agent, or Firm—Anthony J. Casella; Gerald E.
Hespos; Michael J. Porco

[57] **CLAIM**

The ornamental design of a surface for non-slip tray, as shown and described.

DESCRIPTION

FIG. 1 is a top plan view of the surface for non-slip tray which is smooth and in accordance with a first embodiment of my new design;

FIG. 2 is a cross-sectional view taken along lines 2—2 in FIG. 1;

FIG. 3 is a top plan view of a surface for non-slip tray having a matte finish and in accordance with a second embodiment of my design;

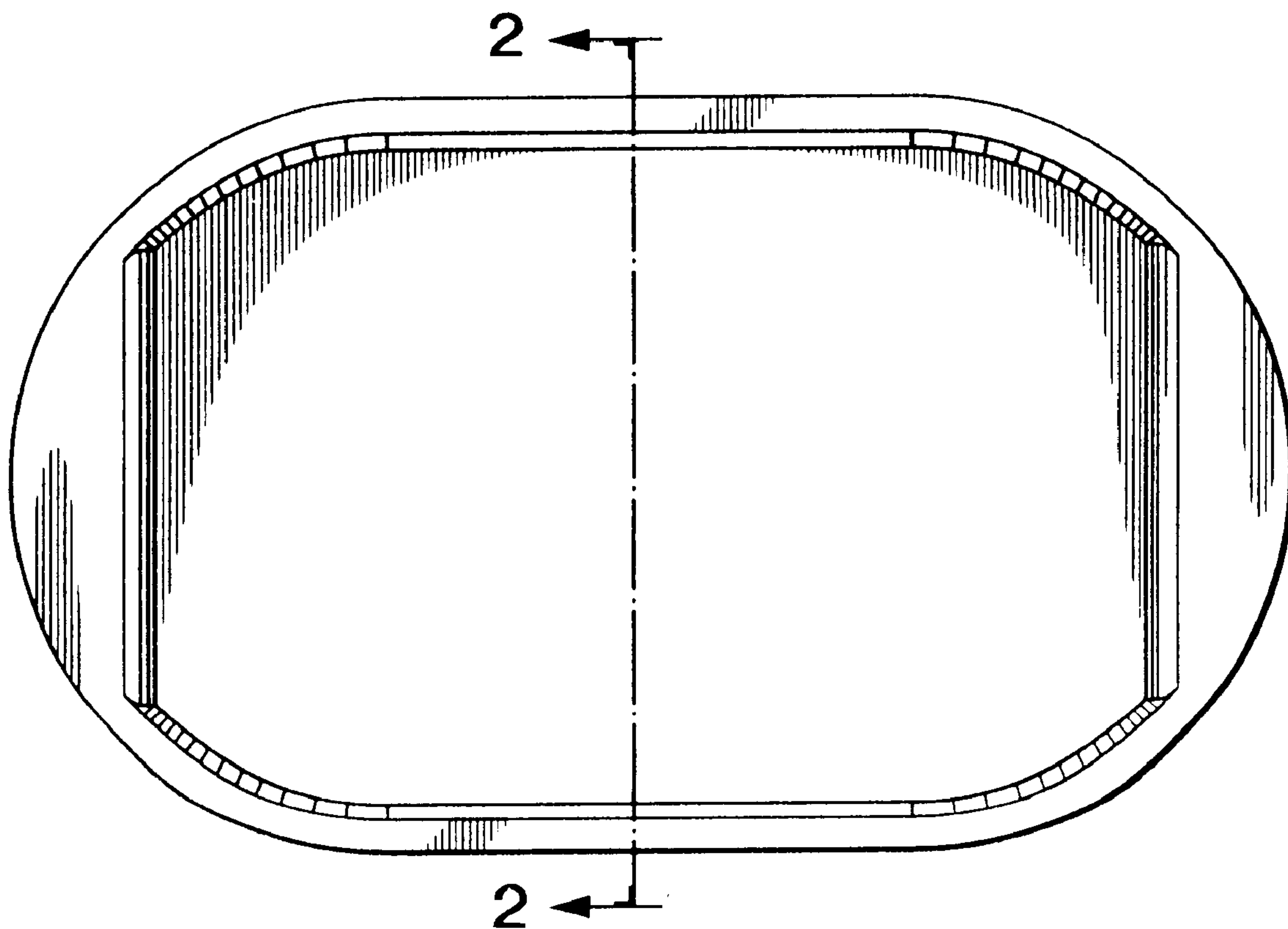
FIG. 4 is a cross-sectional view taken along lines 4—4 in FIG. 3;

FIG. 5 is a perspective view of the surface for non-slip tray of FIG. 1; and,

FIG. 6 is a perspective view of the surface for non-slip tray of FIG. 3.

The broken line showing is for illustrative purposes only and forms no part of the claimed design.

1 Claim, 2 Drawing Sheets



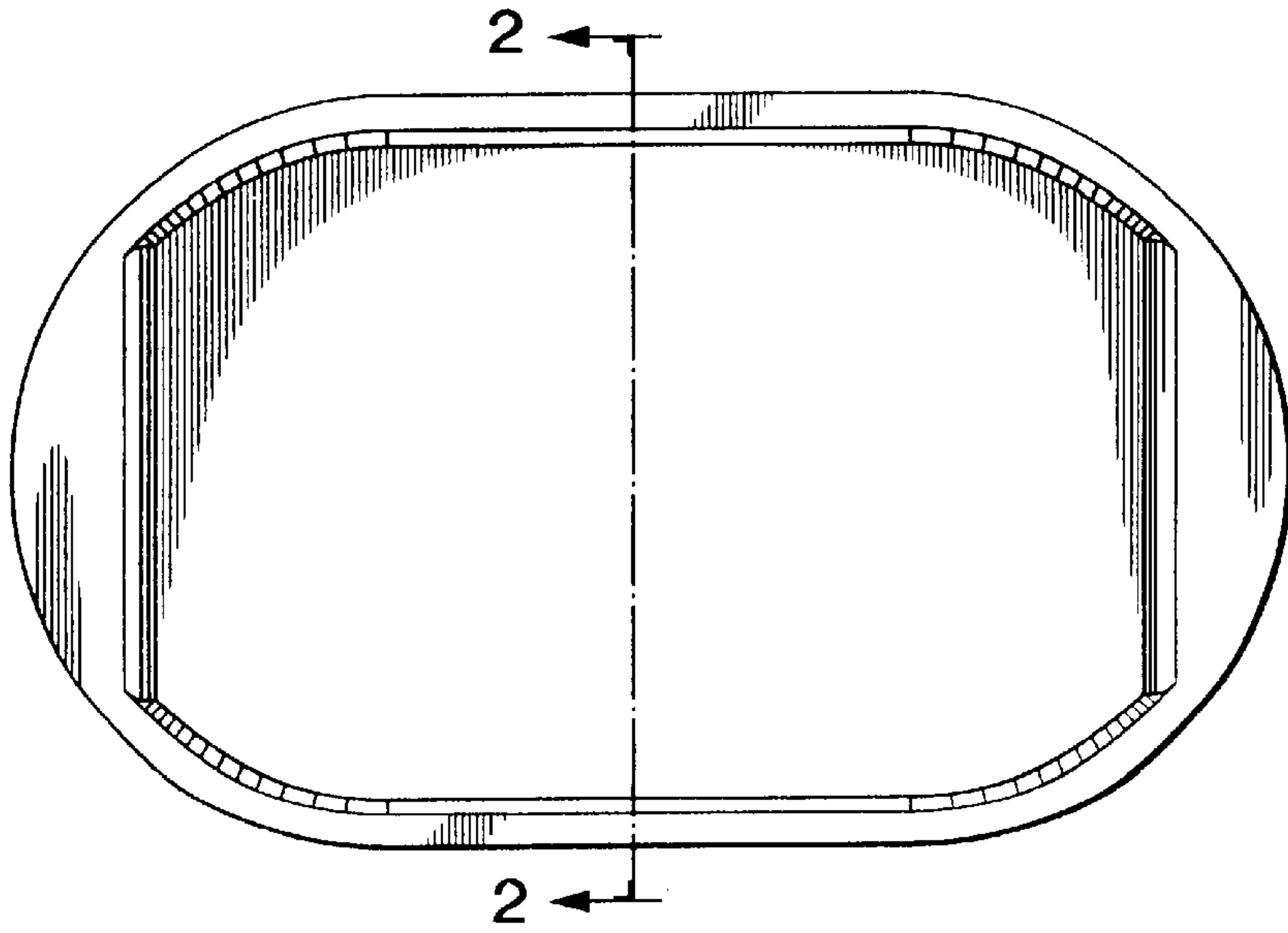


FIG. 1

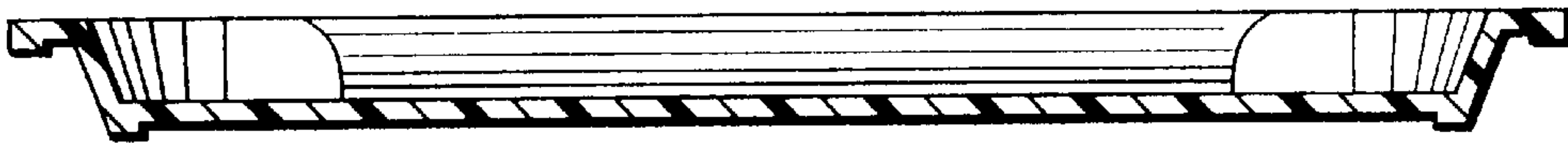


FIG. 2

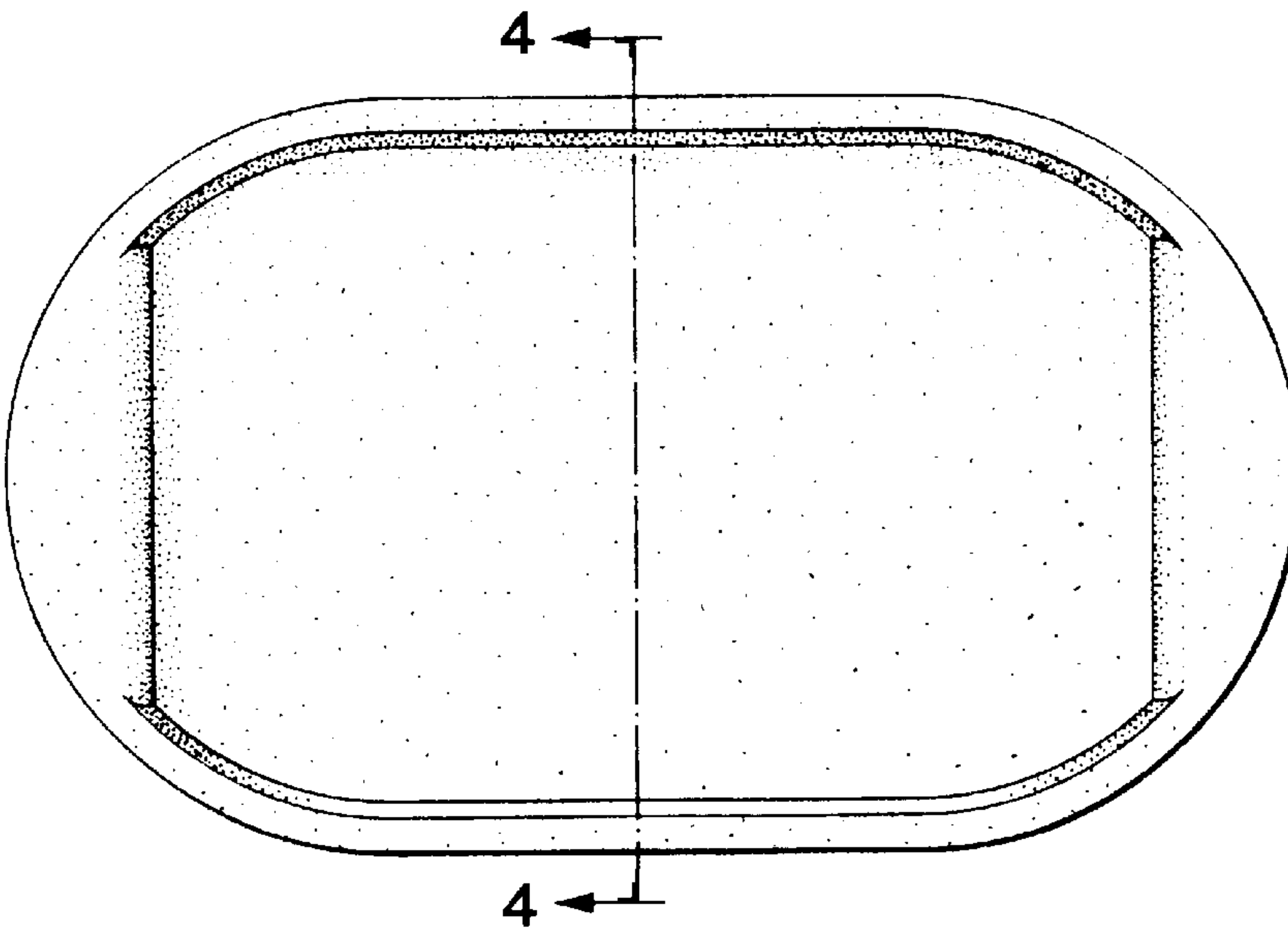


FIG. 3

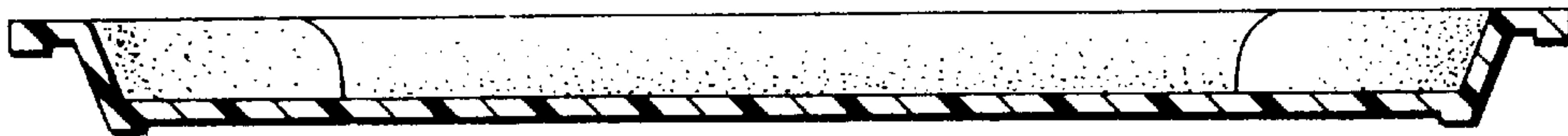


FIG. 4

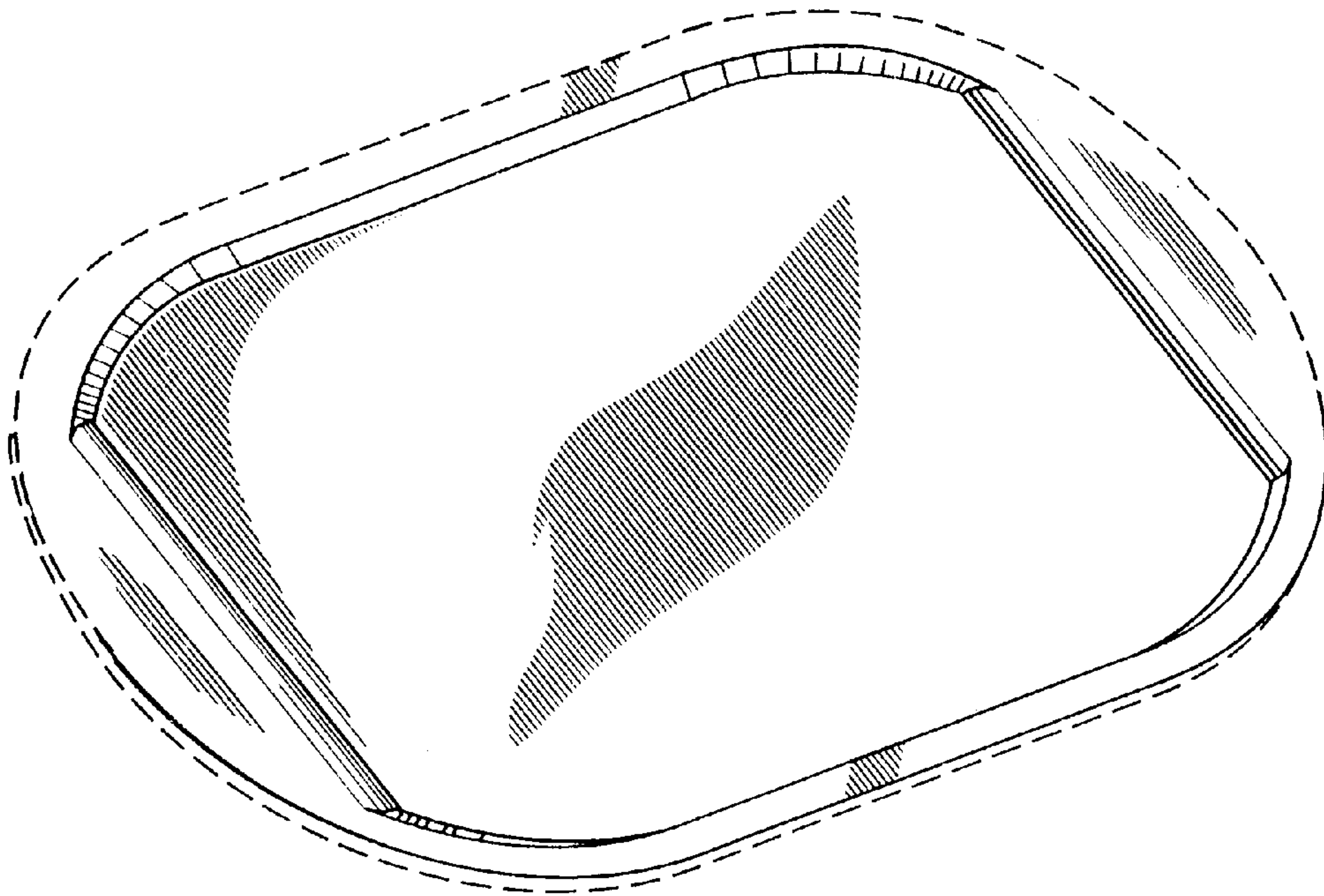


FIG. 5

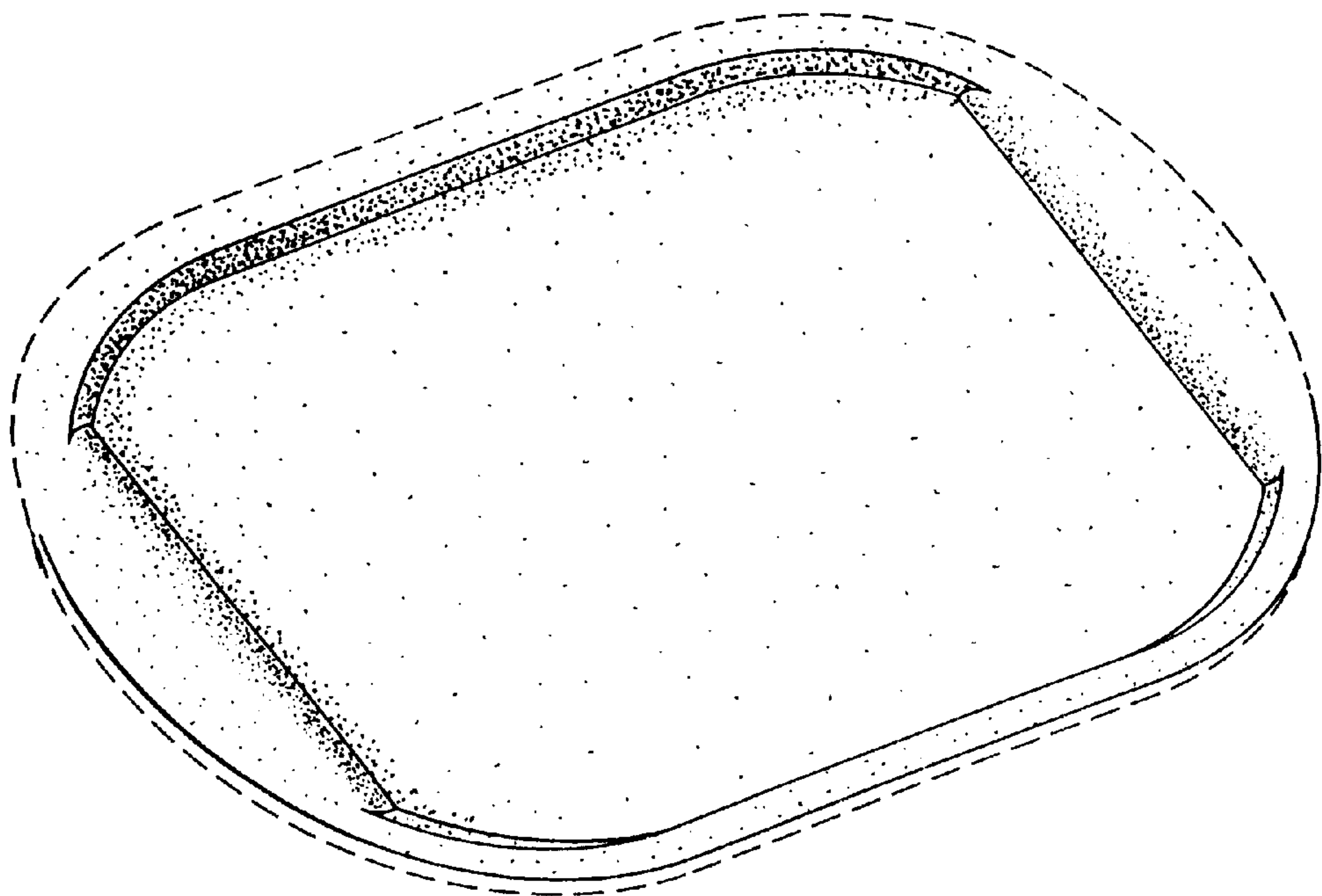


FIG. 6