



US00D432352S

United States Patent [19] Giacomel

[11] Patent Number: Des. 432,352

[45] Date of Patent: ** Oct. 24, 2000

[54] **FOOD PREPARATION AND STORAGE DEVICE**

[76] Inventor: **Jeffrey A. Giacomel**, 1909 Chasewood Cir., Suite 211, Arlington, Tex. 76011

[**] Term: **14 Years**

[21] Appl. No.: **29/111,112**

[22] Filed: **Sep. 20, 1999**

[51] **LOC (7) Cl.** **07-99**

[52] **U.S. Cl.** **D7/387; D7/213; D7/412**

[58] **Field of Search** D7/505, 558, 637, D7/641, 327, 331, 359, 368, 669, 672, 673, 683, 381, 387, 392.1, 396.1, 412, 213; 165/11.1, 140, 185; 83/762

[56] **References Cited**

U.S. PATENT DOCUMENTS

D. 259,010	4/1981	Klatt	D7/504
D. 282,137	1/1986	Williams et al.	D7/637
D. 378,979	4/1997	Clubb	D7/673
D. 408,692	4/1999	Tisdale	D7/638
D. 412,268	7/1999	Uemura	D7/673
1,348,059	7/1920	Sheppard	294/106
1,808,617	6/1931	Thompson	165/185 X
1,817,978	8/1931	Feldmeier	165/74
2,100,080	11/1937	Lackinger	294/106
2,325,647	8/1943	Adamson	165/185 X
2,688,467	9/1954	Leatzow	165/185 X
2,835,480	7/1958	Perez	165/104.21
4,745,968	5/1988	Demos	165/185
4,785,875	11/1988	Meijer et al.	165/104.25
5,014,776	5/1991	Hess	165/185
5,129,451	7/1992	Moir et al.	165/185
5,461,867	10/1995	Scudder et al.	62/4

5,787,976	8/1998	Hamburgen et al.	165/185
5,875,834	3/1999	Brooks	165/11.1
5,907,989	6/1999	Sie et al.	83/762

FOREIGN PATENT DOCUMENTS

445563	11/1912	France	.
1.586.050	2/1970	France	.
2 575 814	7/1986	France	.
2 027 527	12/1970	Germany	.
32 14 886	10/1983	Germany	.
8-322530	10/1996	Japan	.
WO 90/14771	12/1990	WIPO	.
WO 99/10691	3/1999	WIPO	.

OTHER PUBLICATIONS

Patent Abstracts of Japan: vol. 097, No. 004, Apr. 30, 1997
JP 08 322530 A (Hoshizaki Electric Co Ltd) Dec. 10, 1996.
All QA Products, Inc. catalog, Gainesville, FL., p. 11.

Primary Examiner—M. N. Pandozzi
Attorney, Agent, or Firm—Sidley & Austin

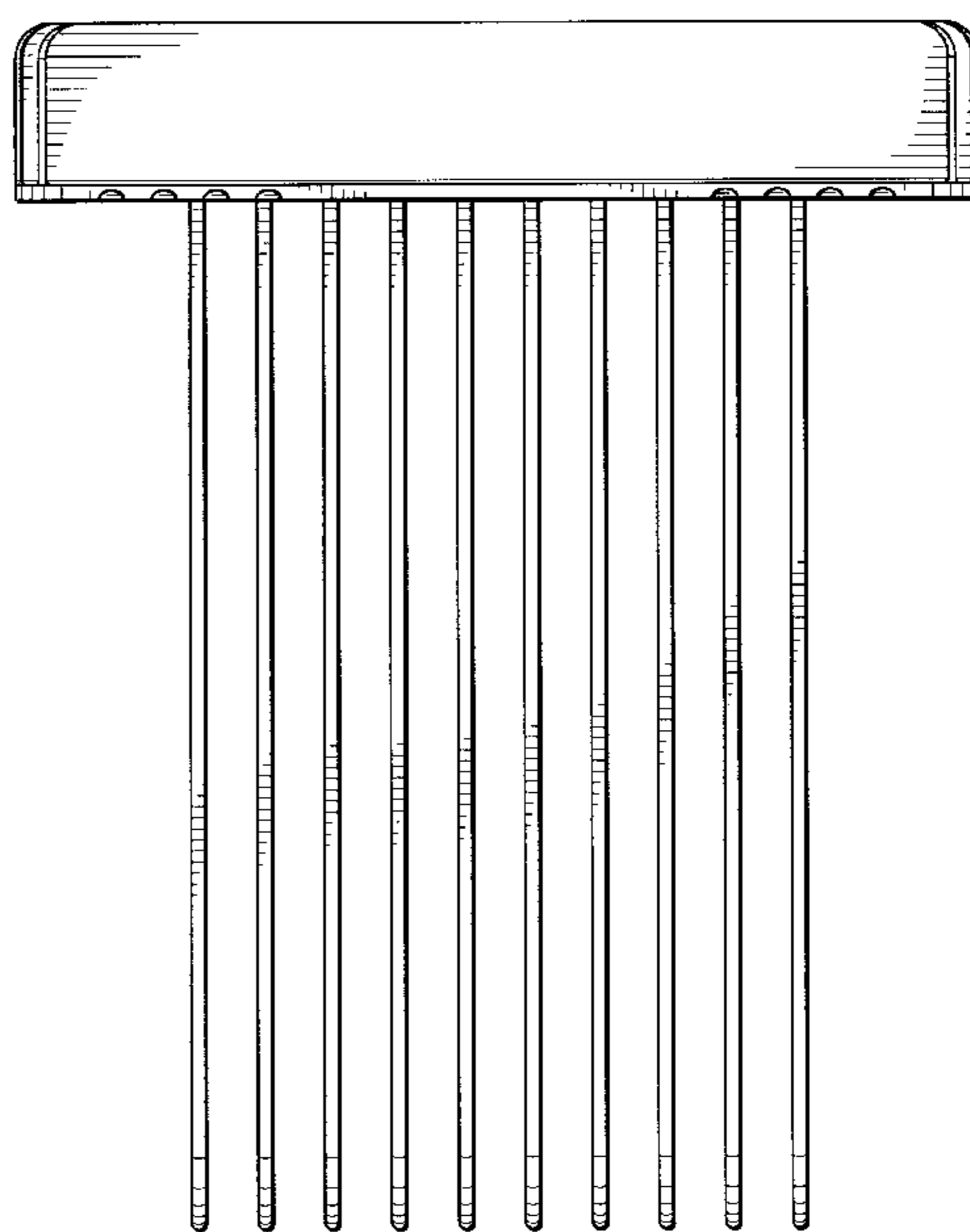
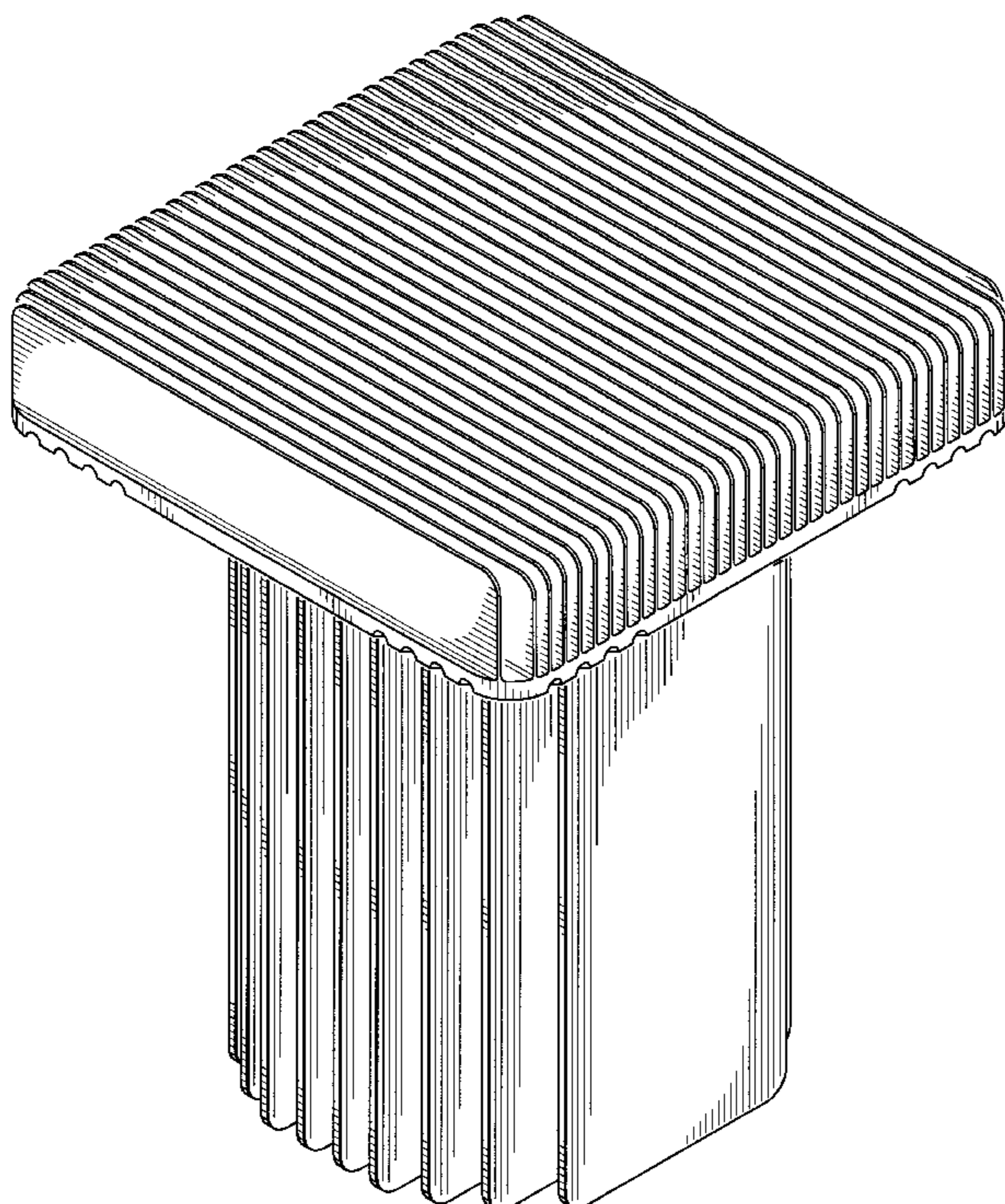
[57] **CLAIM**

The ornamental design for a food preparation and storage device, as shown and described.

DESCRIPTION

FIG. 1 is a perspective view of a food preparation and storage device embodying my design from above; FIG. 2 is a perspective view thereof from below; FIG. 3 is a front view thereof, the back view being identical; FIG. 4 is a left side view thereof, the right side view being identical; FIG. 5 is a top view thereof; and, FIG. 6 is a bottom view thereof.

1 Claim, 6 Drawing Sheets



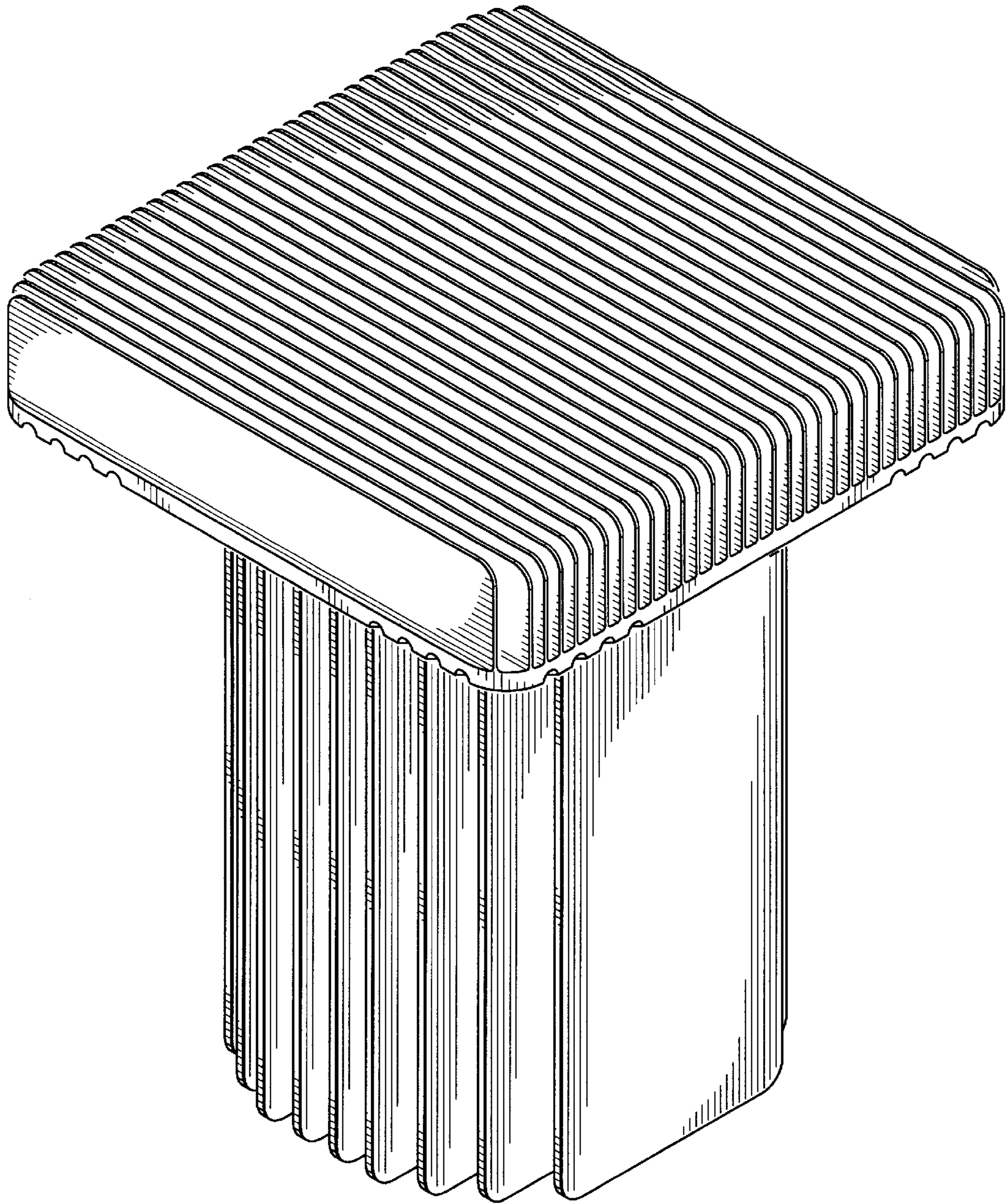


FIG. 1

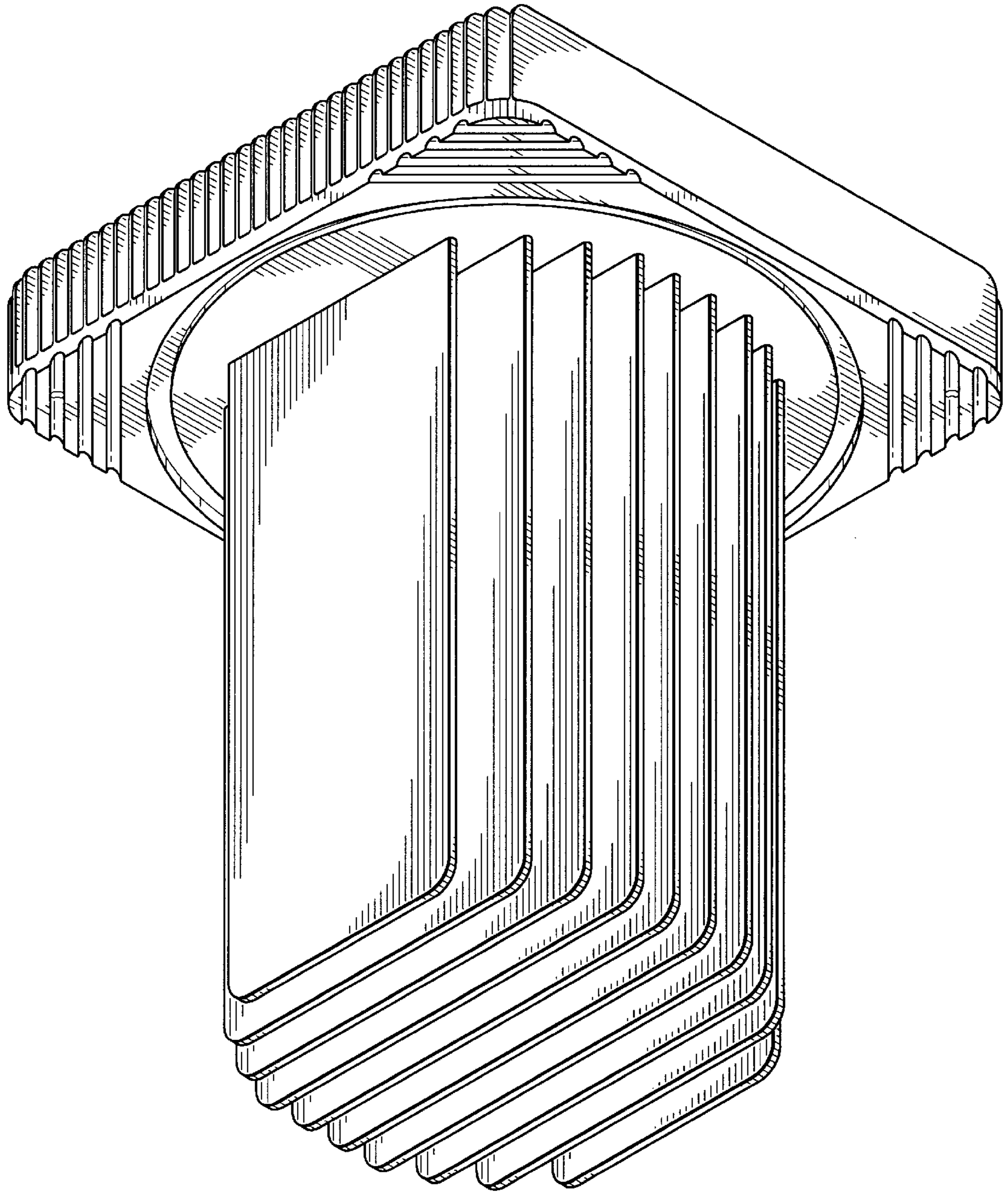


FIG. 2

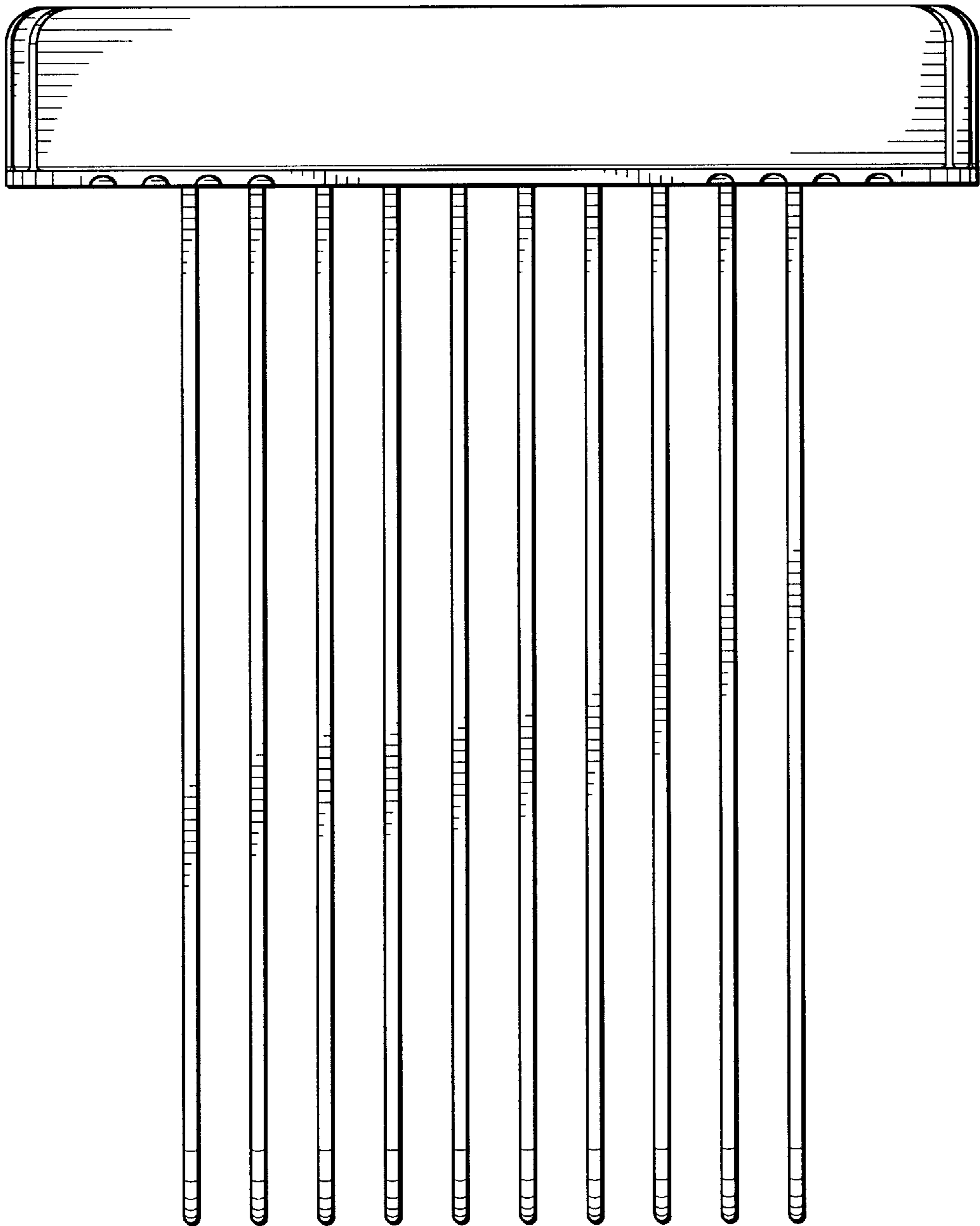


FIG. 3

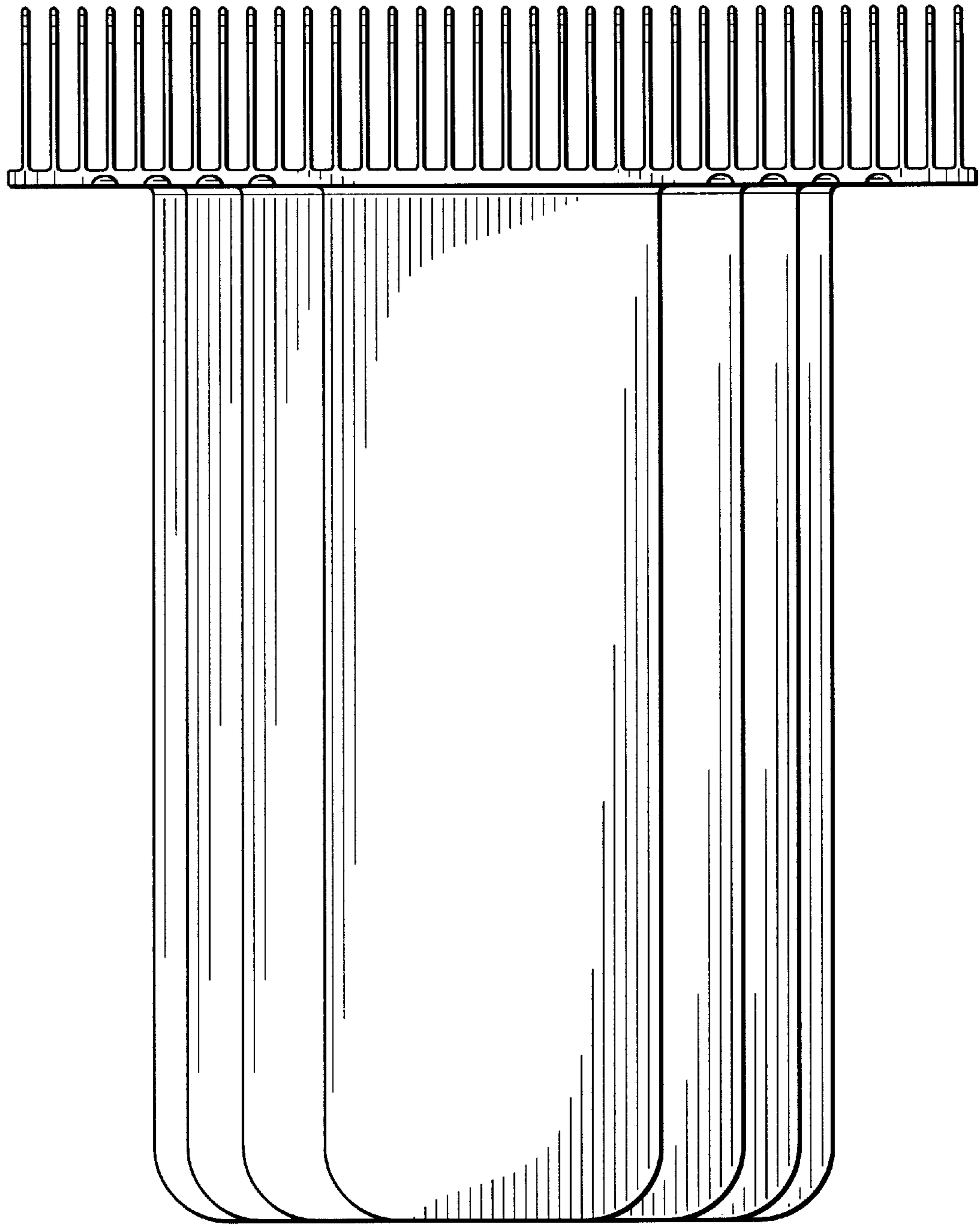


FIG. 4

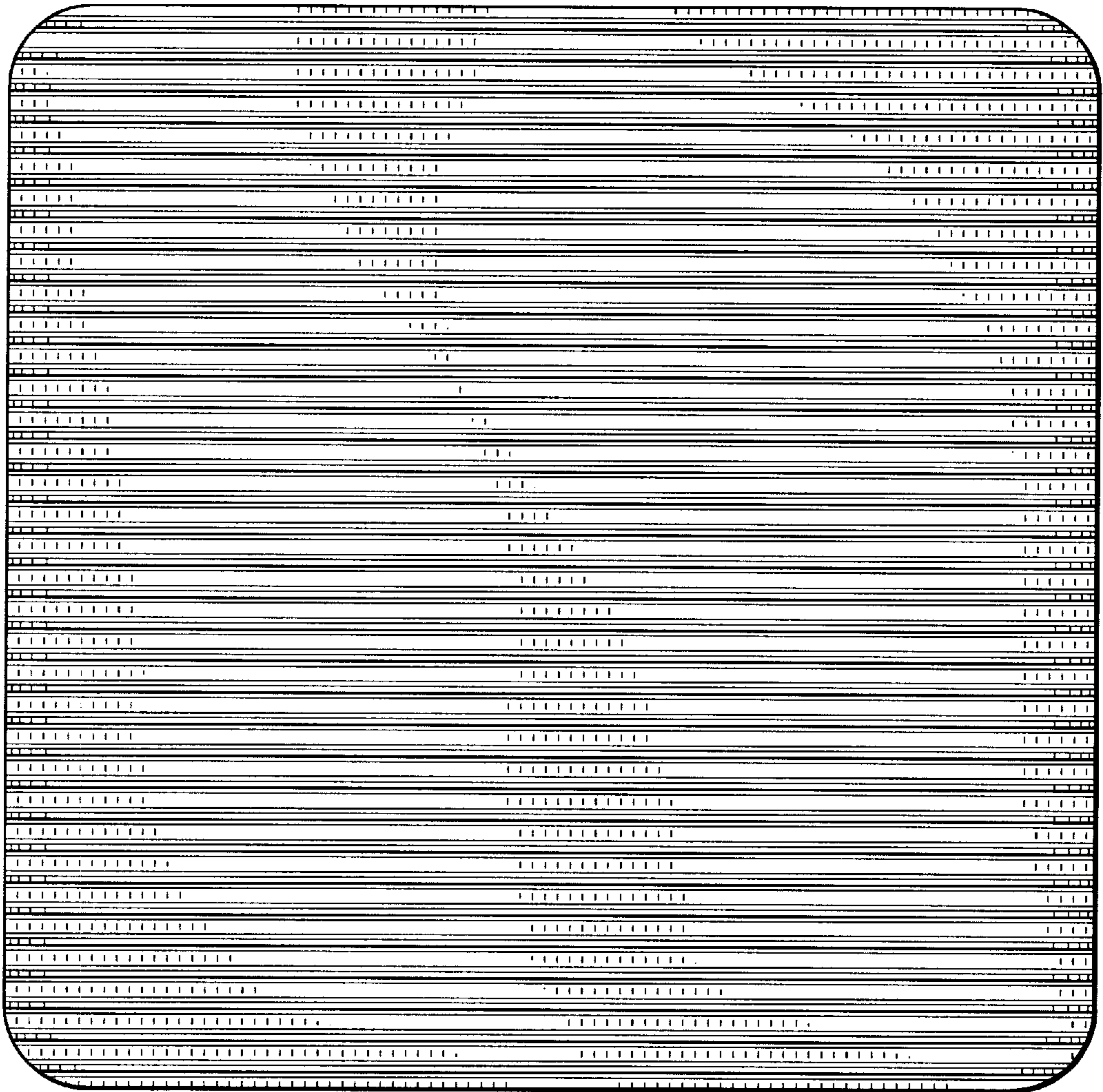


FIG. 5

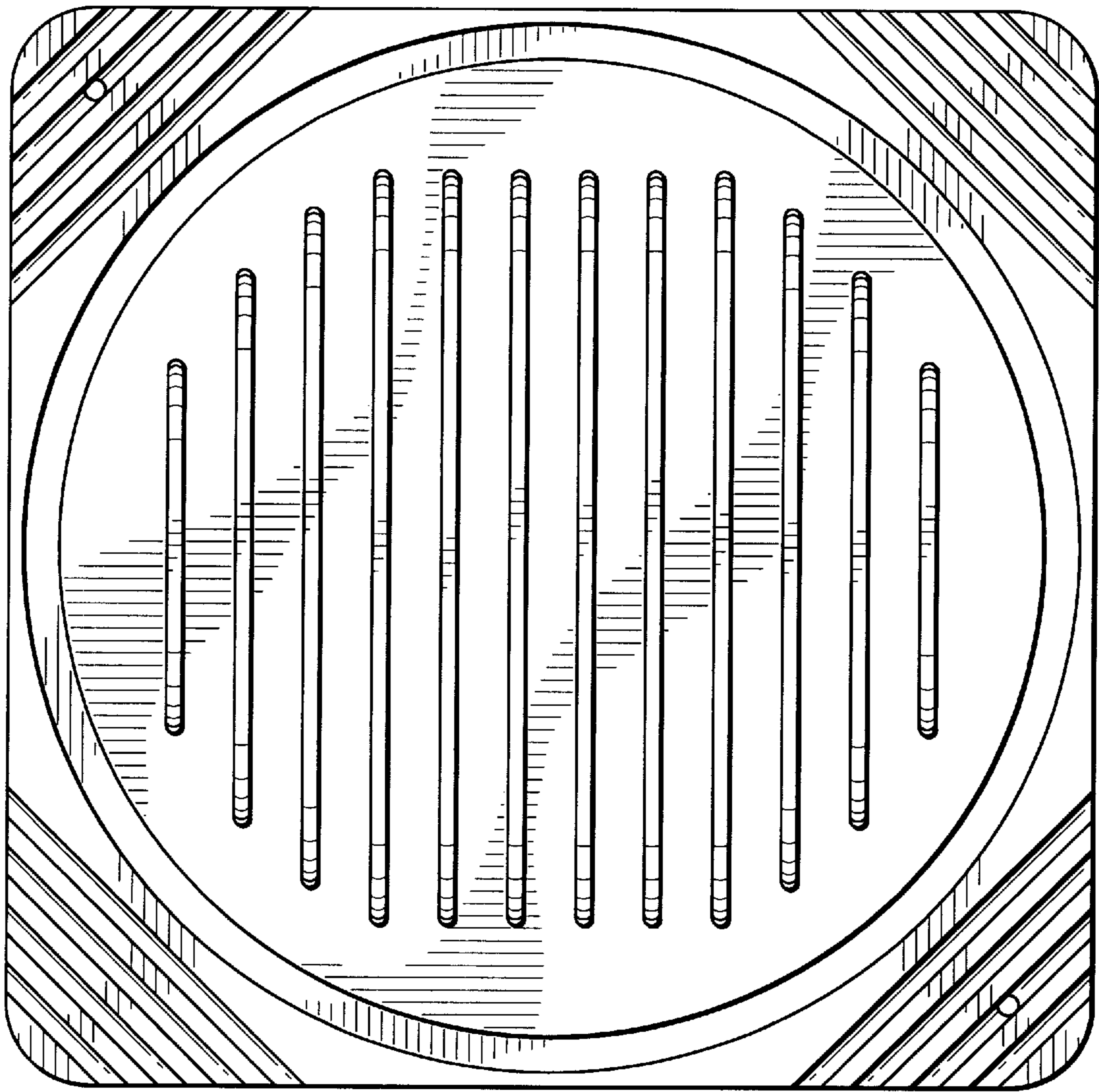


FIG. 6