



US00D432349S

# United States Patent [19]

Jo

[11] Patent Number: **Des. 432,349**

[45] Date of Patent: **\*\* Oct. 24, 2000**

[54] **COVERED HIGH PRESSURE ELECTRIC COOKER**

[75] Inventor: **Jong-Yeon Jo**, Inchon, Rep. of Korea

[73] Assignee: **Jae Woo Co., LTD**, Inchon, Rep. of Korea

[\*\*] Term: **14 Years**

[21] Appl. No.: **29/115,159**

[22] Filed: **Dec. 8, 1999**

[30] **Foreign Application Priority Data**

Jun. 14, 1999 [KR] Rep. of Korea ..... 99-13145

[51] **LOC (7) Cl.** ..... **07-02**

[52] **U.S. Cl.** ..... **D7/358**

[58] **Field of Search** ..... D7/323, 354-361;  
99/324, 329 R; 126/373, 374

[56] **References Cited**

**U.S. PATENT DOCUMENTS**

D. 183,684 10/1958 Ernest ..... D7/361

D. 253,867 1/1980 Boldt et al. .... D7/358  
D. 295,817 5/1988 Sebillotte ..... D7/358  
D. 312,751 12/1990 Moreno ..... D7/358  
D. 365,494 12/1995 Roussard ..... D7/358  
4,257,394 3/1981 Zabel ..... 126/374.1

*Primary Examiner*—Caron D. Veynar  
*Attorney, Agent, or Firm*—Ladas & Parry

[57] **CLAIM**

I claim the ornamental design for covered high pressure electric cooker, as shown and described.

**DESCRIPTION**

FIG. 1 is a front/top/right-side perspective view of a covered high pressure electric cooker showing my new design; FIG. 2 is a front elevational view thereof; FIG. 3 is a rear elevational view thereof; FIG. 4 is a left elevational view thereof; FIG. 5 is a right elevational view thereof; FIG. 6 is a top plan view thereof; and, FIG. 7 is a bottom plan view thereof.

**1 Claim, 4 Drawing Sheets**

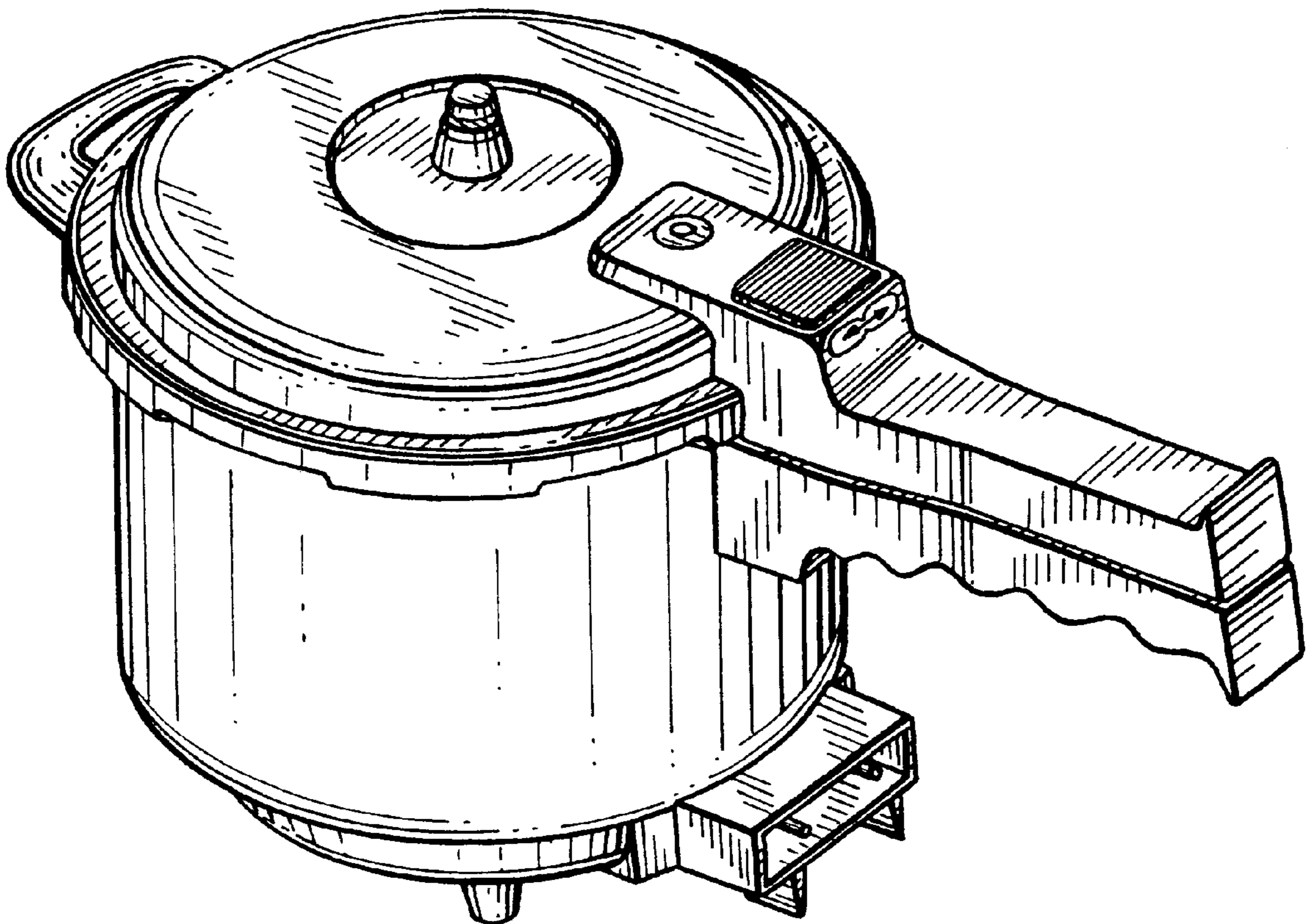


FIG. 1

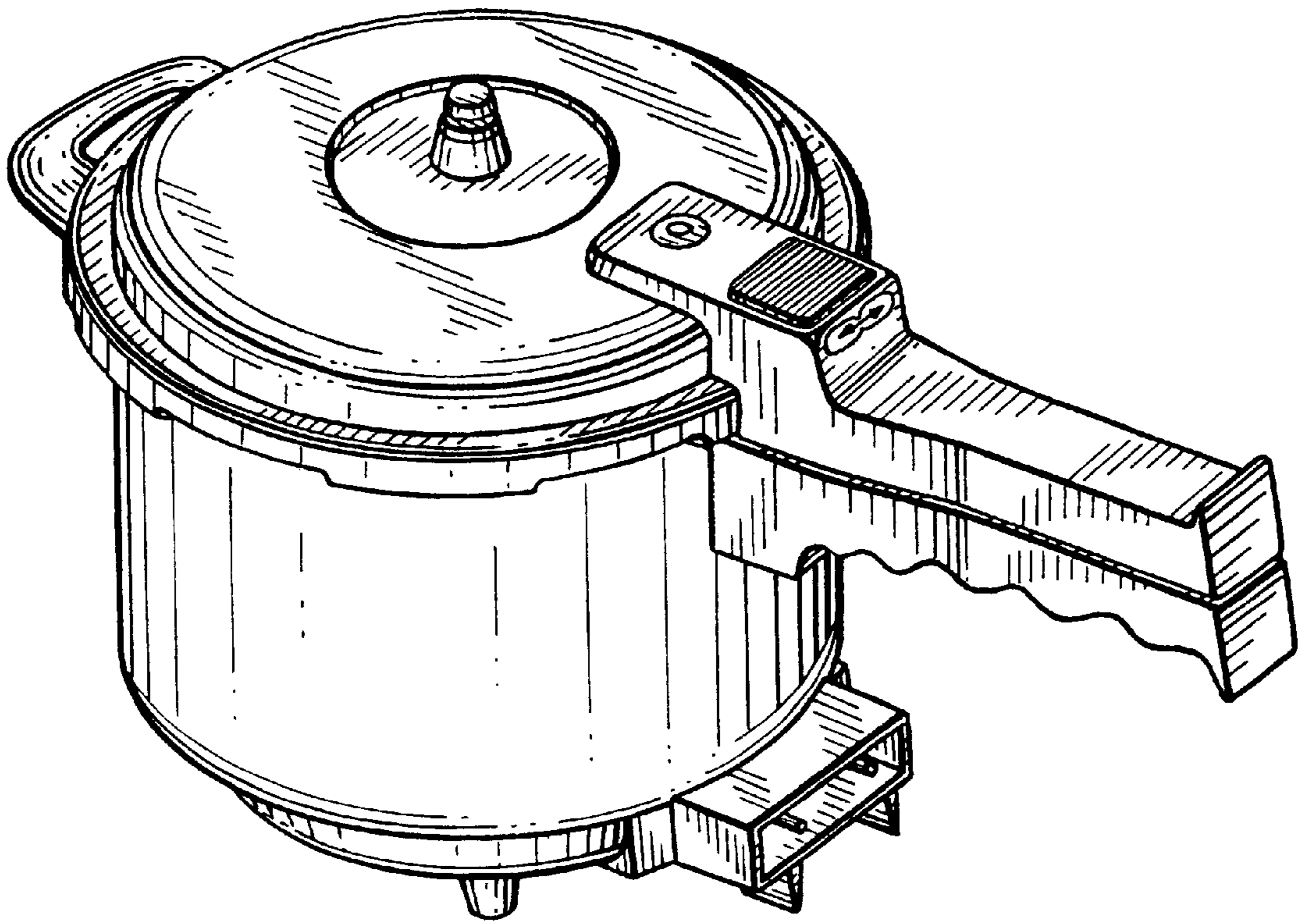


FIG. 2

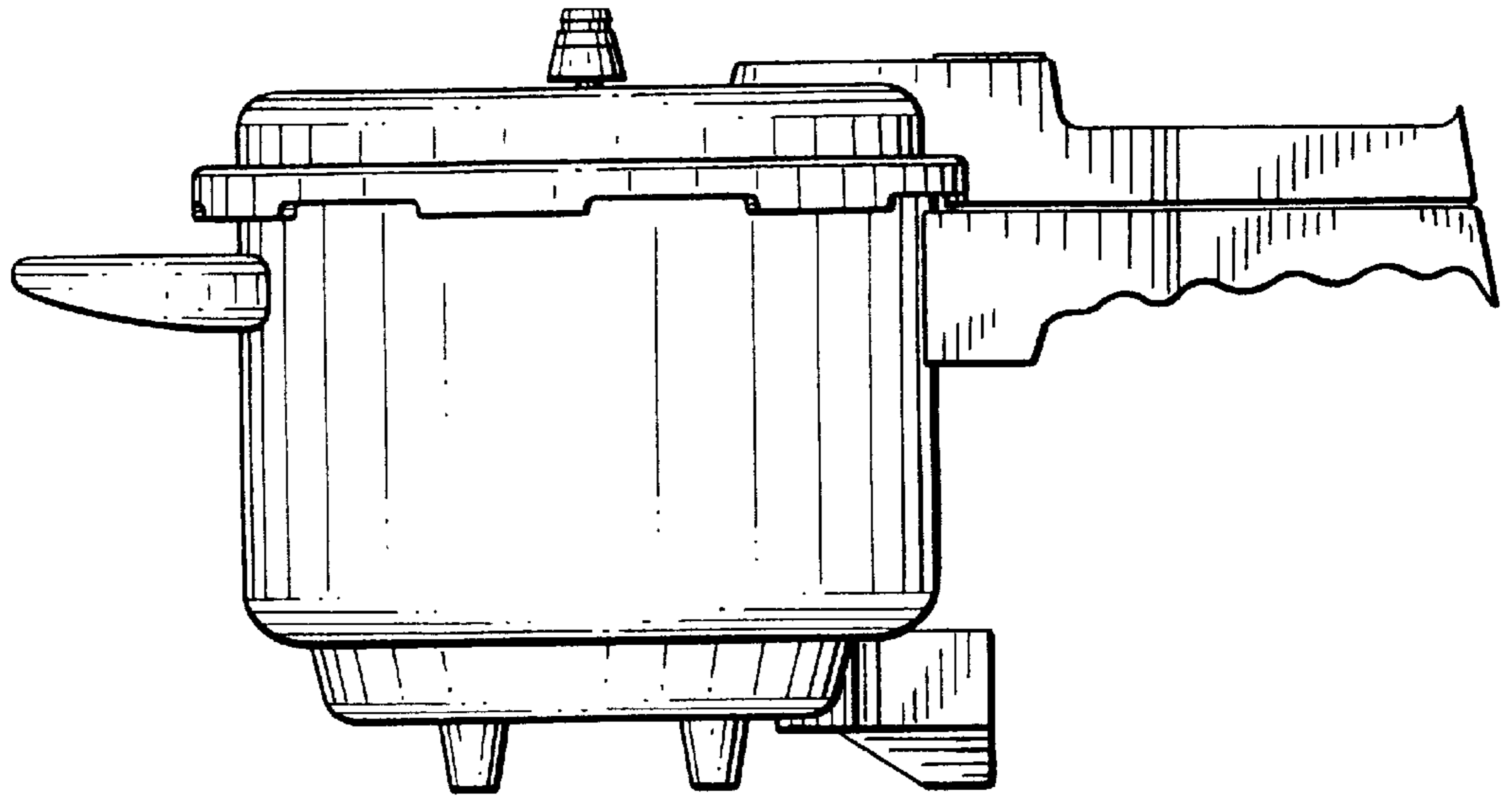


FIG. 3

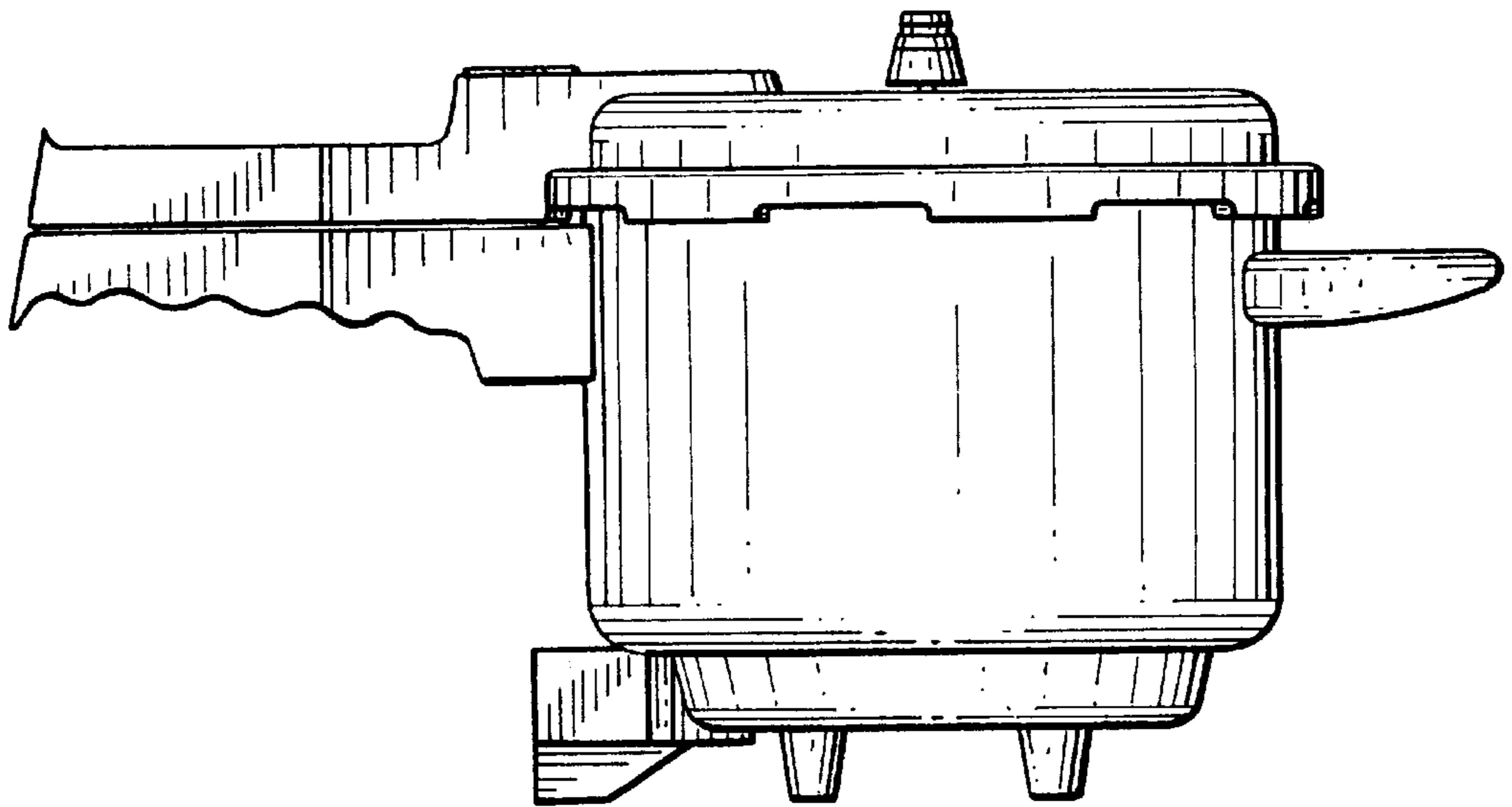


FIG. 4

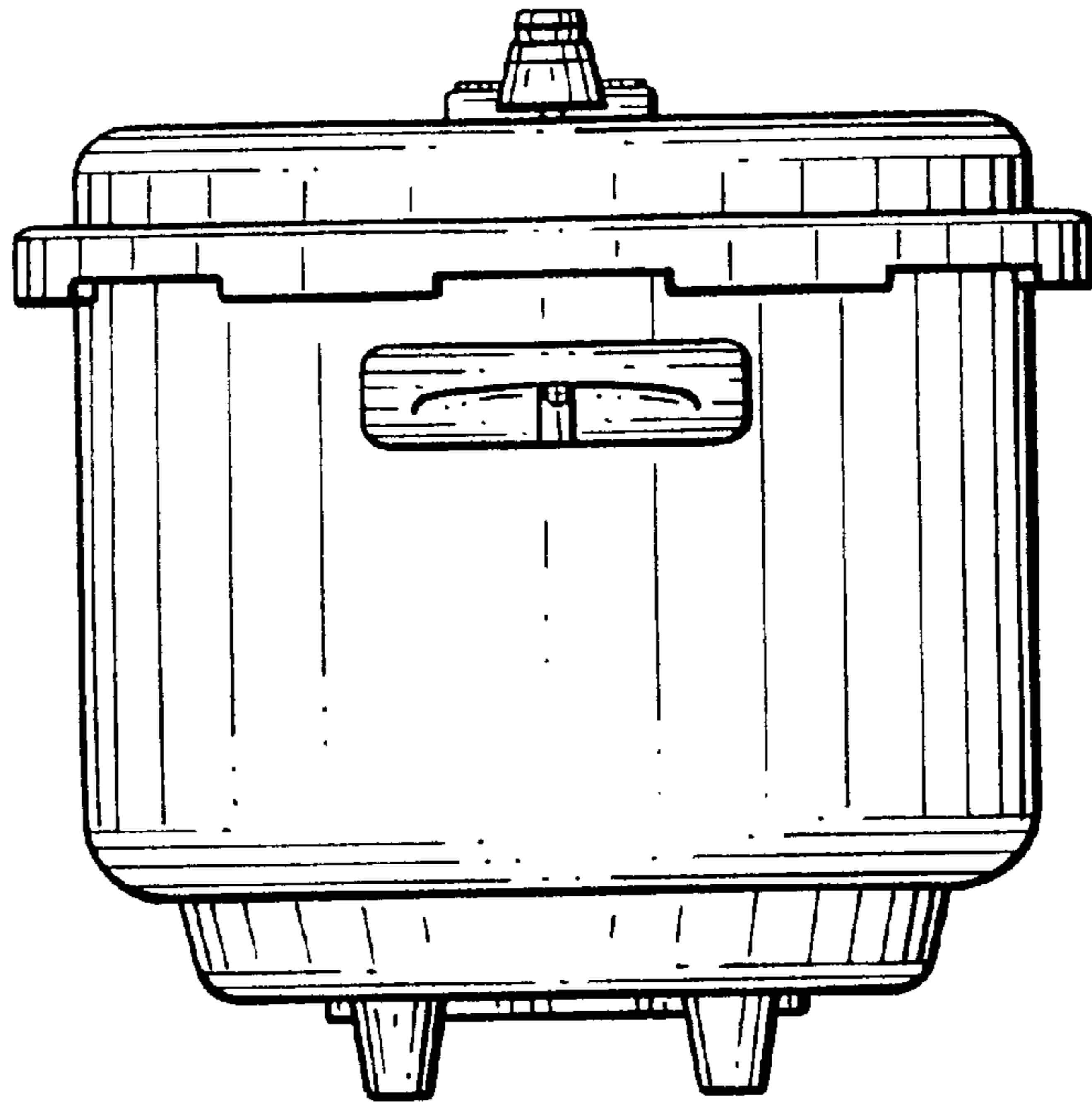


FIG. 5

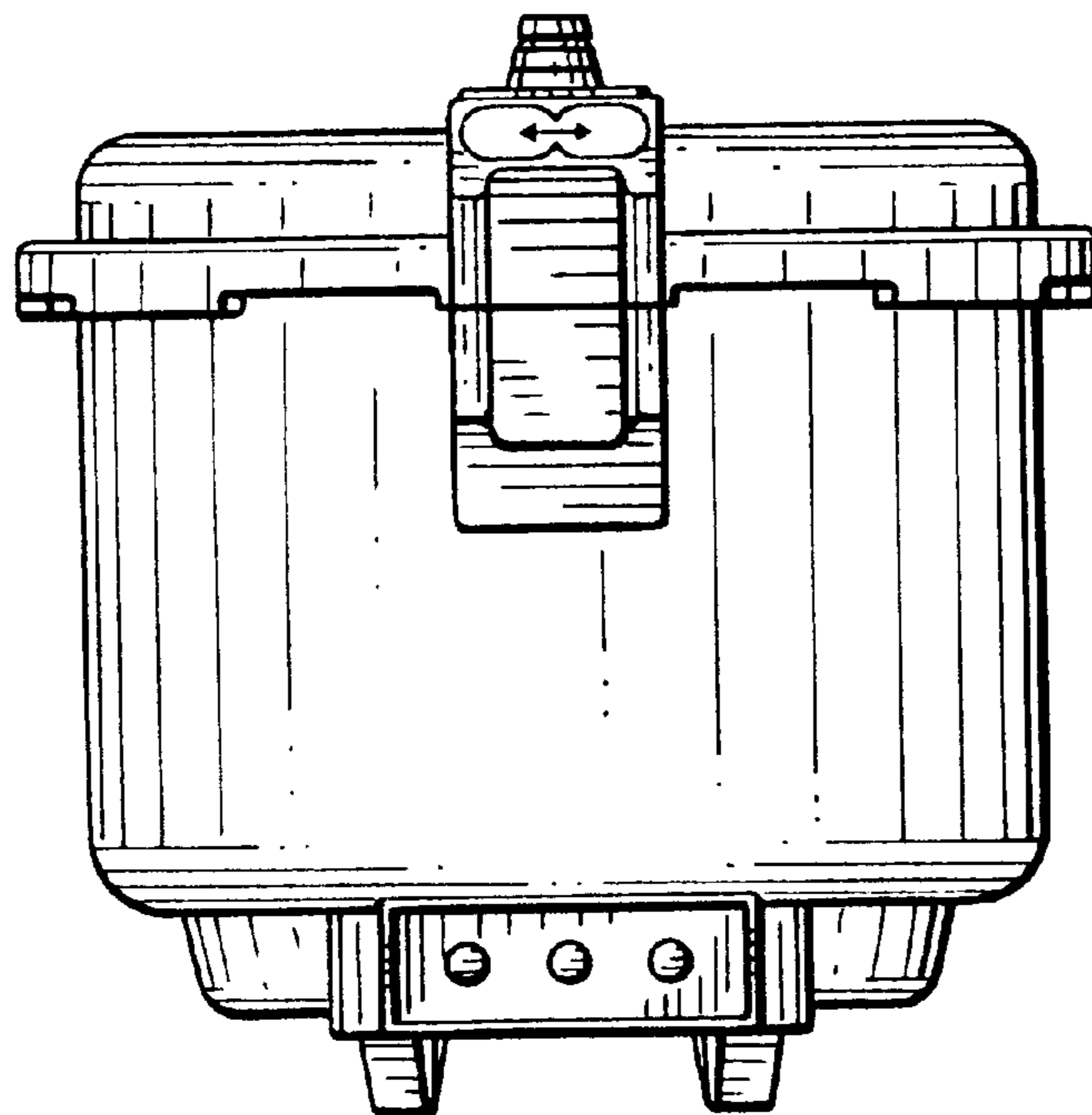




FIG. 6

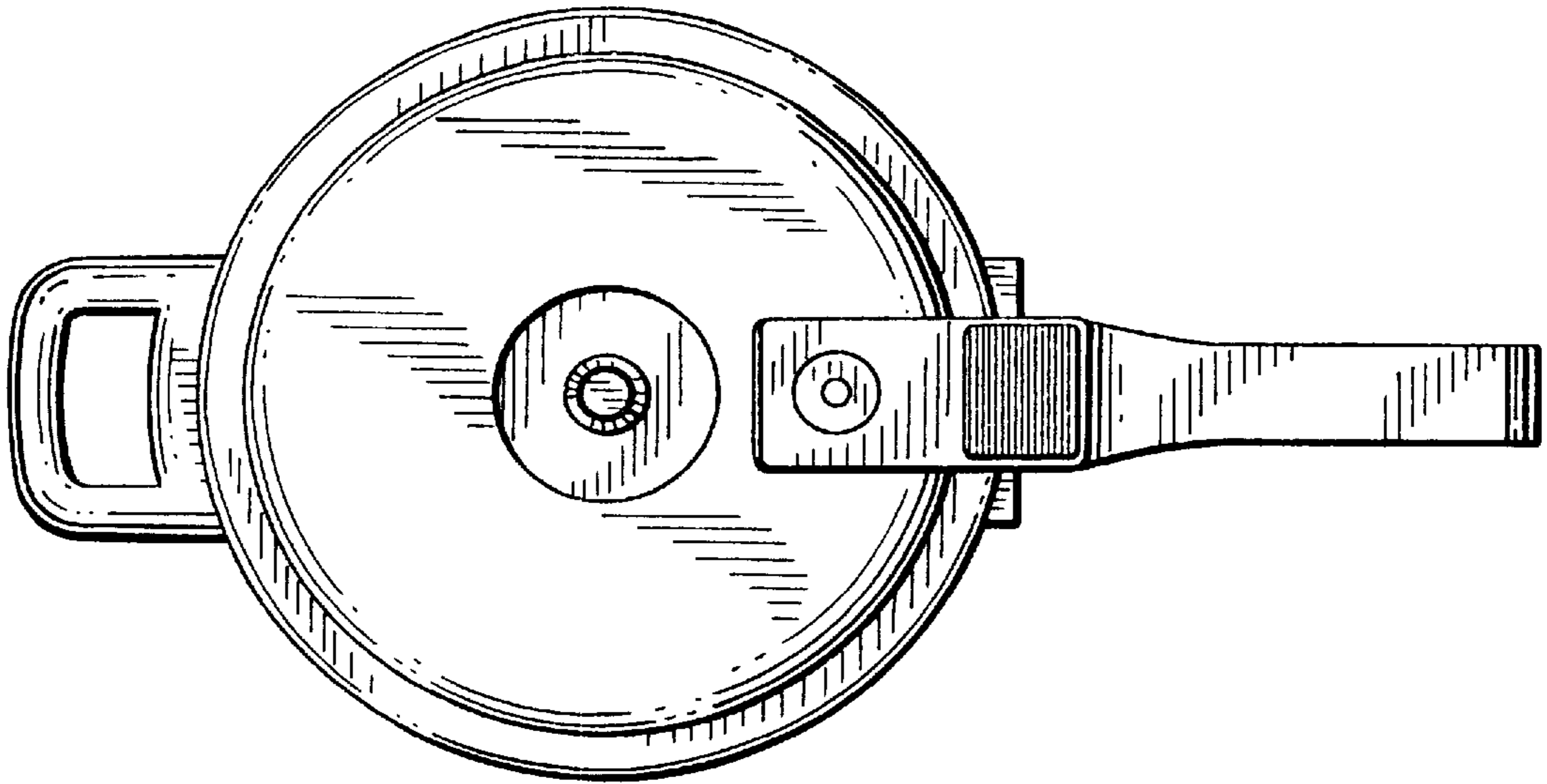


FIG. 7

