



US00D432344S

United States Patent [19] Eskandry

[11] Patent Number: Des. 432,344

[45] Date of Patent: ** Oct. 24, 2000

[54] COMPACT DISK CASE

[76] Inventor: Ezra D. Eskandry, 1925 Brickell Ave., D901, Miami, Fla. 33129

[**] Term: 14 Years

[21] Appl. No.: 29/110,395

[22] Filed: Sep. 2, 1999

[51] LOC (7) Cl. 06-04

[52] U.S. Cl. D6/632; D6/633; D3/201; D3/218

[58] Field of Search D3/201, 215, 218; D6/407, 408, 626-635; D14/124; 206/307, 307.1, 308.1, 308.3, 309, 310, 311, 312, 313, 387.13, 232, 234, 315.1, 37.4; 220/520; 369/291

[56] **References Cited**

U.S. PATENT DOCUMENTS

D. 126,967	5/1941	Rhodes	D5/46
D. 383,620	9/1997	Smith et al.	D6/407
D. 387,217	12/1997	Lakoski et al.	D6/407
D. 391,074	2/1998	Bean et al.	D3/201
D. 418,287	1/2000	Moor	D3/201
D. 421,521	3/2000	Howard	D3/201
4,838,709	6/1989	Guerriero et al.	383/18
5,535,884	7/1996	Scott et al.	206/445
5,713,463	2/1998	Lakoski et al.	206/308.1
5,826,717	10/1998	Eskandry	206/308.1
5,848,687	12/1998	Shultz	206/308.1
6,012,575	1/2000	Eskandry	206/308.1

6,035,901	3/2000	Stumpf et al.	139/419
6,039,393	3/2000	Roh	297/184.13

Primary Examiner—Celia Murphy
Attorney, Agent, or Firm—Robert C. Kain, Jr.

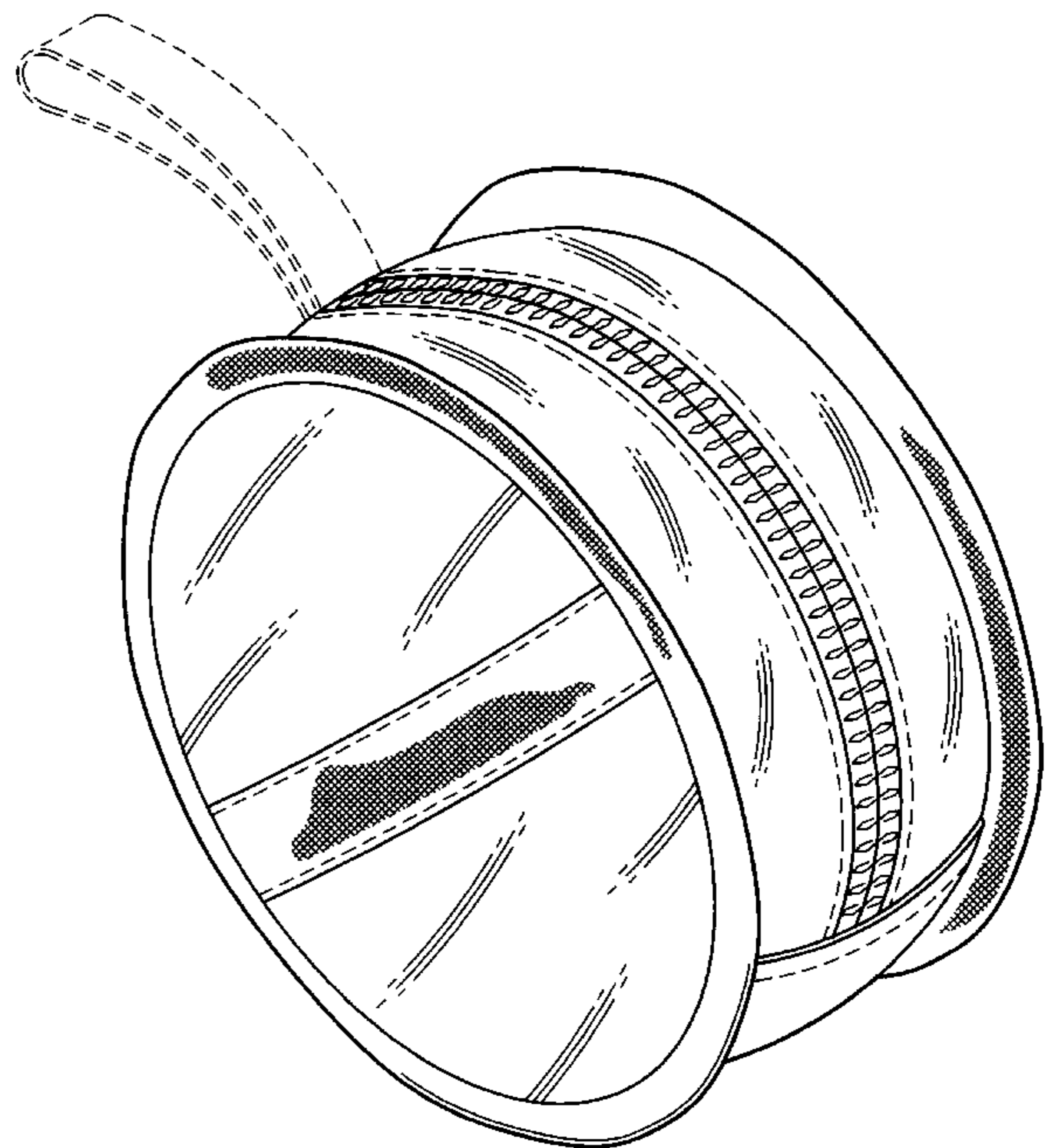
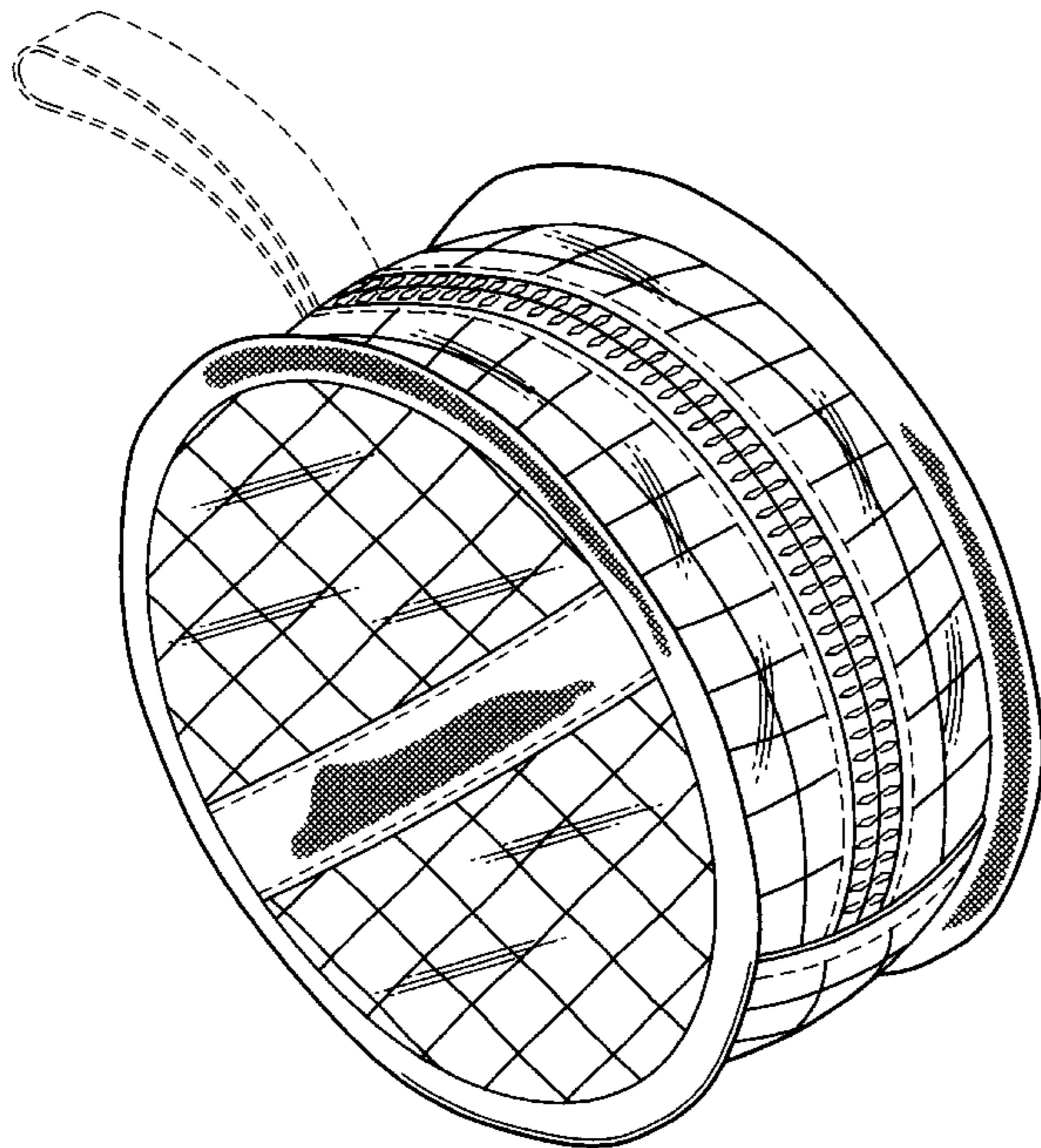
[57] **CLAIM**

I claim the ornamental design for the compact disk case, as shown and described.

DESCRIPTION

FIG. 1 is a perspective view of the compact disk case. FIG. 2 is a top view of the case shown in FIG. 1. FIG. 3 is a bottom view of the case shown in FIG. 1. FIG. 4 is a right side view of the case shown in FIG. 1. FIG. 5 is a left side view of the case shown in FIG. 1. FIG. 6 is a front view of the case in FIG. 1. FIG. 7 is a rear view of the case shown in FIG. 1. FIG. 8 is a perspective view of a second embodiment of the compact disk case. FIG. 9 is a top view of the case shown in FIG. 8. FIG. 10 is a bottom view of the case shown in FIG. 8. FIG. 11 is a right side view of the case shown in FIG. 8. FIG. 12 is a left side view of the case shown in FIG. 8. FIG. 13 is a front view of the case shown in FIG. 8; and, FIG. 14 is a rear view of the case shown in FIG. 8. The broken lines showing a hand loop or portions thereof throughout the views are included for illustrative purposes only and form no part of the claimed design; and the broken lines shown on the surface of the claimed invention throughout the views are understood to represent stitching.

1 Claim, 8 Drawing Sheets



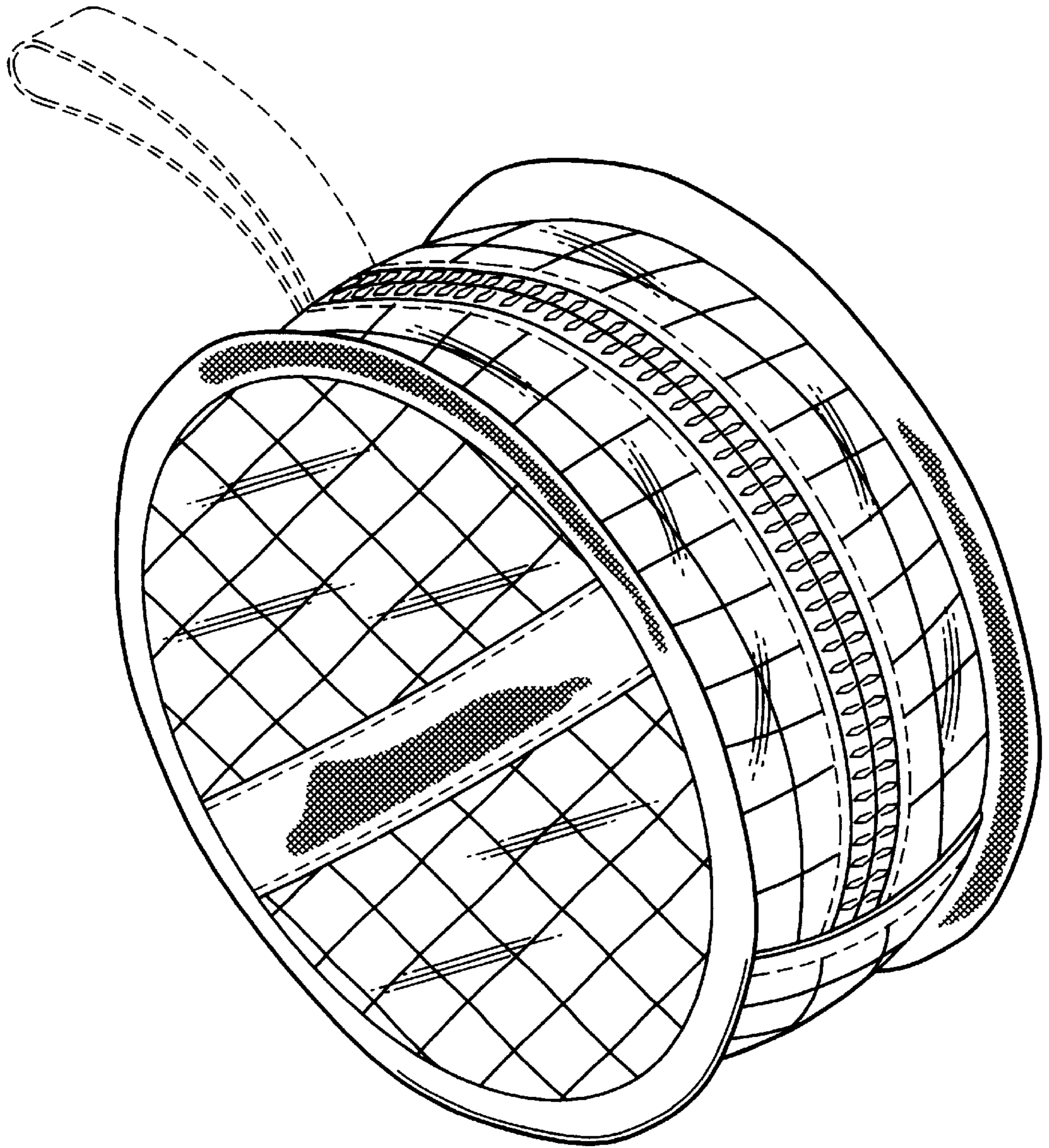


FIG. 1

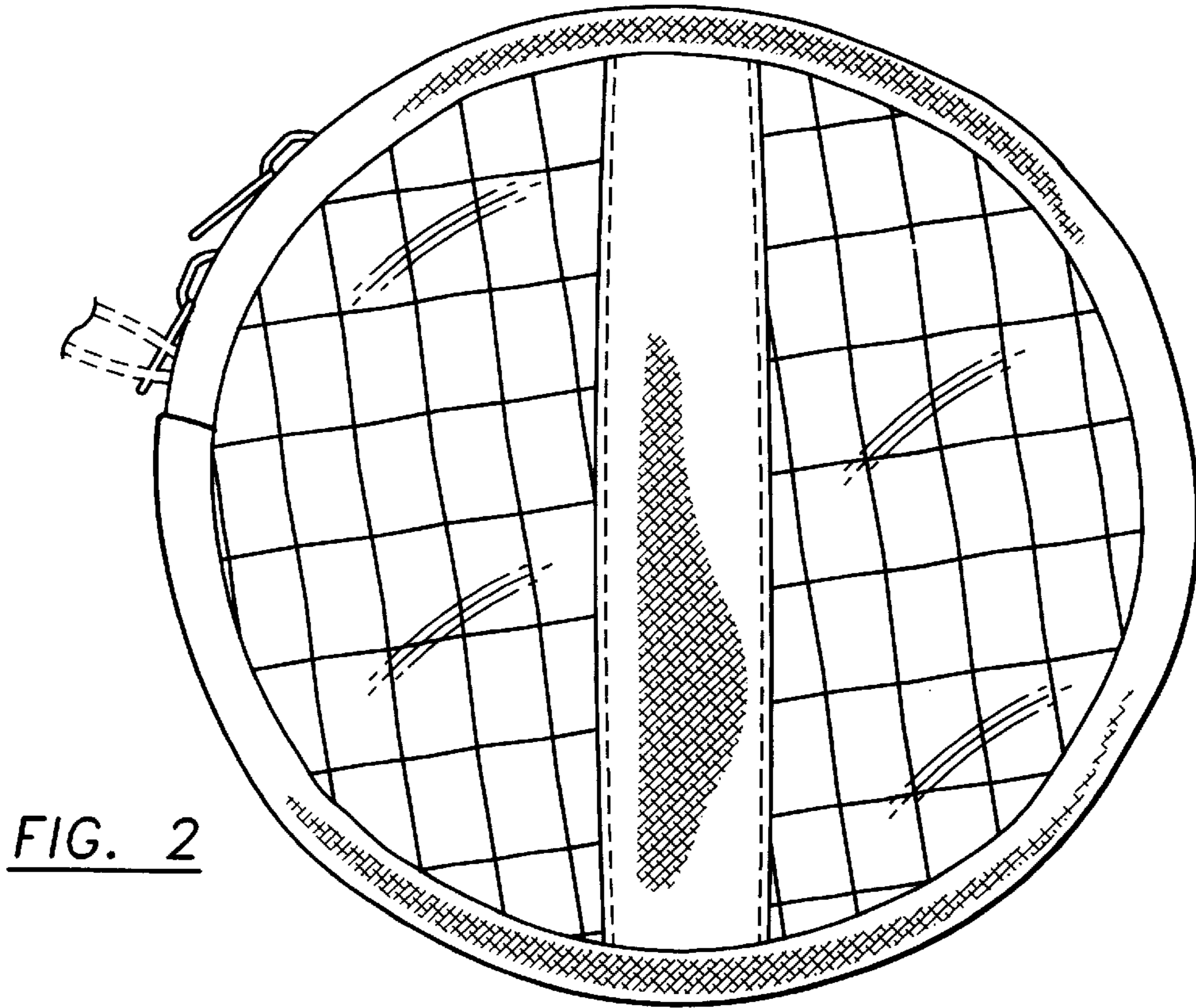


FIG. 2

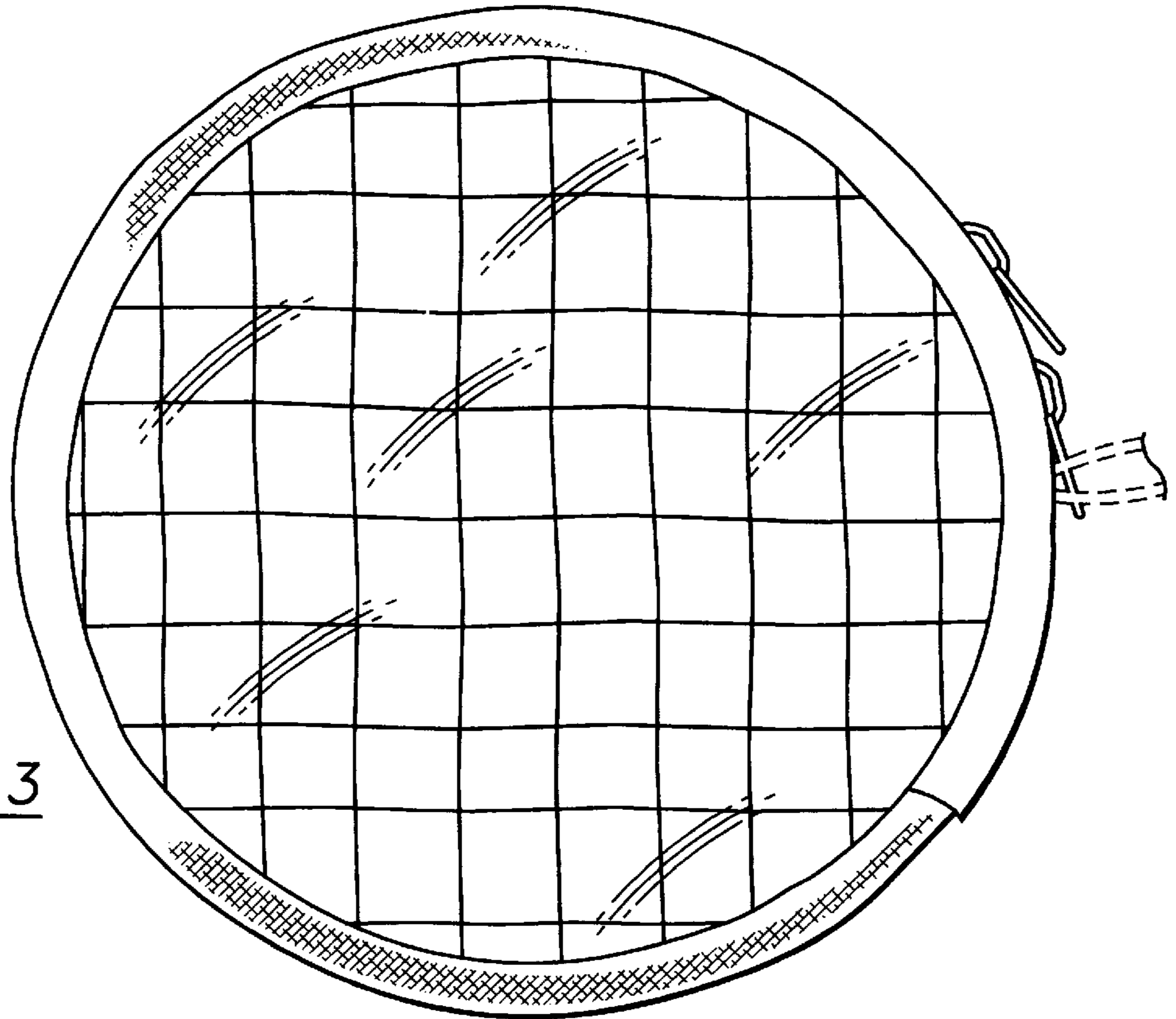


FIG. 3

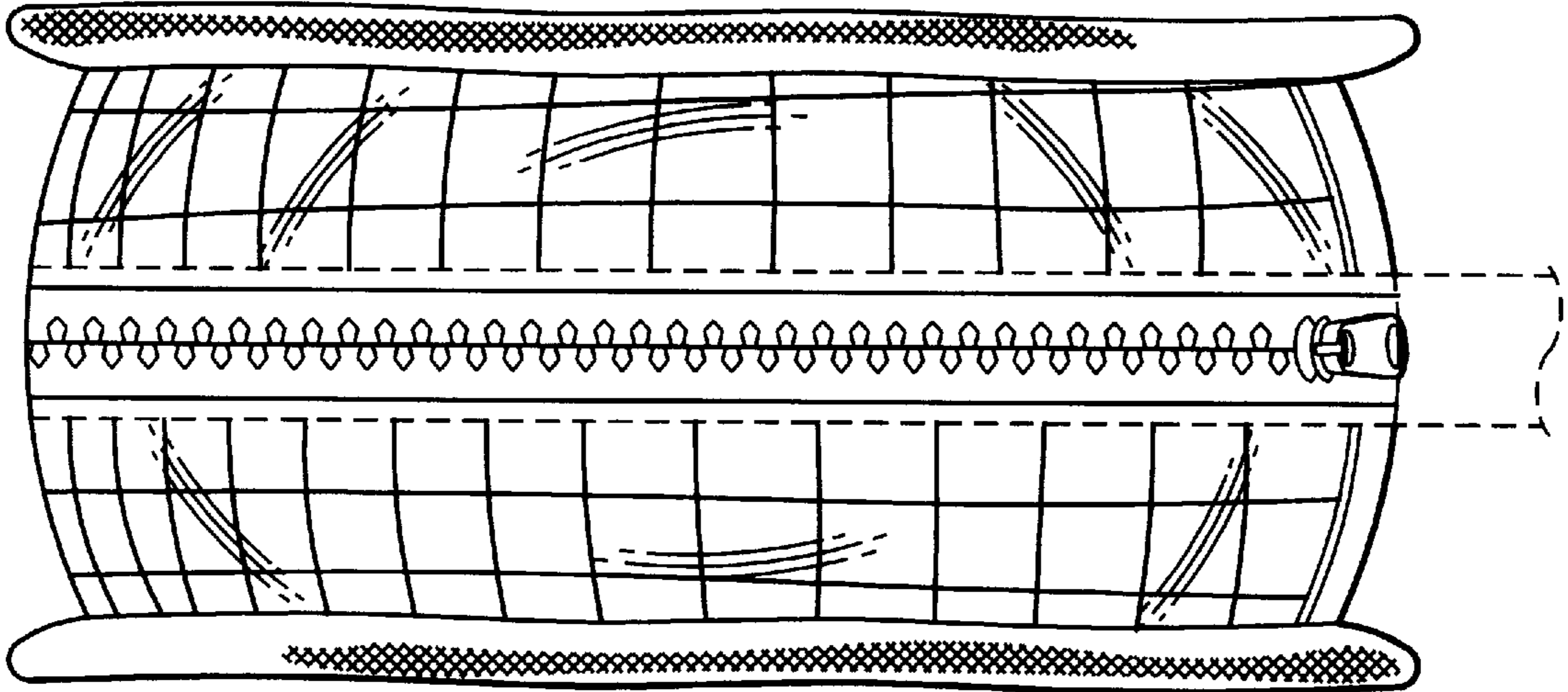


FIG. 4

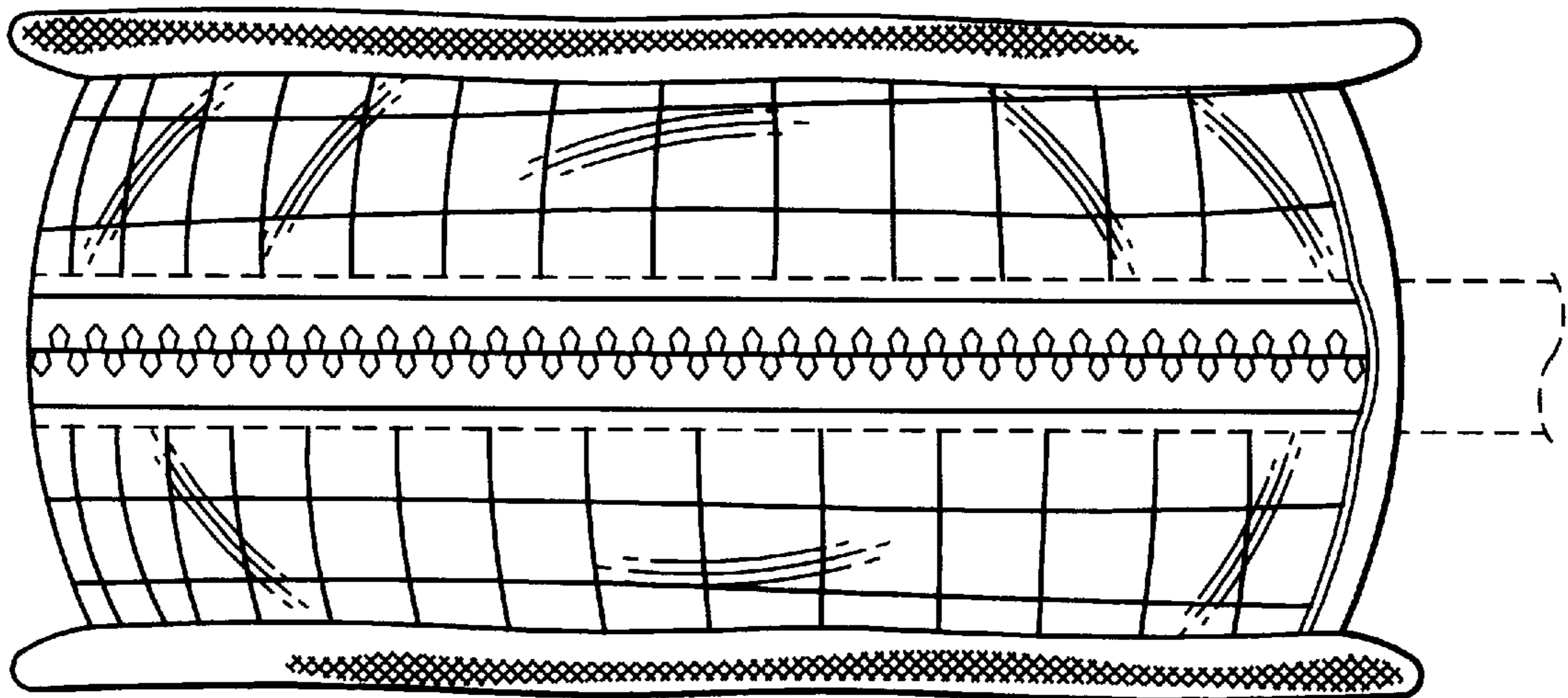


FIG. 5

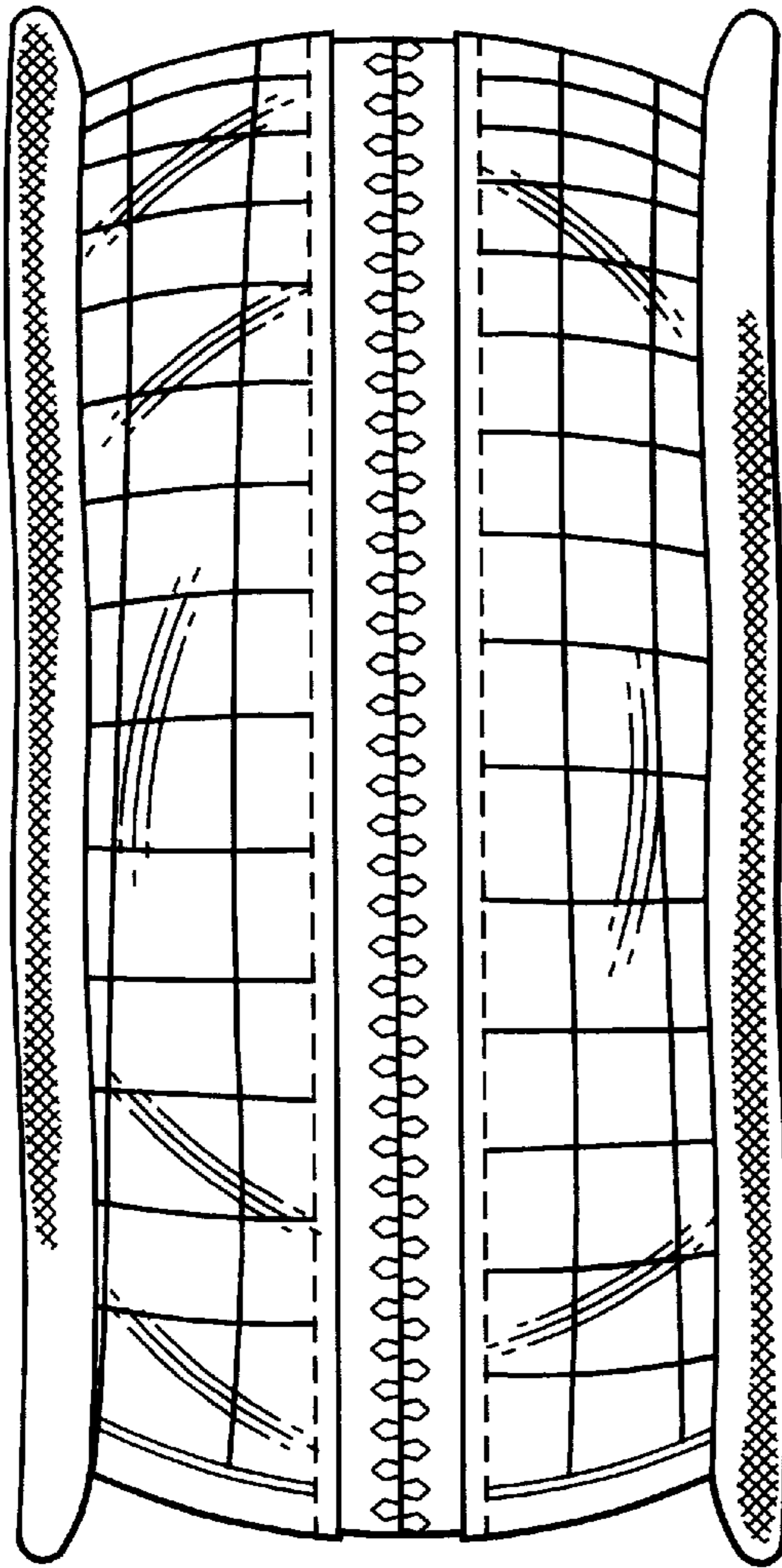


FIG. 6

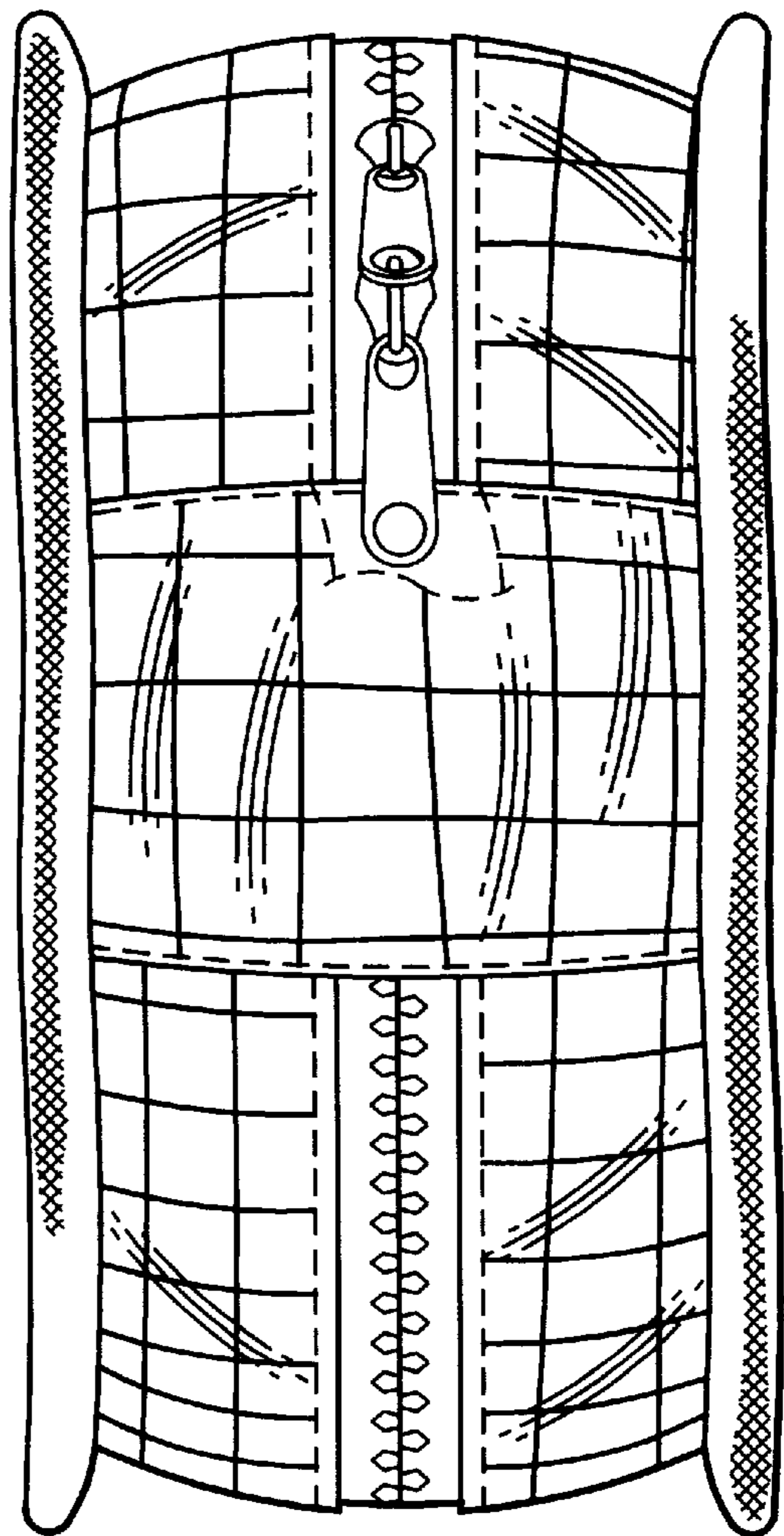


FIG. 7

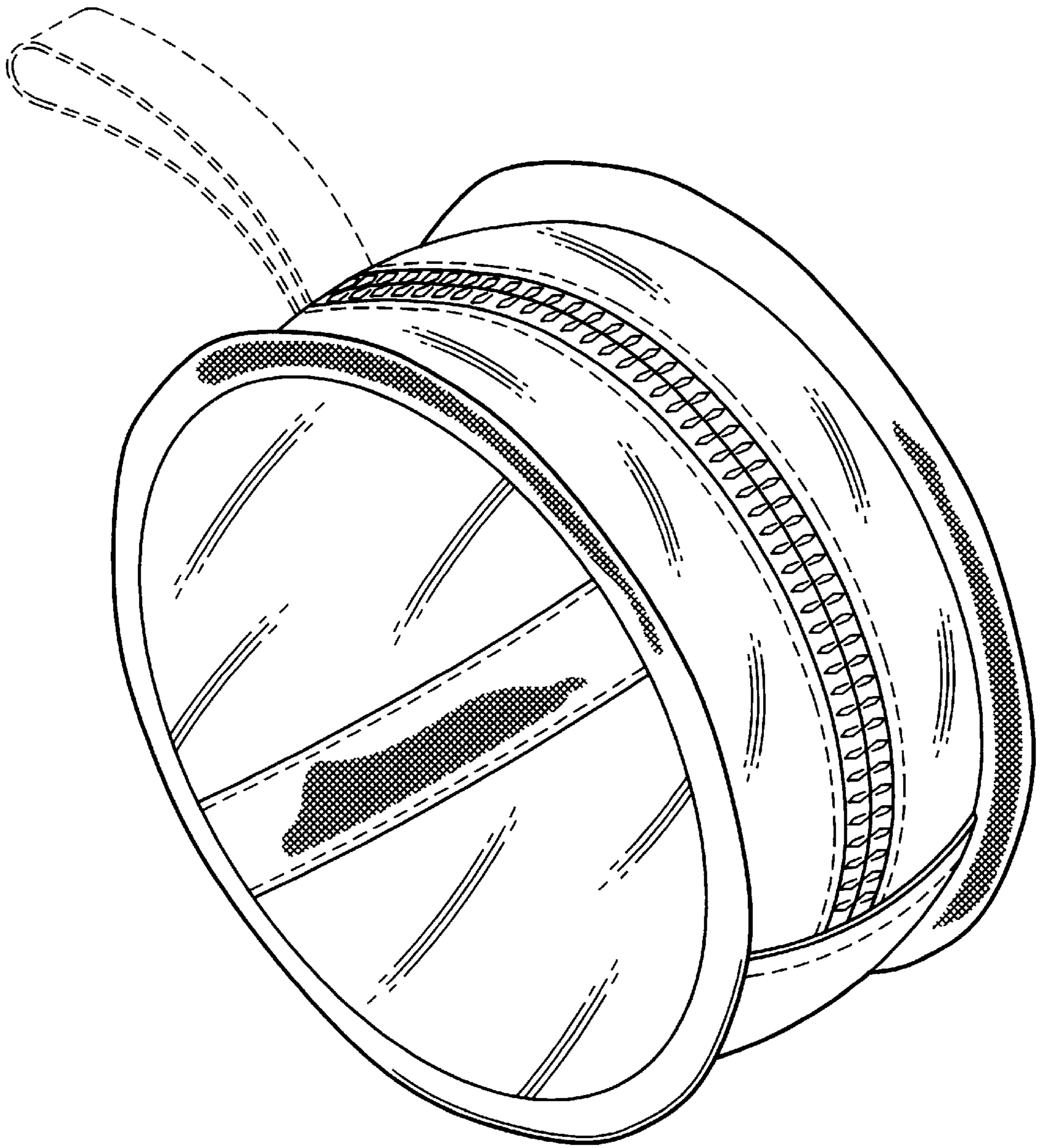


FIG. 8

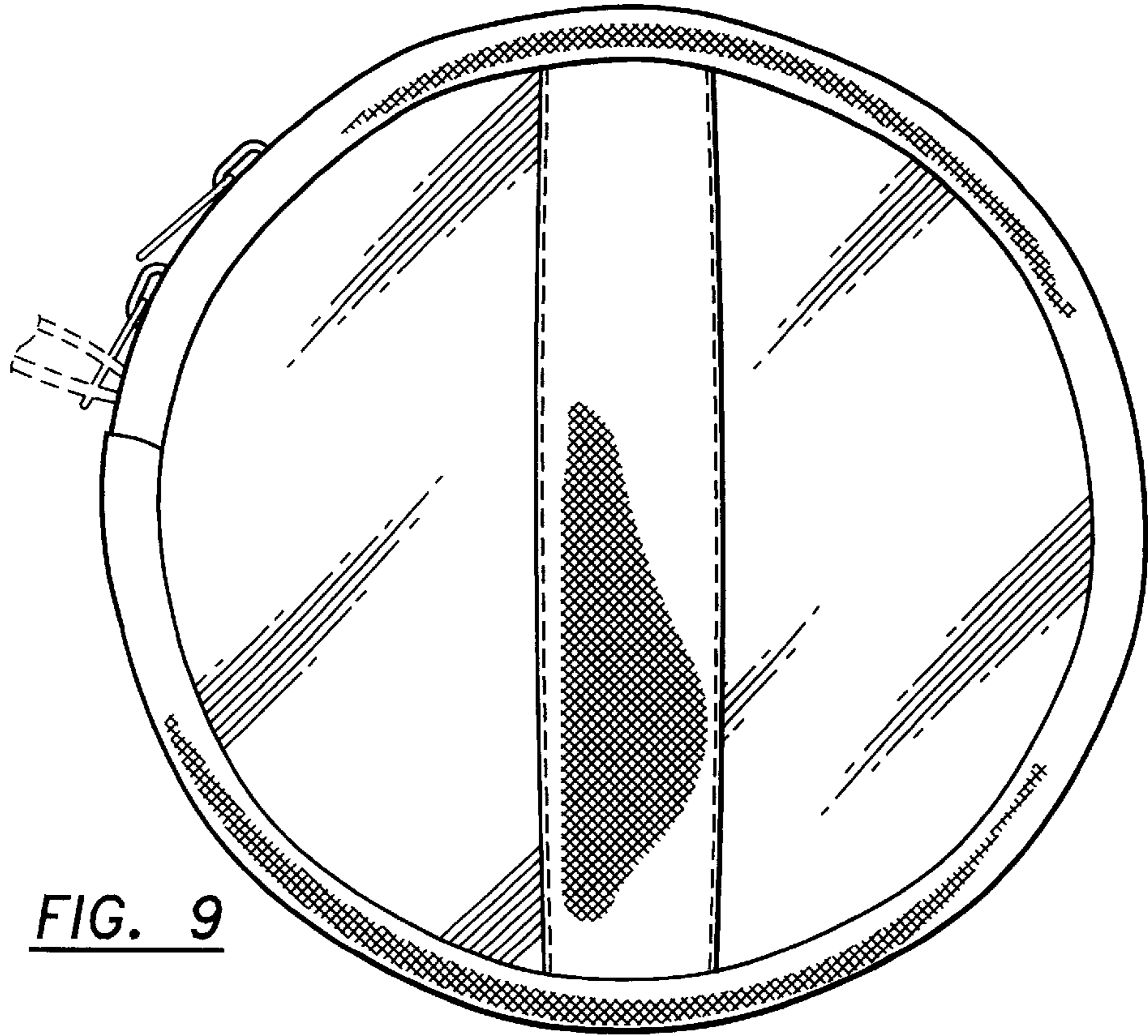


FIG. 9

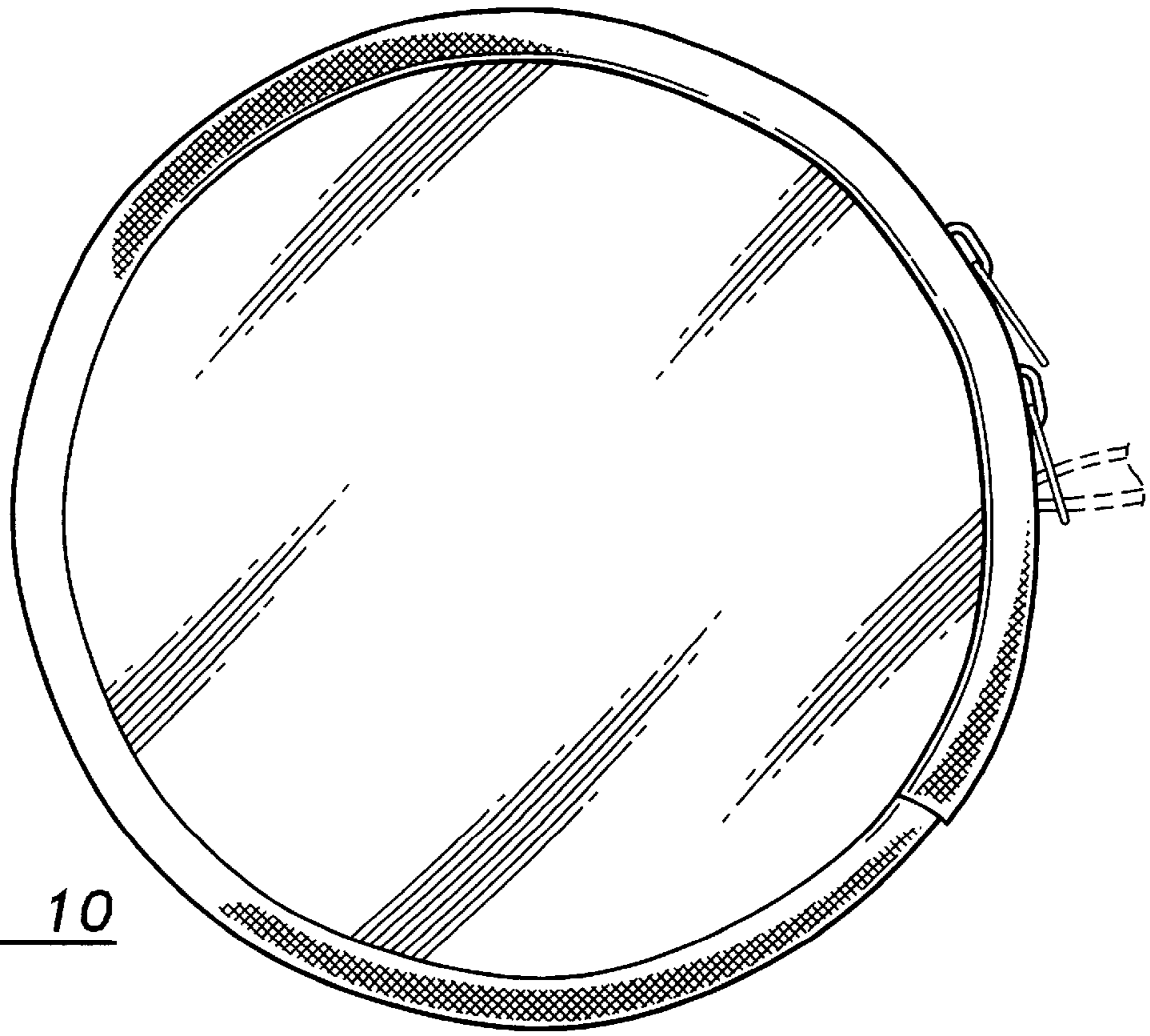


FIG. 10

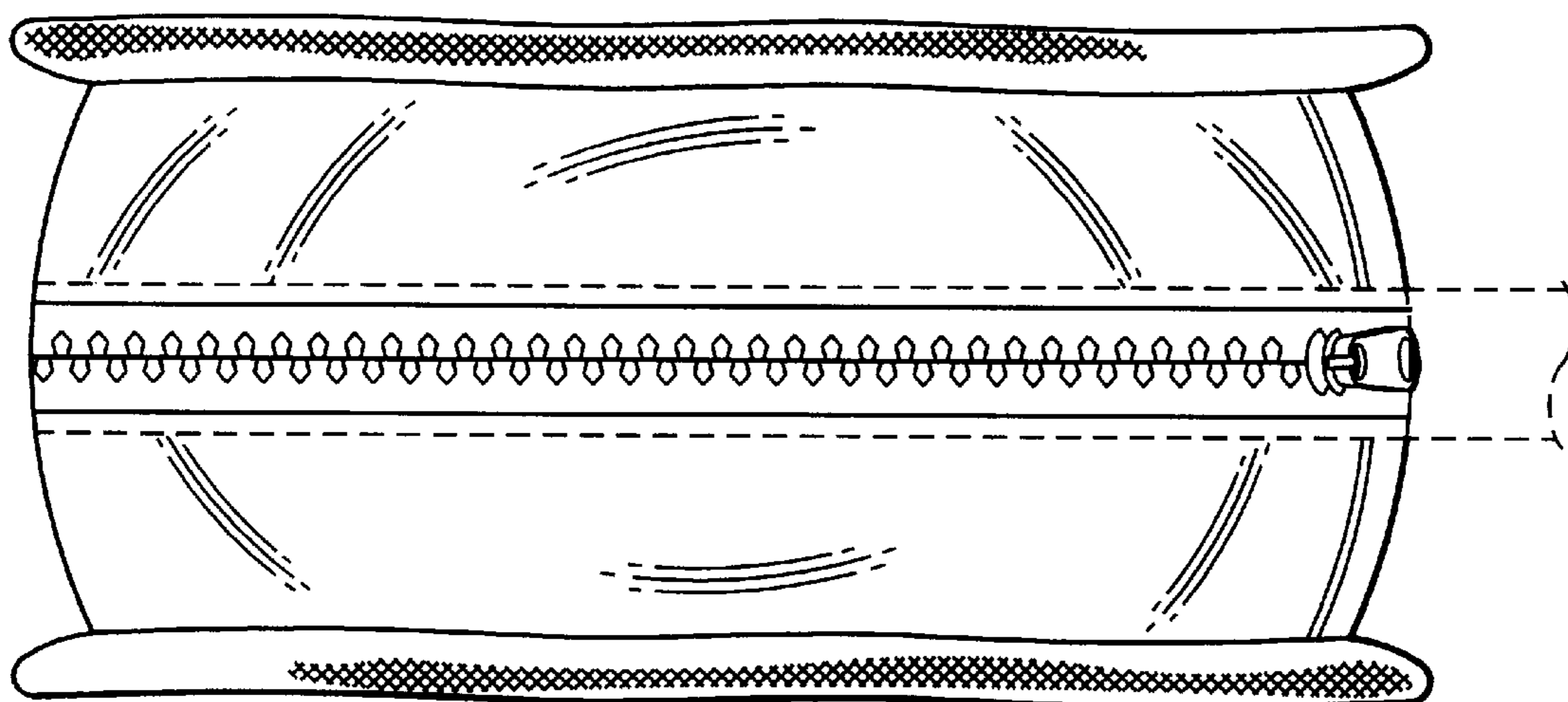


FIG. 11

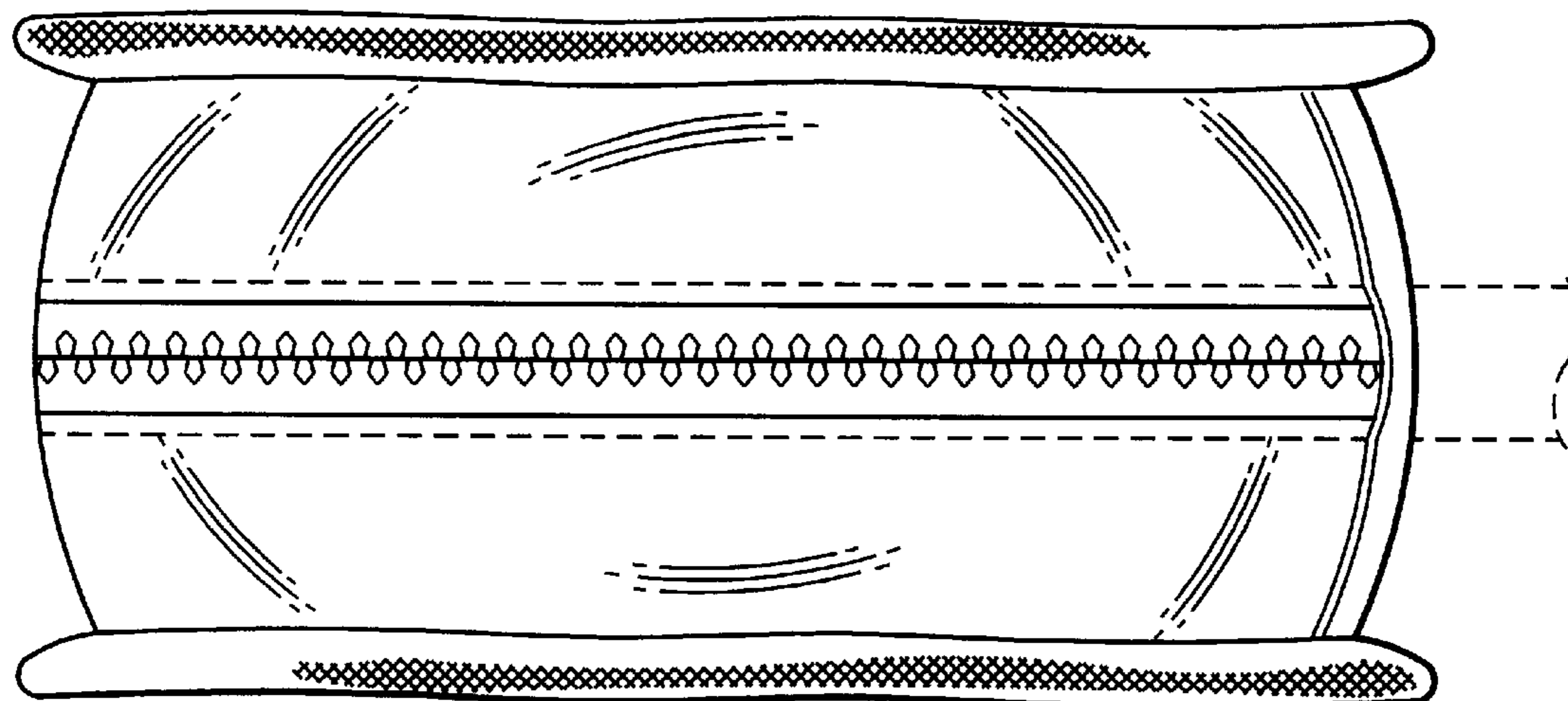


FIG. 12

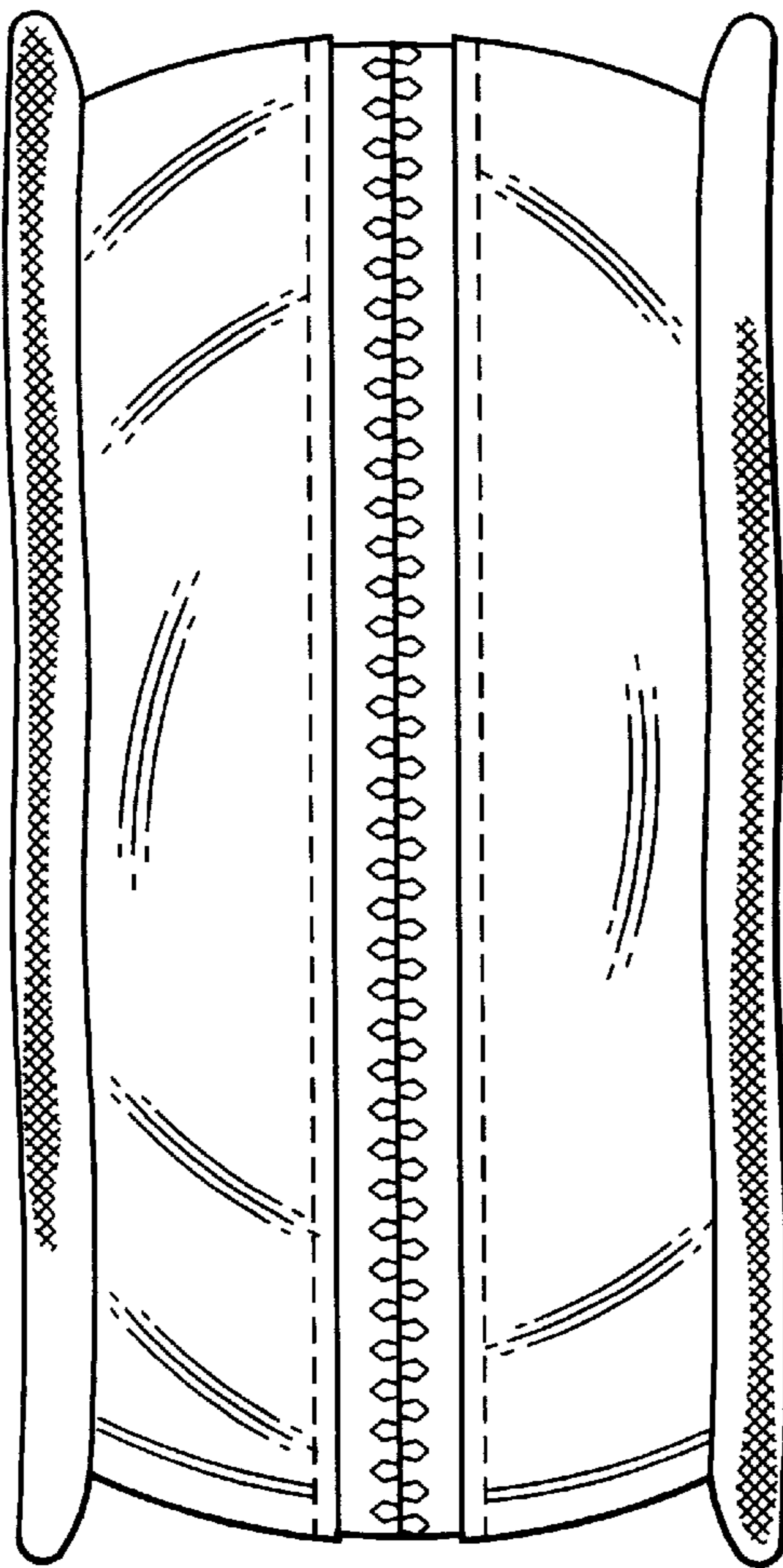


FIG. 13

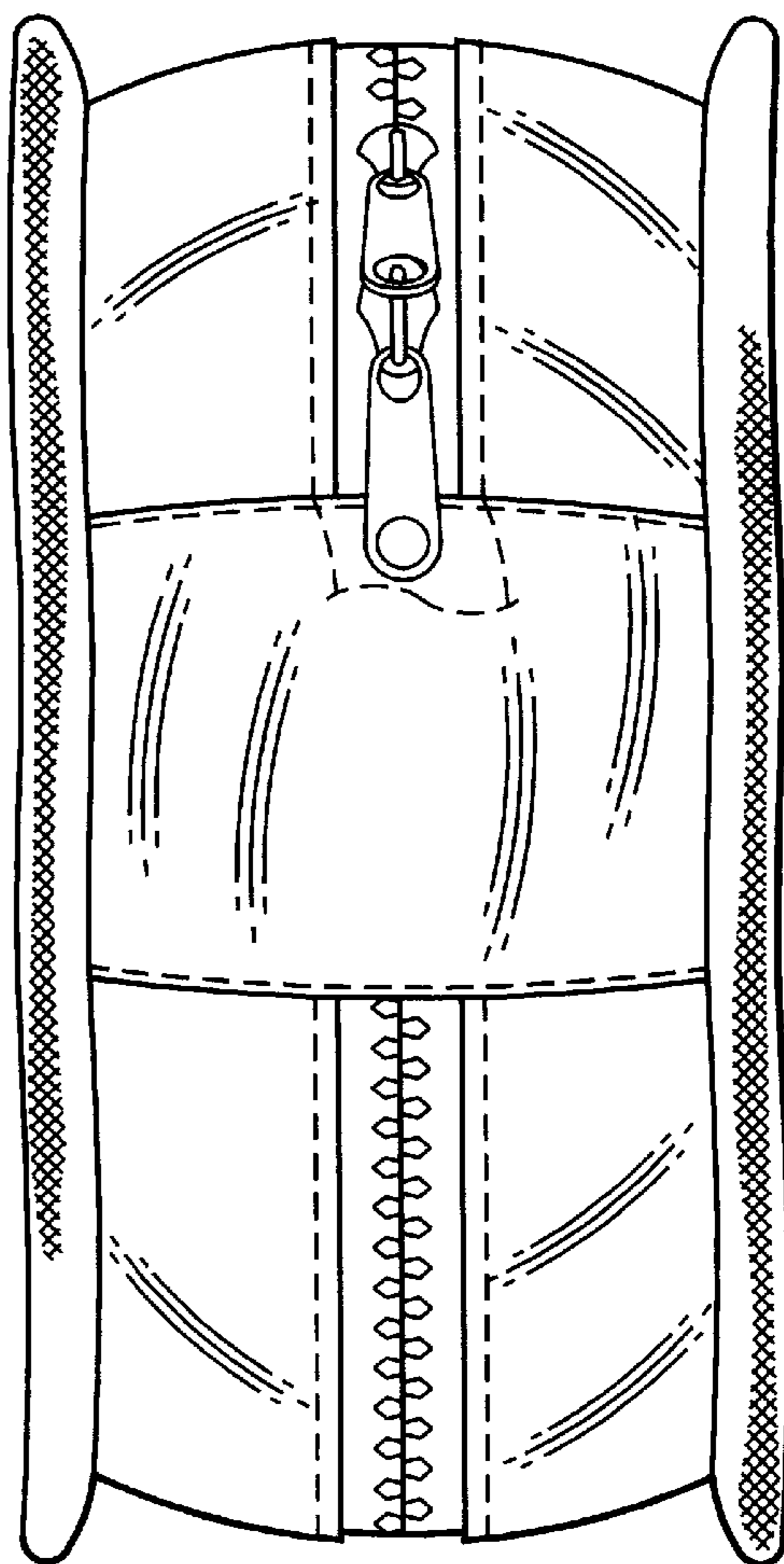


FIG. 14