



US00D432341S

**United States Patent** [19]  
**Shimbo et al.**

[11] **Patent Number: Des. 432,341**  
[45] **Date of Patent: \*\* Oct. 24, 2000**

[54] **DISPENSER FOR PLATE GUMS OR THE LIKE**

[75] Inventors: **Masao Shimbo; Shoji Kobayashi**, both of Kashiwazaki, Japan

[73] Assignee: **Bourbon Corporation**, Kashiwazaki, Japan

[\*\*] Term: **14 Years**

[21] Appl. No.: **29/120,410**

[22] Filed: **Mar. 16, 2000**

**Related U.S. Application Data**

[62] Division of application No. 29/103,924, Apr. 26, 1999.

[51] **LOC (7) Cl.** ..... **20-02**

[52] **U.S. Cl.** ..... **D6/515**

[58] **Field of Search** ..... D6/515, 517; D3/201; 206/38, 37, 39, 39.4, 449, 800; D9/414, 418, 499

[56] **References Cited**

**U.S. PATENT DOCUMENTS**

- D. 331,074 11/1992 Dotterman et al. .... D6/515 X
- D. 332,347 1/1993 Raadt et al. .... D9/414 X
- D. 339,943 10/1993 Romme et al. .... D6/515
- D. 403,188 12/1998 Kansco ..... D6/515
- D. 415,424 10/1999 Hill ..... D6/515 X
- 1,155,791 10/1915 Cabell ..... 206/37

- 2,197,219 4/1940 Groshong ..... 206/37 X
- 4,170,914 10/1979 Carrier .
- 4,465,208 8/1984 Buban et al. .
- 5,353,956 10/1994 Wilson .
- 5,370,219 12/1994 Violett, Jr. .... 206/37 X
- 5,649,642 7/1997 Mabry et al. .

**FOREIGN PATENT DOCUMENTS**

- 741062 2/1995 Japan .
- 8282748 10/1996 Japan .

*Primary Examiner*—Brian N. Vinson  
*Attorney, Agent, or Firm*—Birch, Stewart, Kolasch & Birch, LLP

[57] **CLAIM**

The ornamental design for a dispenser for plate gums or the like, as shown and described.

**DESCRIPTION**

FIG. 1 is a front perspective view of a dispenser for plate gums or the like showing our new design; FIG. 2 is a left-side elevational view, the right side being a mirror image thereof; FIG. 3 is a front-end elevational view thereof; FIG. 4 is a rear-end elevational view thereof; FIG. 5 is a top plan view thereof; FIG. 6 is a bottom view thereof; and, FIG. 7 is a reference view showing the state wherein a sheet of paper board is drawn in the same dimensions as a real dispenser with lines for folding the sheet.

**1 Claim, 3 Drawing Sheets**

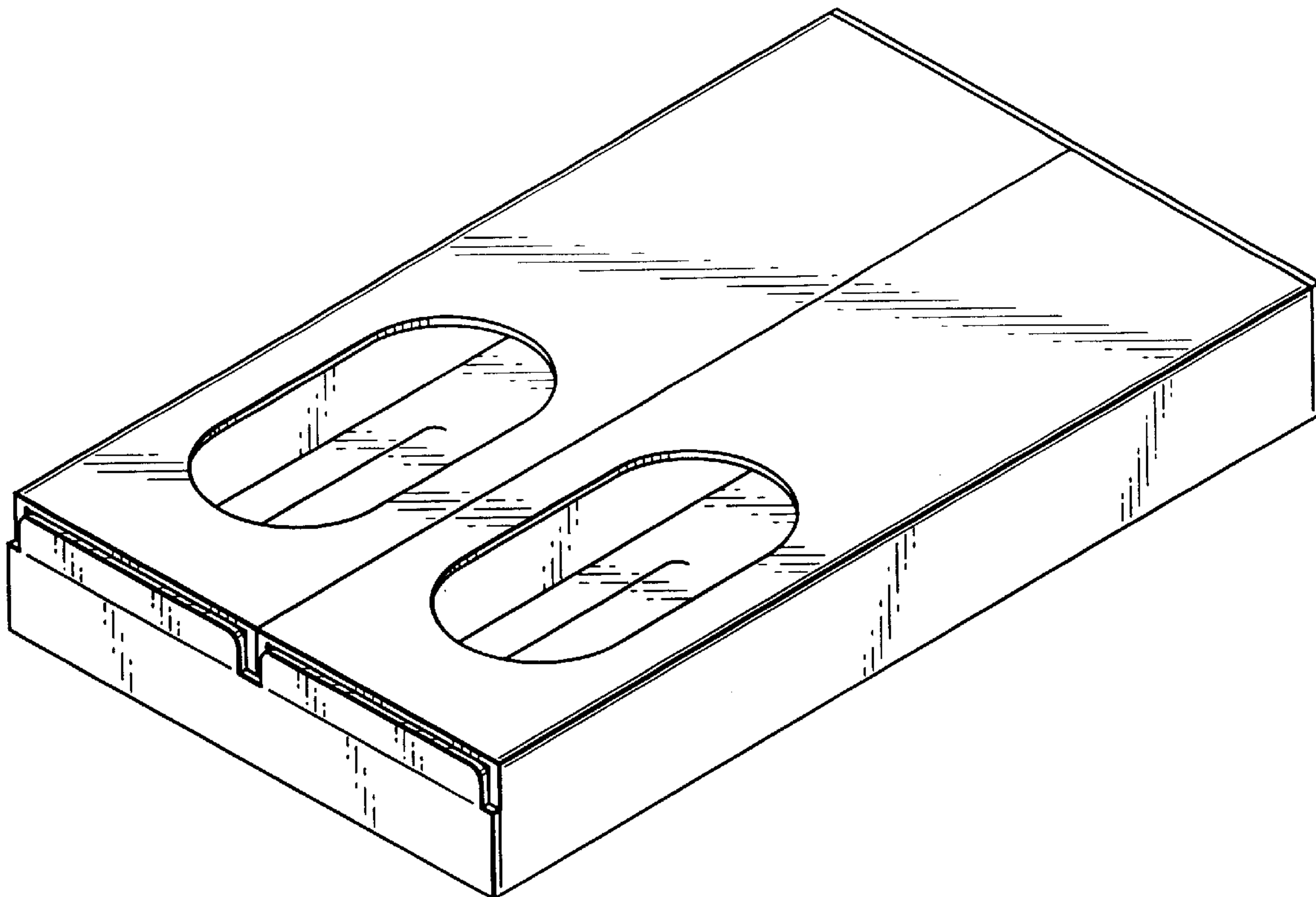


Fig. 1

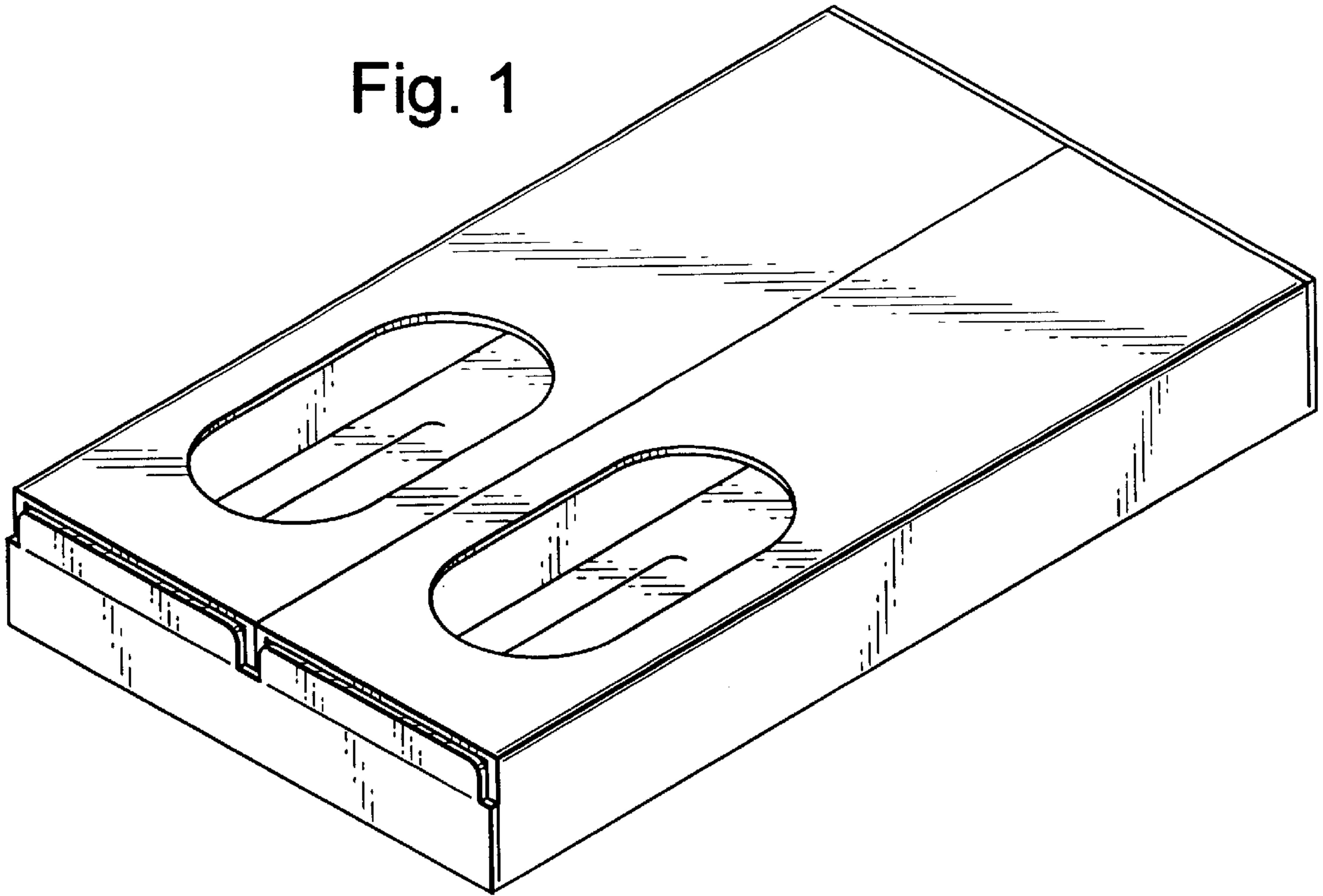


Fig. 2



Fig. 3

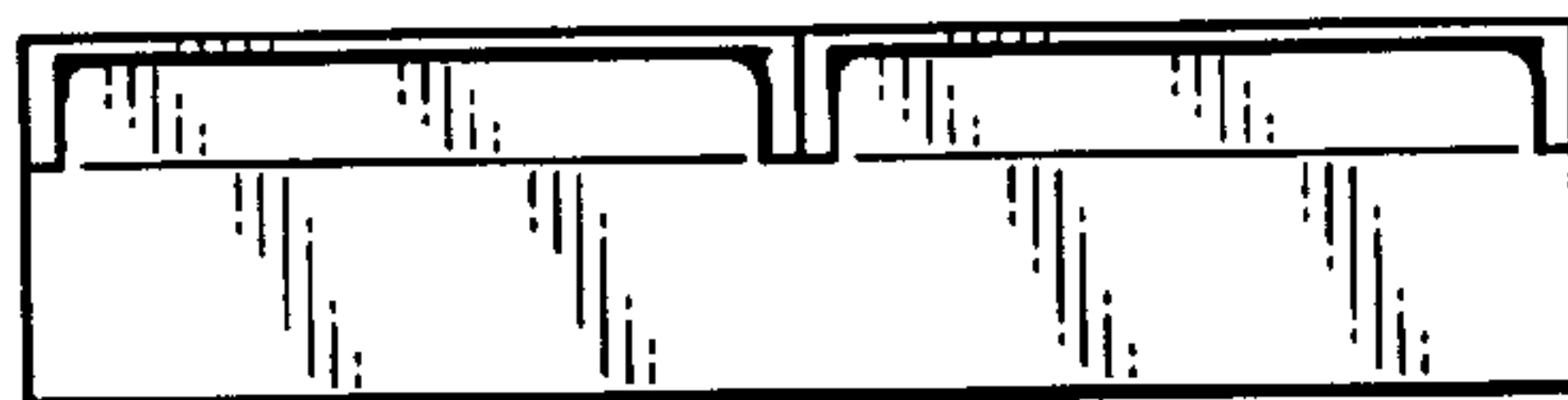


Fig. 4

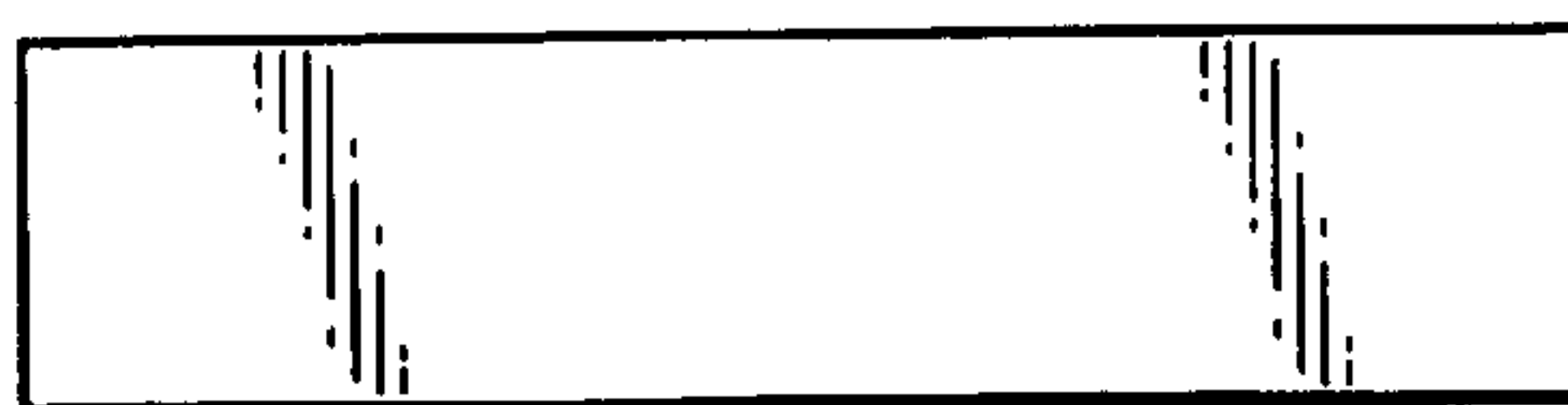


Fig. 5

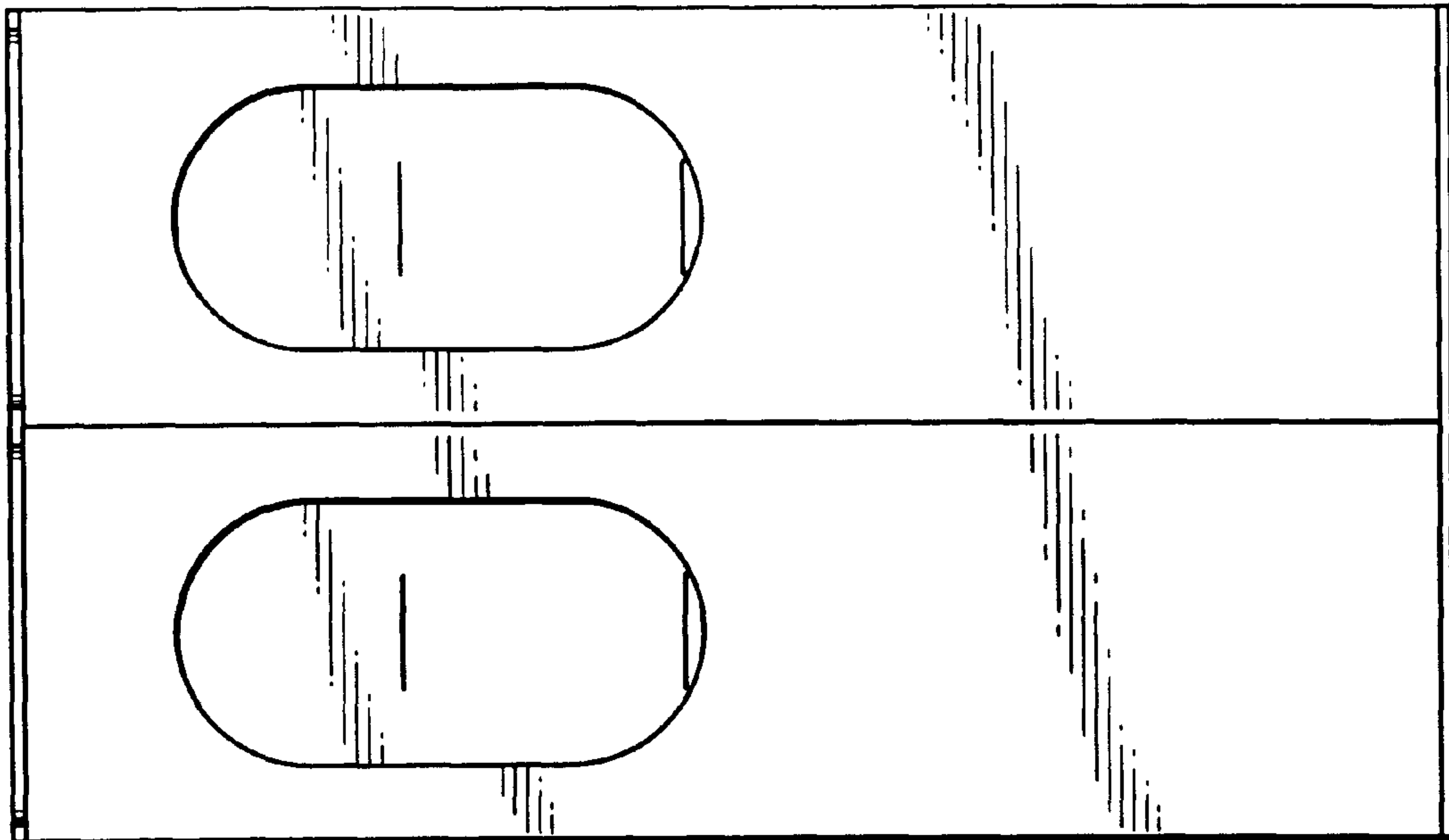


Fig. 6

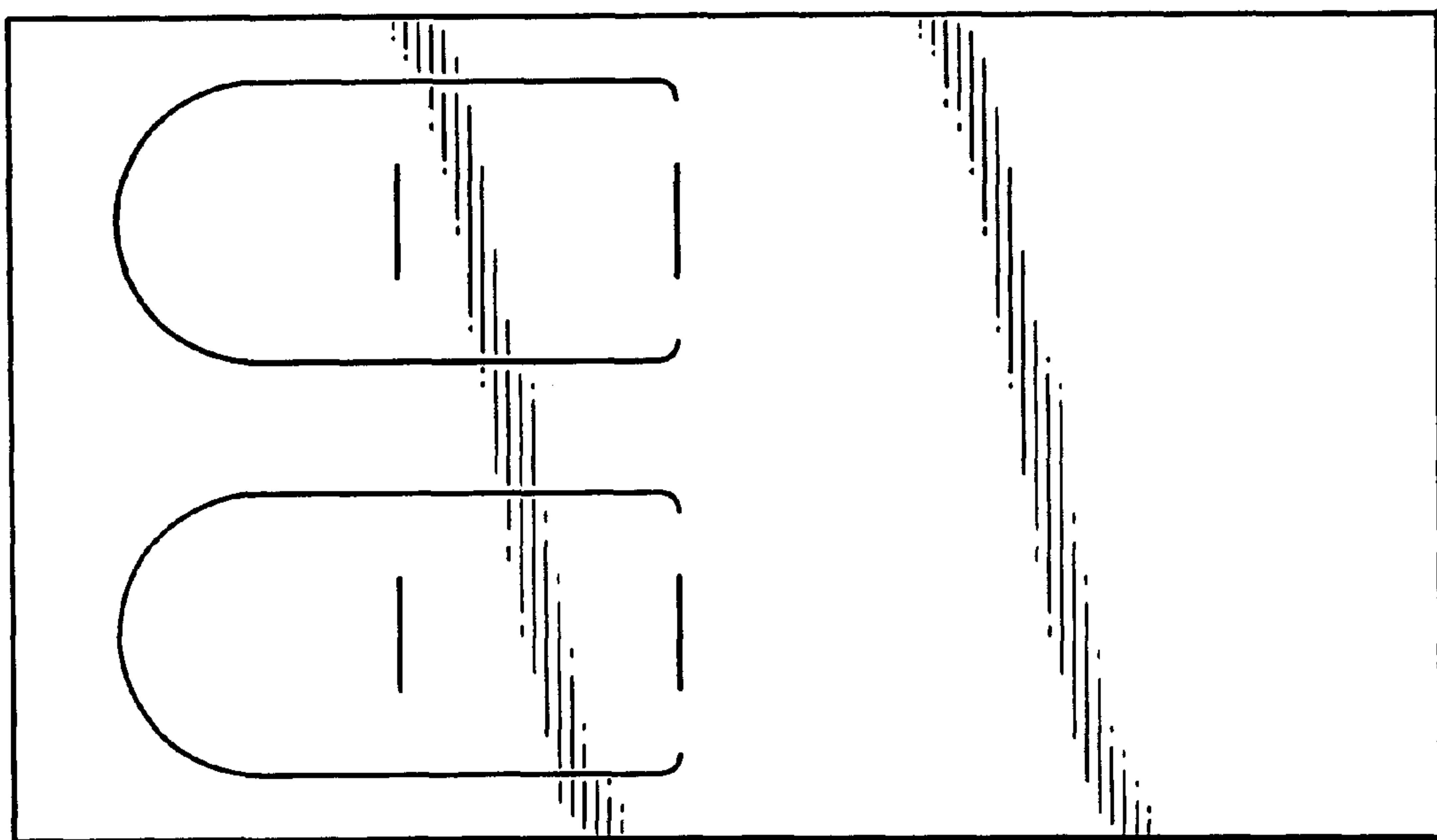


Fig. 7

