



US00D432338S

United States Patent [19] Matern

[11] Patent Number: Des. 432,338

[45] Date of Patent: ** Oct. 24, 2000

[54] CHAIR CONTROL MECHANISM

[75] Inventor: Gerard Matern, Waterloo, Canada

[73] Assignee: Northfield Metal Products Limited,
Waterloo, Canada

[**] Term: 14 Years

[21] Appl. No.: 29/113,921

[22] Filed: Nov. 12, 1999

[51] LOC (7) Cl. 06-06

[52] U.S. Cl. D6/500

[58] Field of Search D6/364, 365, 366,
D6/367, 500, 501, 502; 297/344.18, 344.19,
344.21

[56] References Cited

U.S. PATENT DOCUMENTS

D. 247,943	5/1978	Doerner	D6/500
D. 252,661	8/1979	Bowman	D6/500
D. 292,459	10/1987	Doerner	D6/500
D. 378,480	3/1997	Doerner	D6/500

OTHER PUBLICATIONS

Northfield Metal Products Limited, "Chair Controls, Bases and Components", undated, cover page, pp. 89-90.

Primary Examiner—Gary D. Watson
Attorney, Agent, or Firm—Shook, Hardy & Bacon L.L.P.

[57] CLAIM

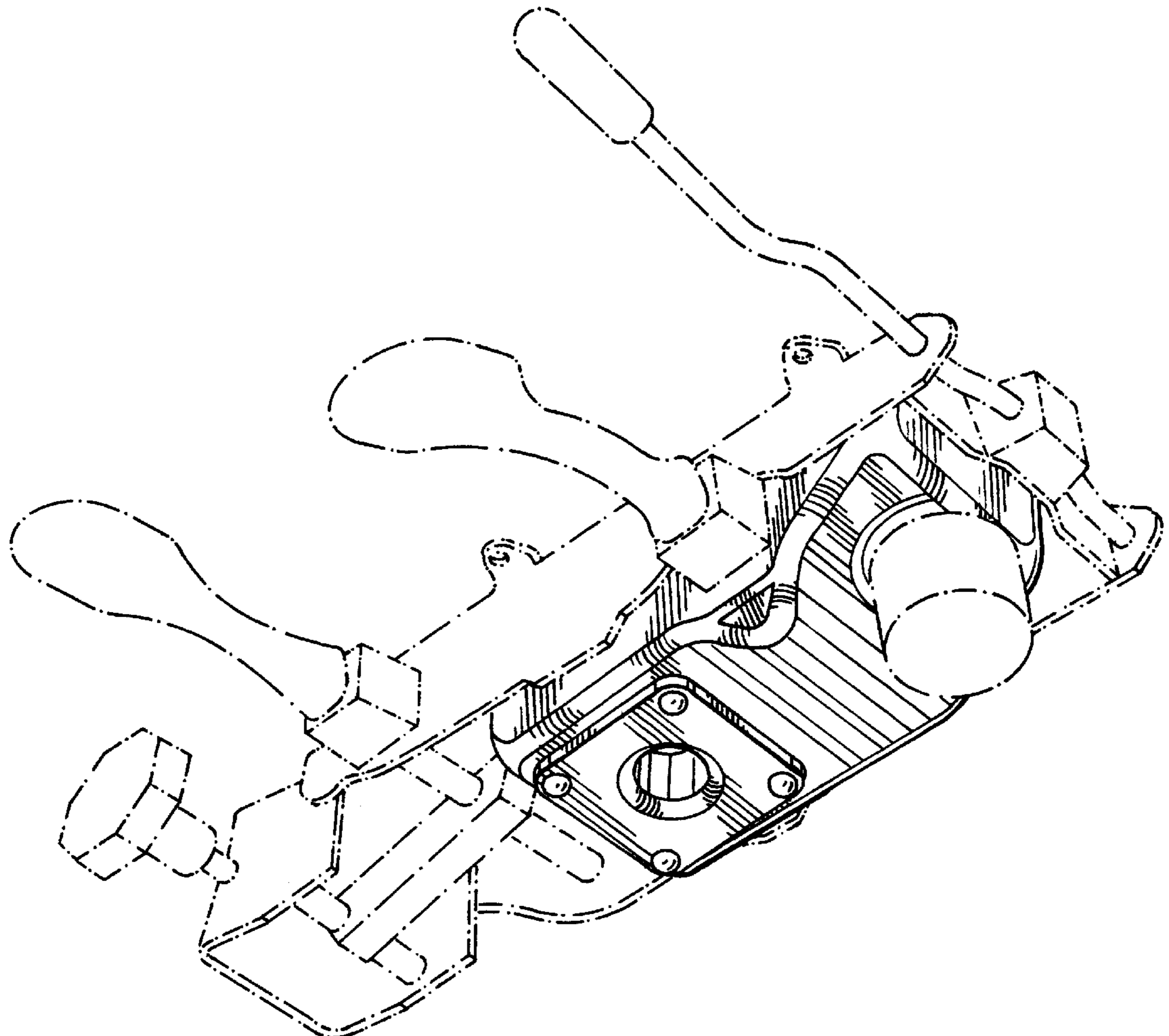
The ornamental design of a chair control mechanism, as shown and described.

DESCRIPTION

FIG. 1 is an underside perspective view of a chair control mechanism illustrating my design, FIG. 2 is a right side view thereof, FIG. 3 is a back view thereof, FIG. 4 is left side view thereof, FIG. 5 is a front view thereof; and, FIG. 6 is a bottom view thereof.

The portions of the figures shown in dashed lines do not form part of the design.

1 Claim, 4 Drawing Sheets



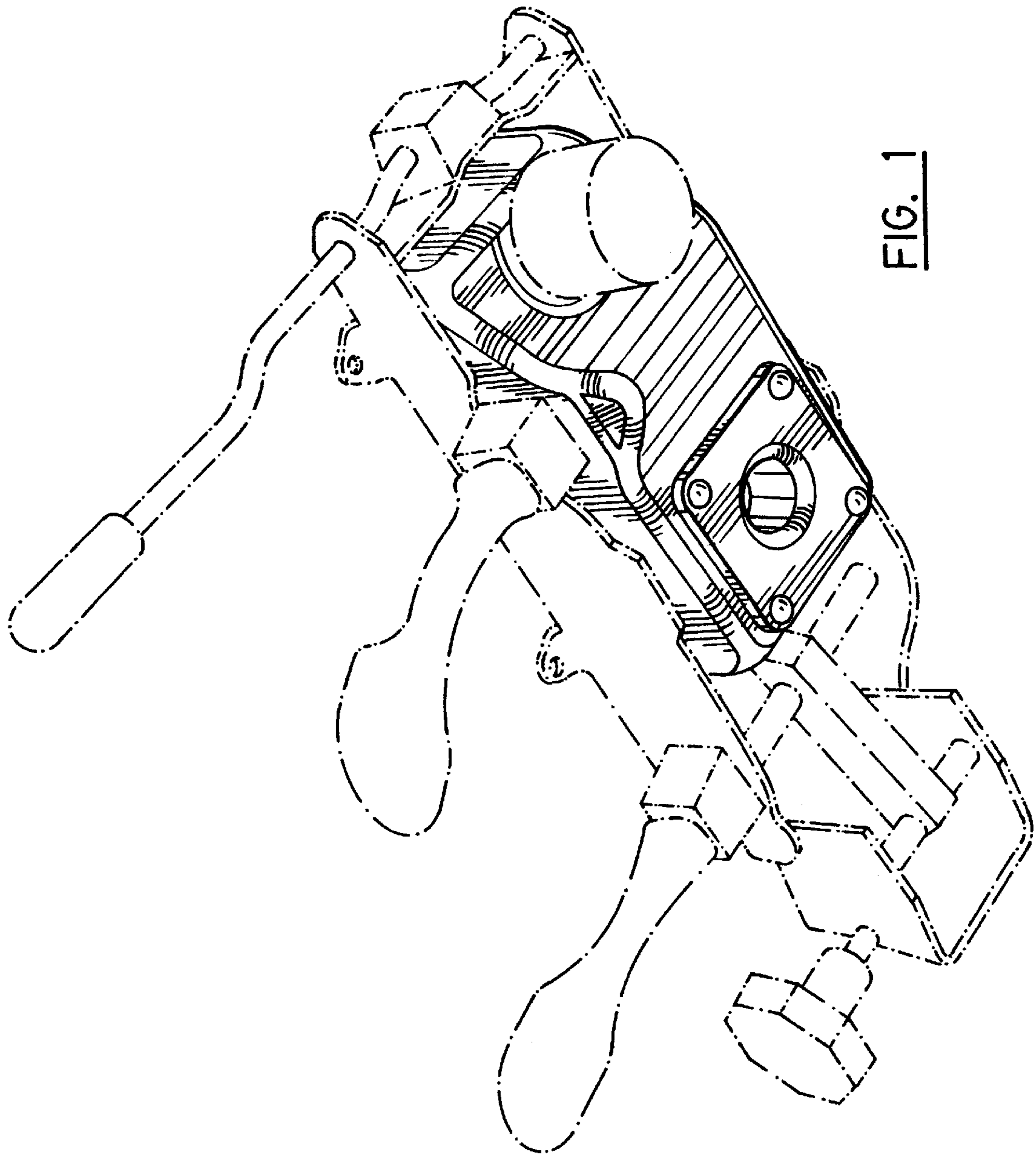


FIG. 1

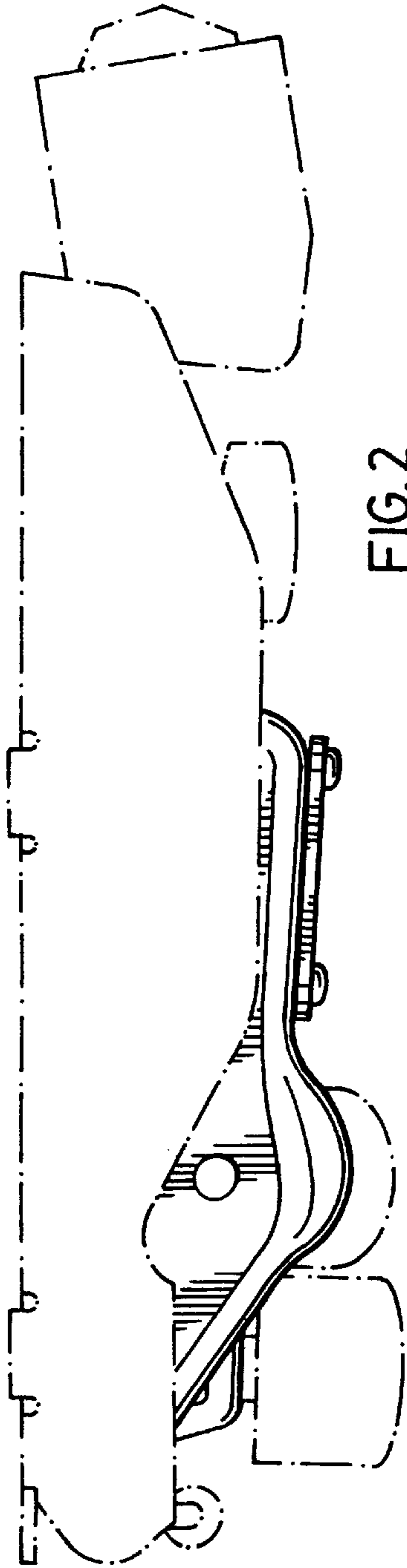


FIG. 2

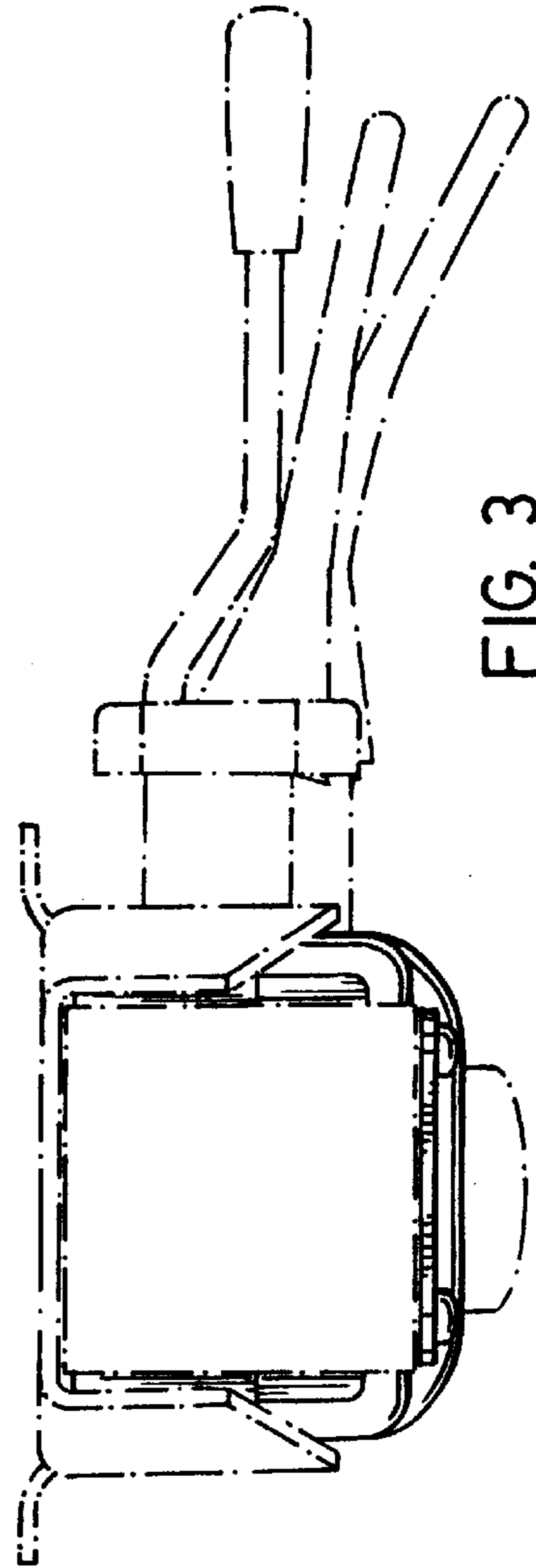


FIG. 3

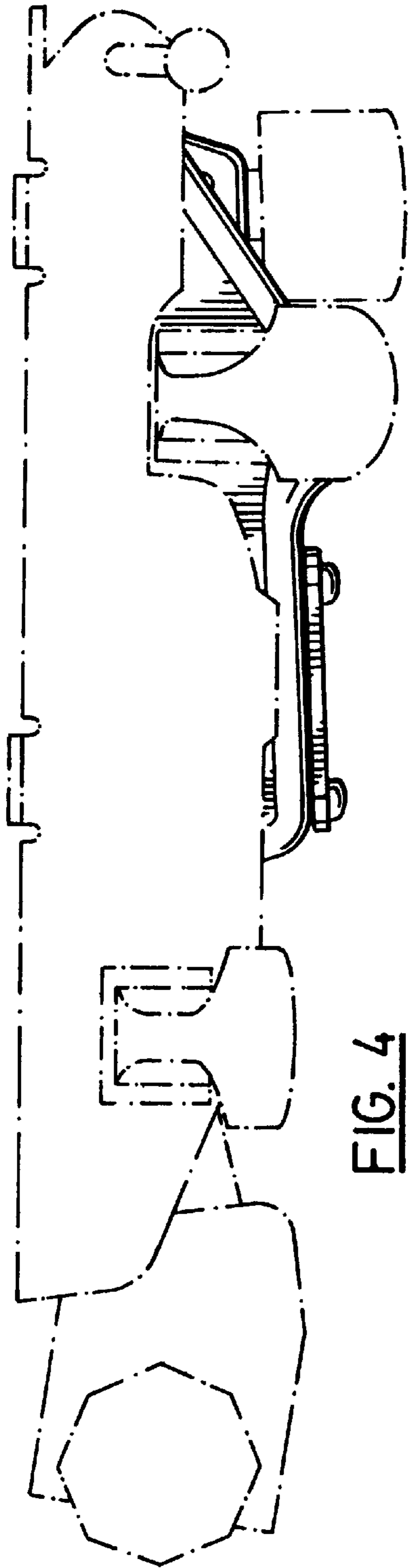


FIG. 4

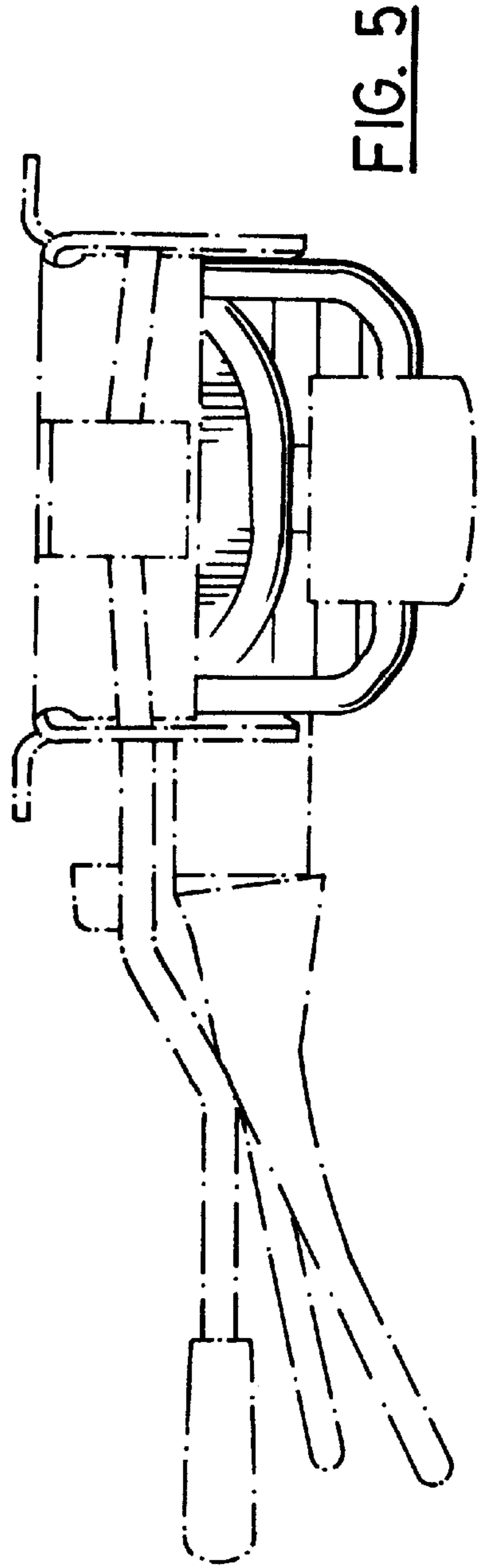


FIG. 5

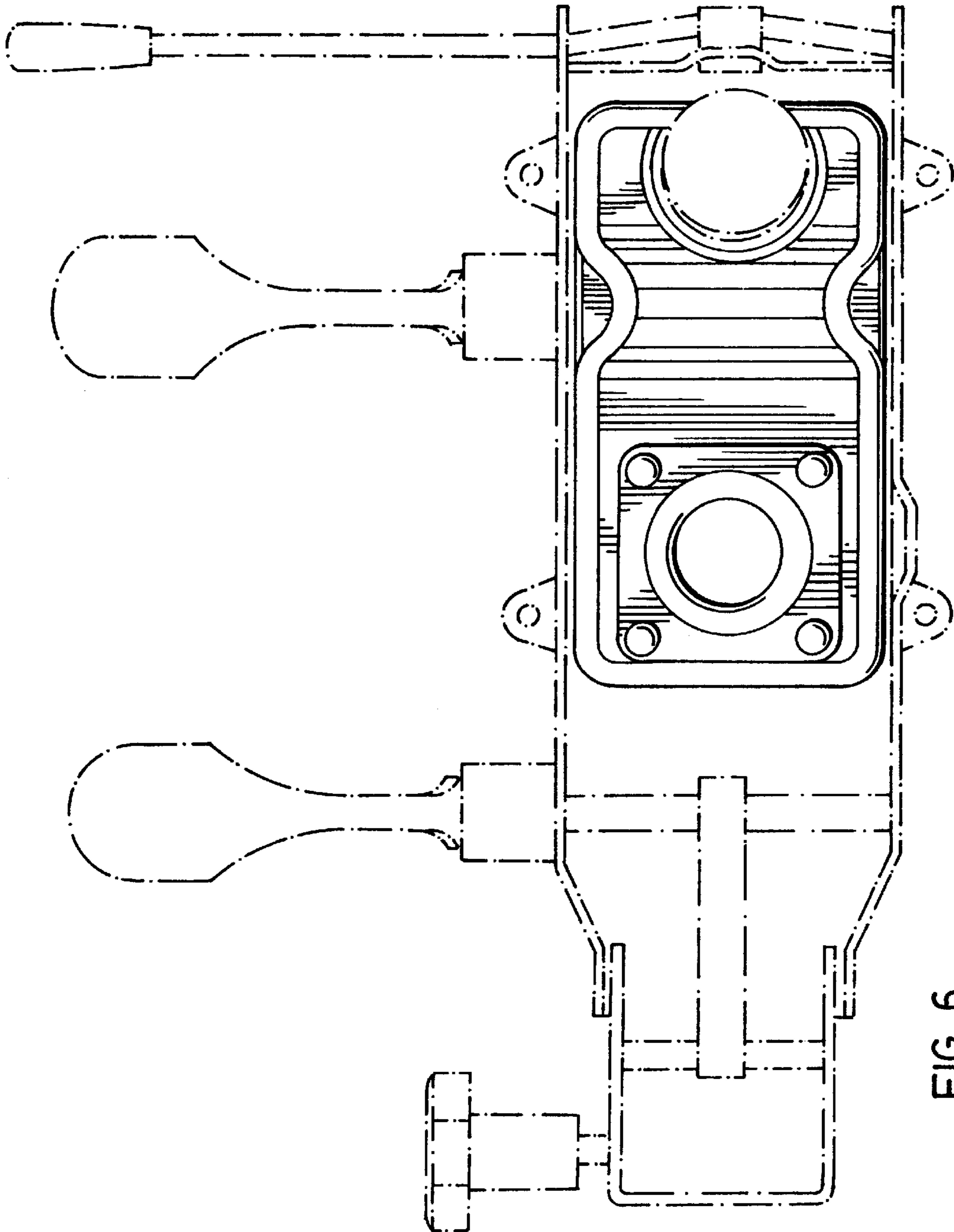


FIG. 6