



US00D432337S

# United States Patent [19] Gebhardt

[11] **Patent Number: Des. 432,337**

[45] **Date of Patent: \*\* Oct. 24, 2000**

[54] **CHAIR PAD**

[75] Inventor: **Roland Gebhardt**, New York, N.Y.

[73] Assignee: **Roland Gebhardt Design**, New York, N.Y.

[\*\*] Term: **14 Years**

[21] Appl. No.: **29/111,419**

[22] Filed: **Sep. 27, 1999**

[51] **LOC (7) Cl. .... 06-06**

[52] **U.S. Cl. .... D6/500; D6/502**

[58] **Field of Search** ..... D6/334, 374, 379, D6/380, 595, 596, 500, 501, 502, 601; D21/386, 390; D24/194; 297/452.46, 452.48, 463.1, 488, DIG. 1, DIG. 2; D8/382, 388; D11/220; 411/500, 504; 24/453, 588

[56] **References Cited**

**U.S. PATENT DOCUMENTS**

D. 298,736	11/1988	Shiraishi	.....	D8/382
D. 298,801	12/1988	Satoh	.....	D8/382
D. 327,127	6/1992	Tieken	.....	D24/194
D. 336,203	6/1993	Lin	.....	D6/601
D. 337,213	7/1993	Phenlan, Jr.	.....	D6/379
D. 339,521	9/1993	Bartlett et al.	.....	D8/382
D. 416,189	11/1999	Bollman	.....	D8/382
3,679,263	7/1972	Cadiou	.....	297/DIG. 1
4,338,755	7/1982	Chichester, Jr.	.....	D8/382
4,529,248	7/1985	Trotman et al.	.....	297/DIG. 1

**OTHER PUBLICATIONS**

Chair pad at bottom, no page #, Domus magazine, Oct. 1977.

*Primary Examiner*—Doris V. Coles  
*Assistant Examiner*—Mimosa De

*Attorney, Agent, or Firm*—Gottlieb, Rackman & Reisman, P.C.

[57] **CLAIM**

The ornamental design for a chair pad, as shown and described.

**DESCRIPTION**

FIG. 1 is a perspective view of a chair pad shown in association with a chair and an arrangement of additional pads which are depicted in broken lines for illustrative purposes only and form no part of the claimed design, it being understood that the view is shown on a reduced scale for convenience of illustration.

FIG. 2 is a bottom perspective view of a first embodiment thereof;

FIG. 3 is a top plan view of a first embodiment thereof;

FIG. 4 is a side elevational view of a first embodiment thereof;

FIG. 5 is a bottom plan view of a first embodiment thereof;

FIG. 6 is a bottom perspective view of a second embodiment thereof;

FIG. 7 is a bottom plan view of a second embodiment thereof;

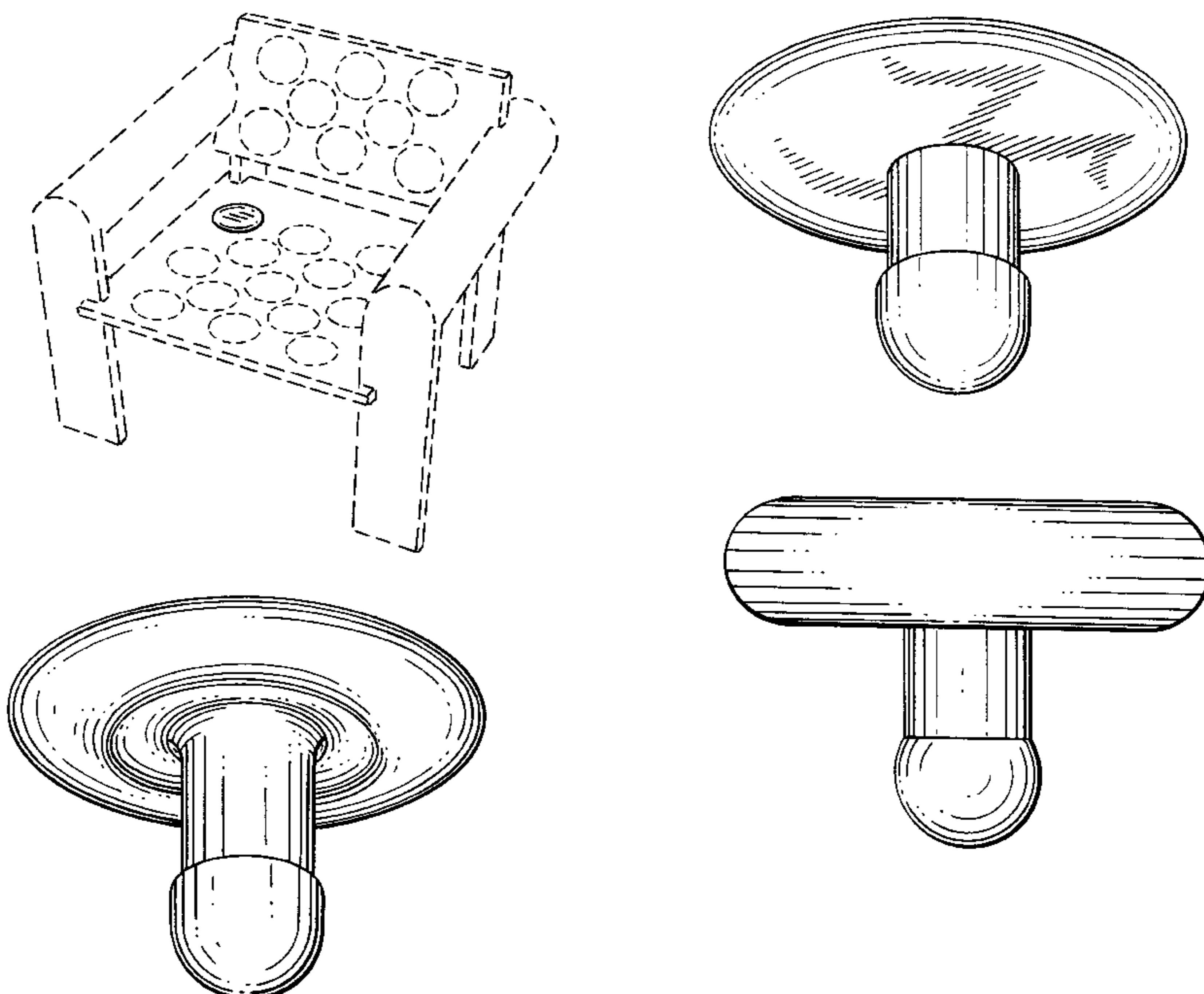
FIG. 8 is a bottom perspective view of a third embodiment thereof;

FIG. 9 is a front elevational view of a third embodiment thereof; and,

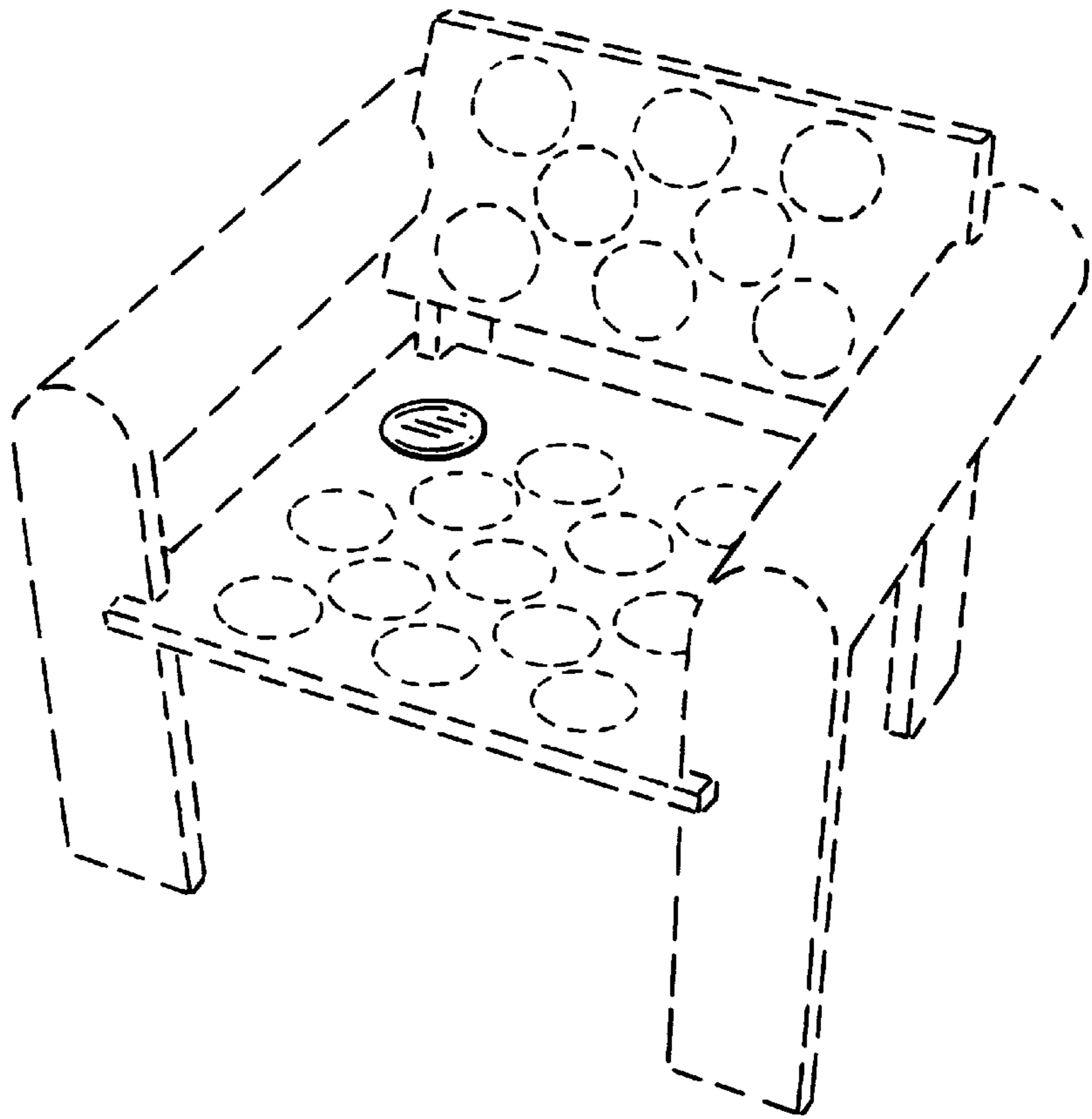
FIG. 10 is a bottom plan view of a third embodiment thereof.

The top of the second and third embodiments of the chair pad are understood to be the same as the first embodiment shown in FIG. 3.

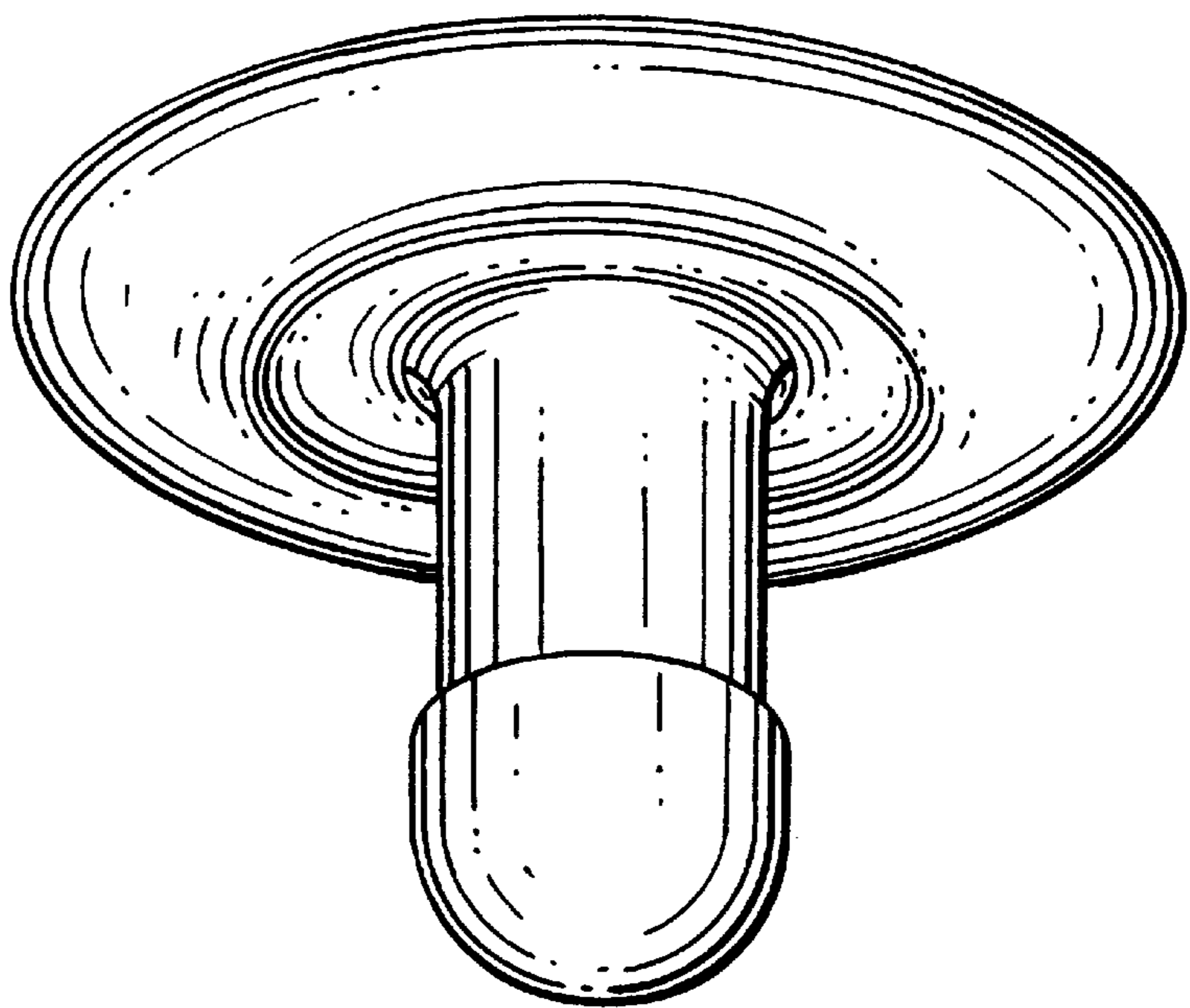
**1 Claim, 4 Drawing Sheets**



*FIG. 1*



*FIG. 2*



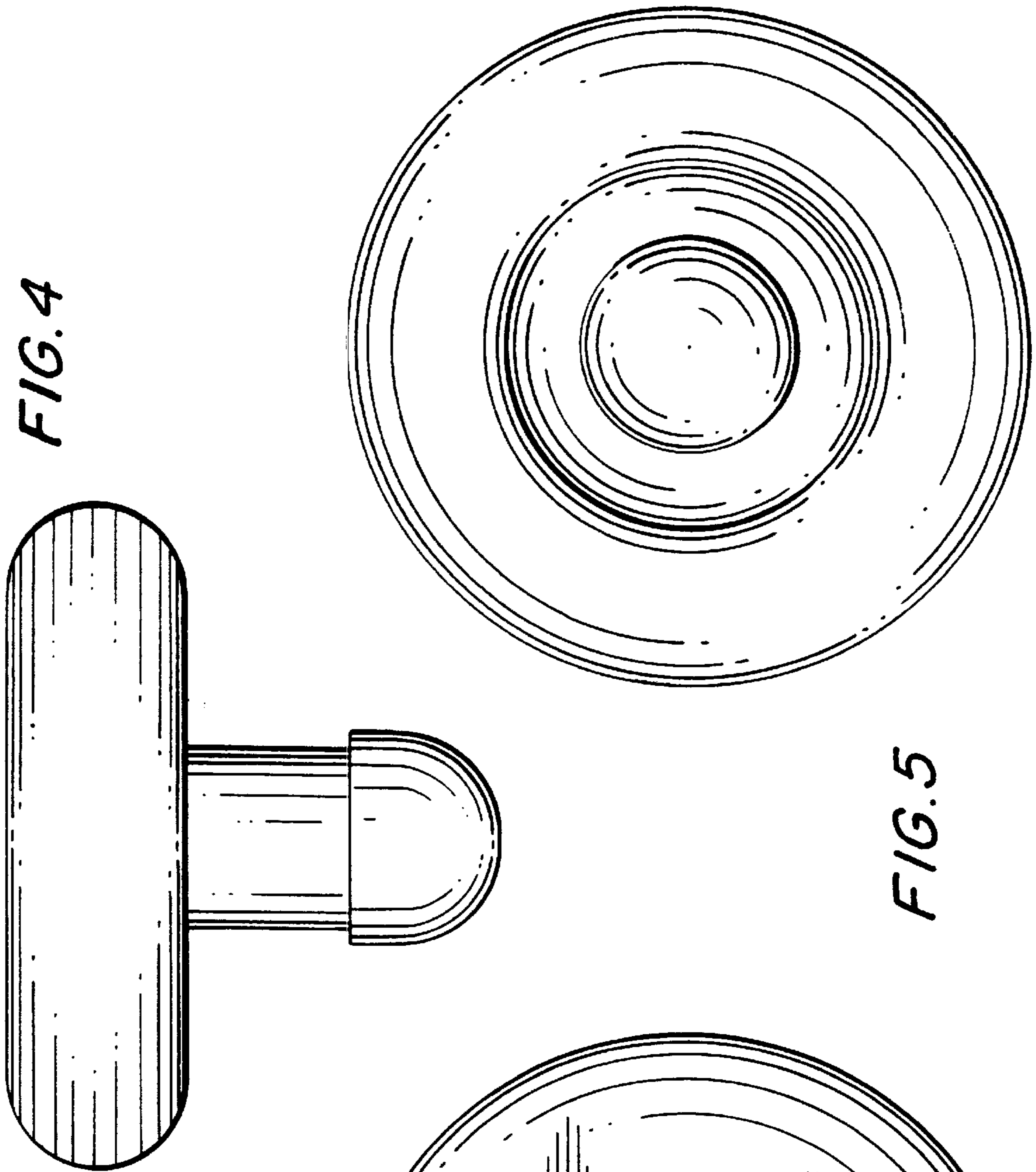


FIG. 4

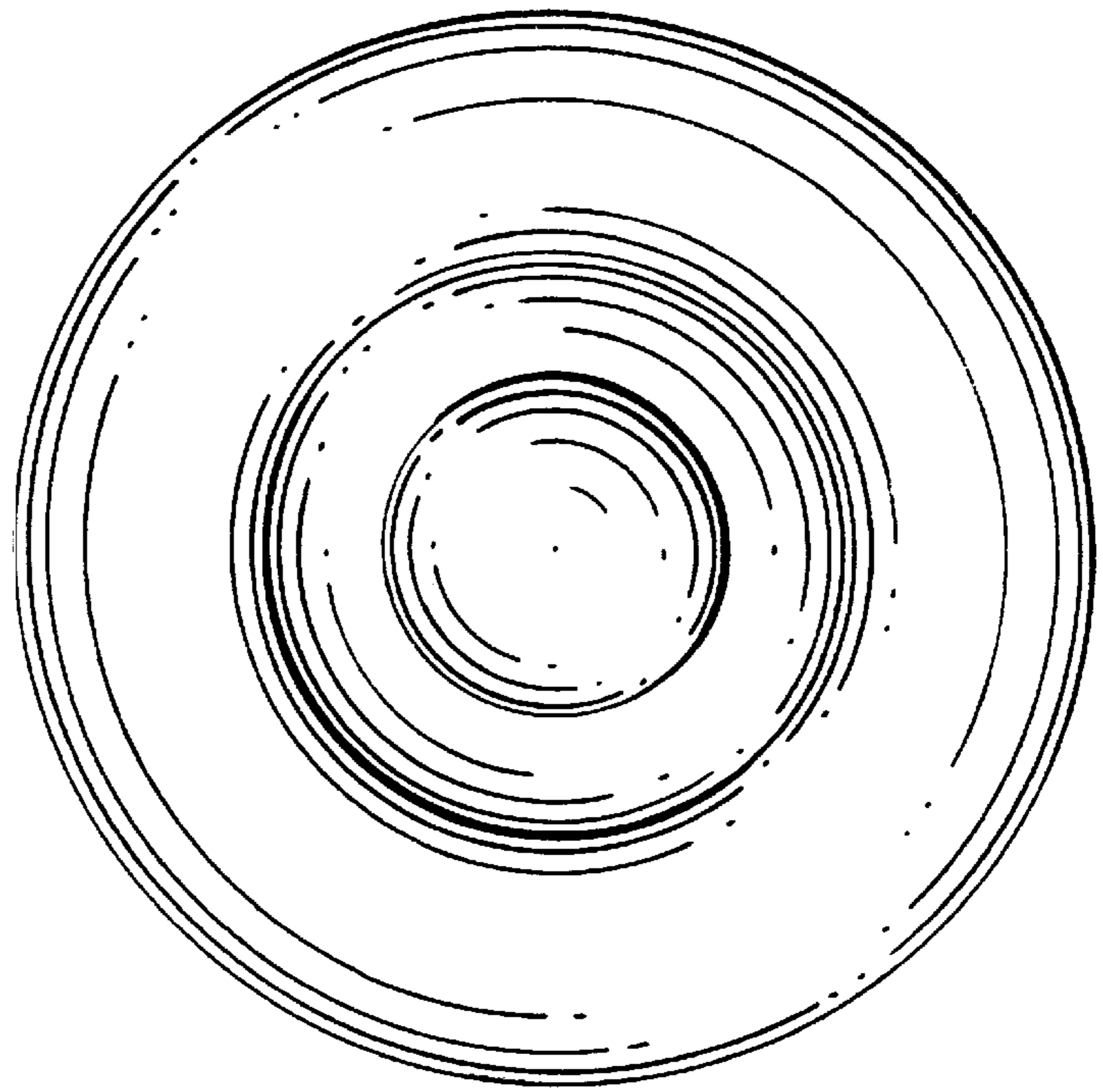
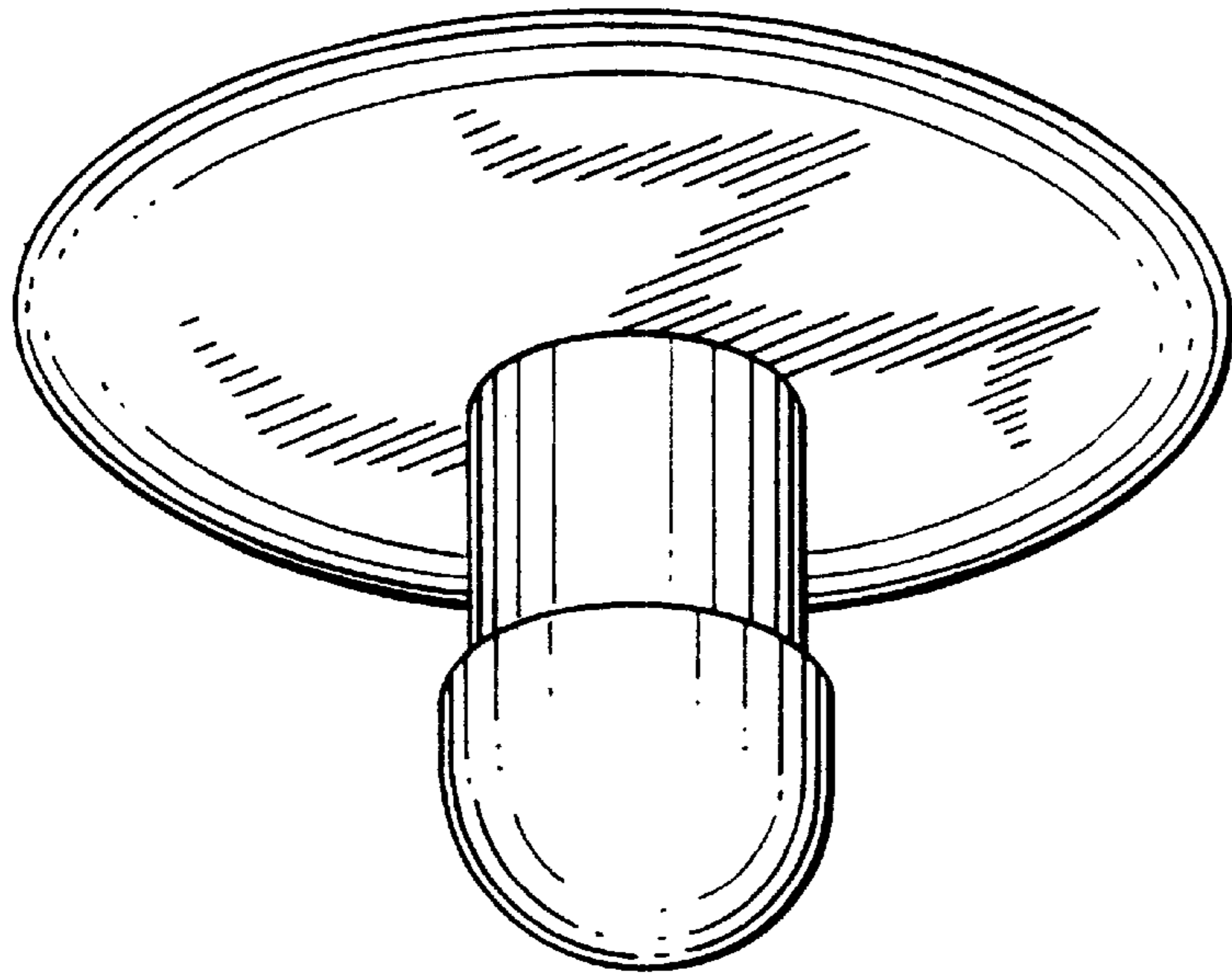


FIG. 5

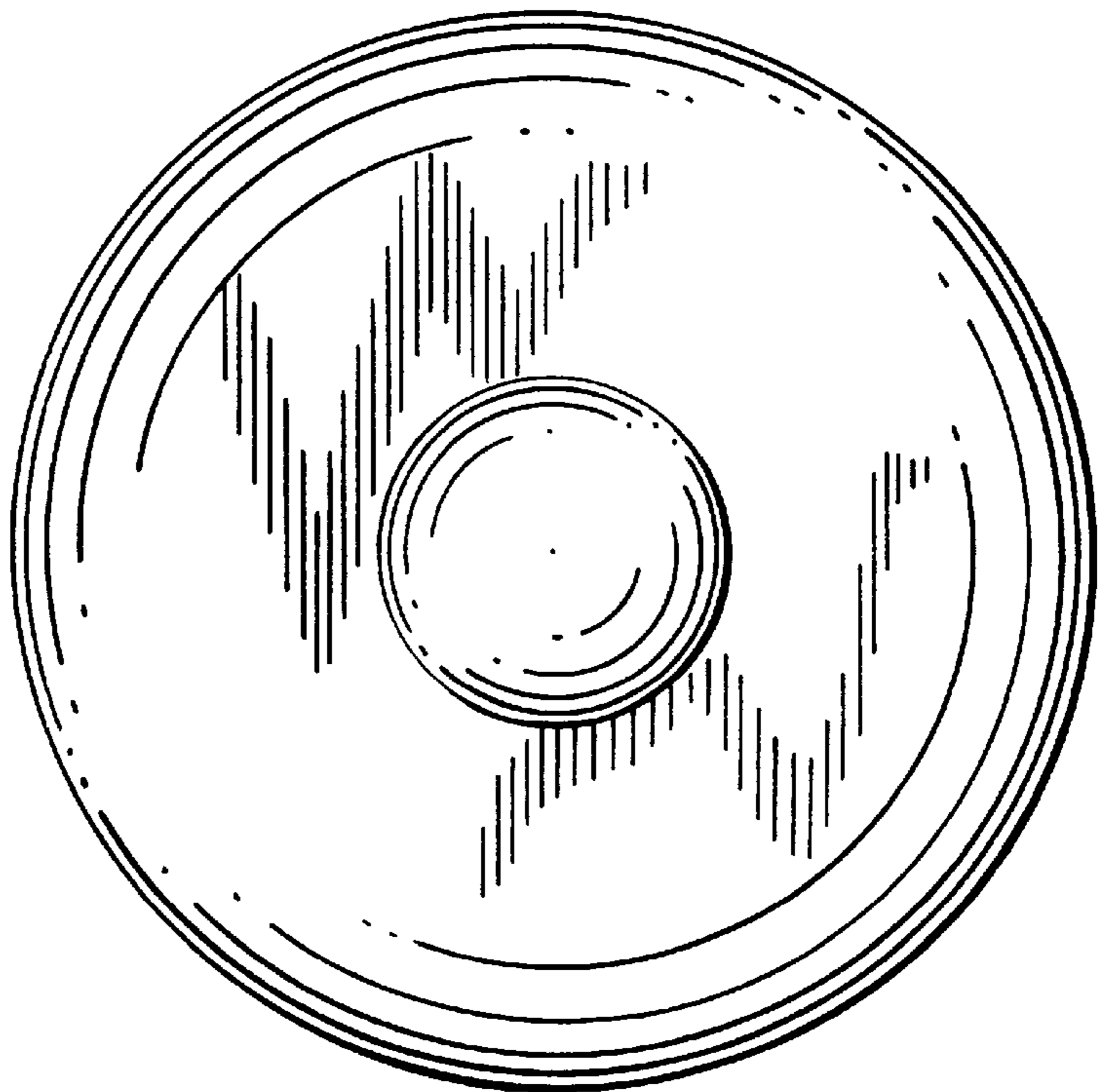


FIG. 3

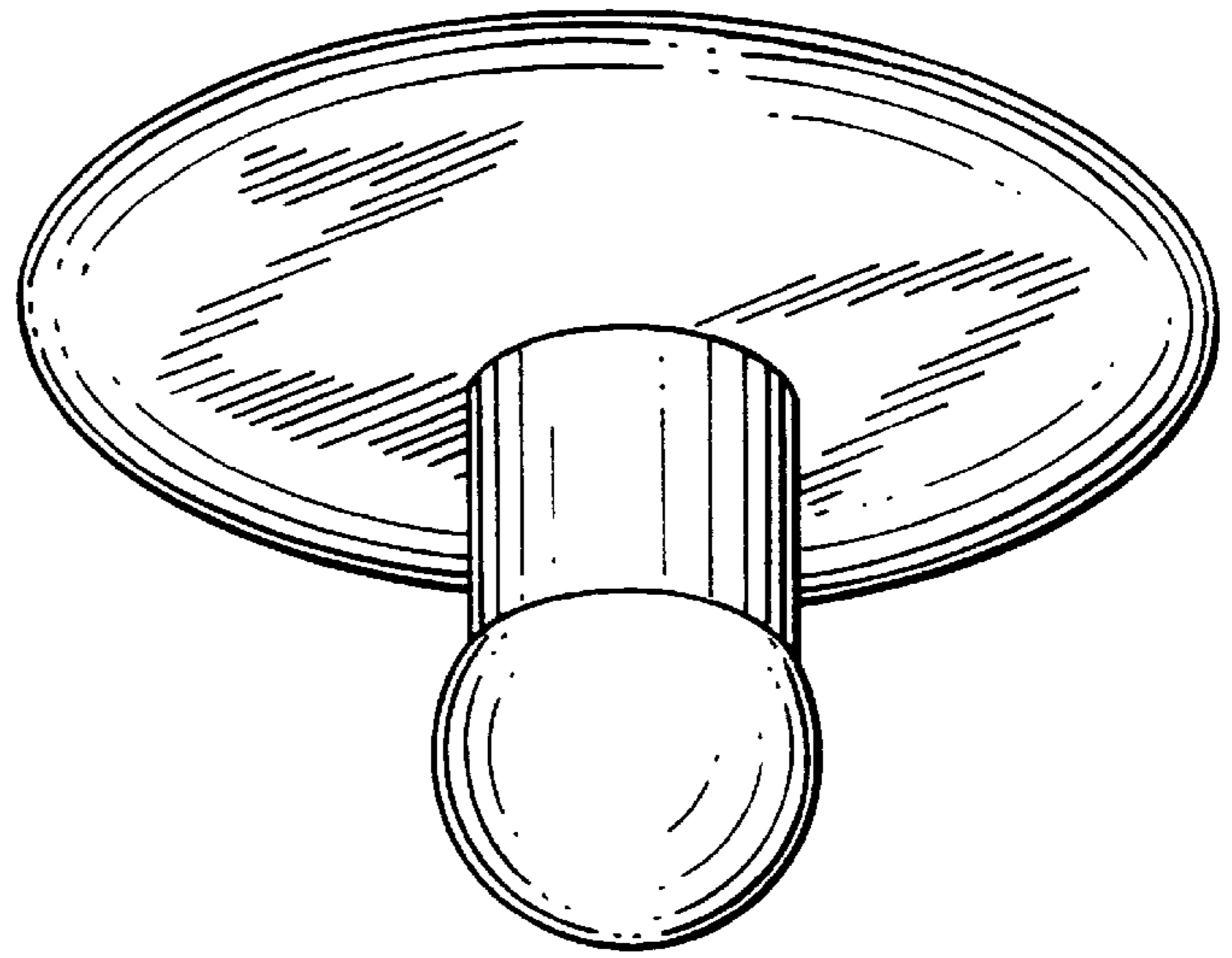


*FIG. 6*

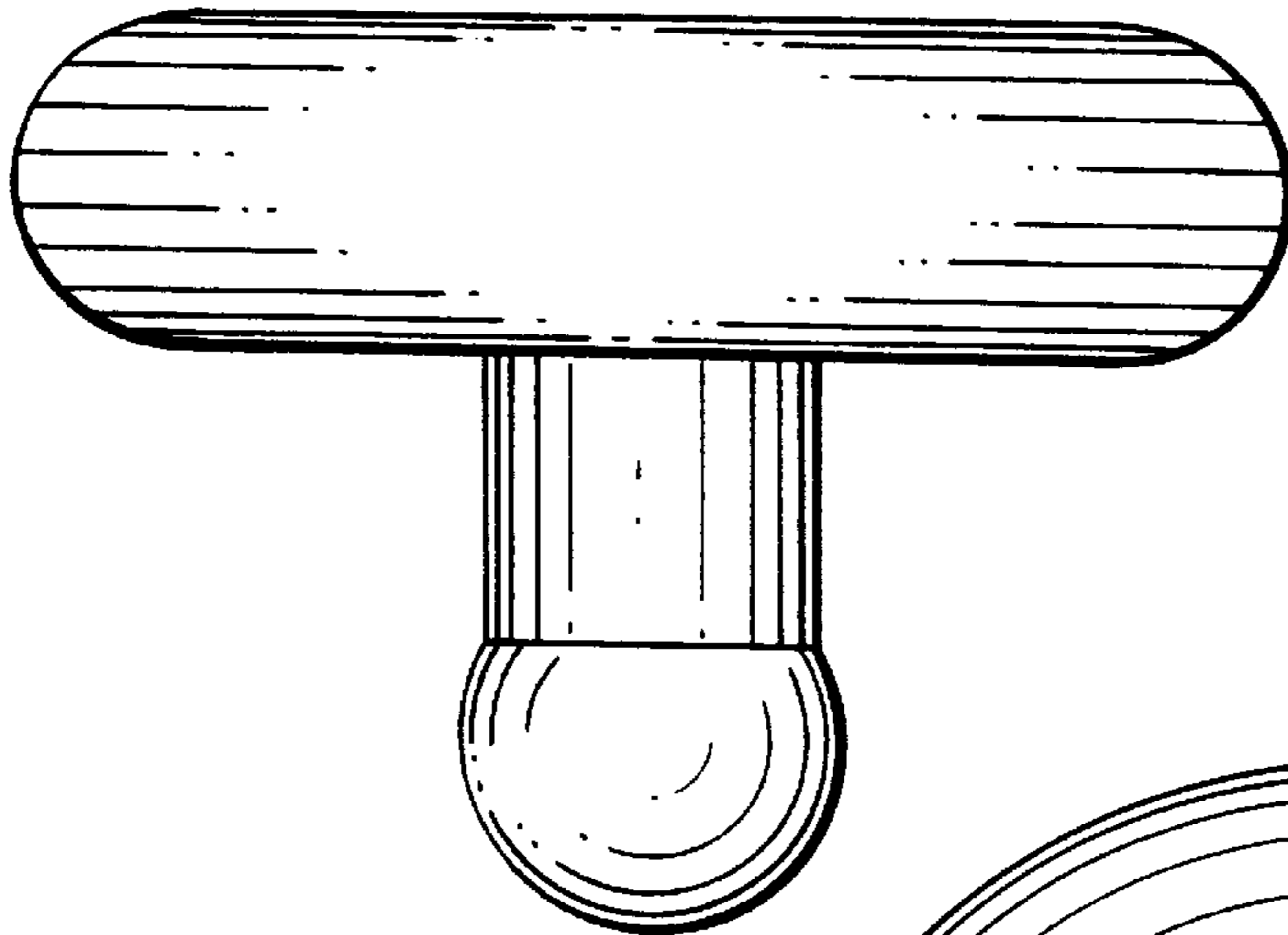
*FIG. 7*



*FIG. 8*



*FIG. 9*



*FIG. 10*

