



US00D432336S

United States Patent [19] Gibson

[11] Patent Number: **Des. 432,336**

[45] Date of Patent: **** Oct. 24, 2000**

[54] SEAT

[75] Inventor: **Andrew C. Gibson**, Chapel Hill, N.C.

[73] Assignee: **Klaussner Corporate Services, Inc.**,
Asheboro, N.C.

[**] Term: **14 Years**

[21] Appl. No.: **29/110,403**

[22] Filed: **Sep. 3, 1999**

[51] LOC (7) Cl. **06-01**

[52] U.S. Cl. **D6/500; D6/335**

[58] Field of Search D6/334, 335, 371,
D6/372, 373, 374, 378, 381, 500, 501,
502; 297/218.1, 218.2, 218.3, 218.4, 218.5,
440.23

[56] References Cited

U.S. PATENT DOCUMENTS

D. 251,818	5/1979	Offredi	D6/334
D. 289,831	5/1987	Leib	D6/334
D. 292,145	10/1987	Zapf	D6/334
D. 335,395	5/1993	Gibson	D6/334
D. 336,377	6/1993	Gibson	D6/334
D. 362,129	9/1995	Natuzzi et al.	D6/381
D. 364,976	12/1995	Natuzzi et al.	D6/381
D. 365,458	12/1995	Natuzzi et al.	D6/381
D. 368,377	4/1996	Laslo	D6/334
D. 405,280	2/1999	Gibson	D6/335

OTHER PUBLICATIONS

Klaussner Furniture Cobble Hill Leaf CK 27500 Series photo, Fall 1997.

Klaussner Furniture L5905 Series brochure, undated.

Klaussner Furniture 2700 Series brochure, Spring 1995.

Klaussner Furniture (Sealy) PP33200 Series photo, Fall 1998.

Klaussner Furniture (Stylecraft) 0800 Series brochure, (undated).

Primary Examiner—Doris V. Coles

Assistant Examiner—Mimosa De

Attorney, Agent, or Firm—Rhodes & Mason, P.L.L.C.

[57] CLAIM

The ornamental design for seat, as shown and described.

DESCRIPTION

FIG. 1 is a right front perspective view of a seat showing my new design;

FIG. 2 is a left partial perspective view of the inside arm thereof;

FIG. 3 is a side elevational view thereof;

FIG. 4 is a top plan view thereof;

FIG. 5 is a rear elevational view thereof;

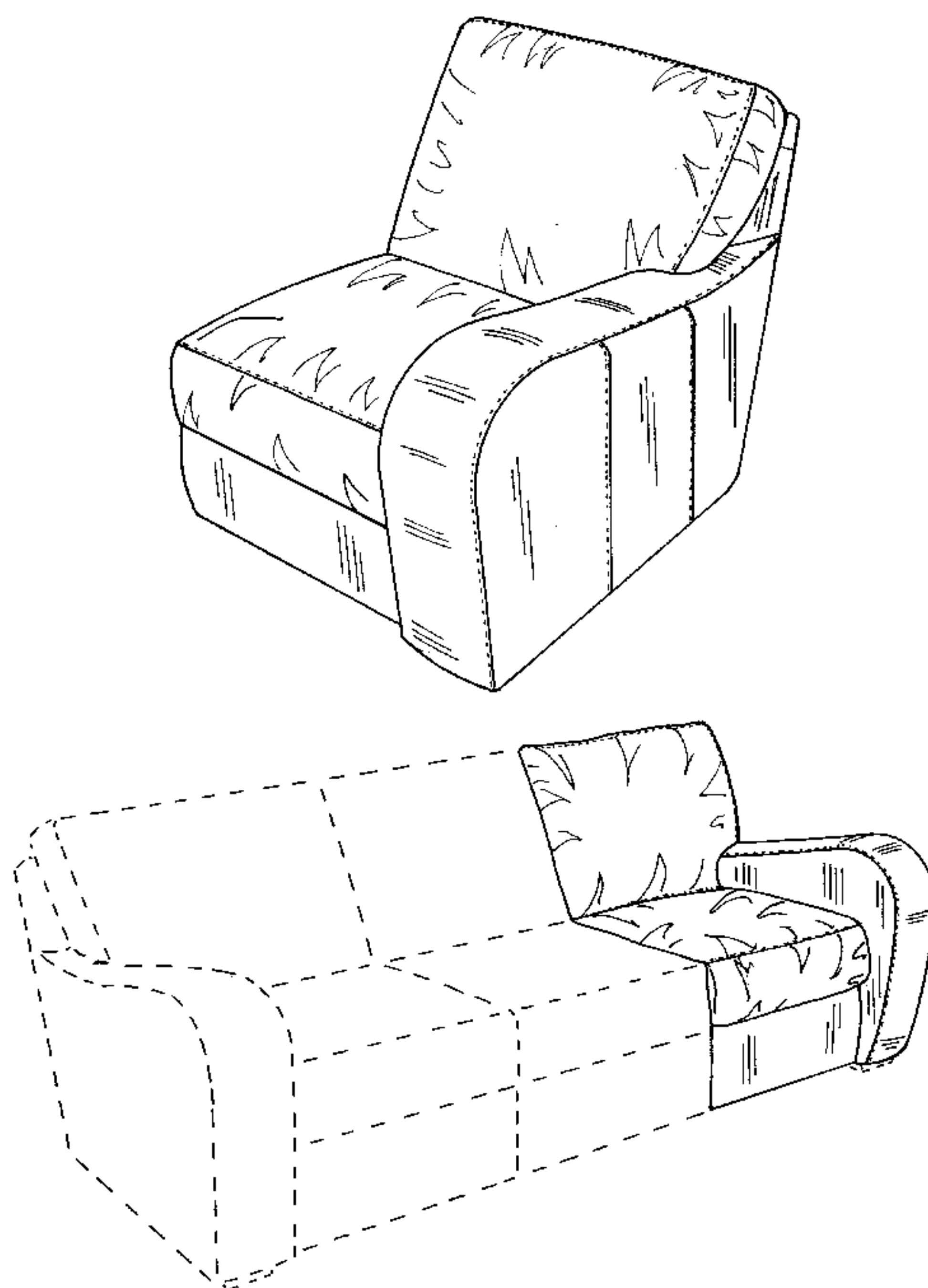
FIG. 6 is a front elevational view thereof;

FIG. 7 is a rear perspective view thereof in association with a second seating unit that is shown in broken lines for illustrative purposes, the second seating unit forming no part of the claimed design; and,

FIG. 8 is a left front perspective view thereof in association with two additional seating units that are shown in broken lines for illustrative purposes, the two additional section units forming no part of the claimed design.

The bottom and right side elevational view of the design is not shown and forms no part of the claimed design. The dashed lines near the seems in the seat represent conventional stitching. The dotted lines at the feet represent environment elements only and form no part of the claimed design. The seat shown can appear in conjunction with other like or unlike elements to form a single seat, loveseat, sofa or sectional piece of furniture.

1 Claim, 4 Drawing Sheets



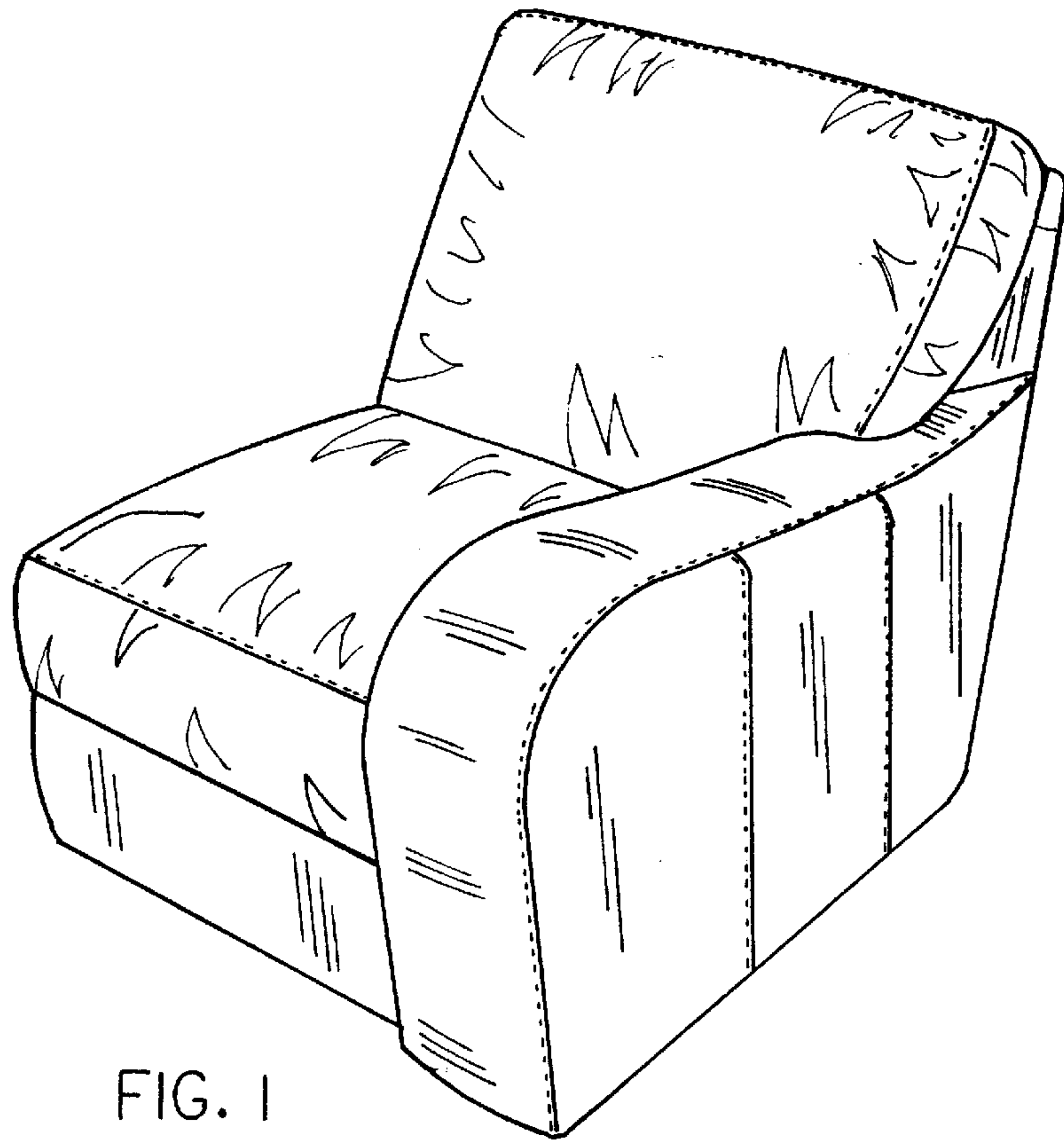


FIG. 1

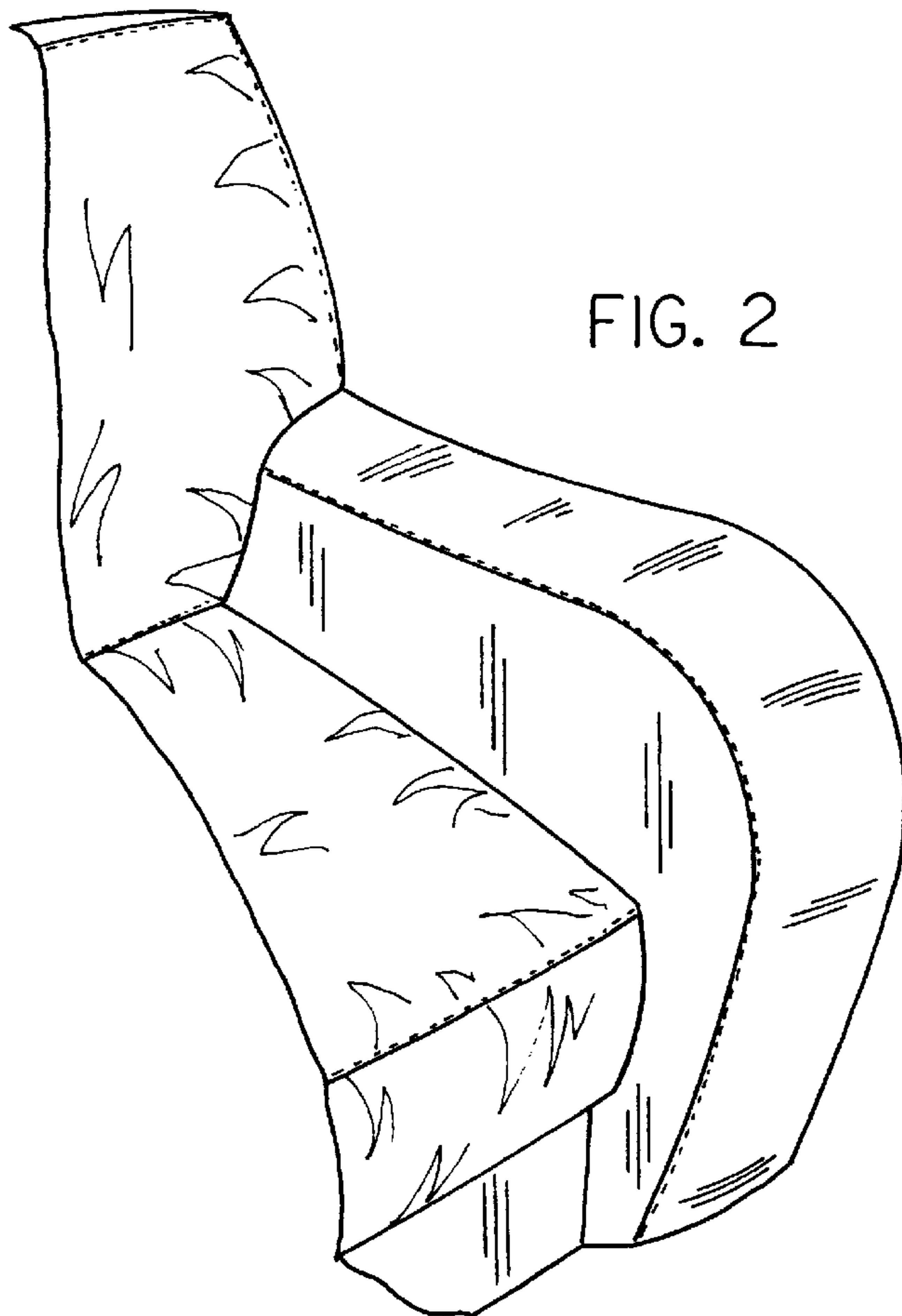


FIG. 2

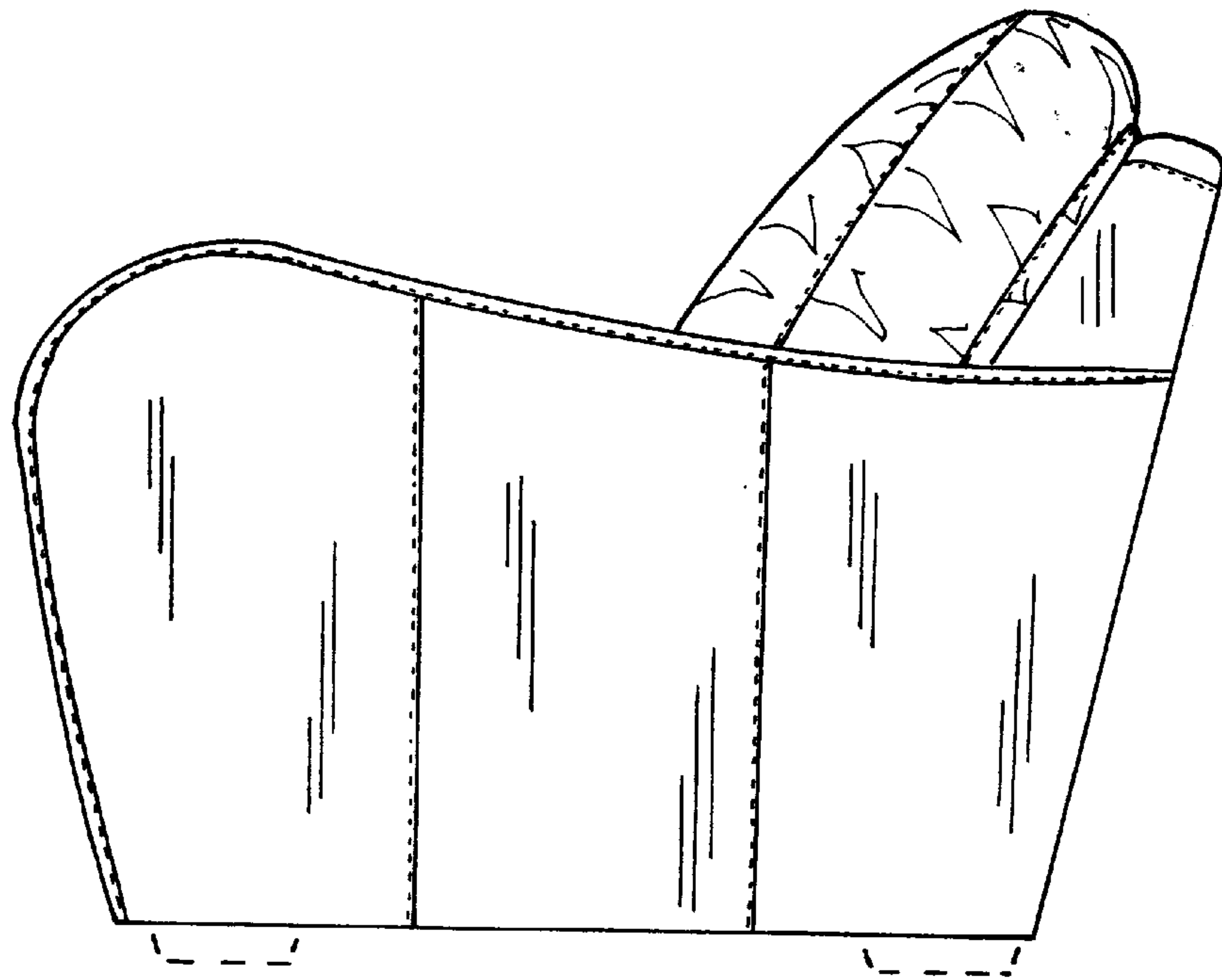
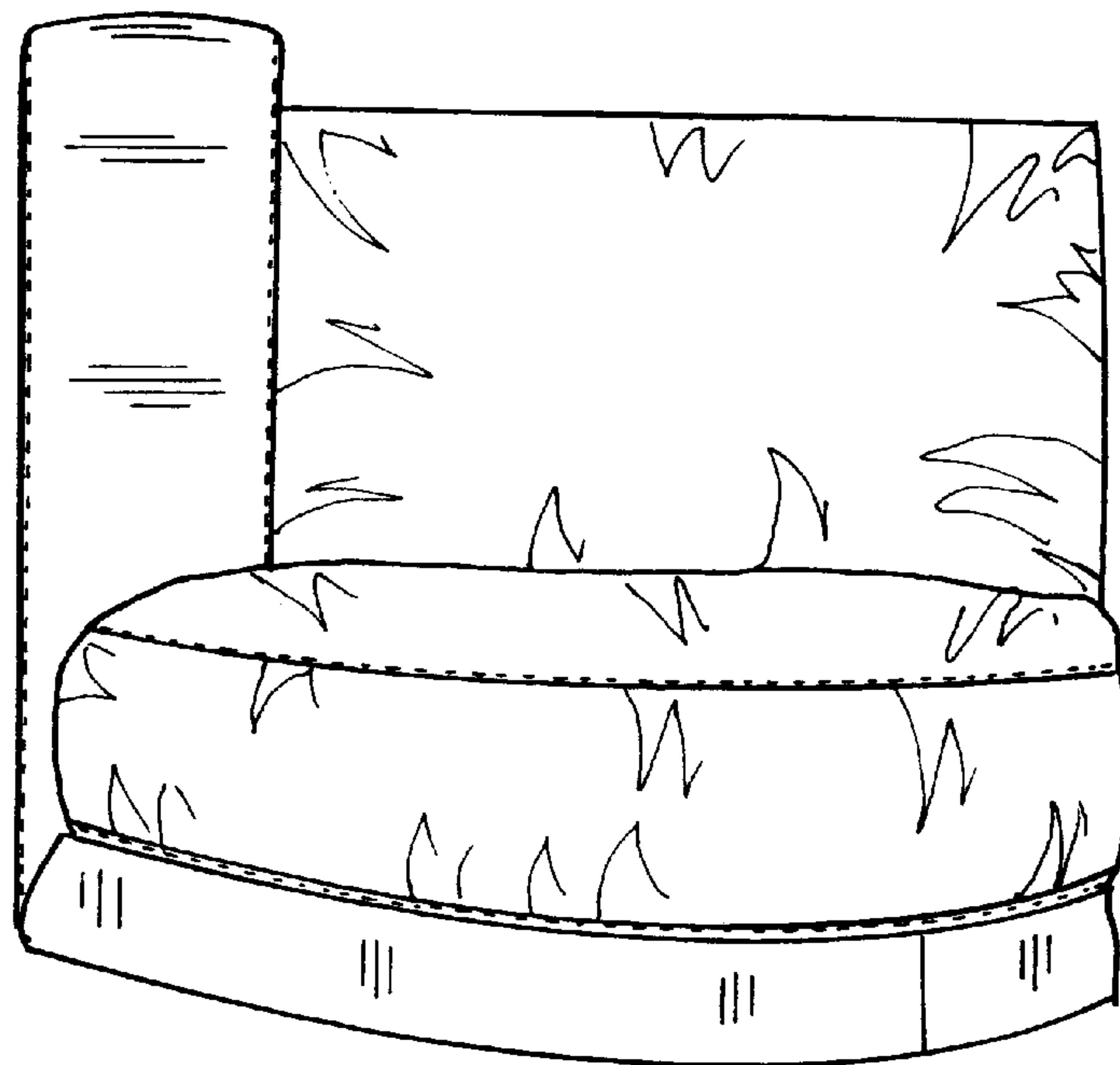


FIG. 3

FIG. 4



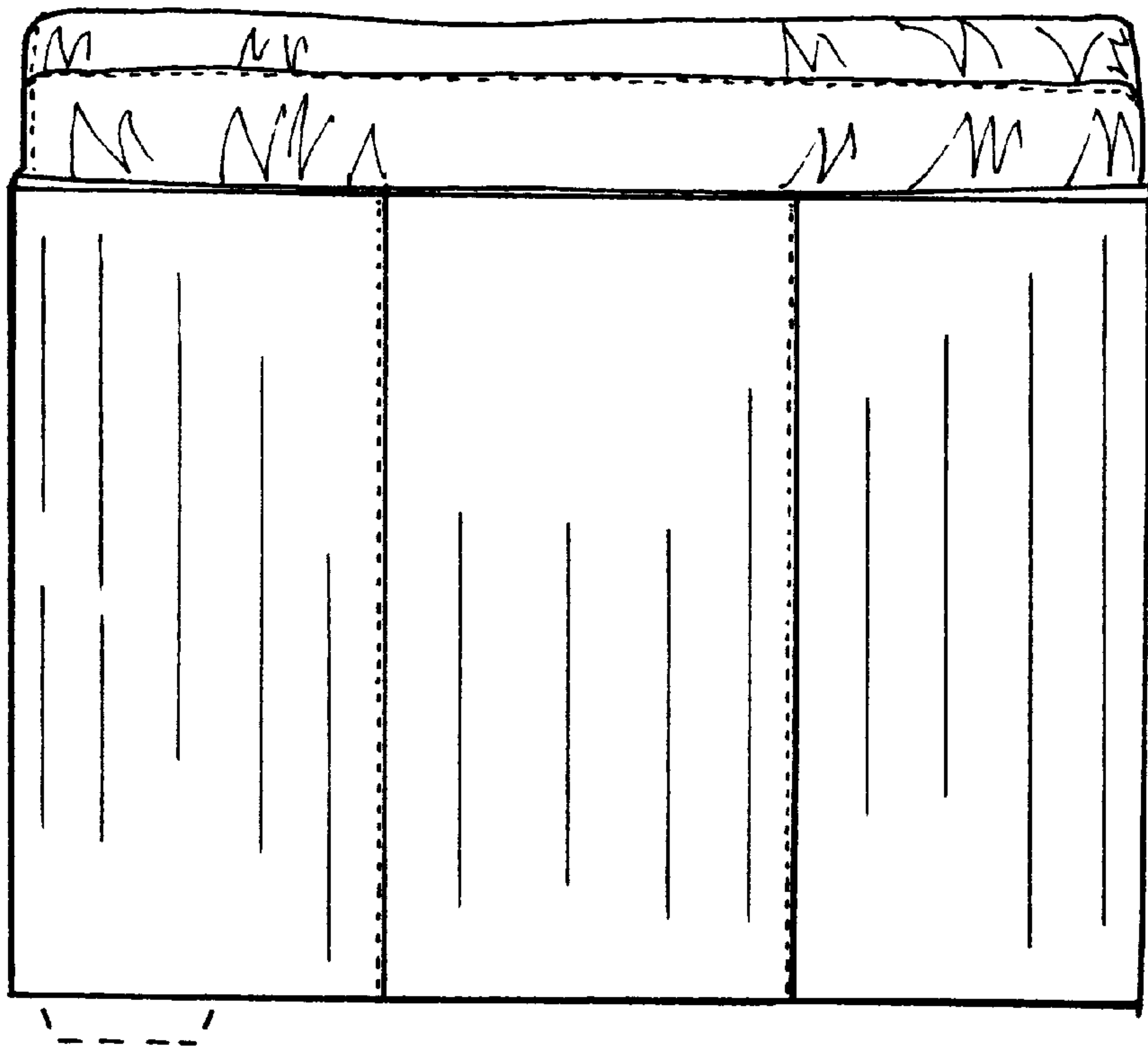
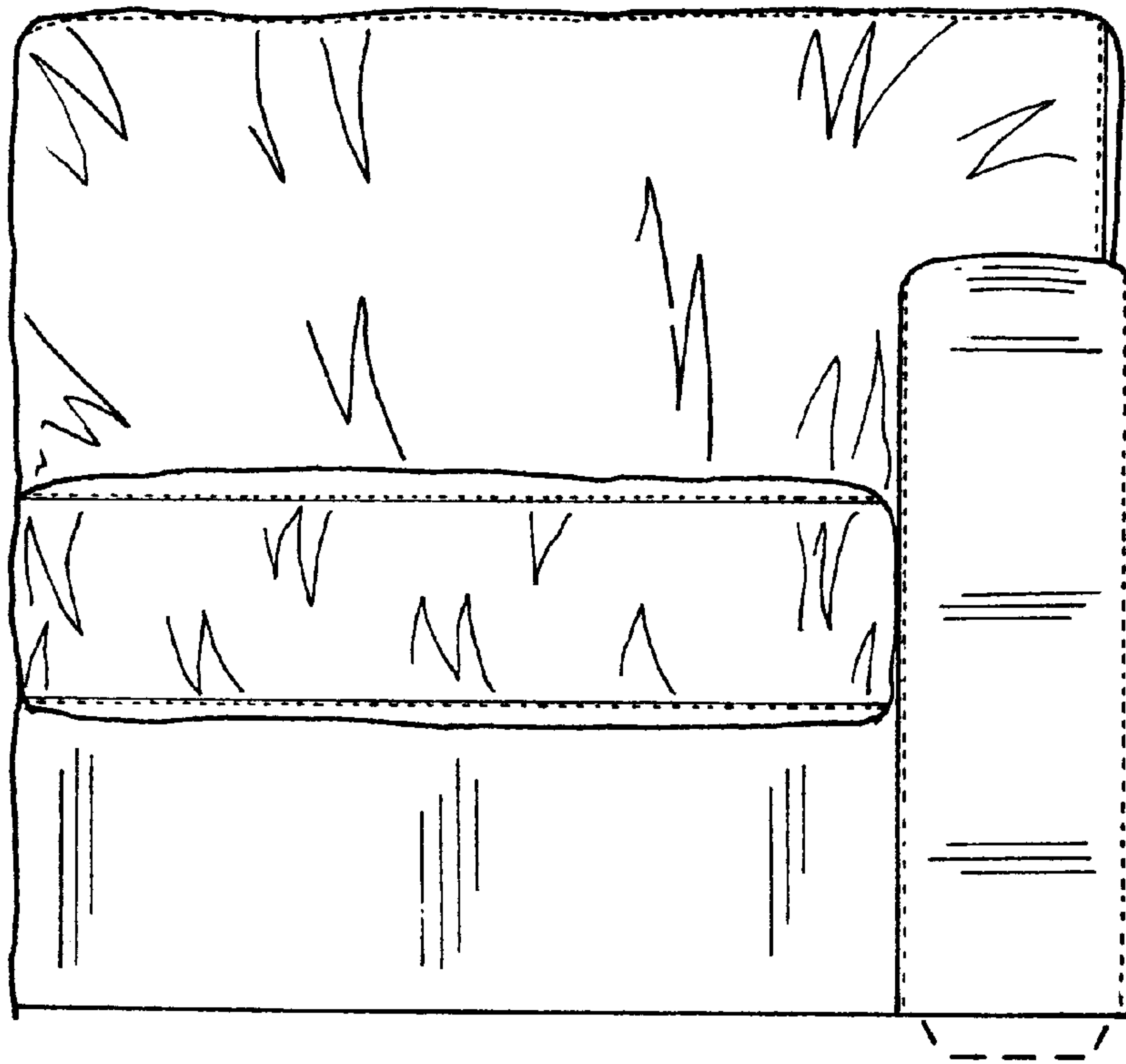


FIG. 5

FIG. 6



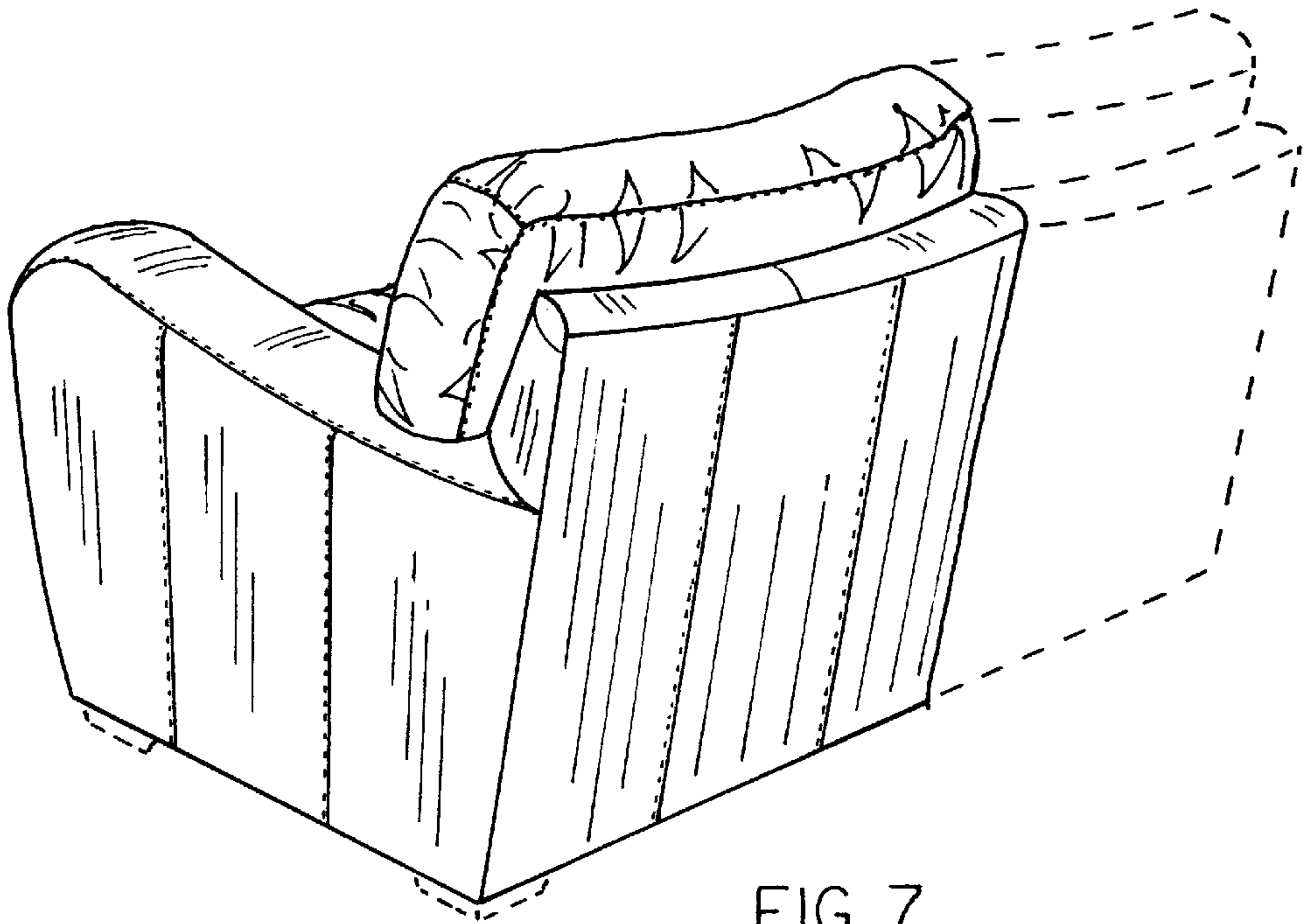


FIG. 7

FIG. 8

