



US00D432335S

United States Patent [19]
Wistehuff, Sr.

[11] **Patent Number: Des. 432,335**

[45] **Date of Patent: ** Oct. 24, 2000**

[54] **TABLE BASE**

[75] Inventor: **Daniel David Wistehuff, Sr.**,
Greensboro, N.C.
[73] Assignee: **Thomasville Furniture Industries,
Inc.**, Thomasville, N.C.
[**] Term: **14 Years**

[21] Appl. No.: **29/112,329**
[22] Filed: **Oct. 14, 1999**

[51] **LOC (7) Cl.** **06-03**
[52] **U.S. Cl.** **D6/495**
[58] **Field of Search** D6/480-489, 495,
D6/496, 497, 498, 451; 108/150, 153.1,
155, 156, 157.1, 161; 248/188, 188.1, 188.7

[56] **References Cited**

U.S. PATENT DOCUMENTS

D. 337,461 7/1993 Martin D6/484
D. 339,002 9/1993 Wong D6/349
D. 369,926 5/1996 Keller D6/480

OTHER PUBLICATIONS

House Beautiful, Oct. 1985, p. 10, table.
Ethan Allen c1998, p. 316, #13-8834 table at left and center.
Calif-Asia Hermosa Rattan, c1974, p. 21, table leg at top.
Table, McGuire Furniture Company.

Primary Examiner—Janice E. Seeger
Attorney, Agent, or Firm—Rhodes & Mason, P.L.L.C.

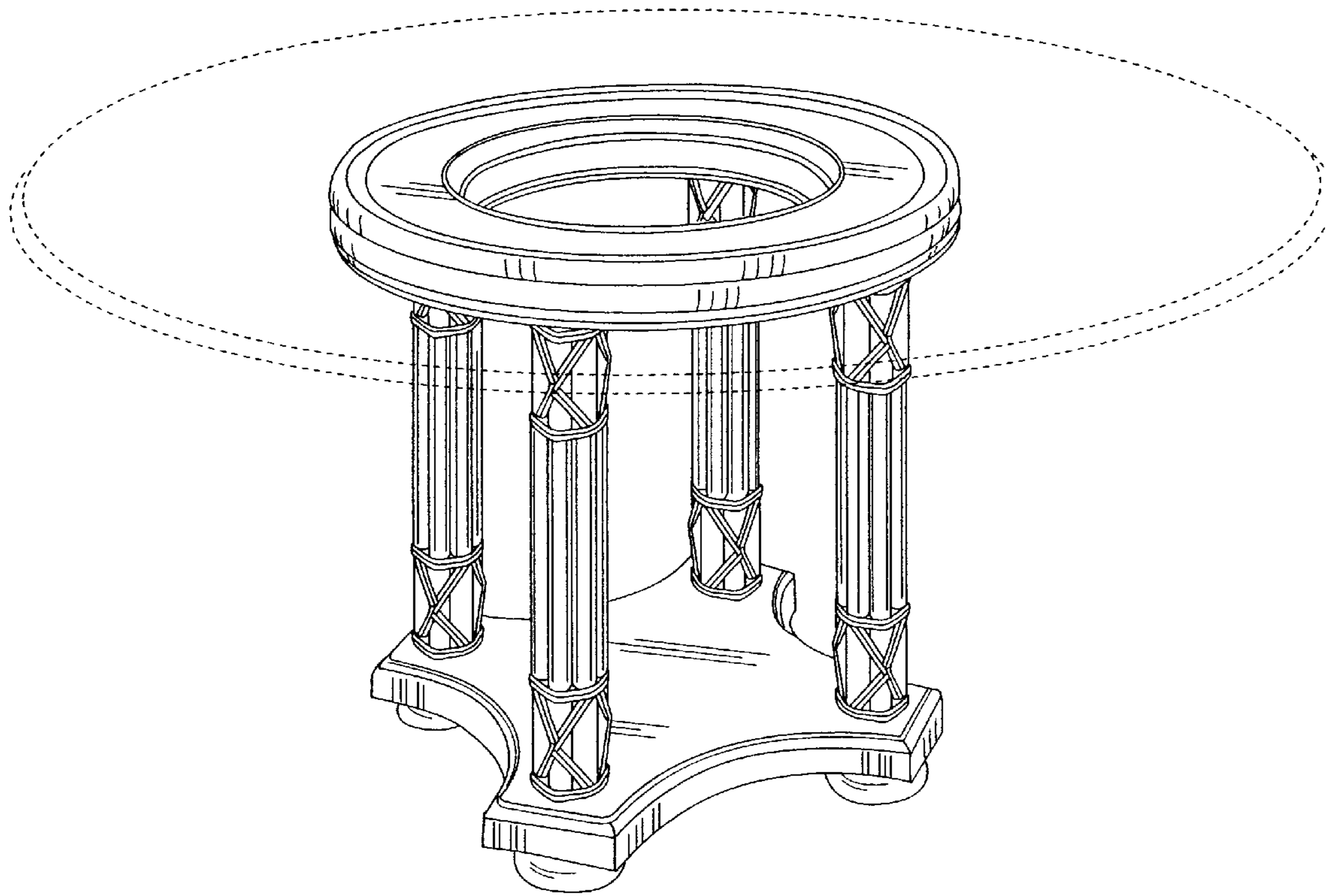
[57] **CLAIM**

The ornamental design for a table base, as shown and described.

DESCRIPTION

FIG. 1 is a perspective view of a table base showing my new design;
FIG. 2 is a side view, the opposite side being a mirror image thereof; and,
FIG. 3 is a top view thereof.
The bottom elevational view of the design is not shown and forms no part of the claim design. The dashed lines represent environmental elements only and form no part of the claimed design.

1 Claim, 3 Drawing Sheets



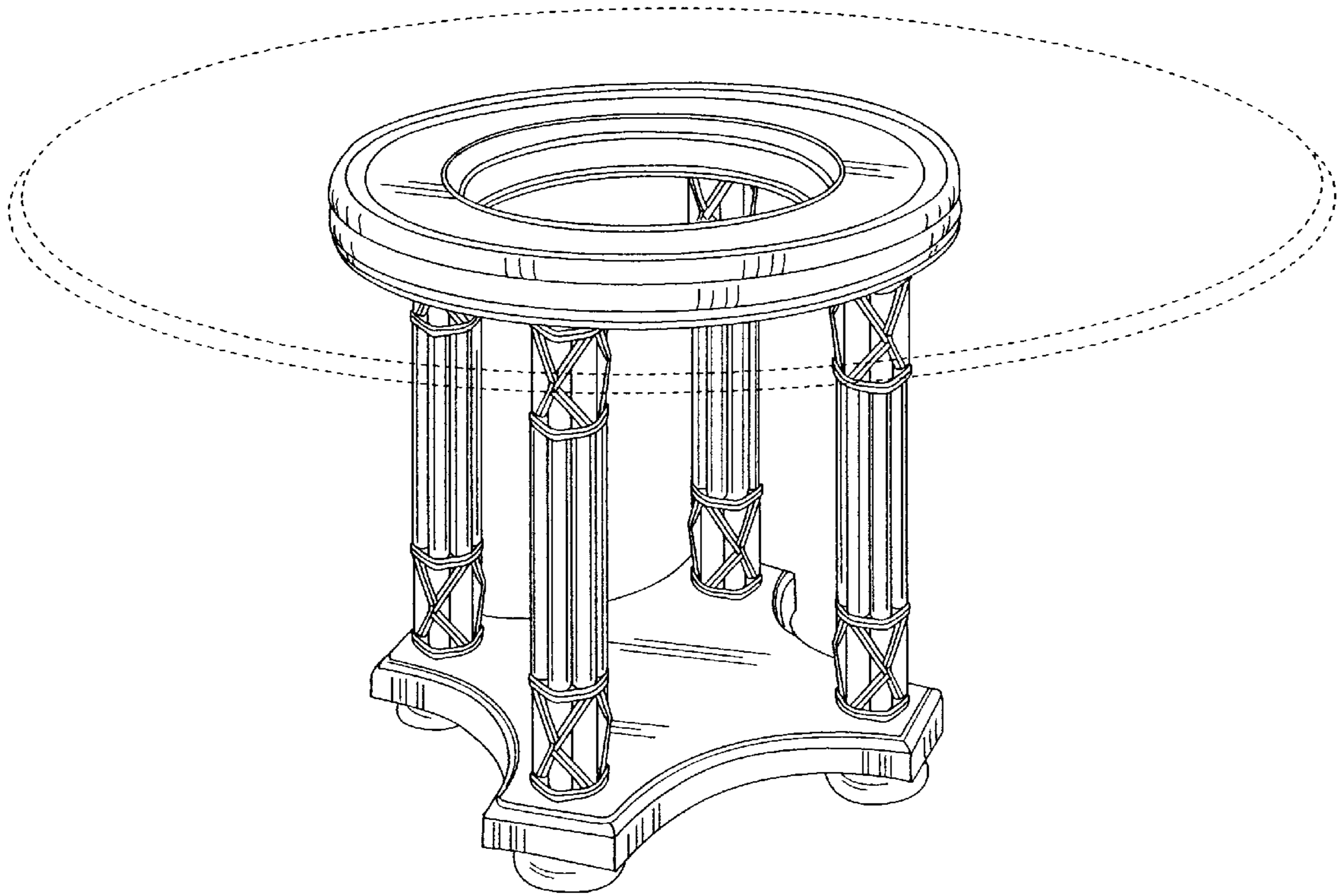


FIG. 1

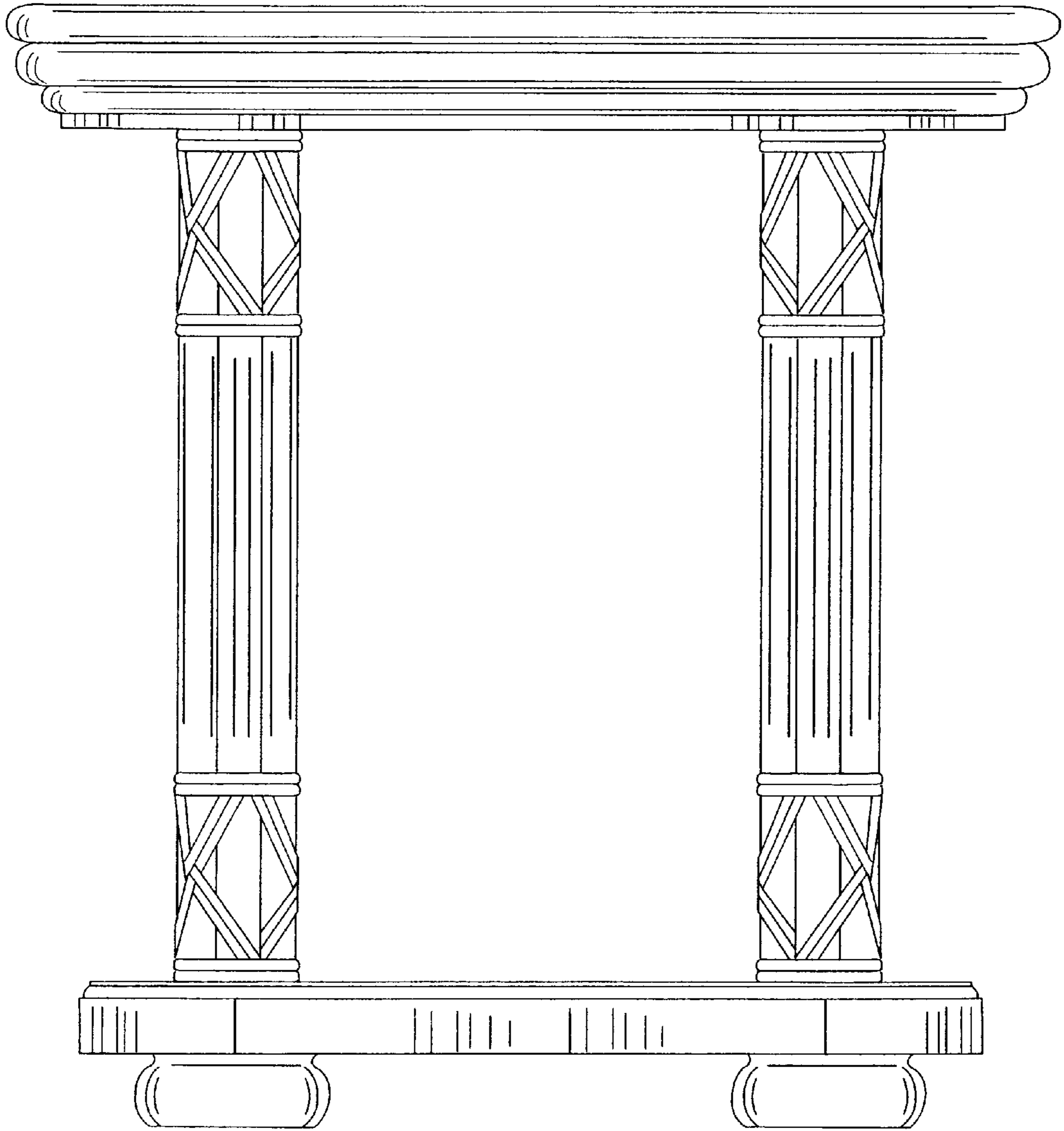


FIG. 2

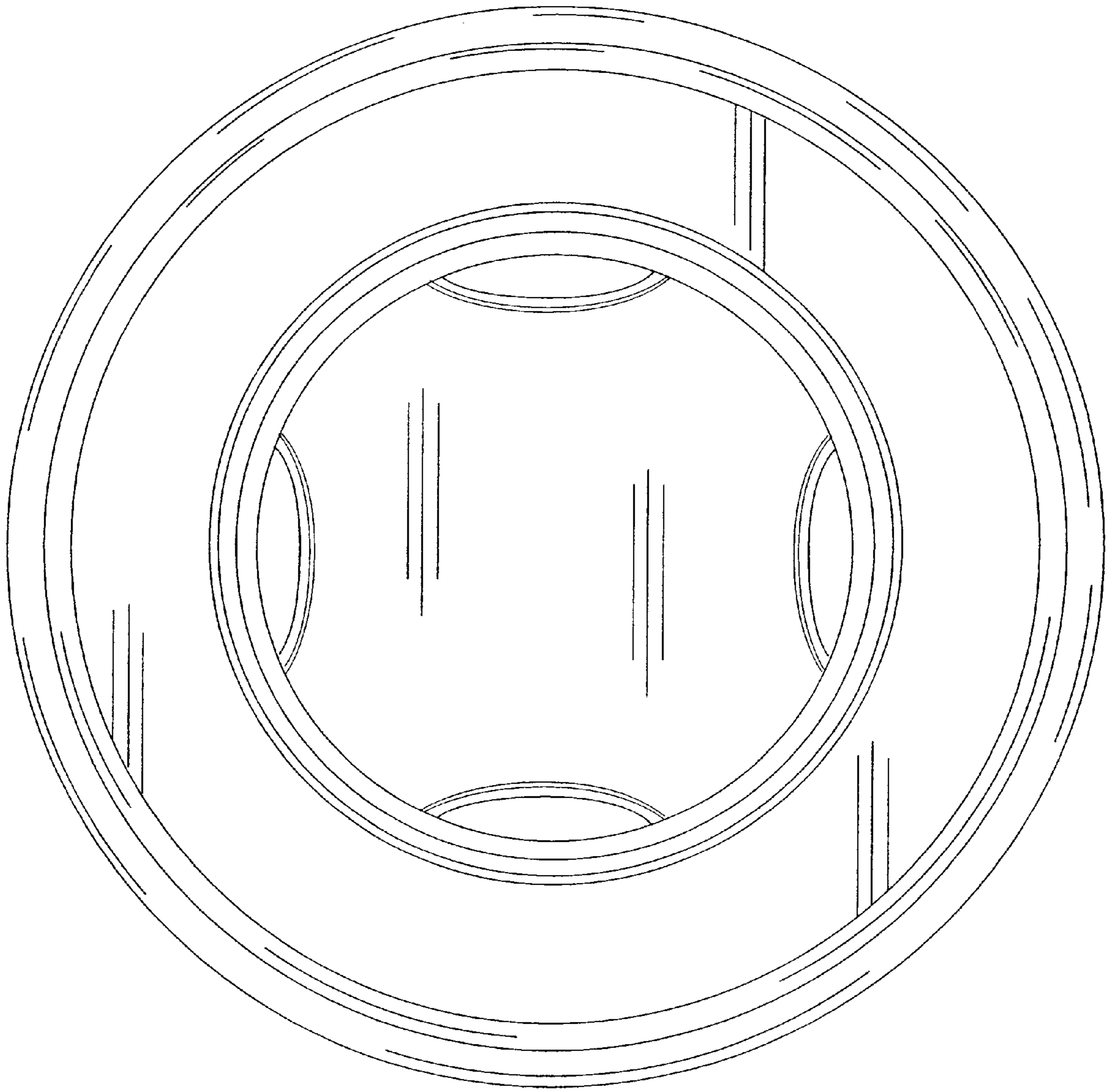


FIG. 3

UNITED STATES PATENT AND TRADEMARK OFFICE
CERTIFICATE OF CORRECTION

PATENT NO : D432,335

DATED : October 24, 2000

INVENTOR(S): Daniel David Wistehuff, Sr.

It is certified that error appears in the above-identified patent and that said Letters Patent are hereby corrected as shown below:

On the cover page, the assignee should be deleted.

Signed and Sealed this

Twenty-ninth Day of May, 2001



Attest:

NICHOLAS P. GODICI

Attesting Officer

Acting Director of the United States Patent and Trademark Office