



US00D432334S

**United States Patent** [19]  
**Risdall**

[11] **Patent Number: Des. 432,334**

[45] **Date of Patent: \*\* Oct. 24, 2000**

[54] **RECTANGULAR TABLE**

[75] Inventor: **Charles Risdall**, Dallas, Tex.

[73] Assignee: **Smith System Manufacturing Company**, Plano, Tex.

[\*\*] Term: **14 Years**

[21] Appl. No.: **29/112,537**

[22] Filed: **Oct. 19, 1999**

[51] **LOC (7) Cl.** ..... **06-03**

[52] **U.S. Cl.** ..... **D6/487**

[58] **Field of Search** ..... D6/480-489, 495-499;  
108/153.1, 155, 156, 157.1, 161; 248/188,  
188.1, 188.8

[56] **References Cited**

**U.S. PATENT DOCUMENTS**

- D. 272,102 1/1984 Olivan ..... D6/483 X
- D. 352,853 11/1994 Hosoe ..... D6/482
- D. 358,723 5/1995 Kelly ..... D6/375

- D. 383,017 9/1997 Kelly ..... D6/482
- D. 390,381 2/1998 Dormon et al. .... D6/480
- D. 395,771 7/1998 Kelly ..... D6/480
- 5,341,749 8/1994 Noakes ..... 108/64

*Primary Examiner*—Janice E. Seeger  
*Attorney, Agent, or Firm*—Michael T. Marrah; Thompson Coburn LLP

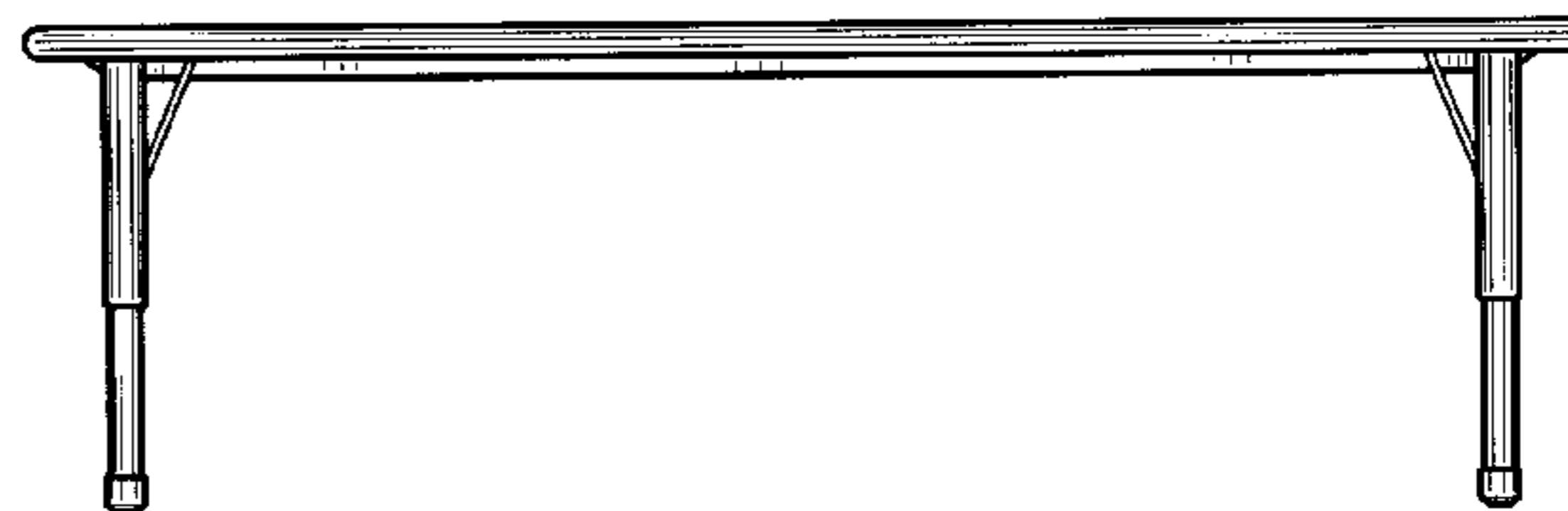
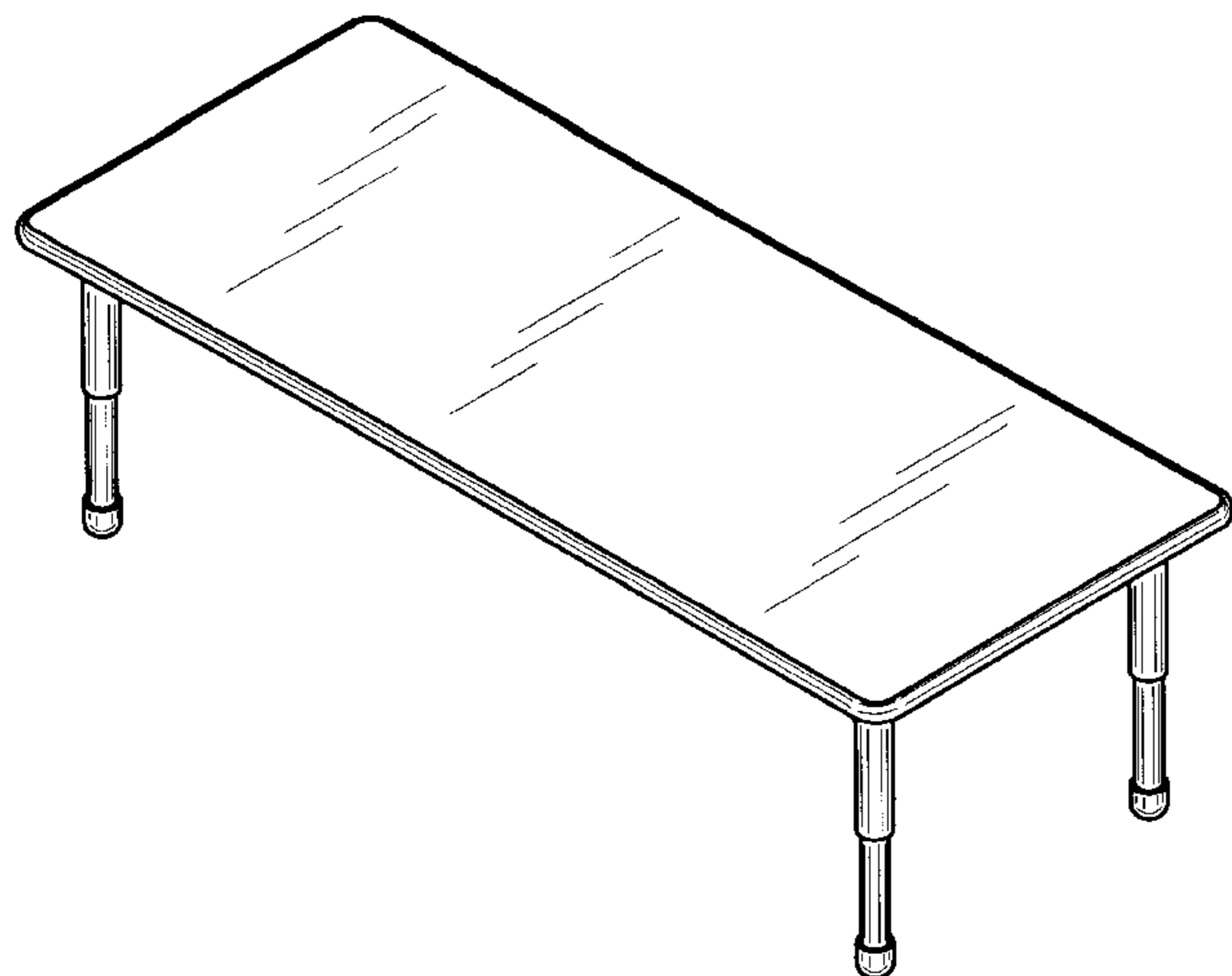
[57] **CLAIM**

The ornamental design for a rectangular table, as shown and described.

**DESCRIPTION**

FIG. 1 is a perspective view of the rectangular table; FIG. 2 is a front view of the rectangular table; FIG. 3 is a side view of the rectangular table (view from other side is identical to this view); FIG. 4 is a top view of the rectangular table; FIG. 5 is a bottom view of the rectangular table; and, FIG. 6 is a cross sectional view of the edge of the rectangular table top along line 6 shown in FIG. 4.

**1 Claim, 2 Drawing Sheets**



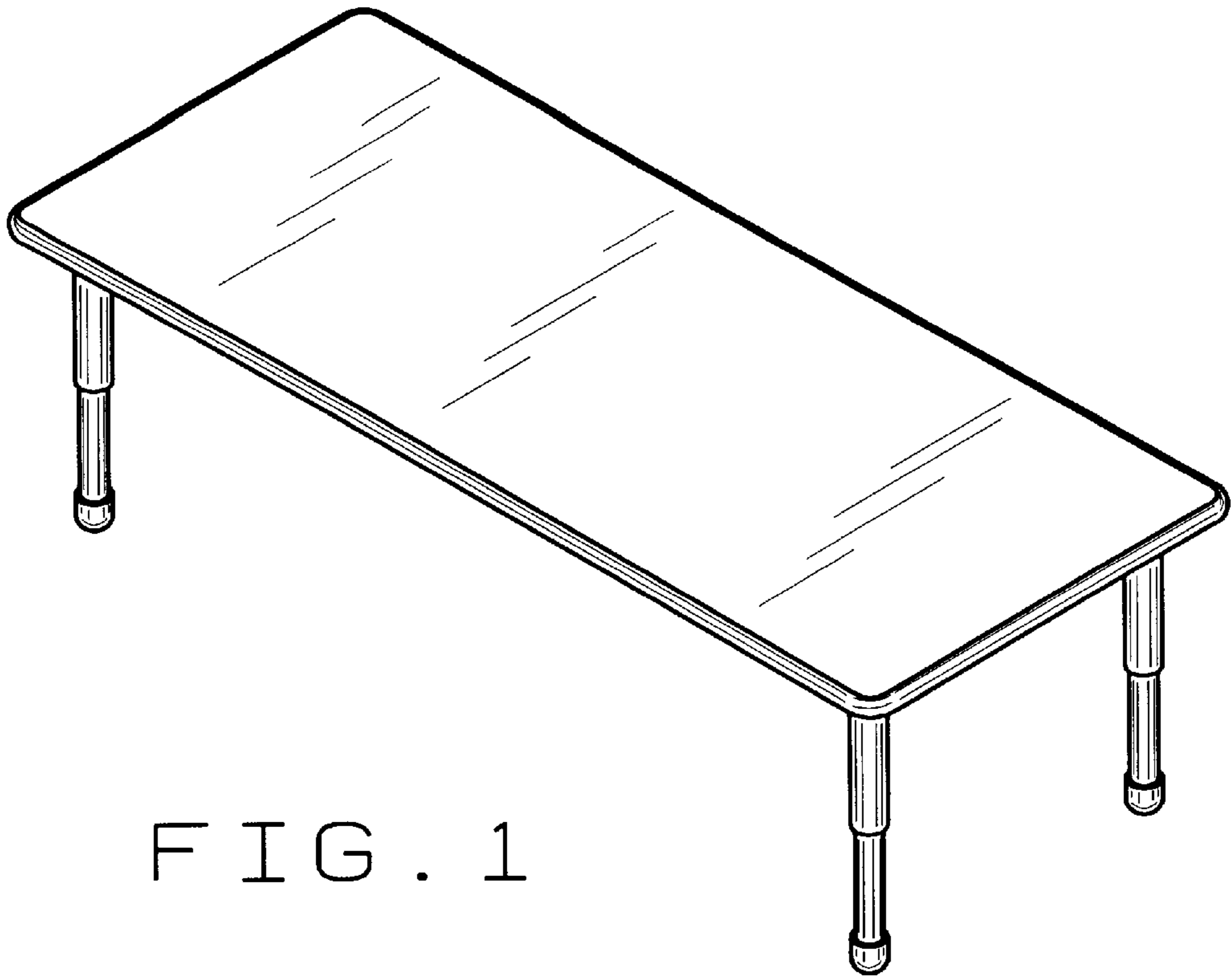


FIG. 1

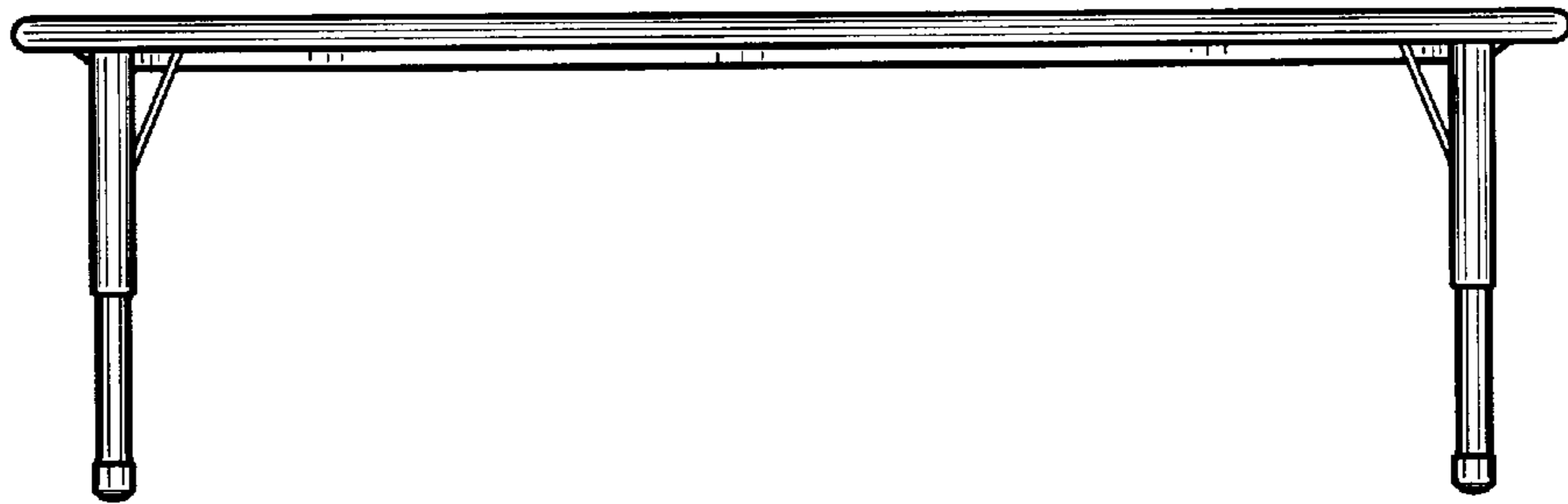


FIG. 2

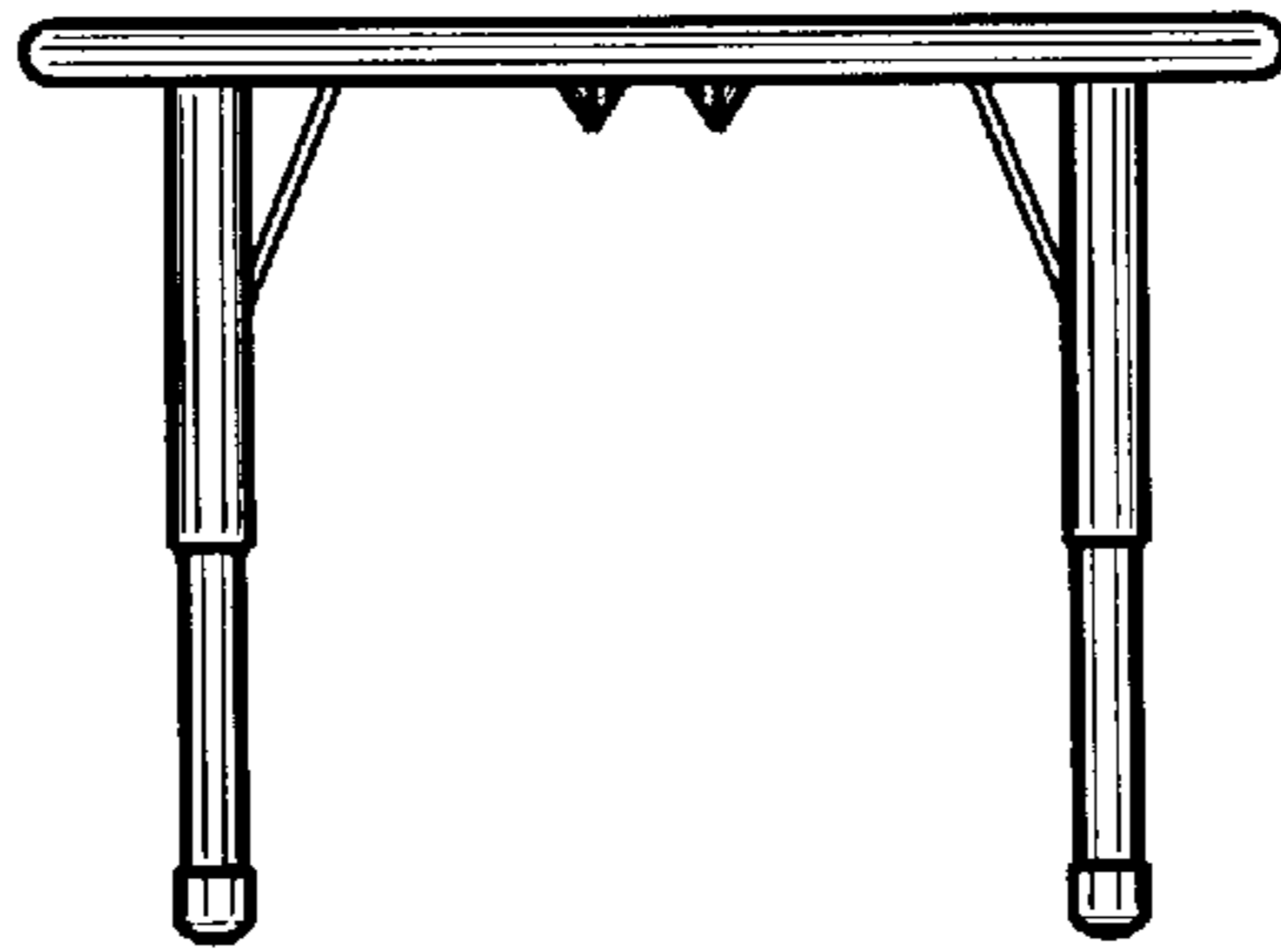


FIG. 3

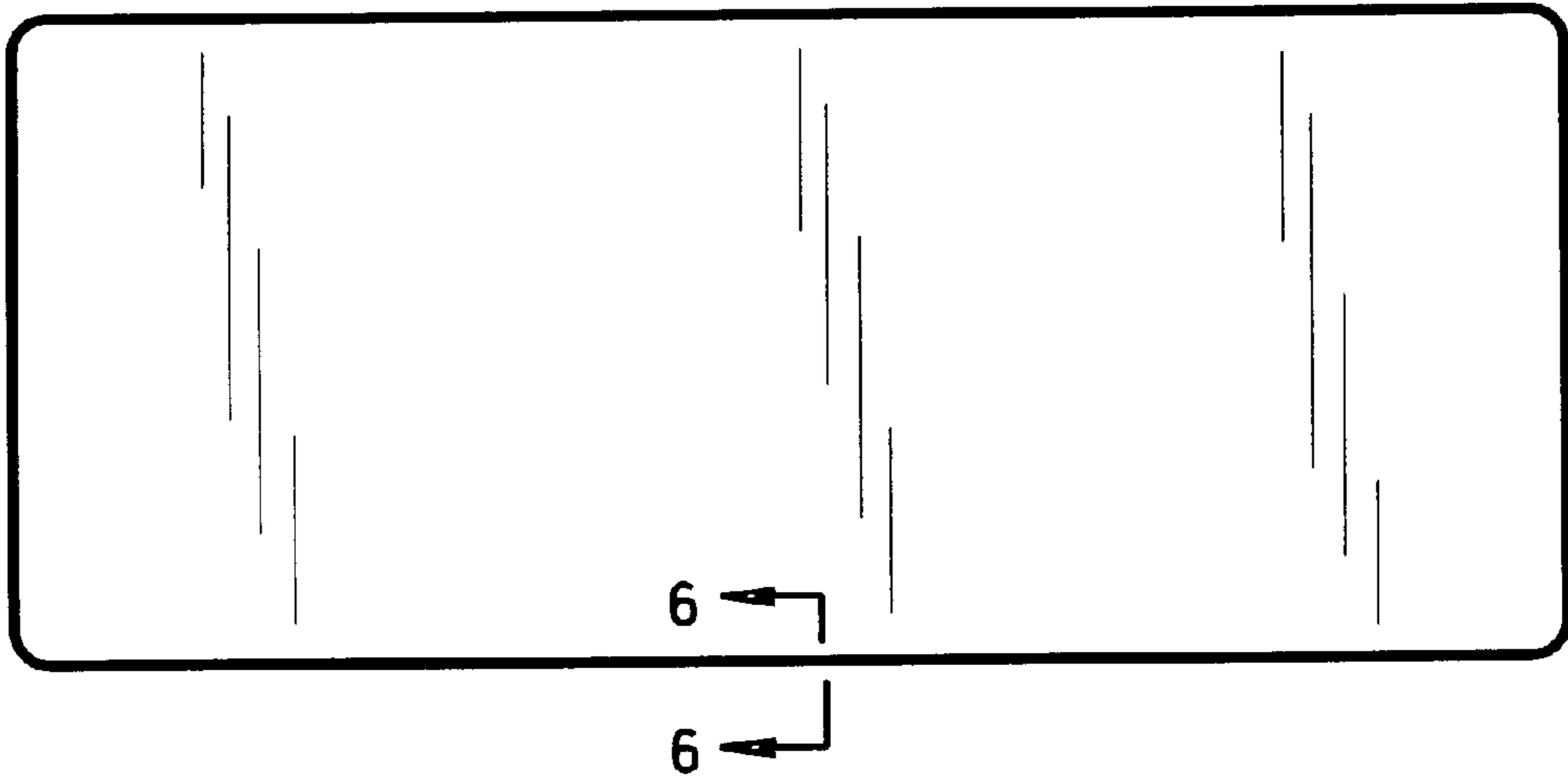


FIG. 4

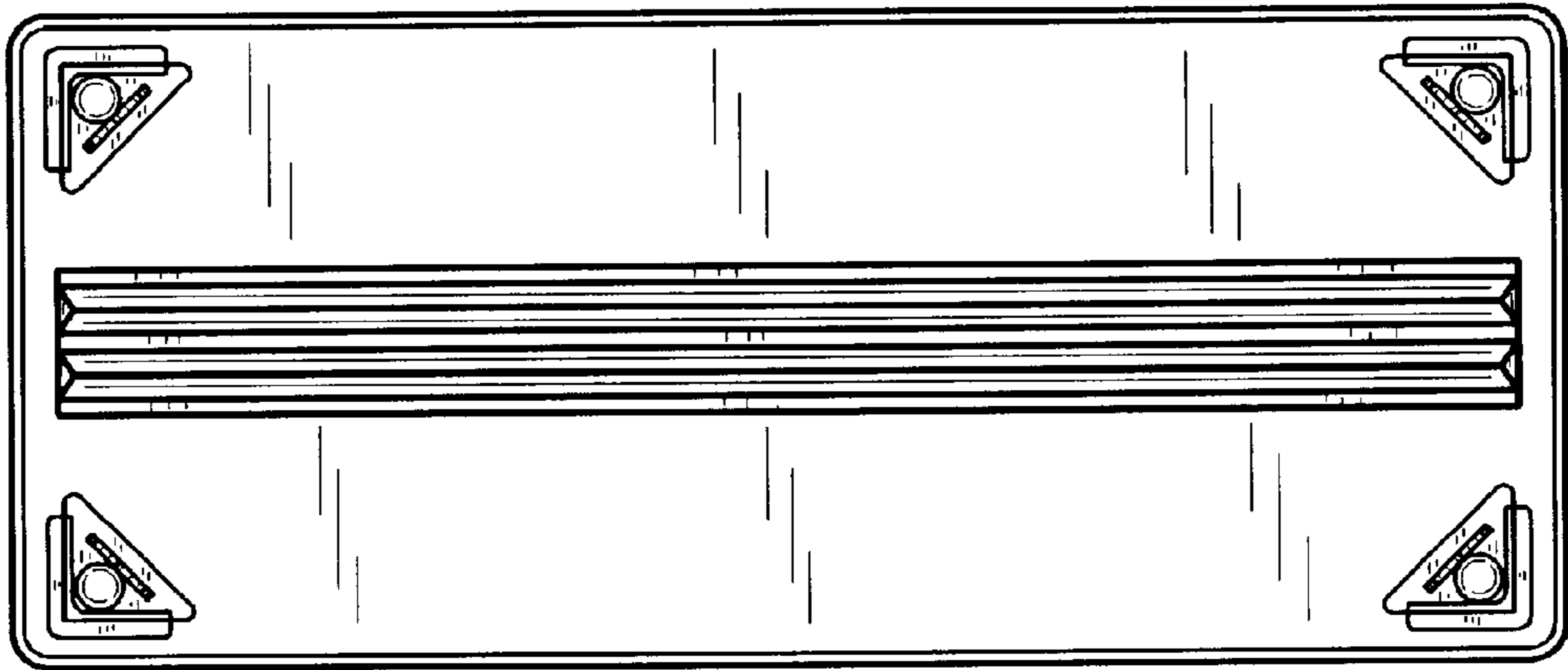


FIG. 5

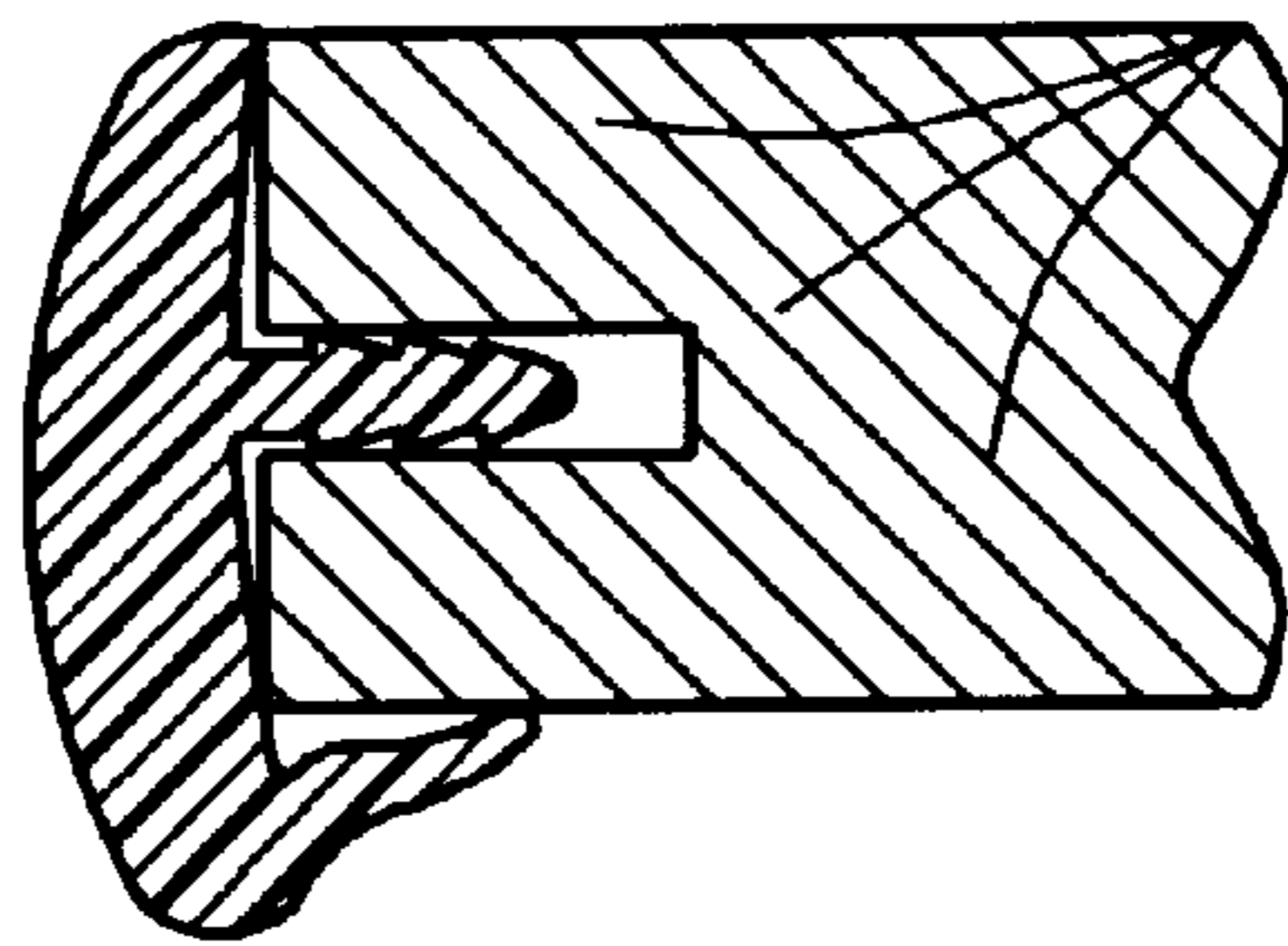


FIG. 6