

US00D432330S

United States Patent [19]

[11] **Patent Number: Des. 432,330**

Stettes et al.

[45] **Date of Patent: ** Oct. 24, 2000**

[54] **CABINET**

[75] Inventors: **Gregory Glen Stettes**, Pacific; **Pieter Wilhelmus Werner Bouwkamp**, University City; **Wells Stone Bearing**, St. Louis, all of Mo.

[73] Assignee: **Crane Co.**, Stamford, Conn.

[**] Term: **14 Years**

[21] Appl. No.: **29/107,258**

[22] Filed: **Jun. 30, 1999**

[51] **LOC (7) Cl.** **06-04**

[52] **U.S. Cl.** **D6/432**

[58] **Field of Search** D6/432-448; D18/3.1; D20/1, 4, 5; 312/109, 114, 138.1, 198, 204, 223.1, 223.2

[56] **References Cited**

U.S. PATENT DOCUMENTS

- D. 356,342 3/1995 Reese et al. D20/4
- D. 368,619 4/1996 Gerber D20/1 X
- D. 388,062 12/1997 Desiano et al. D14/308

OTHER PUBLICATIONS

- Zanussi Vending, *PRIMA*, Jan. 1993, pp. 1-2.
- Westomatic Vending Services Limited, *Sonata*, Apr. 1995, pp. 1-4.
- Xpresso, Inc., *Impressa X70*, 1998, pp. 1-2.
- Stentorfield, *Contour*, Apr. 1998, pp. 1-6.
- Stentorfield, *Profile*, Apr. 1998, pp. 1-6.
- Automatic Marketing Industries, Inc., *Coffee-Inn's® The Mocha Mart (Model MM-2C)*, undated, pp. 1.
- Cafection Inc. Enterprises, *Discover the Timeless Coffee Perfection of Avalon*, undated, pp. 1-5.
- Cafeja® coffee fresh®, *De lekkerste koffie door de beste ingrediënten en de modernste techniek*, undated, pp. 1-11.
- Cecilware Corporation, *When you think Cappuccino . . . think Cecilware!*, undated, pp. 1-6.
- Coffee Fresh International, LLC, *Coffee Fresh 1000*, undated, pp. 1-2.
- Coffee Fresh Sverig AB, *coffee fresh* www.coffeefresh.com, undated, pp. 1-4.
- Coffee-Inn's, *C·B· Always Freshly Brewed Cup·By·Cup·*, undated, pp. 1.

- Crane National Vendors, *Café System 7 Hot Beverage Table- Top Dispenser*, undated, pp. 1-2.
- D.E.S. Distribution Inc., *Compagno*, undated, pp. 1-2.
- Douwe Egberts, *Gallery 100 . De compact automaat voor altijd verse koffie.*, undated, pp. 1-2.
- Douwe Egberts, *Gallery 200. De stijlvolle automaat voor altijd verse koffie in vele variaties.*, undated, pp. 1-2.
- Filterfresh, *Filterfresh is always ready to serve you the perfect cup of coffee!*, undated, pp. 1-2.
- Rhea Vendors S.p.A., *P.C.M. The racing car for coffee*, undated, pp. 1-4.
- Saeco® Vending, *Saeco 10P Plus*, undated, pp. 1-4.
- Spengler Getränkemaschinen GmbH, *top FB 11 and IN 11 The New Generation of Tabletop Dispensers*, undated, pp. 1-2.
- Spengler Getränkemaschinen GmbH, *top FB 11 And IN 11 Das Einzigartige Geschmackserlebnis*, undated, pp. 1-2.
- Spengler Getränkemaschinen GmbH, *Office Line*, (English version), undated, pp. 1-2.
- Spengler Getränkemaschinen GmbH, *Office Line*, (German version) undated, pp. 1-2.
- The Sankey Unicafé, *A New Dimension In Fresh Brewed Coffee*, undated, pp. 1-2.
- Van Nelle, *Gallery 300 Vers, Gevarieerd. Volautomatisch.*, undated, pp. 1-3.
- Westomatic Vending Services Limited, *MONACO®*, undated, pp. 1-3.
- Zanussi Vending, *Dispenser*, undated, pp. 1-2.
- Zarussi Vending, *Firenze*, undated, pp. 1-2.

Primary Examiner—Cathron B. Matta
Attorney, Agent, or Firm—Senniger, Powers, Leavitt & Roedel

[57] **CLAIM**

The ornamental design for a cabinet, as shown and described.

DESCRIPTION

- FIG. 1 is a perspective view of a cabinet showing our new design;
- FIG. 2 is a front elevational view thereof;
- FIG. 3 is a rear elevational view thereof;
- FIG. 4 is a right side elevational view thereof;
- FIG. 5 is a left side elevational view thereof;
- FIG. 6 is a top plan view thereof; and,
- FIG. 7 is a bottom plan view thereof.

1 Claim, 7 Drawing Sheets

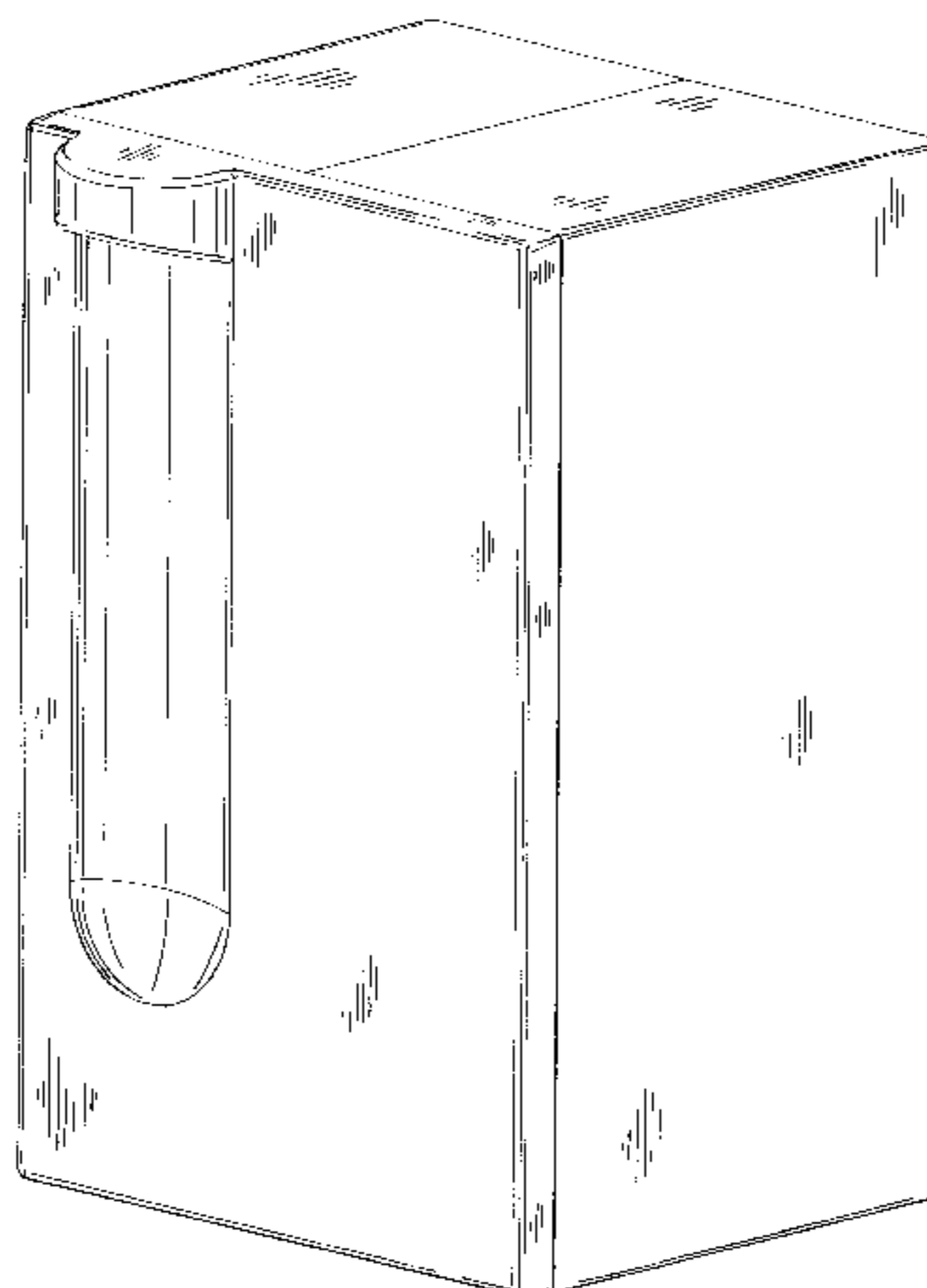


FIG. 1

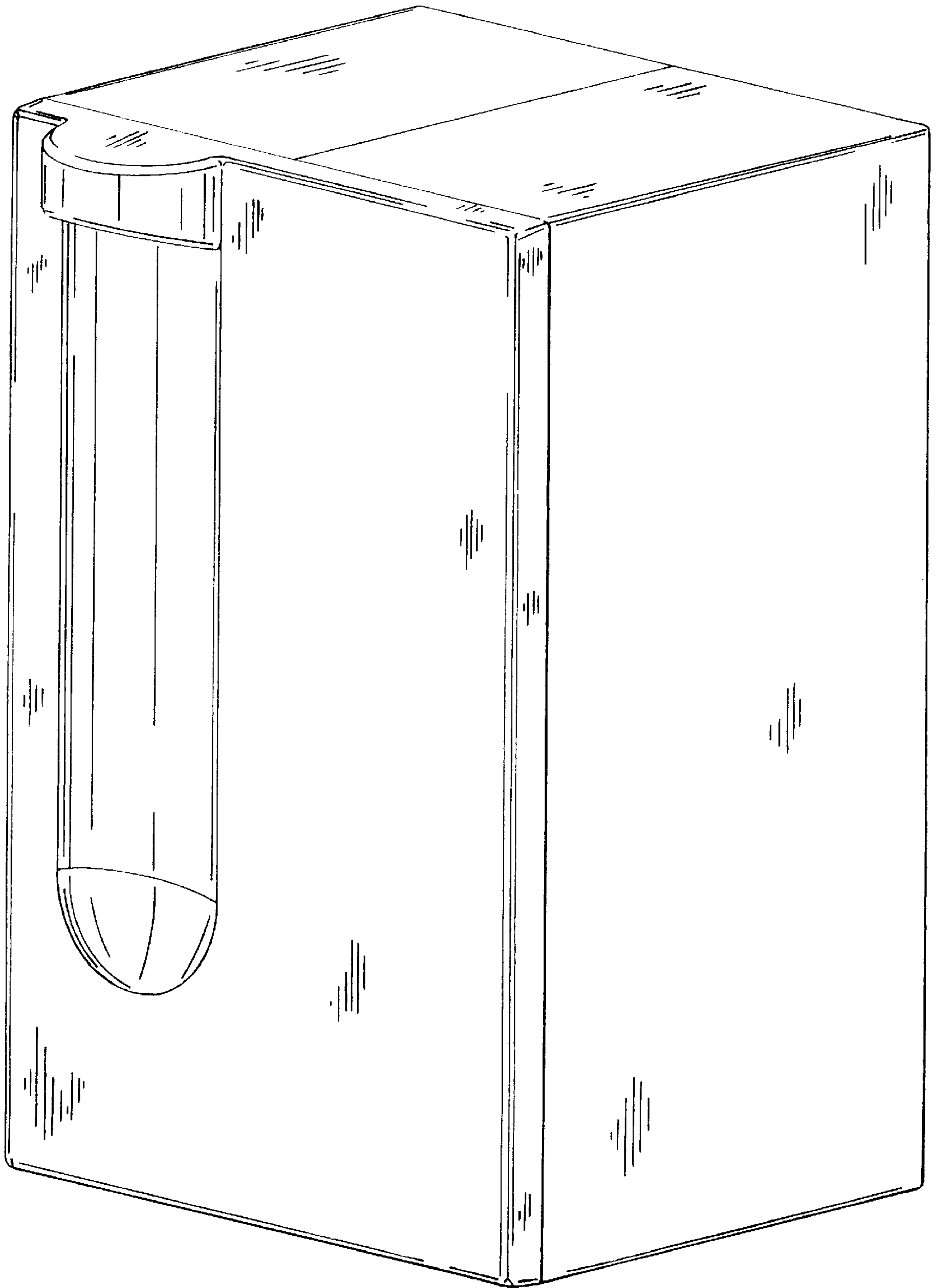


FIG. 2

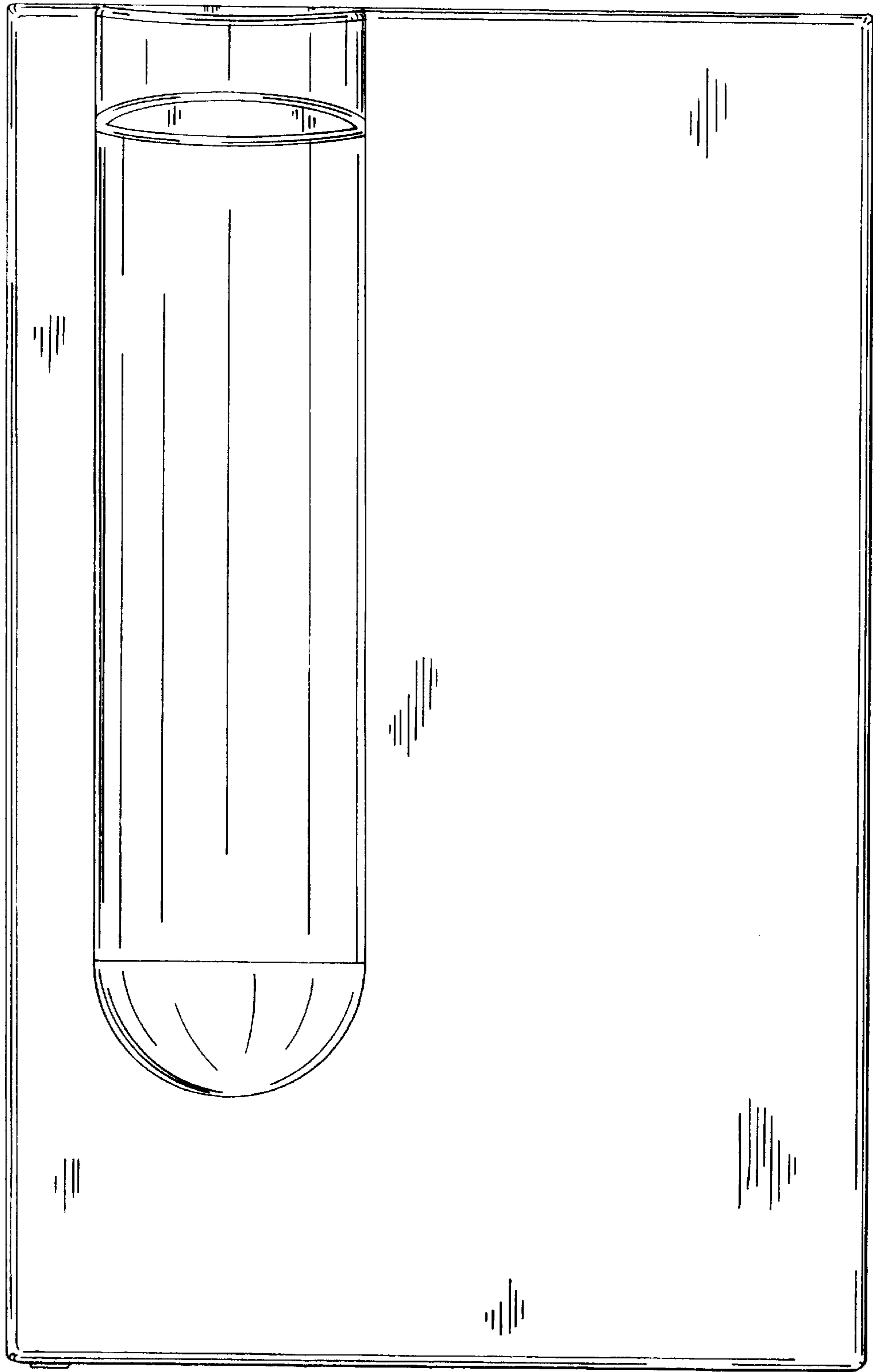


FIG. 3

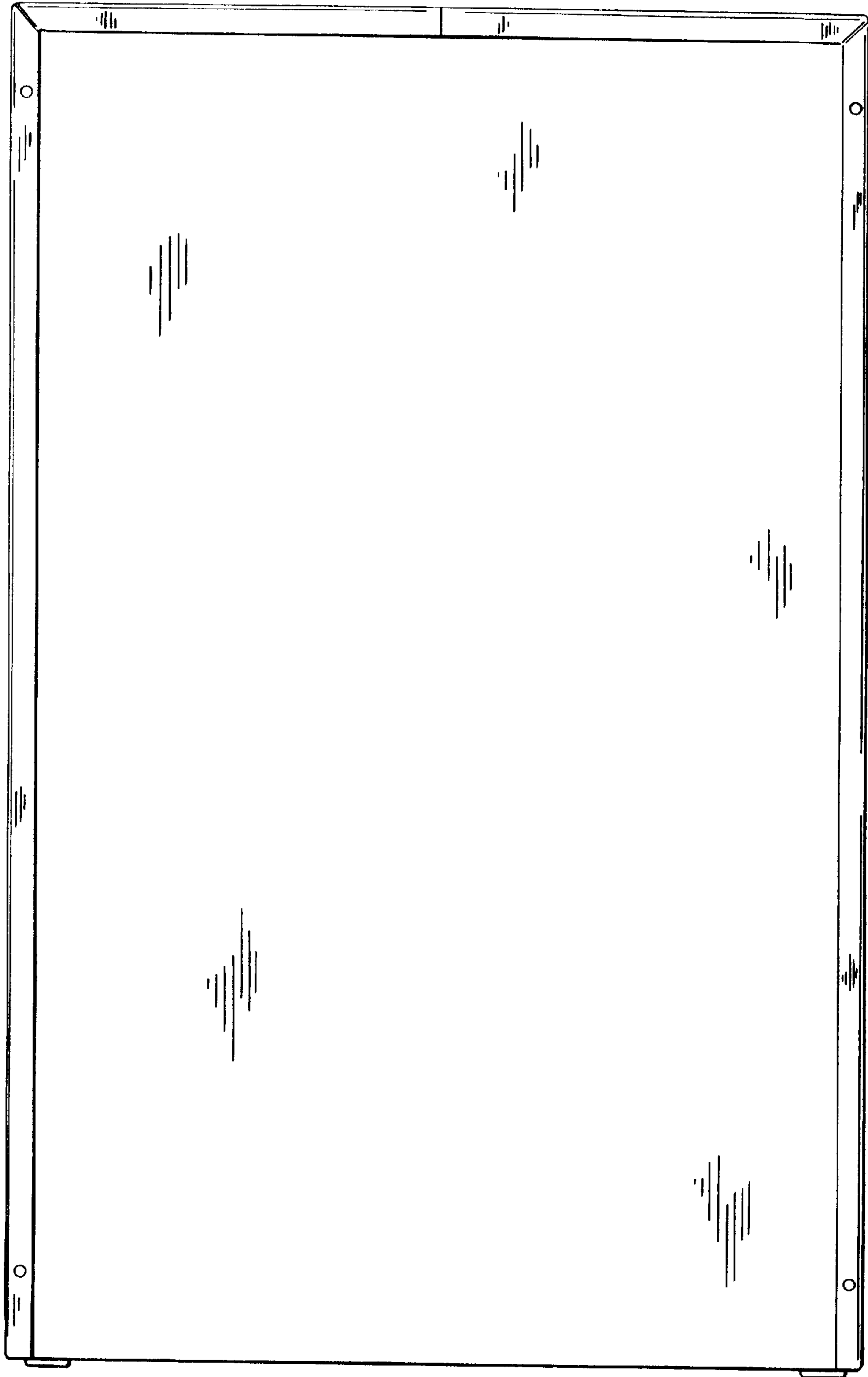


FIG. 4

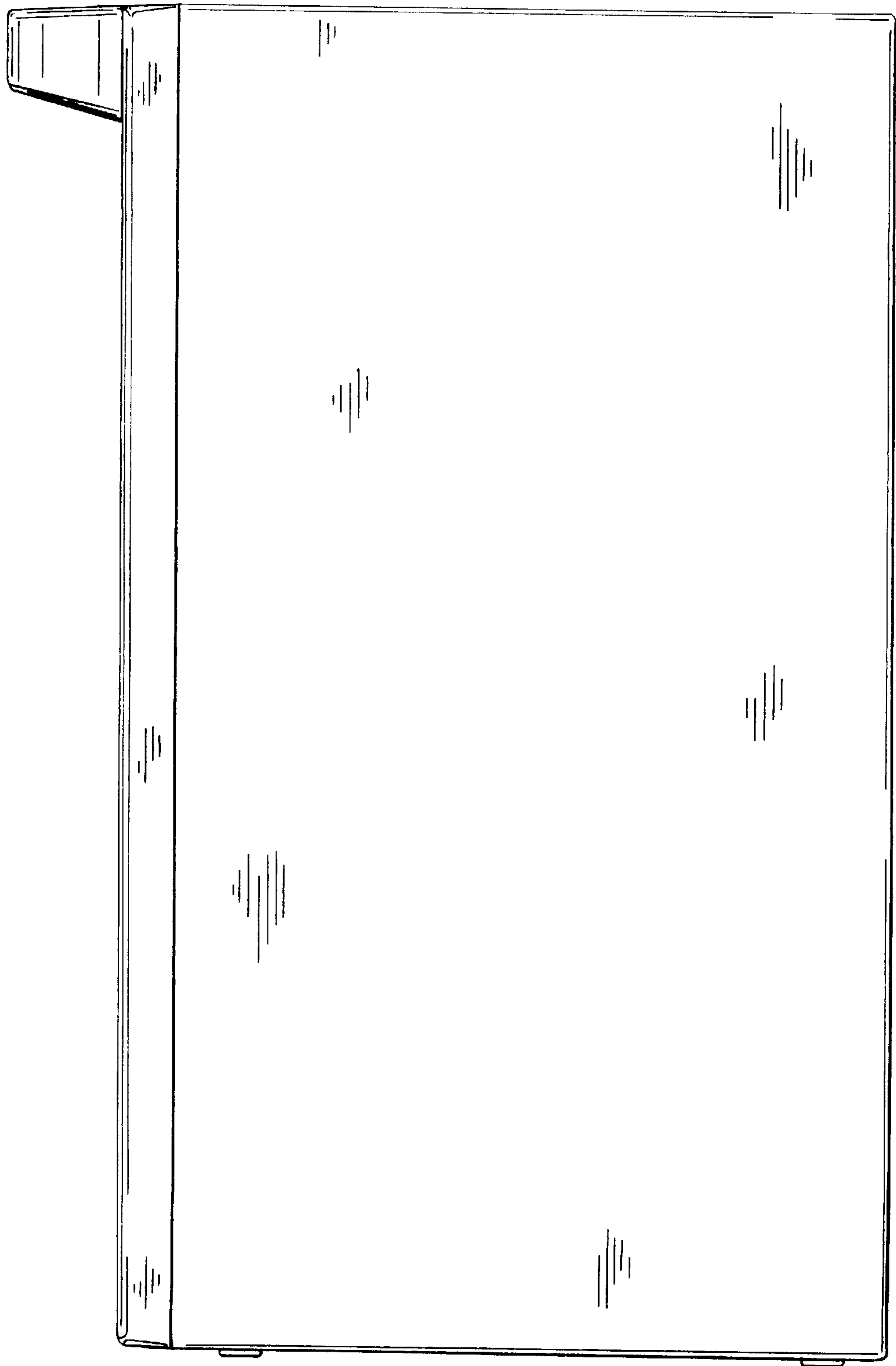


FIG. 5

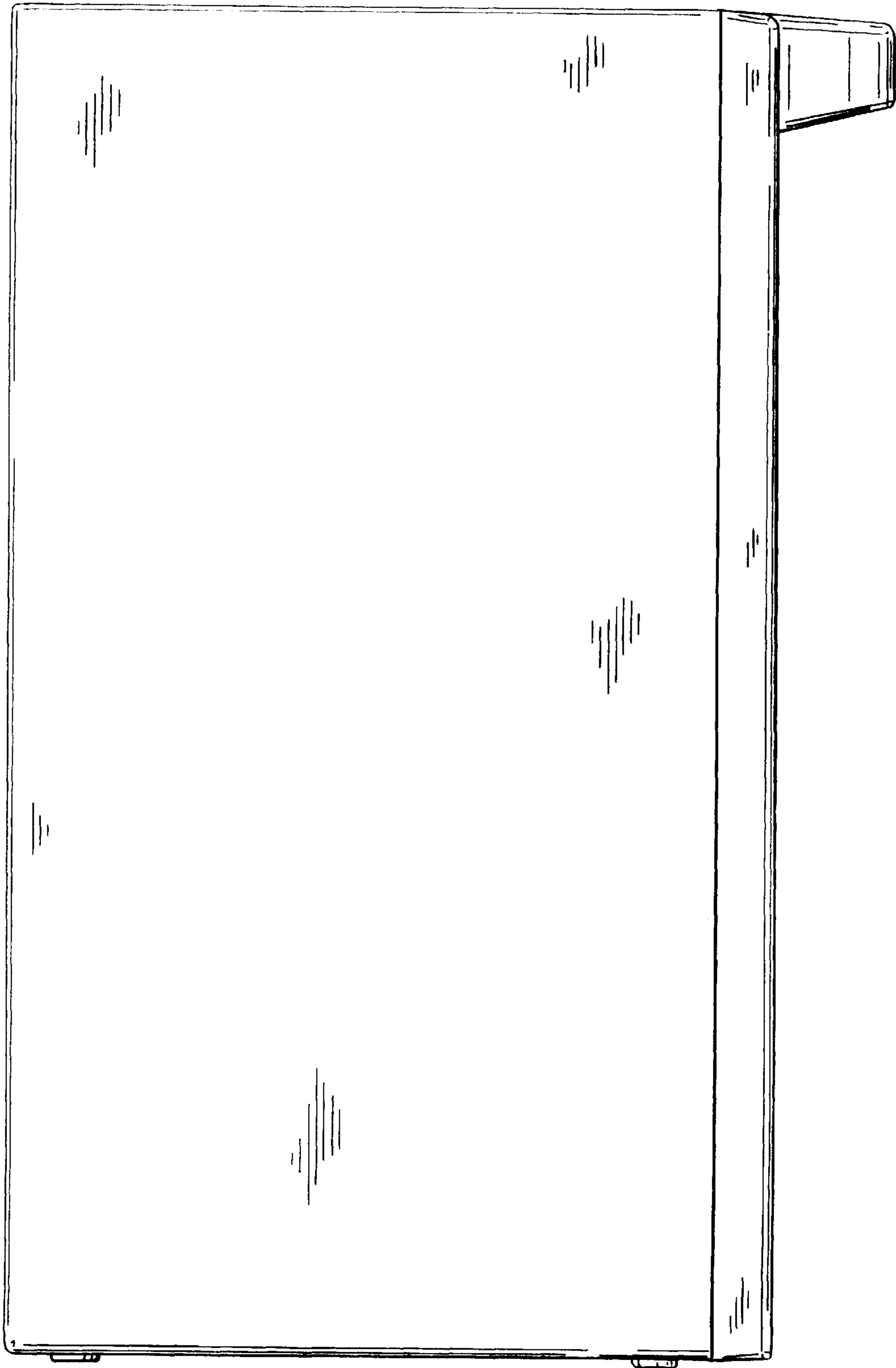


FIG. 6

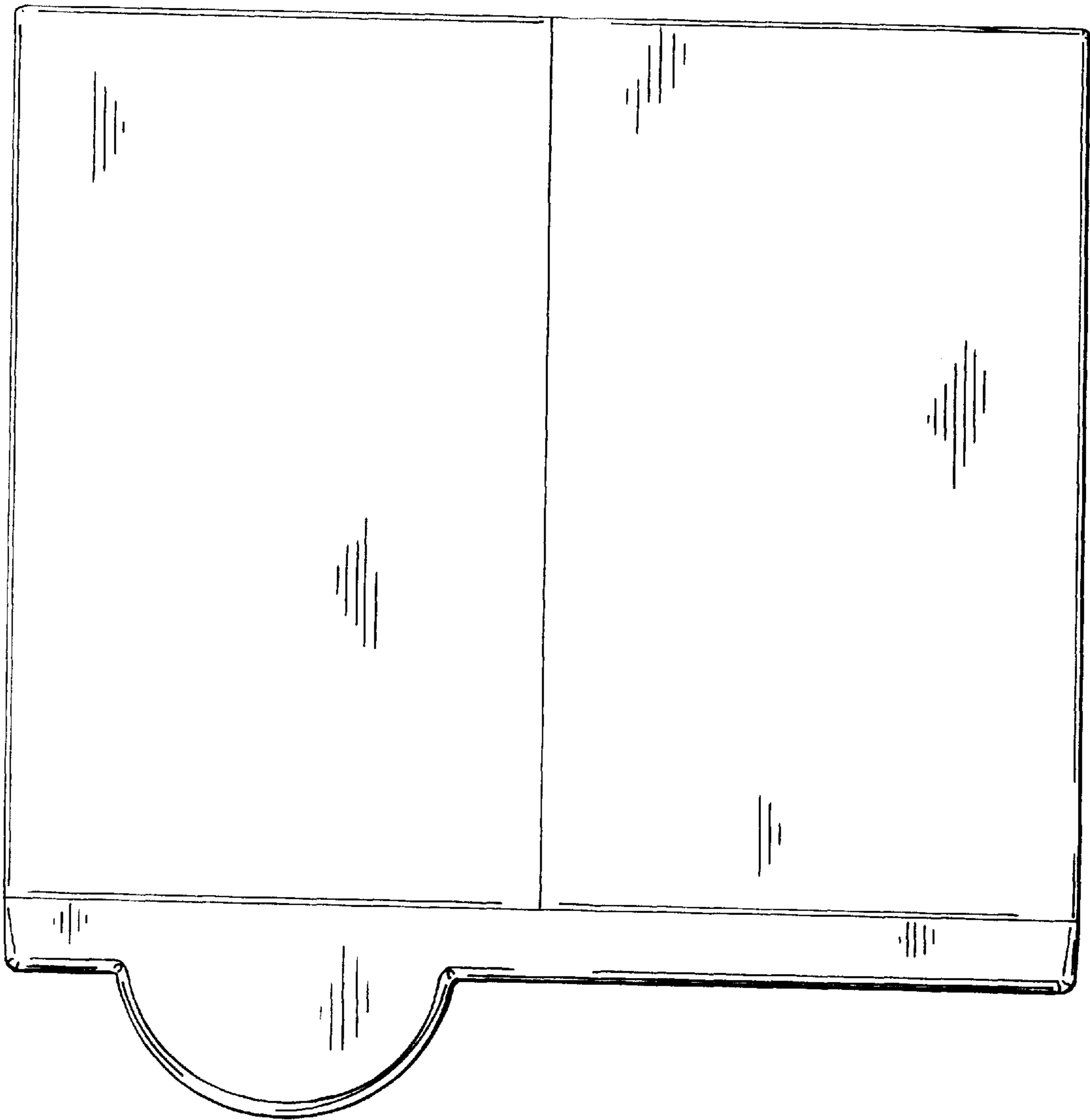


FIG. 7

