

US00D432329S

United States Patent [19] Chang

[11] **Patent Number: Des. 432,329**

[45] **Date of Patent: ** Oct. 24, 2000**

[54] **DRAWING DESK**

[76] Inventor: **Chien-Kuo Chang**, Fl., 10-2, No. 447,
Sec. 3, Wen-Hsin Rd., Taichung, Taiwan

[**] Term: **14 Years**

[21] Appl. No.: **29/108,477**

[22] Filed: **Jul. 29, 1999**

[51] **LOC (7) Cl.** **06-03**

[52] **U.S. Cl.** **D6/420; D6/480**

[58] **Field of Search** D6/480-489, 495,
D6/511, 422, 426, 428, 397, 420, 338;
108/25, 50.11, 50.01, 38, 153.1, 155, 156,
157.1, 161; 312/194-197, 208.1, 204; 248/188,
188.1

[56] **References Cited**

U.S. PATENT DOCUMENTS

- D. 274,586 7/1984 Cope et al. D6/420
- D. 312,928 12/1990 Scheffers D6/429

- D. 324,962 3/1992 Meeker D6/420
- D. 395,772 7/1998 Malvasi D6/480
- D. 423,254 4/2000 Alcalá et al. D6/484

Primary Examiner—Janice E. Seeger
Attorney, Agent, or Firm—Rosenberg, Klein & Lee

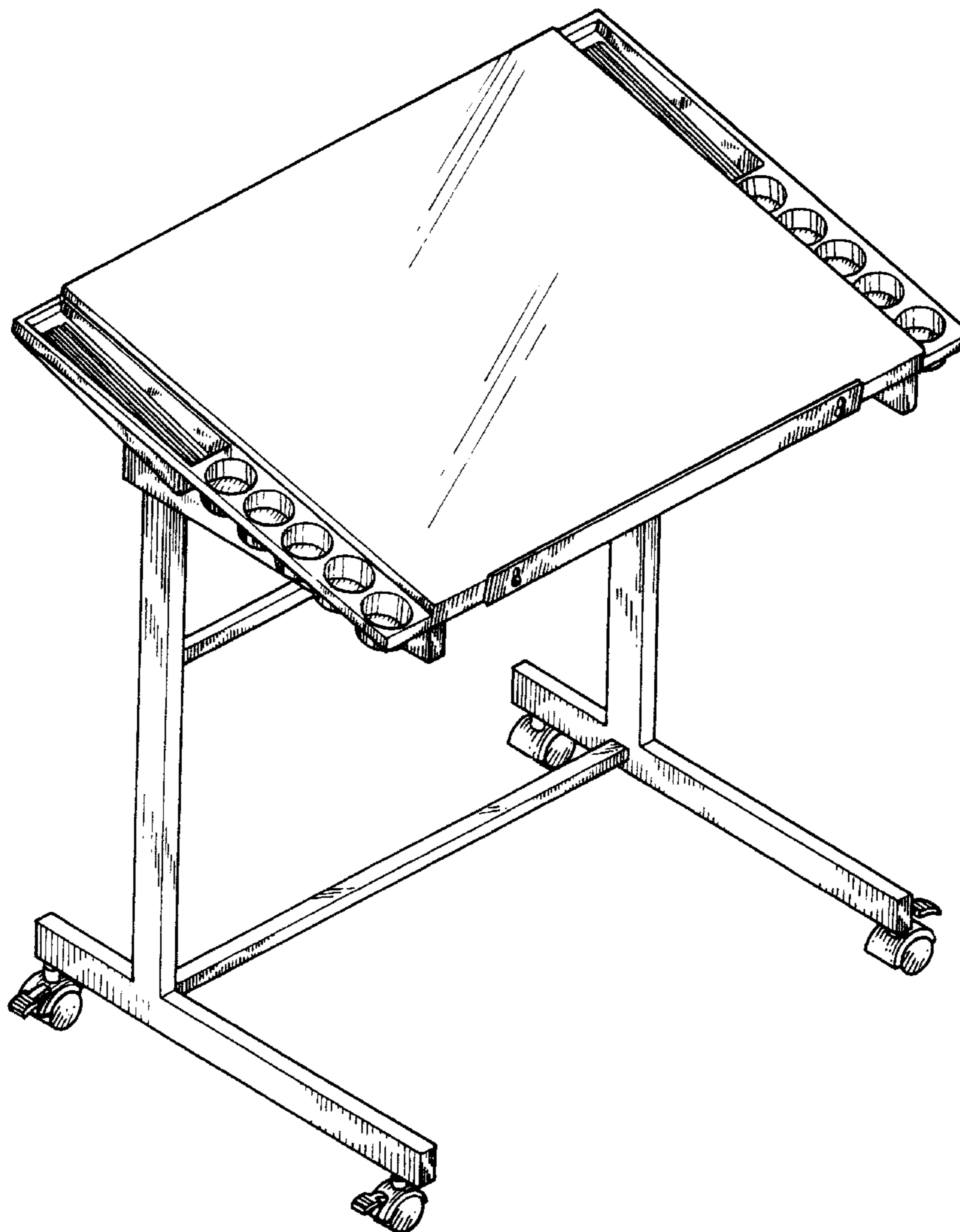
[57] **CLAIM**

The ornamental design for a drawing desk, as shown and described.

DESCRIPTION

FIG. 1 is a perspective view of drawing desk showing my new design;
FIG. 2 is a front elevational view thereof;
FIG. 3 is a rear elevational view thereof;
FIG. 4 is a left side elevational view thereof; with the right side being a mirror image of that shown;
FIG. 5 is a top side elevational view thereof; and,
FIG. 6 is a bottom side elevational view thereof;

1 Claim, 6 Drawing Sheets



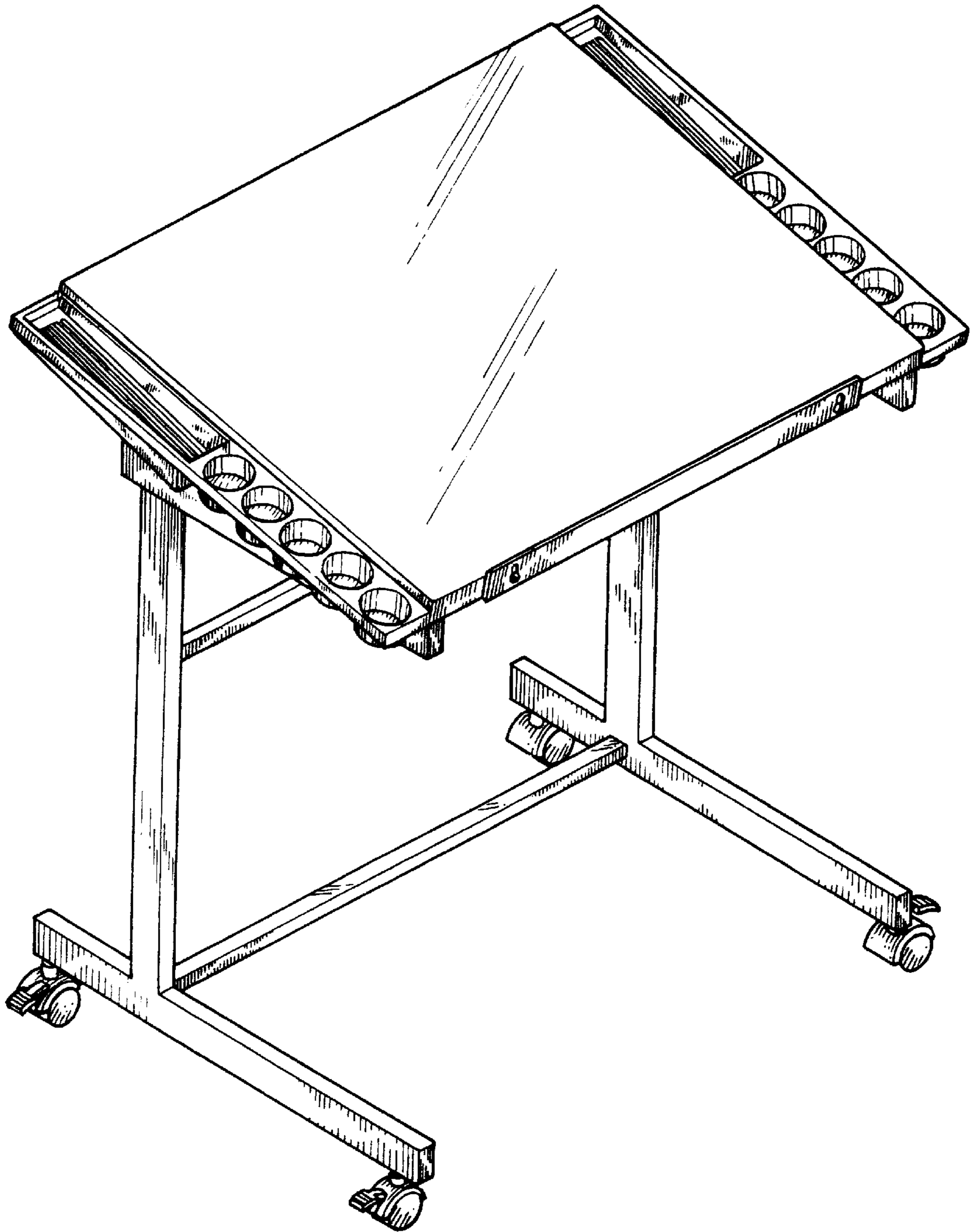


FIG. 1

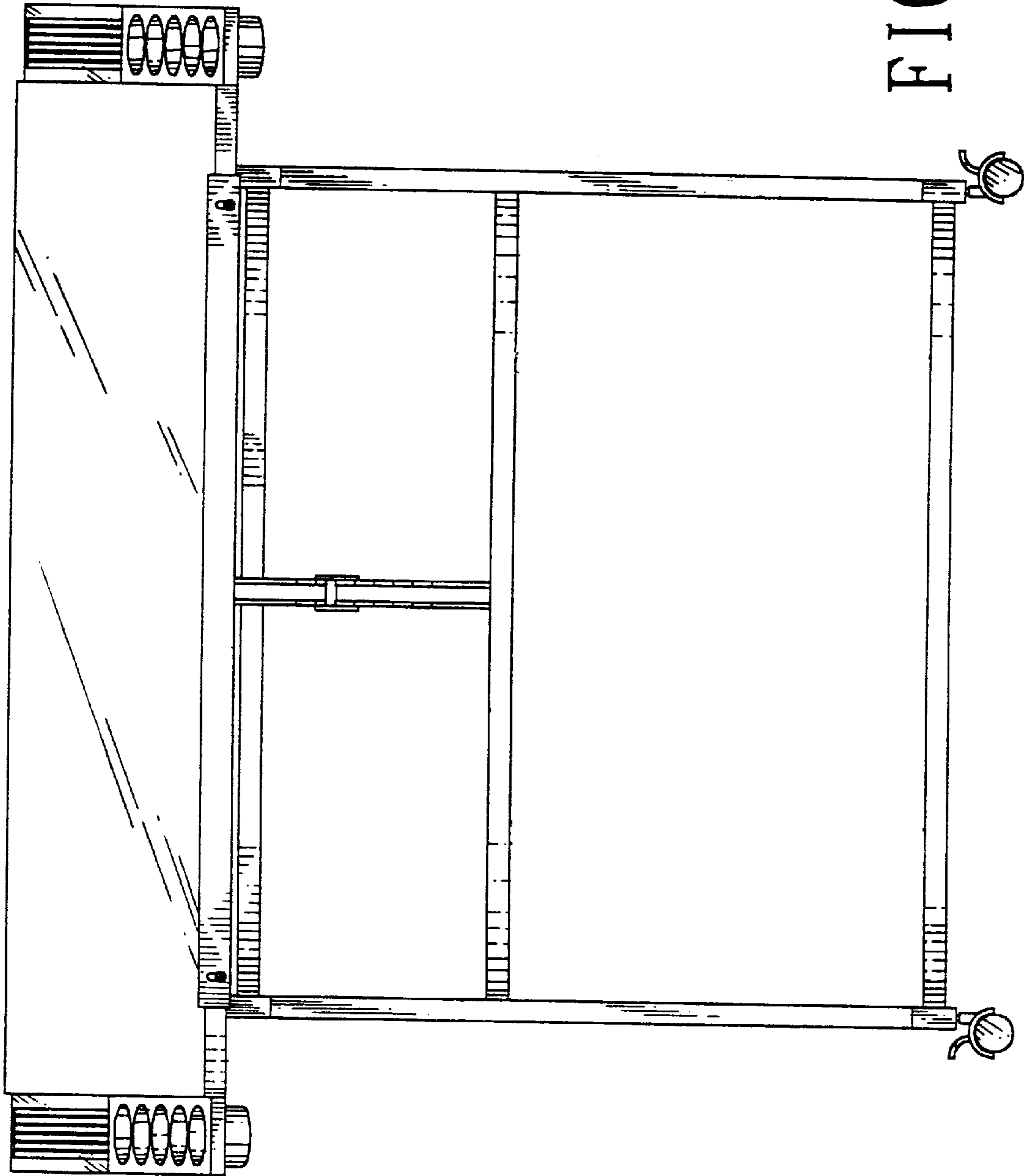


FIG. 2

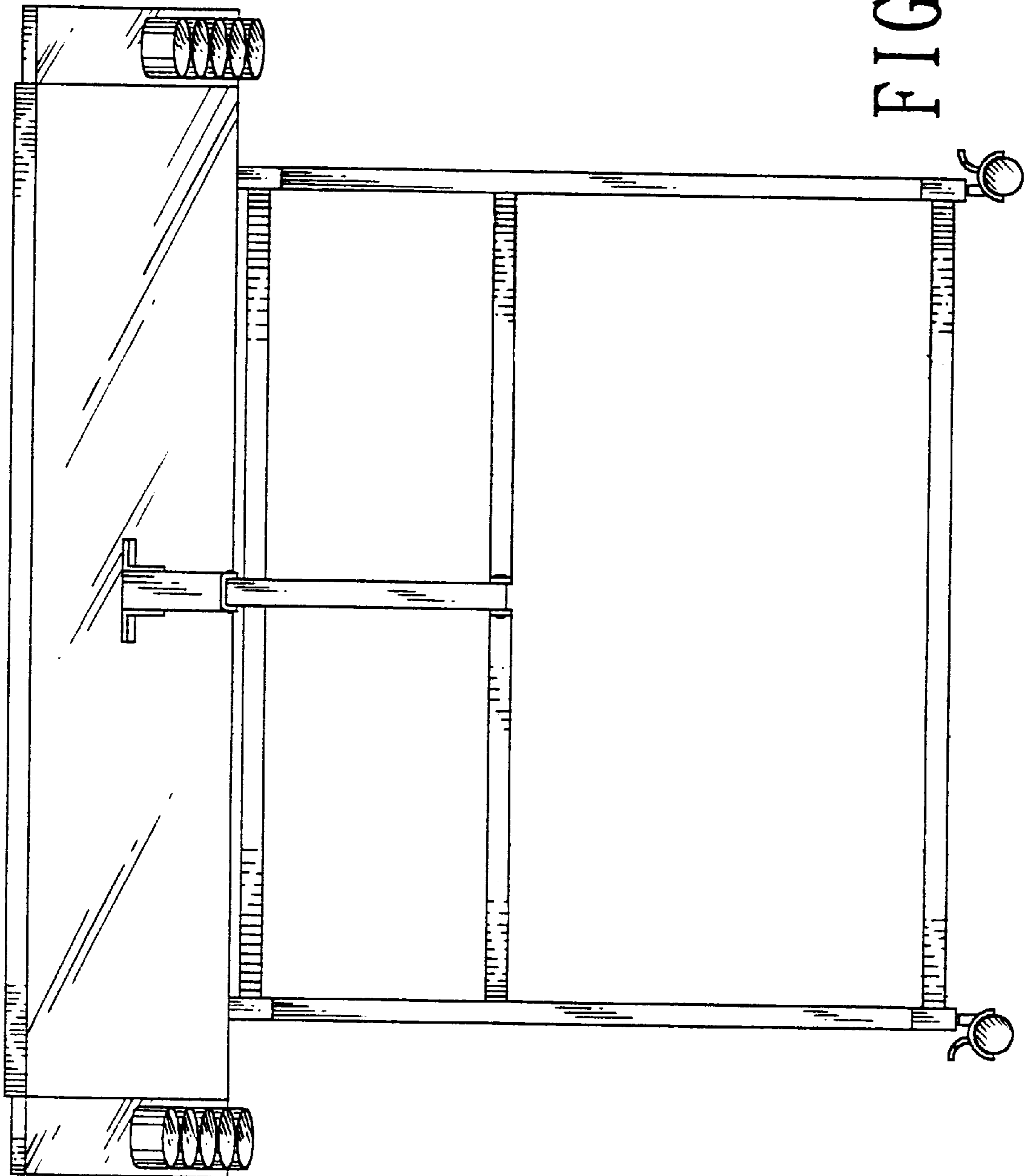


FIG. 3

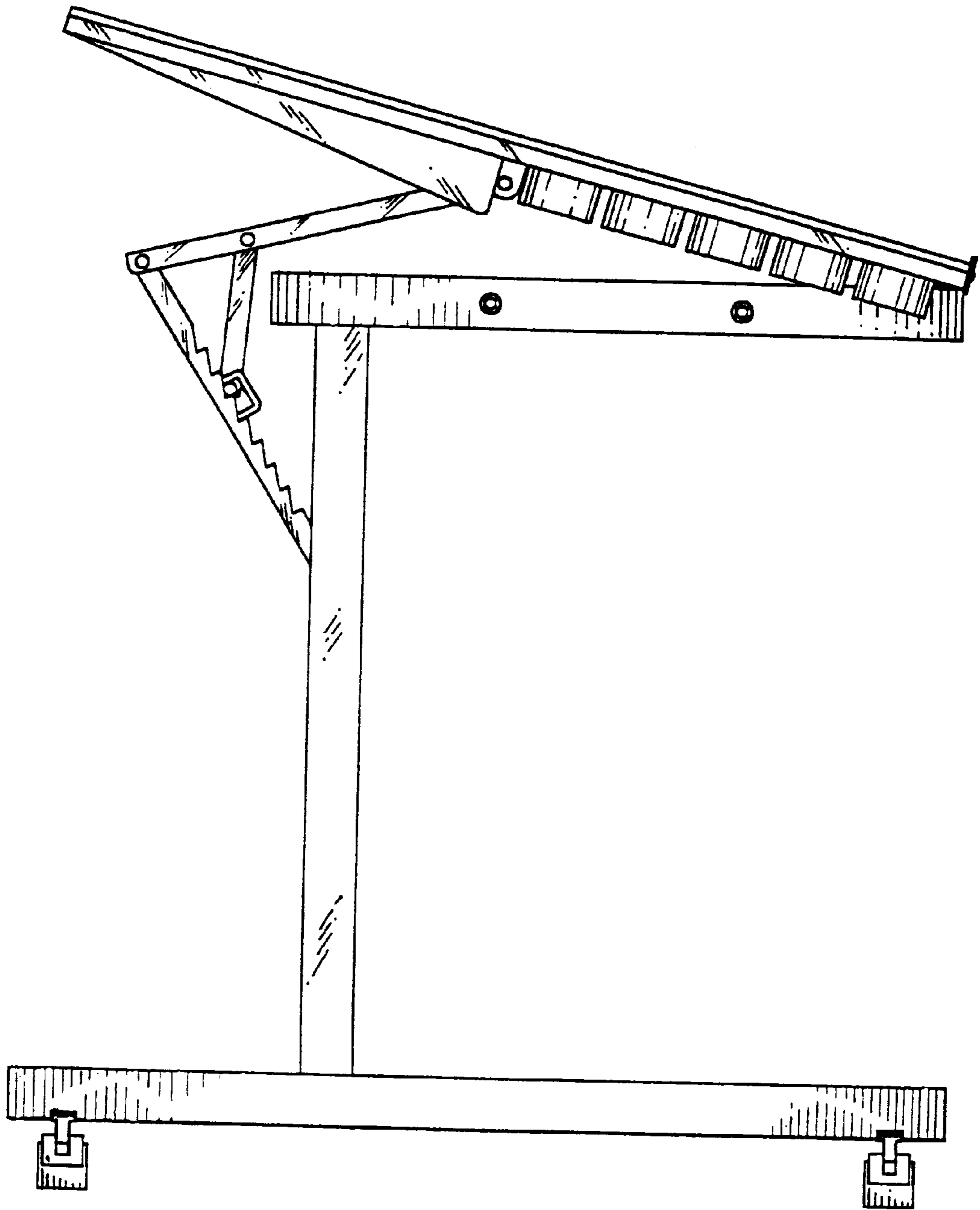


FIG. 4

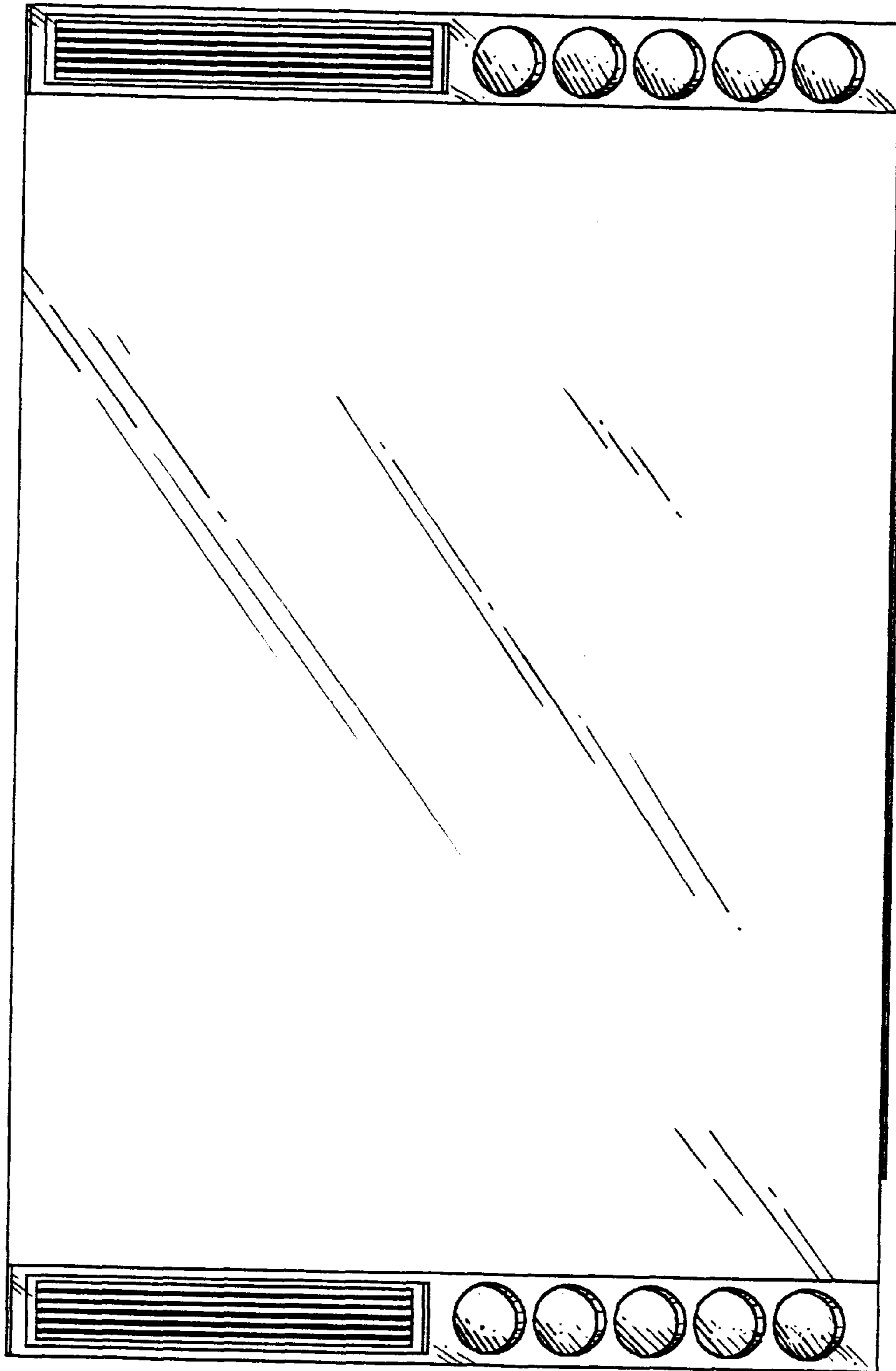


FIG. 5

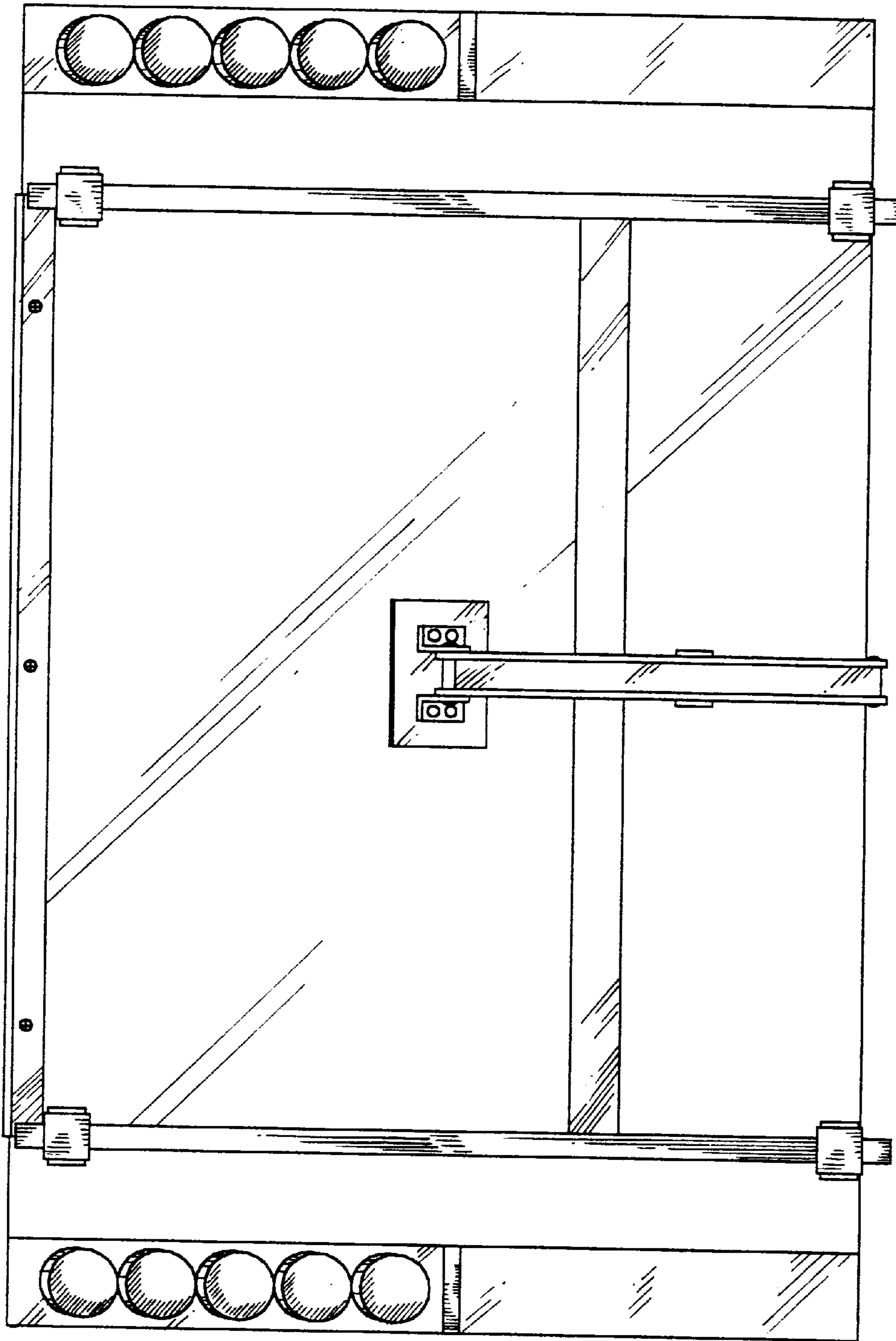


FIG. 6