



US00D432324S

United States Patent [19]
Clymer et al.

[11] **Patent Number: Des. 432,324**

[45] **Date of Patent: ** Oct. 24, 2000**

[54] **ROCKING CHAIR**

1,497,426 6/1924 Arnold 297/271.6
2,311,482 2/1943 Smith 297/281

[76] Inventors: **Jerry Ralph Clymer; Alexa Irene Clymer**, both of 11106 E. Becker La., Scottsdale, Ariz. 85259

Primary Examiner—Doris V. Coles
Assistant Examiner—Mimosa De
Attorney, Agent, or Firm—Kay Lyn Schwartz; Gardere & Wynne, L.L.P.

[**] Term: **14 Years**

[21] Appl. No.: **29/110,111**

[57] **CLAIM**

[22] Filed: **Aug. 31, 1999**

The ornamental design for a rocking chair, as shown and described.

[51] **LOC (7) Cl.** **06-01**

DESCRIPTION

[52] **U.S. Cl.** **D6/348**

[58] **Field of Search** D6/334, 335, 336,
D6/348, 381, 500, 501, 502; D21/412;
297/258.1, 271.6, 232

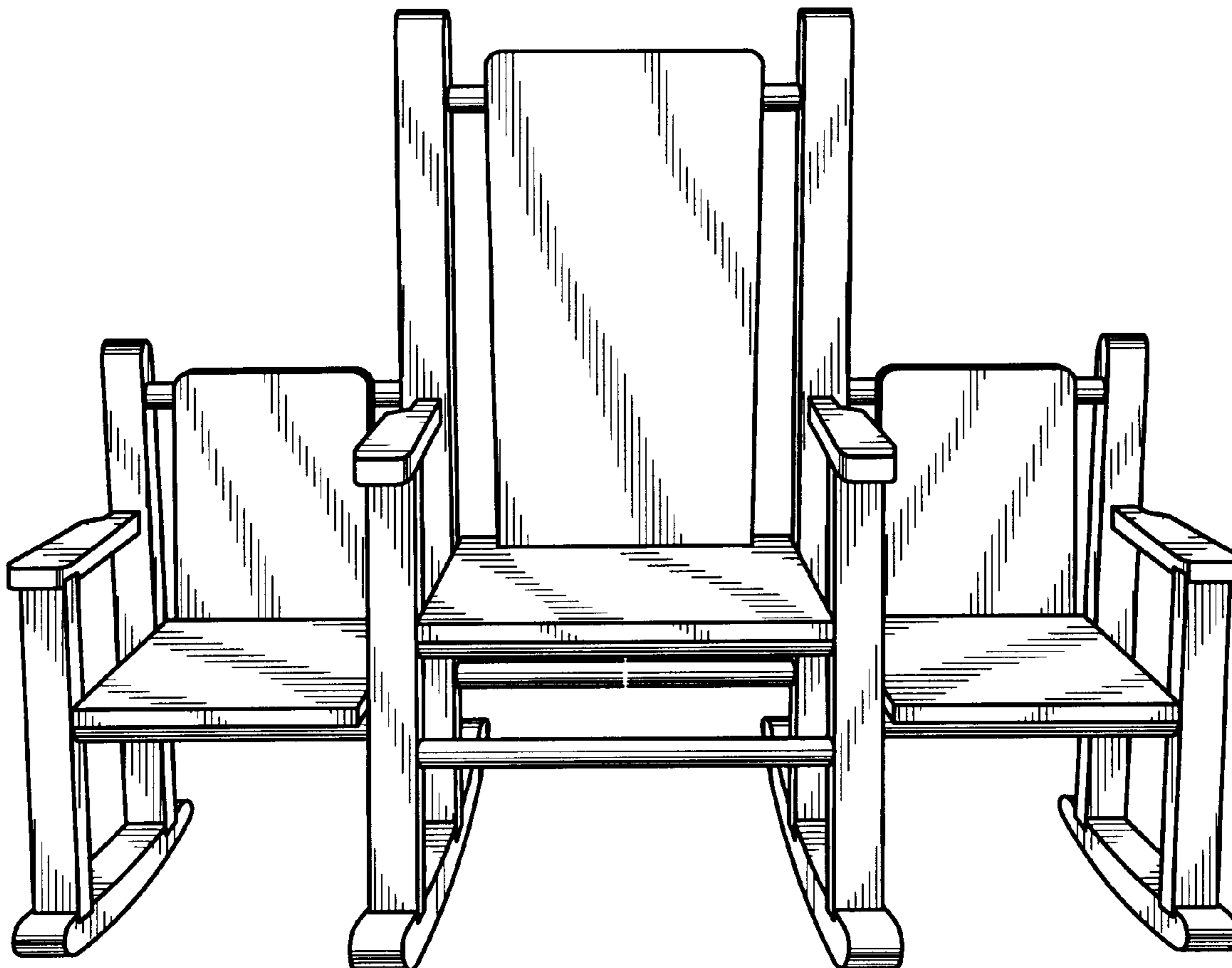
FIG. 1 is a front perspective view of a rocking chair of our new design;
FIG. 2 is a rear elevation view thereof;
FIG. 3 is a left end elevation view thereof;
FIG. 4 is a right end elevation view thereof;
FIG. 5 is a top view thereof; and,
FIG. 6 is a bottom view thereof.

[56] **References Cited**

U.S. PATENT DOCUMENTS

D. 67,482 6/1925 Wurdack D6/348
933,336 9/1909 Peters 297/32

1 Claim, 2 Drawing Sheets



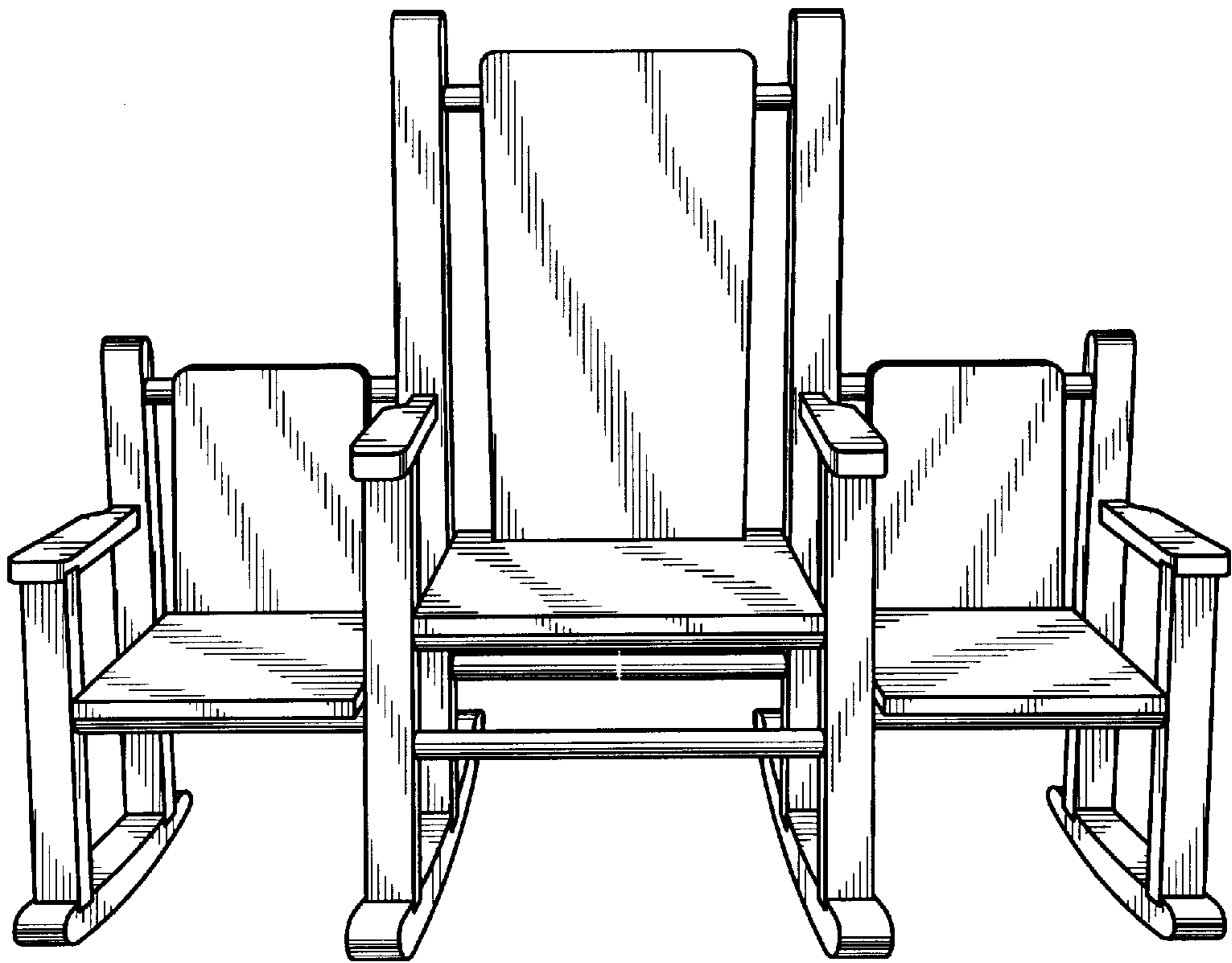


Fig.1

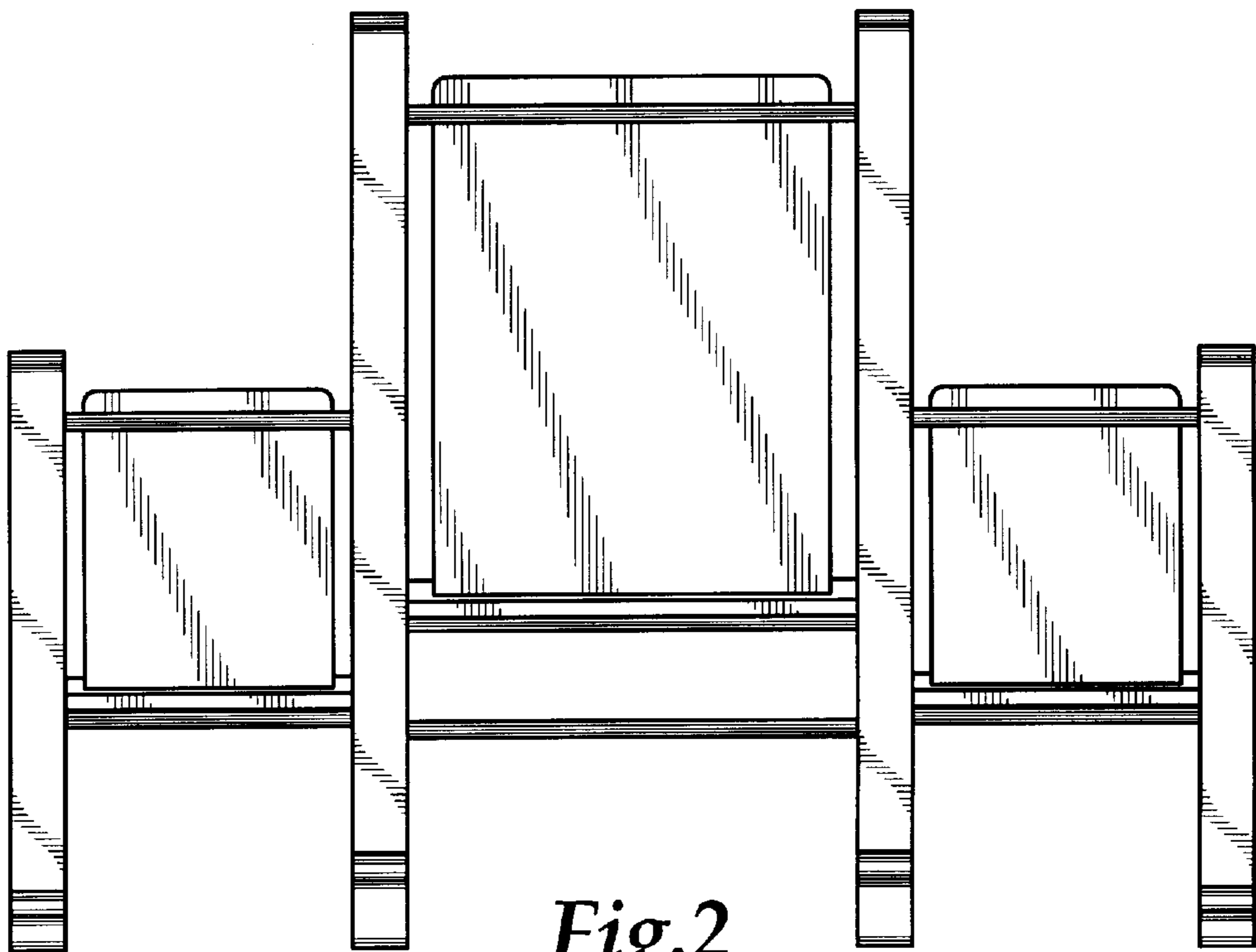


Fig.2

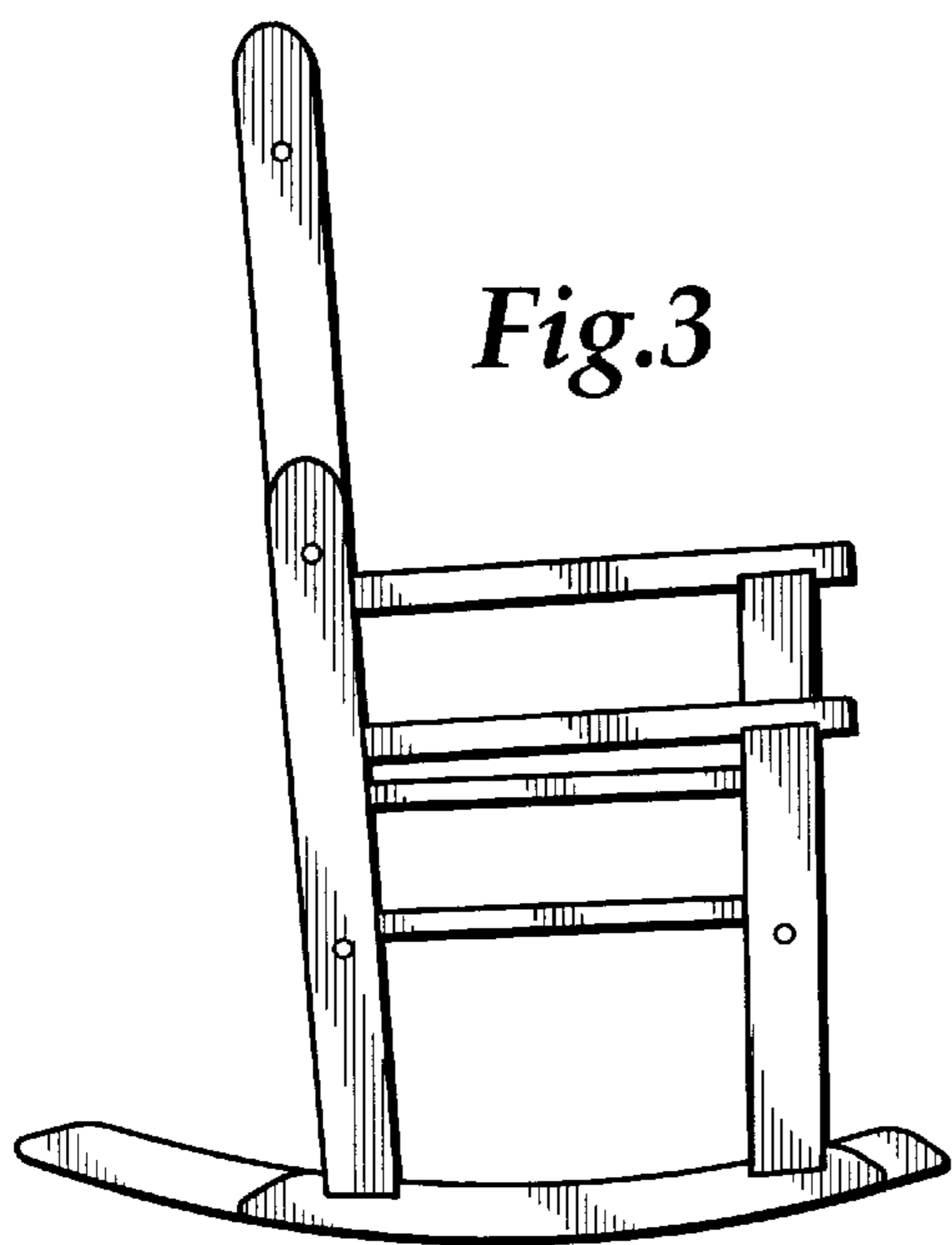


Fig.3

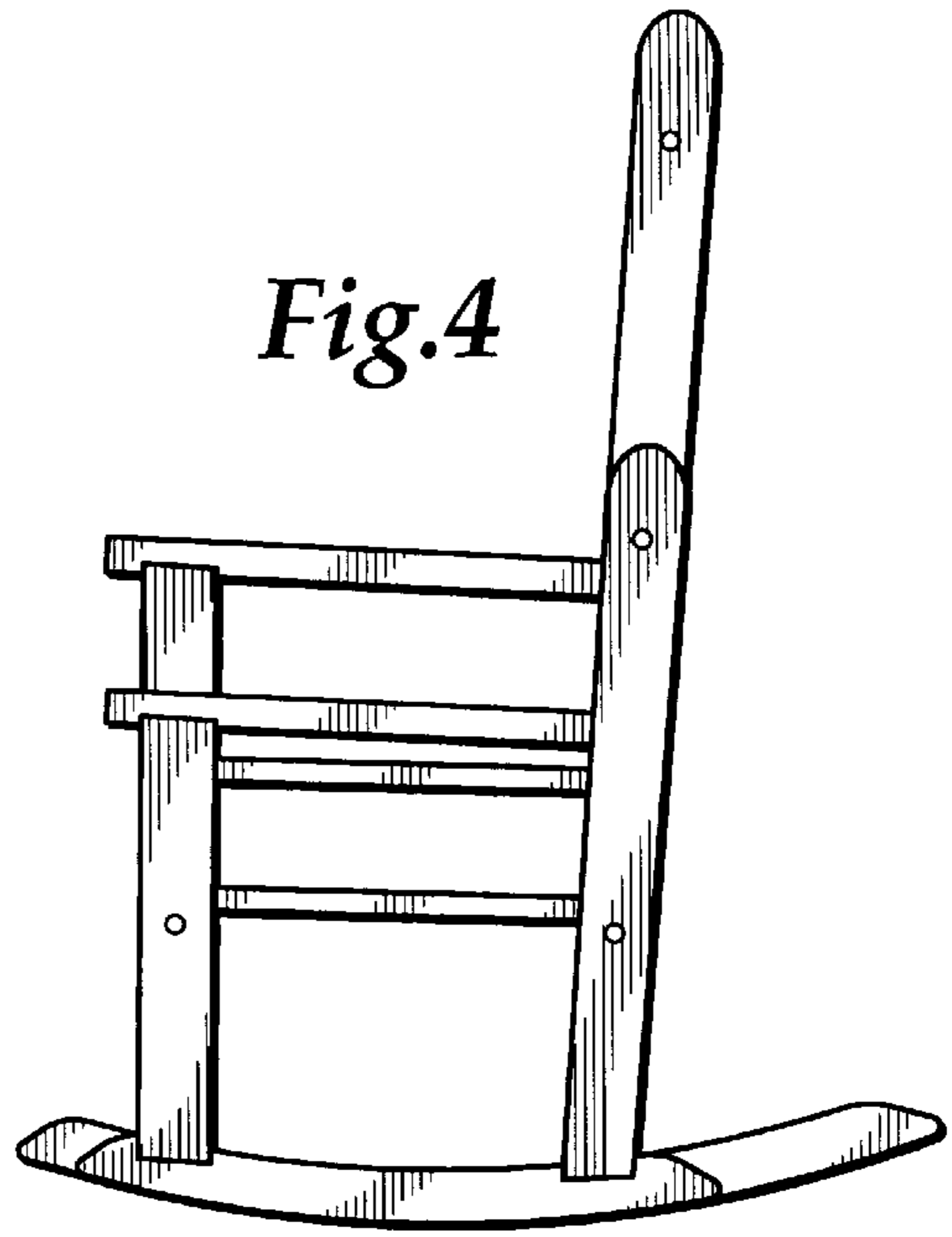


Fig.4

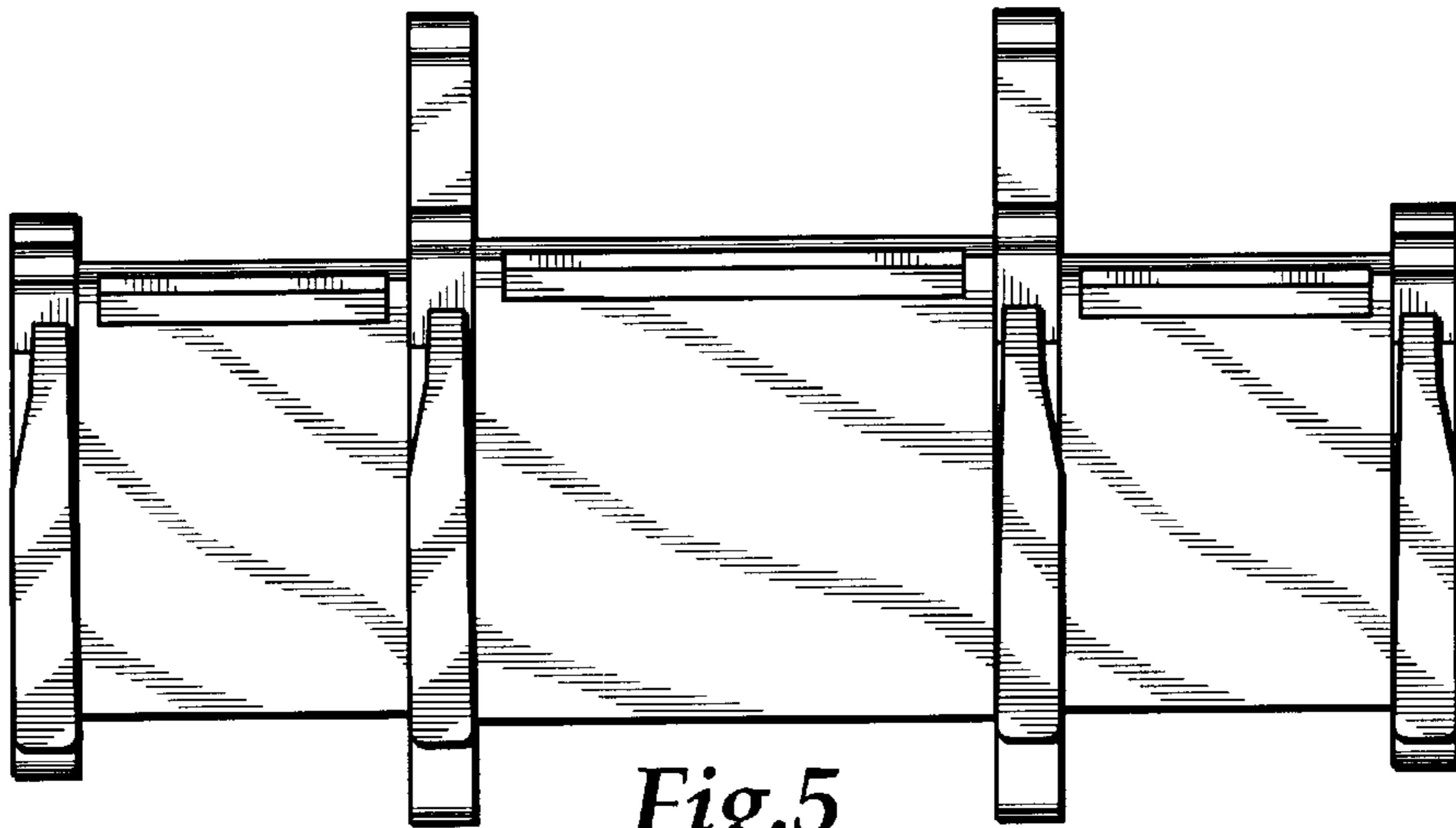


Fig.5

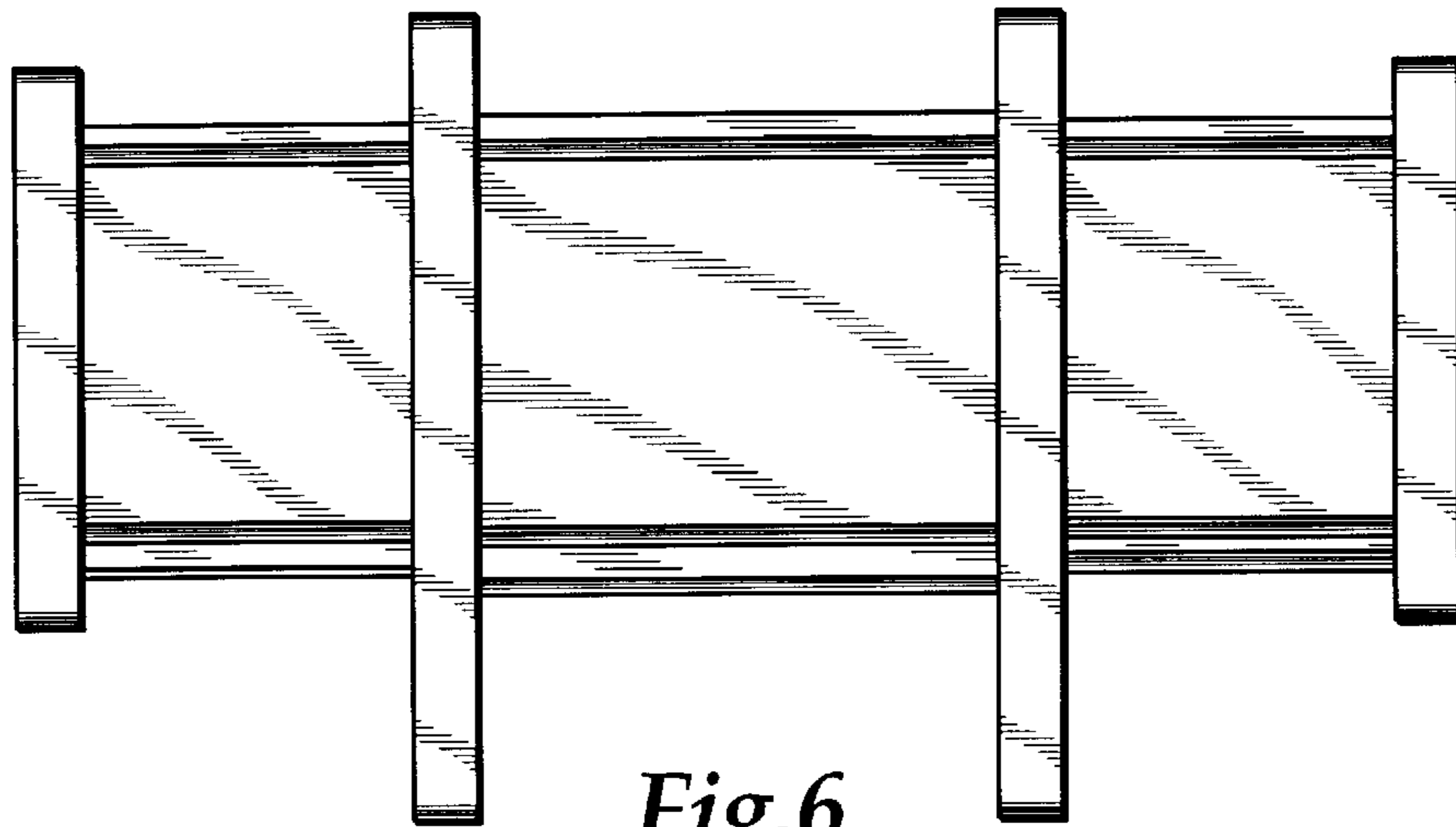


Fig.6