



US00D432317S

**United States Patent** [19]  
**Graham**

[11] **Patent Number: Des. 432,317**

[45] **Date of Patent: \*\* Oct. 24, 2000**

[54] **GARMENT HANGER**

[76] Inventor: **David C. Graham**, 4 LaJolla La.,  
Annandale, N.J. 08801

[\*\*] Term: **14 Years**

[21] Appl. No.: **29/087,352**

[22] Filed: **Apr. 29, 1998**

[51] **LOC (7) Cl.** ..... **06-08**

[52] **U.S. Cl.** ..... **D6/318; D6/319**

[58] **Field of Search** ..... **D6/318, 319, 326;**  
**211/113; 223/88, 90, 91, 92, 93, 95**

[56] **References Cited**

**U.S. PATENT DOCUMENTS**

- 1,867,614 7/1932 Cuscaden .
- 2,250,245 7/1941 Angove .
- 2,686,620 8/1954 Waldman .
- 2,761,599 9/1956 Lancaster .
- 2,796,206 6/1957 Schwartz .
- 2,886,223 5/1959 Levin .
- 3,409,191 11/1968 Fuss .
- 3,651,999 3/1972 Fiocca .
- 4,638,931 1/1987 Rieser .
- 5,038,979 8/1991 Traylor .

- 5,255,831 10/1993 Bellamy .
- 5,526,968 6/1996 Larson .
- 5,645,200 7/1997 McDowell et al. .
- 5,664,709 9/1997 Graham .

**FOREIGN PATENT DOCUMENTS**

WO 97/34517 9/1997 WIPO .

*Primary Examiner*—B. J. Bullock  
*Attorney, Agent, or Firm*—Smith, Gambrell & Russell, LLP

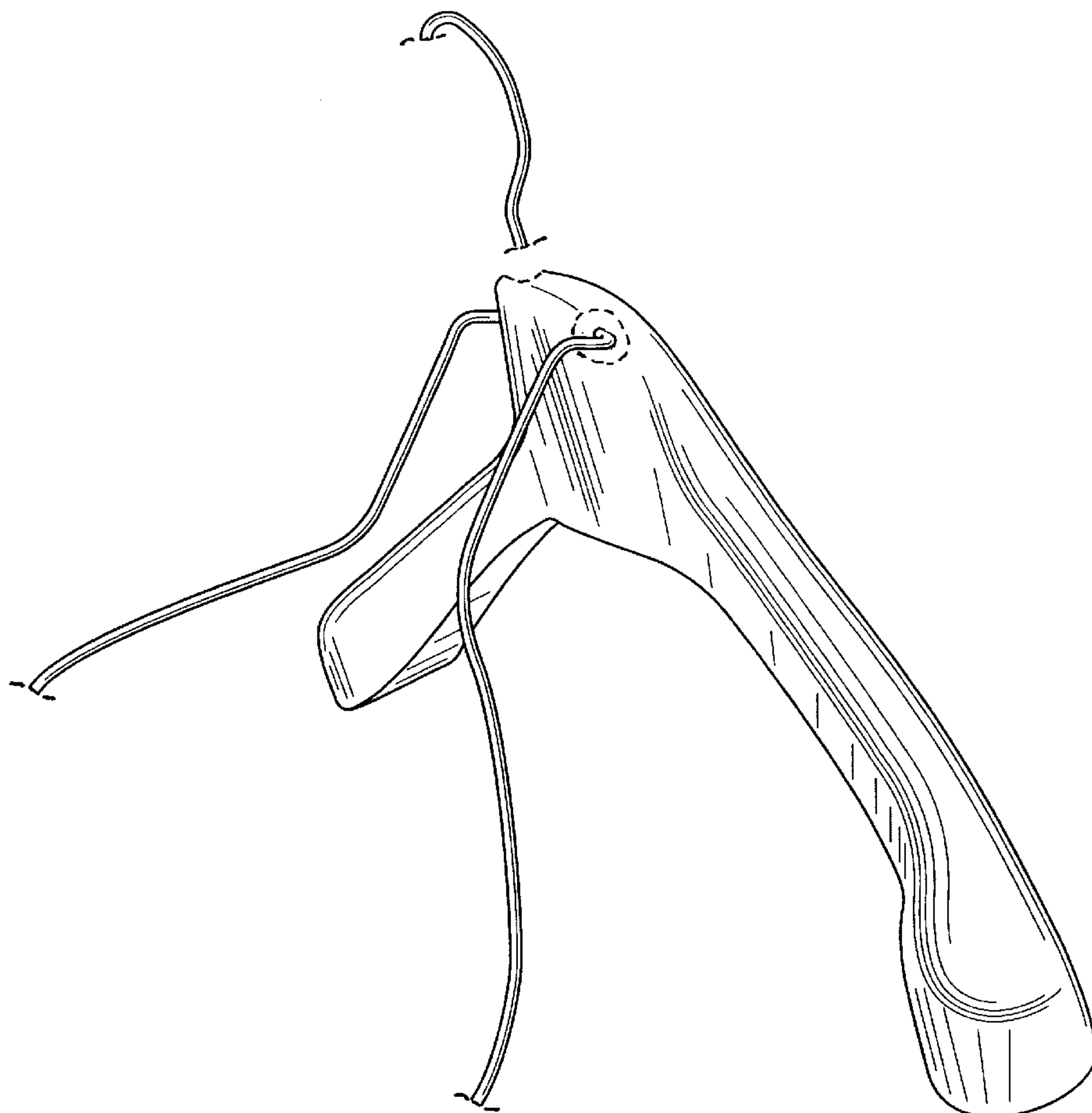
[57] **CLAIM**

The ornamental design for a garment hanger, as shown and described.

**DESCRIPTION**

FIG. 1 is a front elevational view of the garment hanger;  
 FIG. 2 is a rear elevational view thereof;  
 FIG. 3 is a bottom plan view thereof;  
 FIG. 4 is a side, front perspective view thereof with the opposite side presenting the same view as that shown in FIG. 4 due to the garment hanger design's illustrated symmetry; and,  
 FIG. 5 is a top perspective view thereof.  
 The broken lines which define the bounds of the claimed design form no part thereof.

**1 Claim, 5 Drawing Sheets**



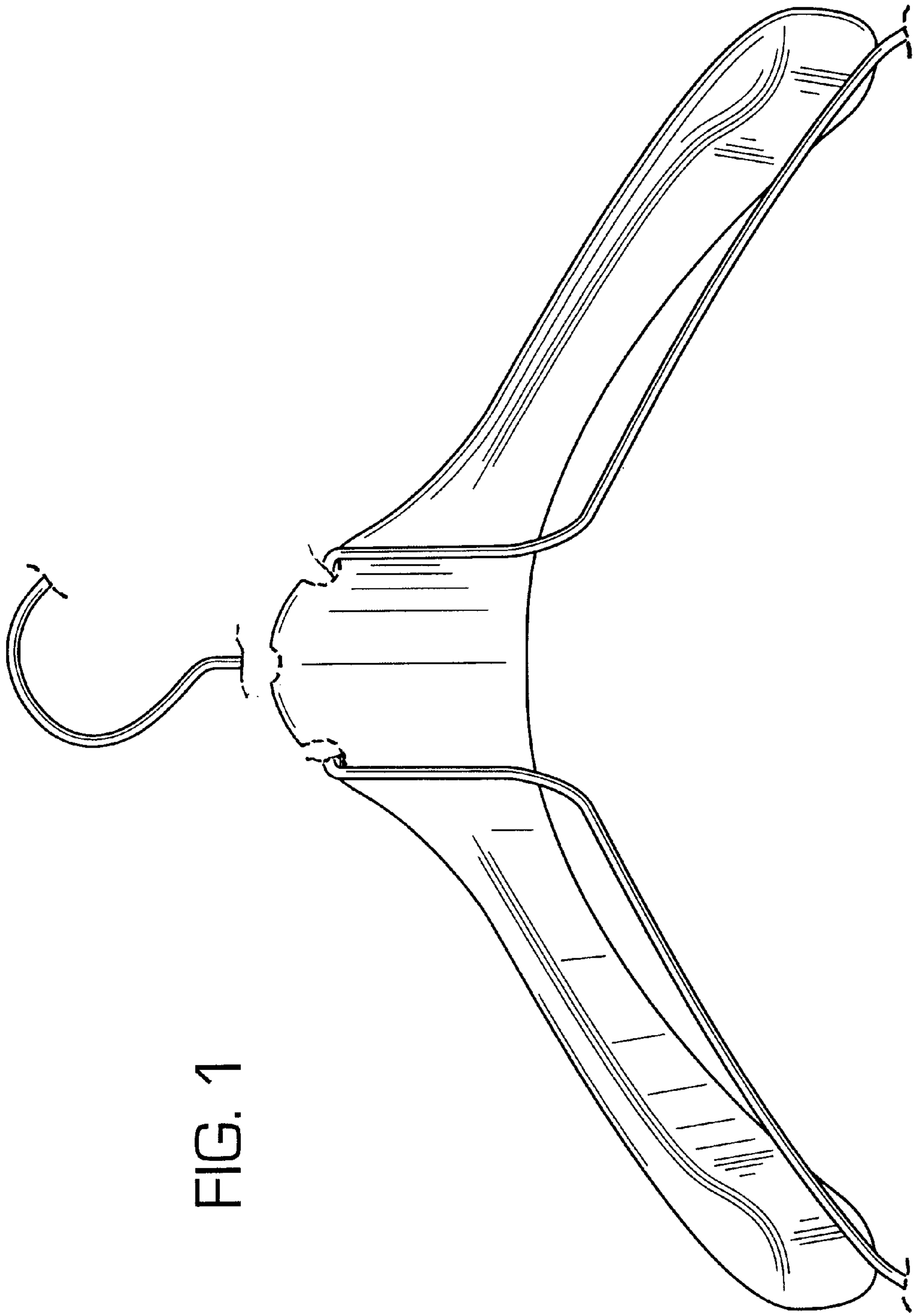


FIG. 1

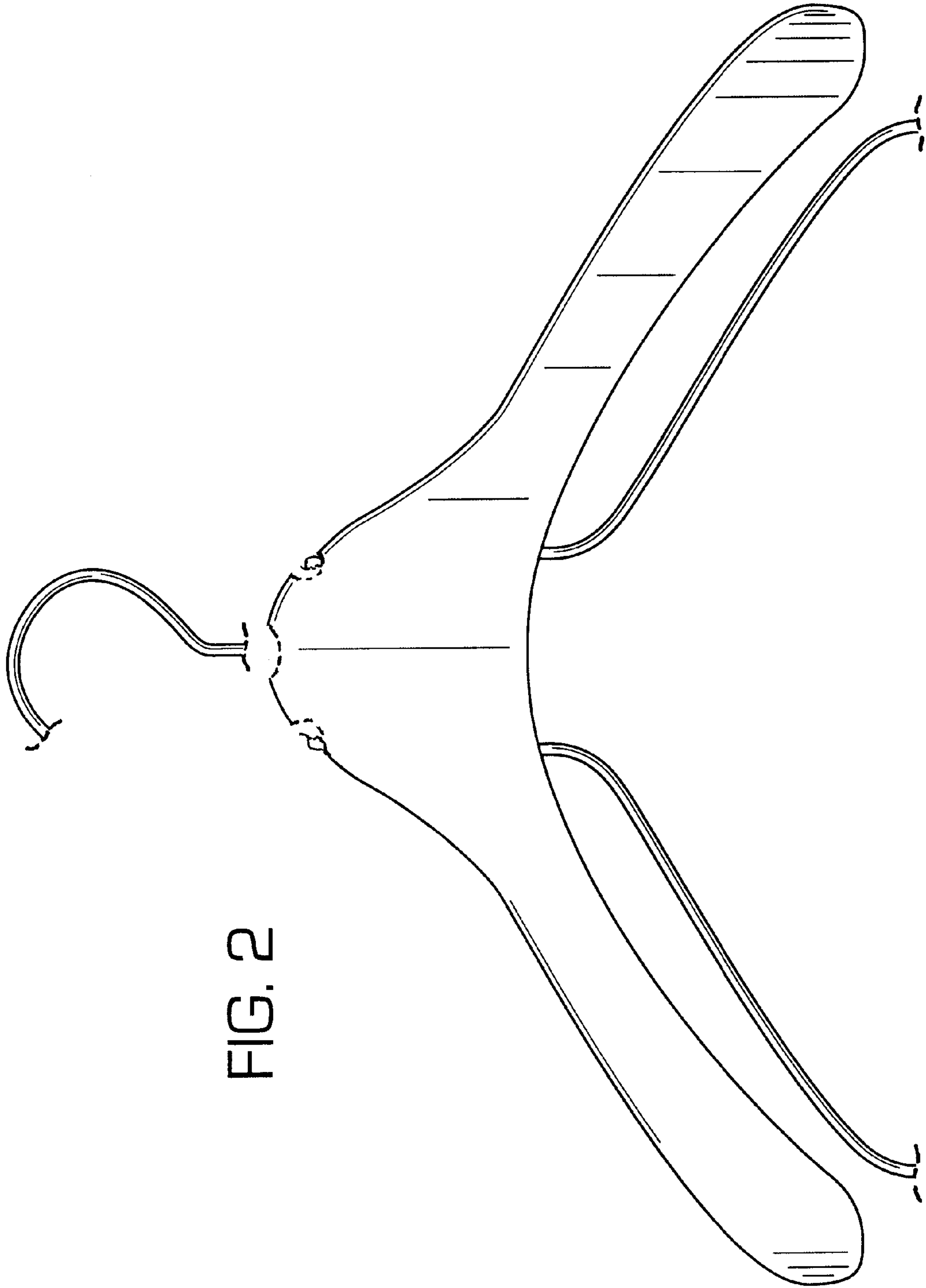
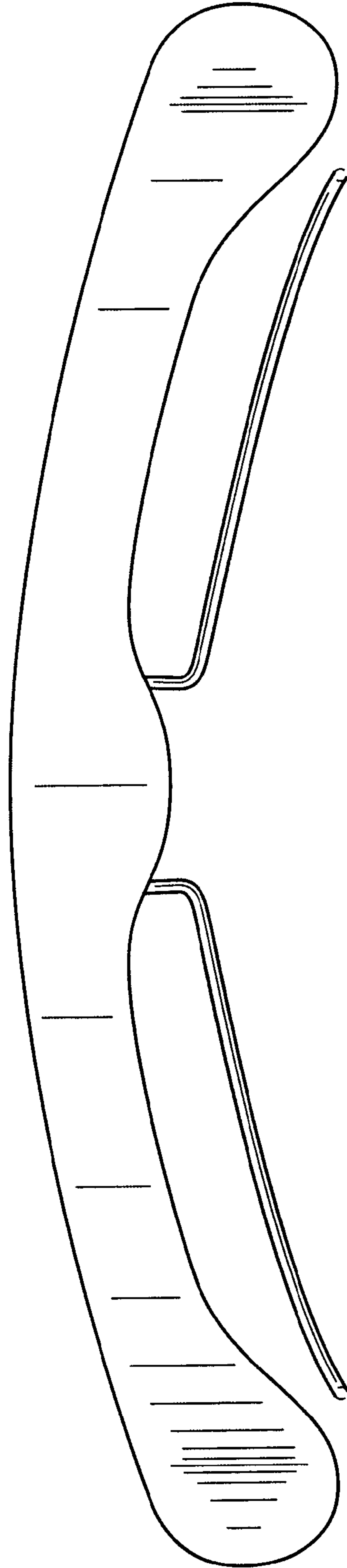


FIG. 2

FIG. 3



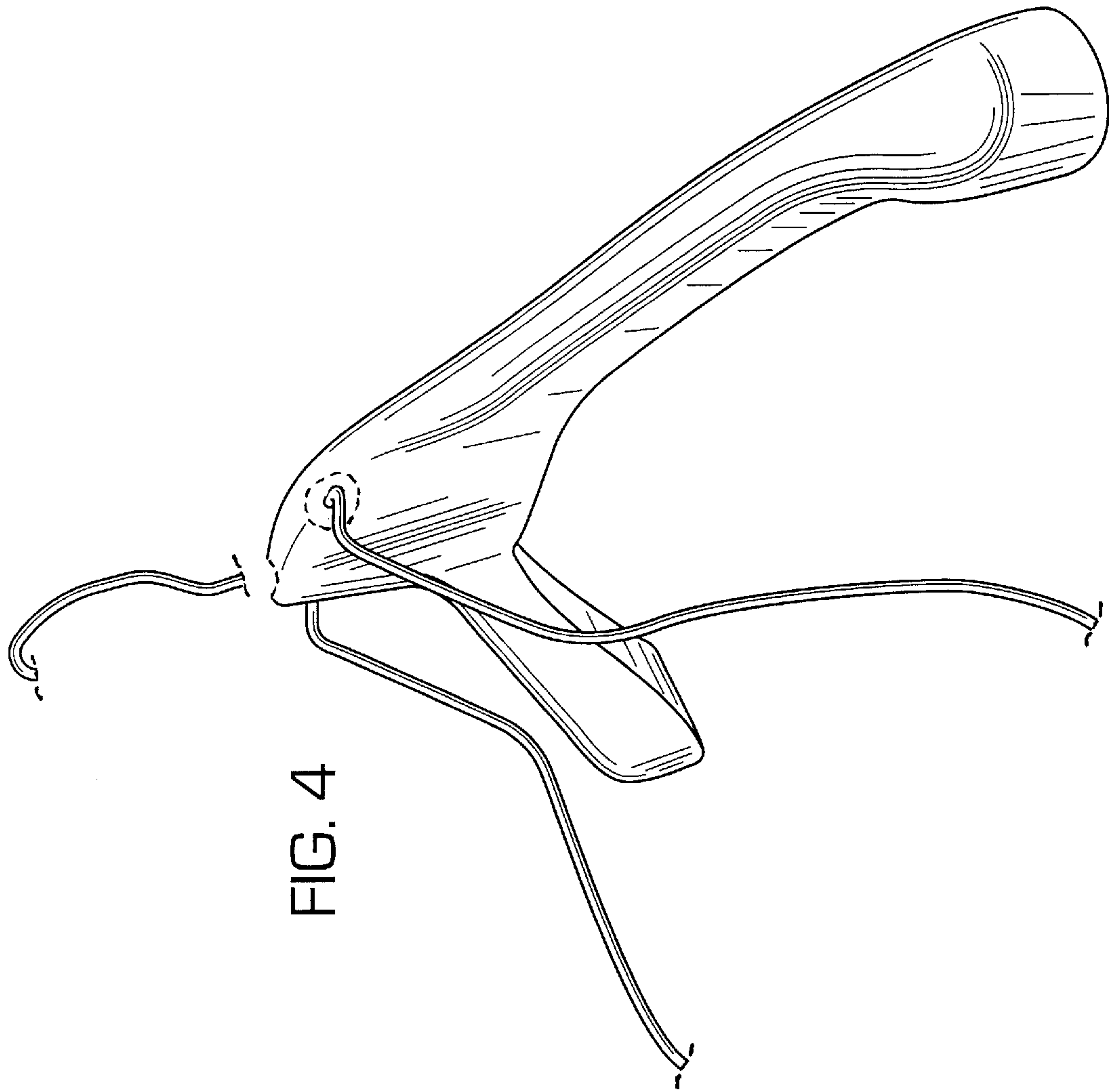


FIG. 4

FIG. 5

