



US00D432311S

United States Patent [19] Weinreb

[11] **Patent Number: Des. 432,311**

[45] **Date of Patent: ** Oct. 24, 2000**

[54] **LAP TOP COMPUTER CARRYING CASE**

[75] Inventor: **Robert L. Weinreb**, New York, N.Y.

[73] Assignee: **Quality Cases Ltd**, Brooklyn, N.Y.

[**] Term: **14 Years**

[21] Appl. No.: **29/112,609**

[22] Filed: **Oct. 21, 1999**

[51] **LOC (7) Cl.** **03-99**

[52] **U.S. Cl.** **D3/319; D3/284**

[58] **Field of Search** D3/301, 272, 273,
D3/276, 284, 319, 900, 902, 289; 190/900,
901, 903, 100, 110; 206/305, 320, 328,
576

[56] **References Cited**

U.S. PATENT DOCUMENTS

D. 358,935	6/1995	Chang et al.	D3/289
D. 360,075	7/1995	Cross et al.	D3/276
D. 360,978	8/1995	Willard et al.	D3/301
D. 380,610	7/1997	Corrales	D3/276
D. 380,612	7/1997	Kelley et al.	D3/289

D. 383,605	9/1997	Usuriello	D3/284
D. 414,751	10/1999	Yogalingam	D3/276 X
5,857,568	1/1999	Speirs	206/320
5,960,952	10/1999	Chen	206/320

Primary Examiner—Louis S. Zarfes
Assistant Examiner—Catherine R Oliver
Attorney, Agent, or Firm—Pepe & Hazard LLP

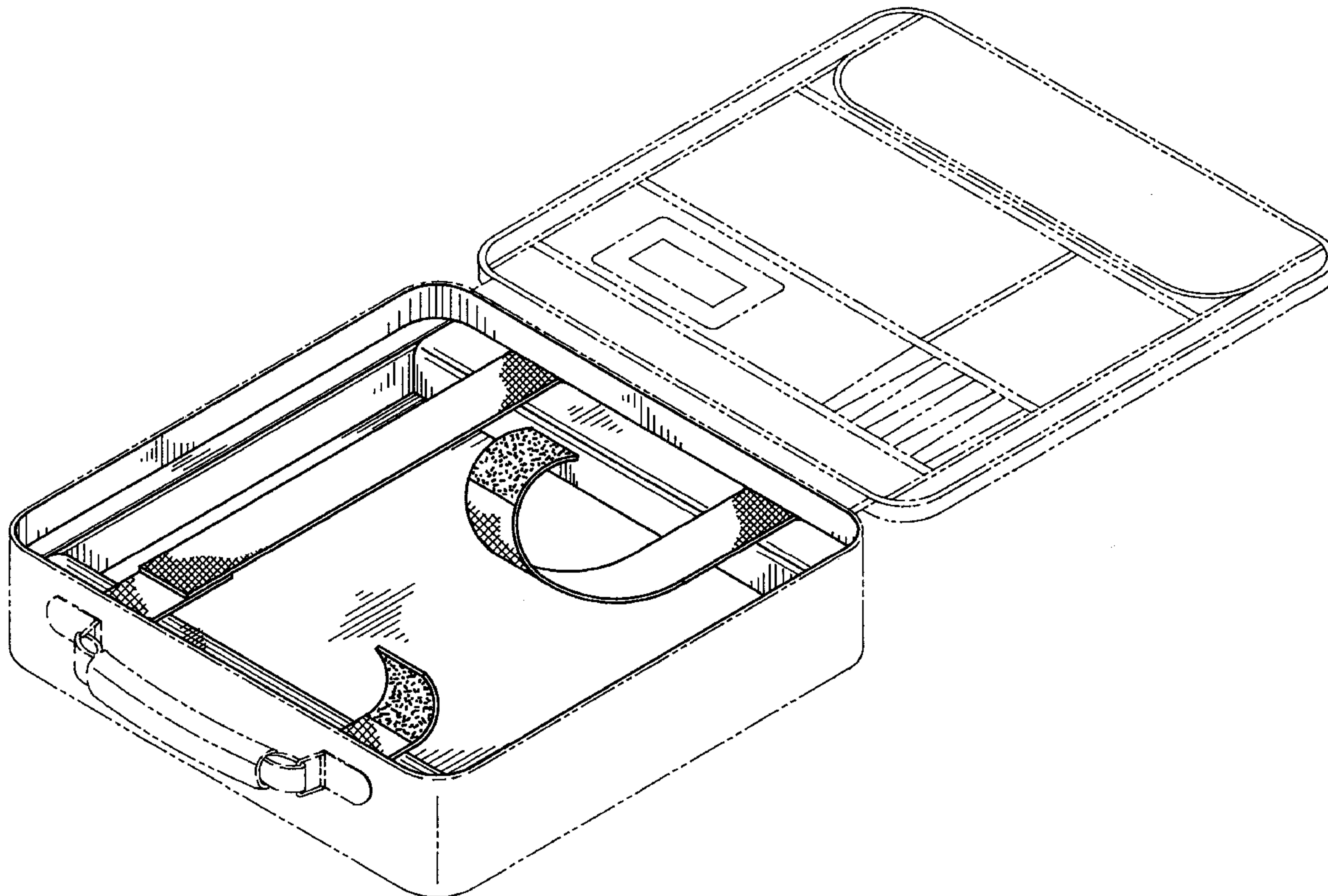
[57] **CLAIM**

The ornamental design for a lap top computer carrying case, as shown and described.

DESCRIPTION

FIG. 1 is a perspective view of the interior of a lap top computer carrying case in accordance with the invention; FIG. 2 is a top plan view of the interior of a lap top computer carrying case in accordance with the invention; and, FIG. 3 is a cross-section view of the interior of the lap top computer carrying case, taken along line 3—3 of FIG. 2. The broken line showing of environment in FIGS. 1—3 is for illustrative purposes only and forms no part of the claimed design.

1 Claim, 2 Drawing Sheets



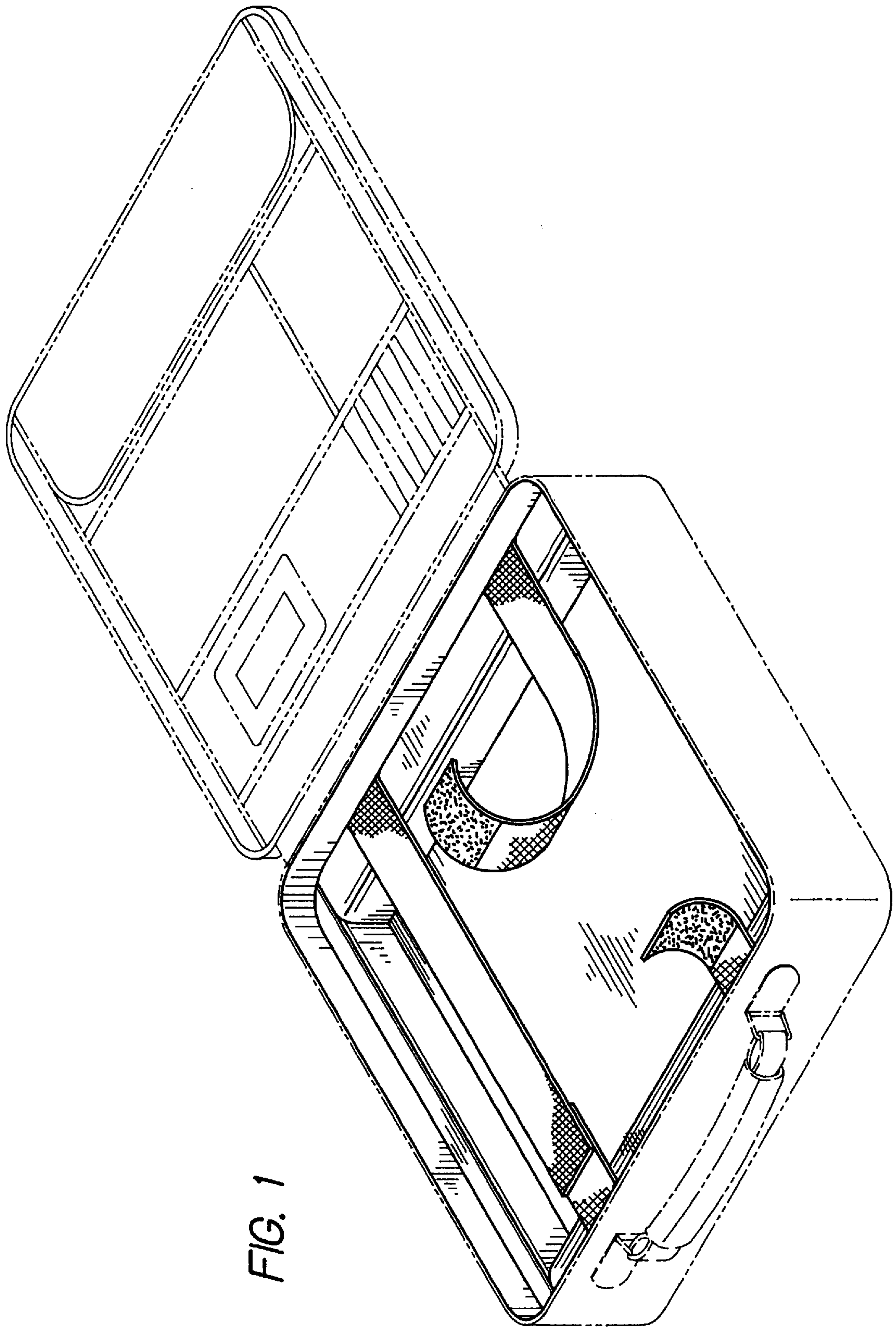


FIG. 1

FIG. 2

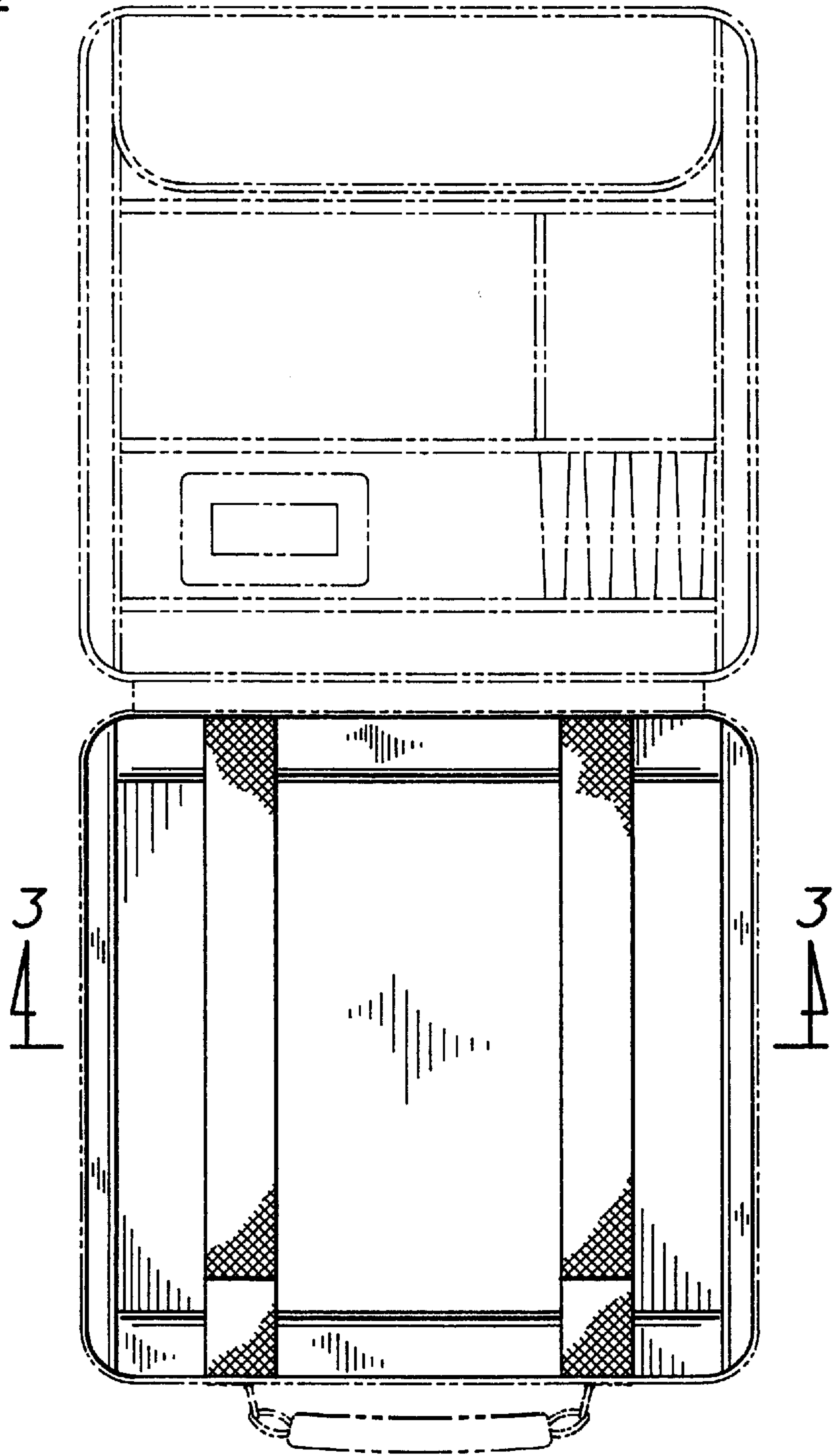


FIG. 3

