



US00D432310S

United States Patent [19] Salz

[11] Patent Number: Des. 432,310

[45] Date of Patent: ** Oct. 24, 2000

[54] REMOVABLE INNER BAG FOR A HAND BAG

[75] Inventor: Julie Salz, 5833 11th St. North, Arlington, Va. 22205

[73] Assignee: Julie Salz, Arlington, Va.

[**] Term: 14 Years

[21] Appl. No.: 29/109,327

[22] Filed: Aug. 16, 1999

[51] LOC (7) Cl. 03-99

[52] U.S. Cl. D3/319; D3/324

[58] Field of Search D3/232, 245, 285, D3/289, 301, 323, 324, 319; 150/105, 113, 116-117; 190/110-113, 903; 206/170, 227, 541, 550; 224/901.2, 901.6; 294/903

[56] References Cited

U.S. PATENT DOCUMENTS

D. 224,072	6/1972	Rosenblum	150/113
D. 269,646	7/1983	Schaer	D3/301
D. 334,661	4/1993	Kohn	D3/319
D. 403,863	1/1999	Briganti	D3/318
D. 408,146	4/1999	Briganti	D3/319
840,086	1/1907	Oswald	150/117
1,042,934	9/1912	Levy	150/131
1,972,577	9/1934	Walinsky	150/113
2,104,439	1/1938	Schein	126/318
2,464,312	3/1949	Holden	123/242
3,451,454	6/1969	Davis	150/113

3,881,534	5/1975	Gist	224/901.2
3,963,102	6/1976	Carp	190/110
4,260,004	4/1981	Domke	190/110
4,263,951	4/1981	Siegel	150/111
4,453,623	6/1984	Horii	190/102
4,907,633	3/1990	Eckstein	190/116
4,995,436	2/1991	Cantor	190/110
5,038,842	8/1991	Huang	D3/233

FOREIGN PATENT DOCUMENTS

1117240 5/1956 France .

Primary Examiner—Louis S. Zarfes
Assistant Examiner—Robert A. Delehanty
Attorney, Agent, or Firm—Shanks & Herbert

[57] CLAIM

The ornamental design for a removable inner bag for a hand bag, as shown and described.

DESCRIPTION

FIG. 1 is a front, side perspective view of the removable inner bag for a hand bag shown broken away in the middle to indicate indeterminate length; FIG. 2 is a front elevation view thereof; FIG. 3 is a rear elevation view thereof; FIG. 4 is a left side elevation view thereof; FIG. 5 is a right side elevation view thereof; FIG. 6 is a top plan view thereof; and, FIG. 7 is a bottom plan view thereof. The broken line showing of a hand bag is for illustrative purposes only and forms no part of the claimed design.

1 Claim, 3 Drawing Sheets

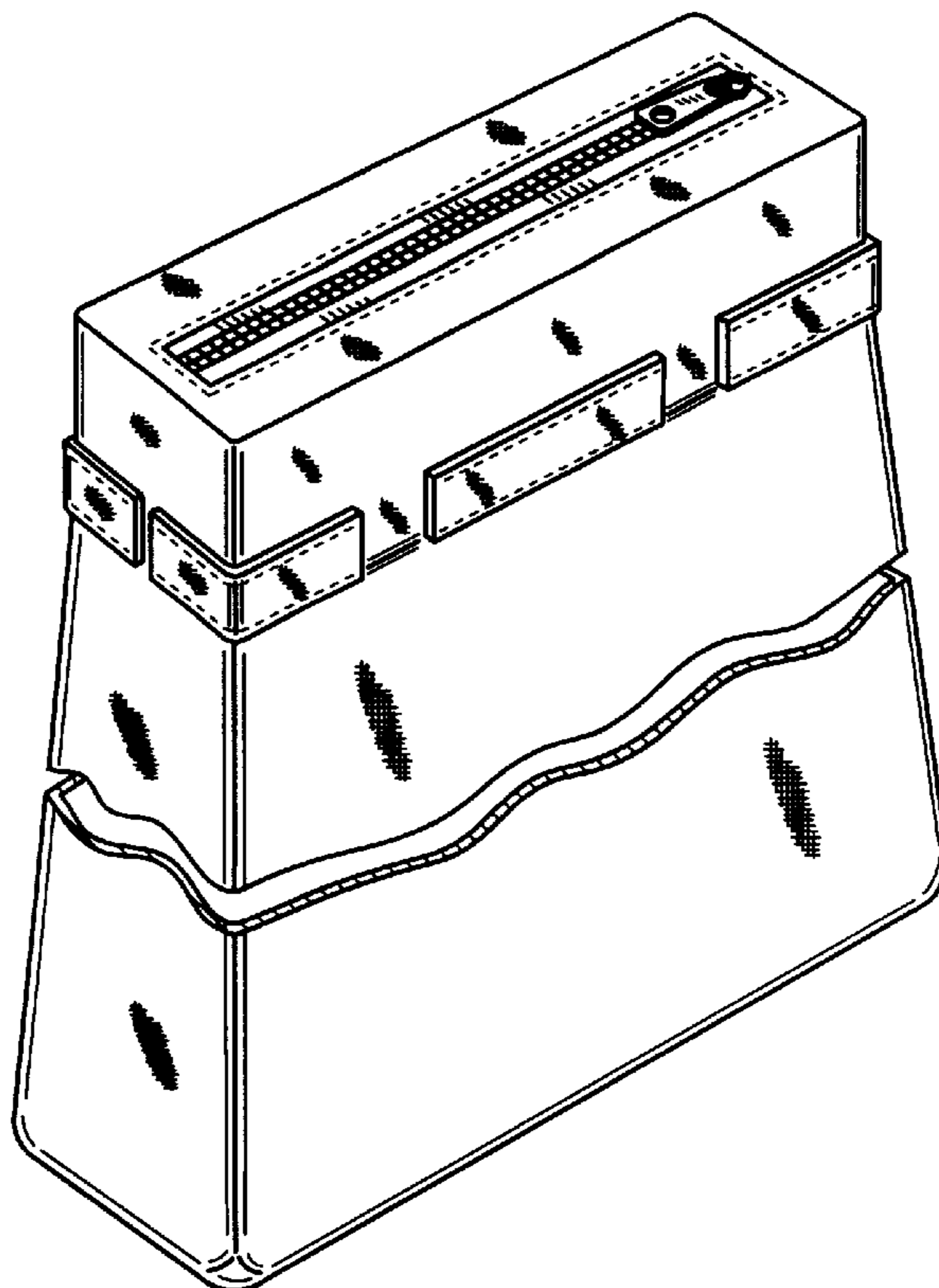


FIG. 1

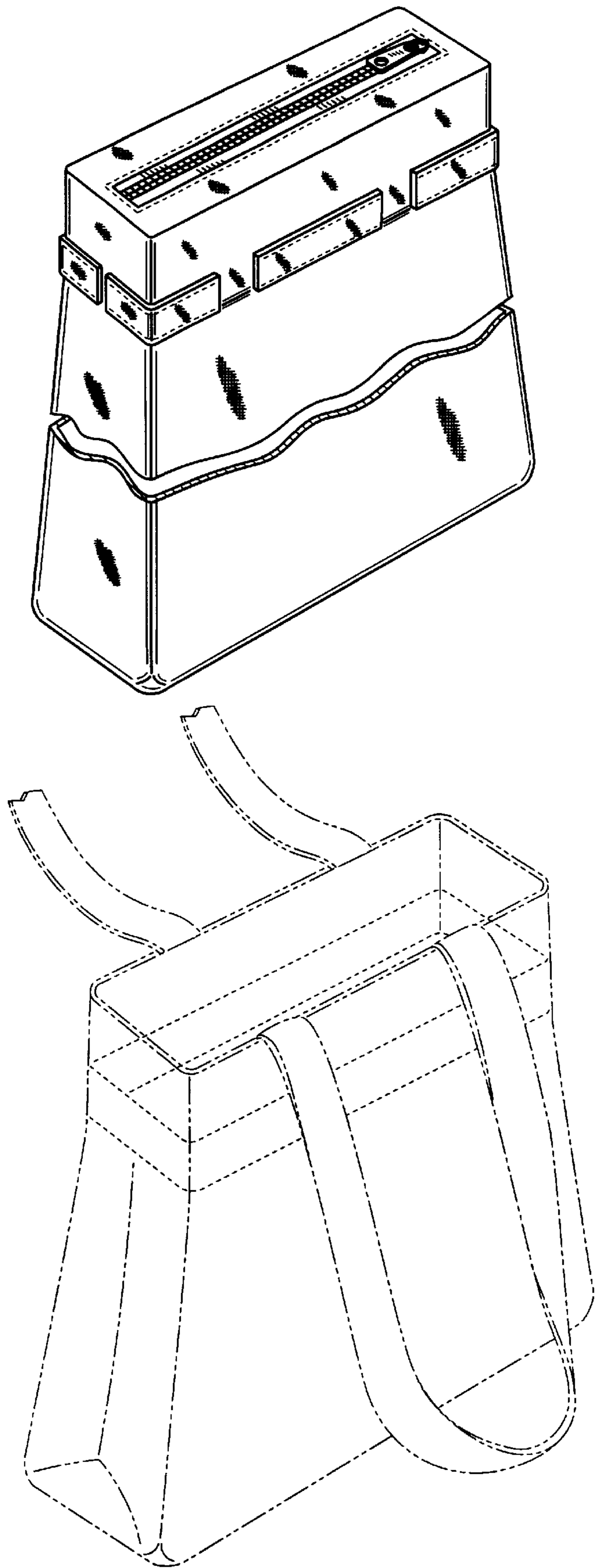


FIG. 2

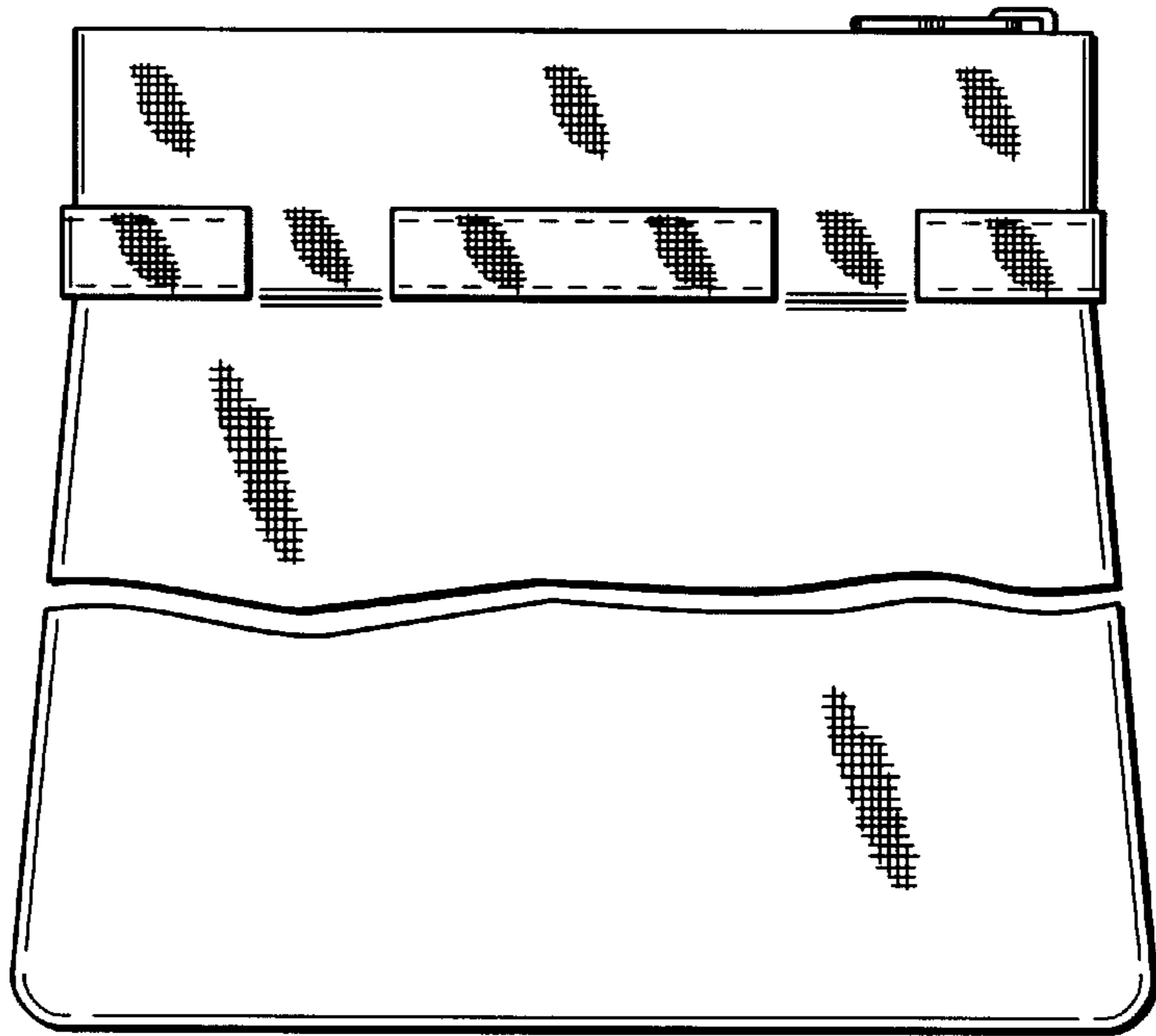


FIG. 3

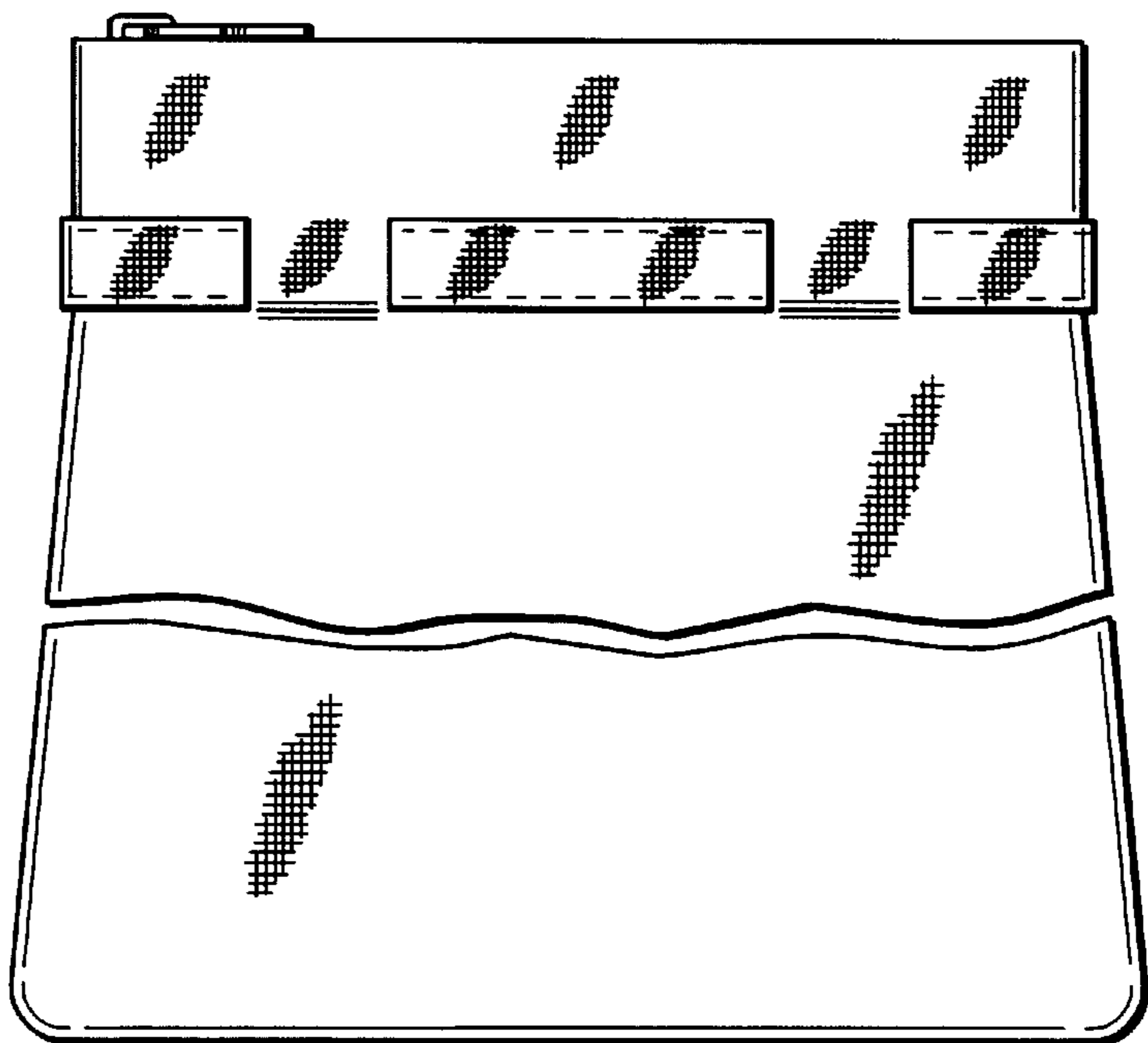


FIG. 4

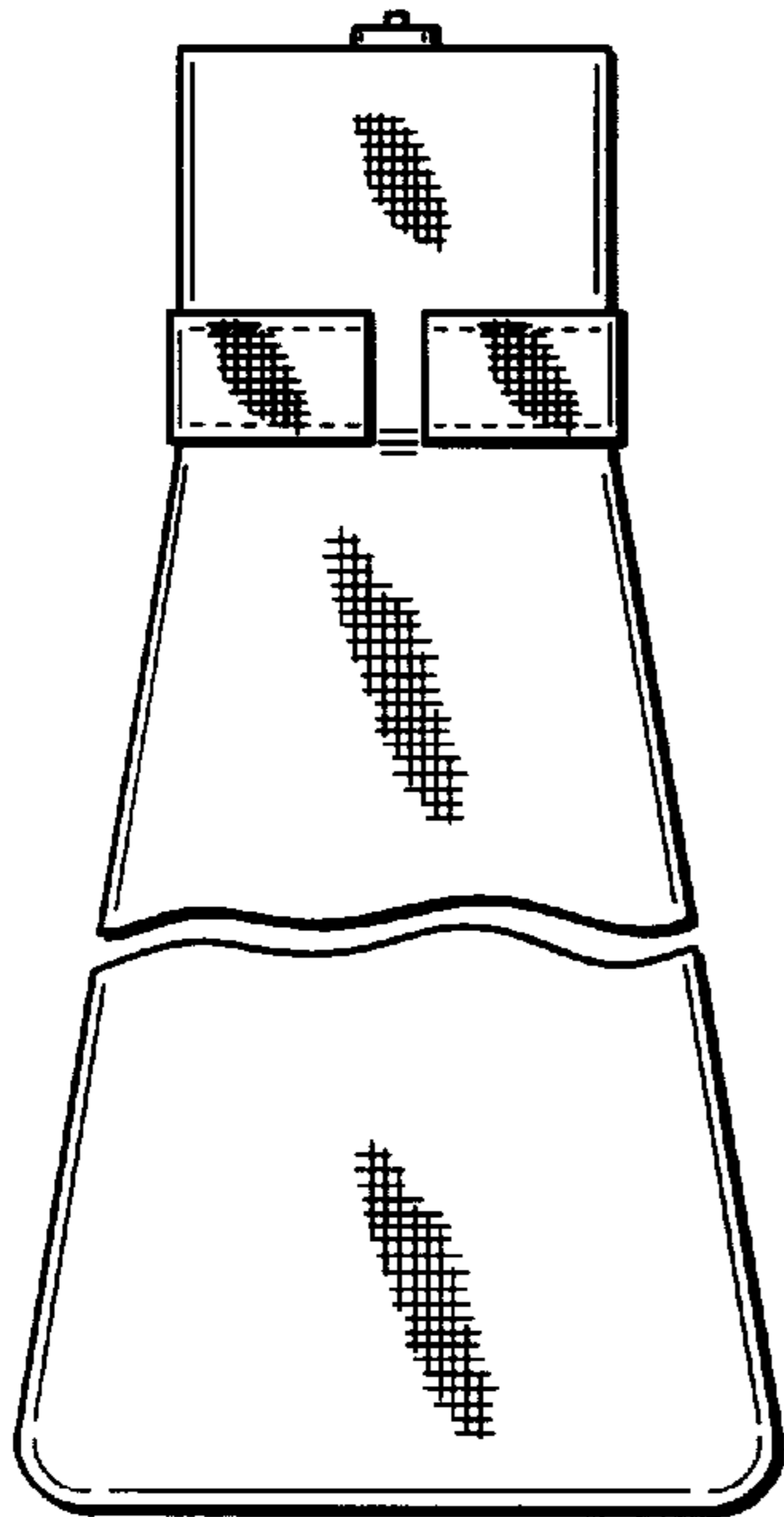


FIG. 5

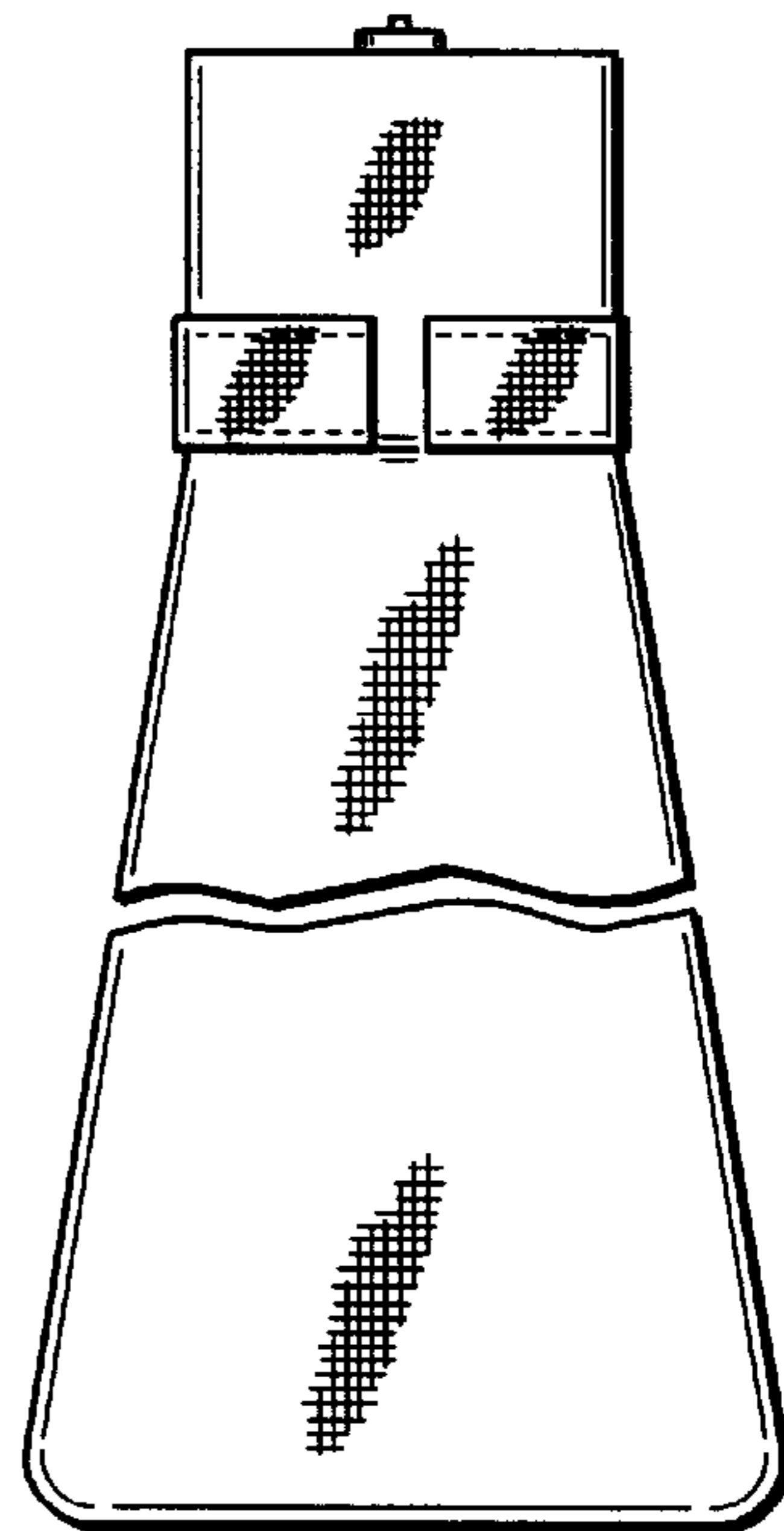


FIG. 6

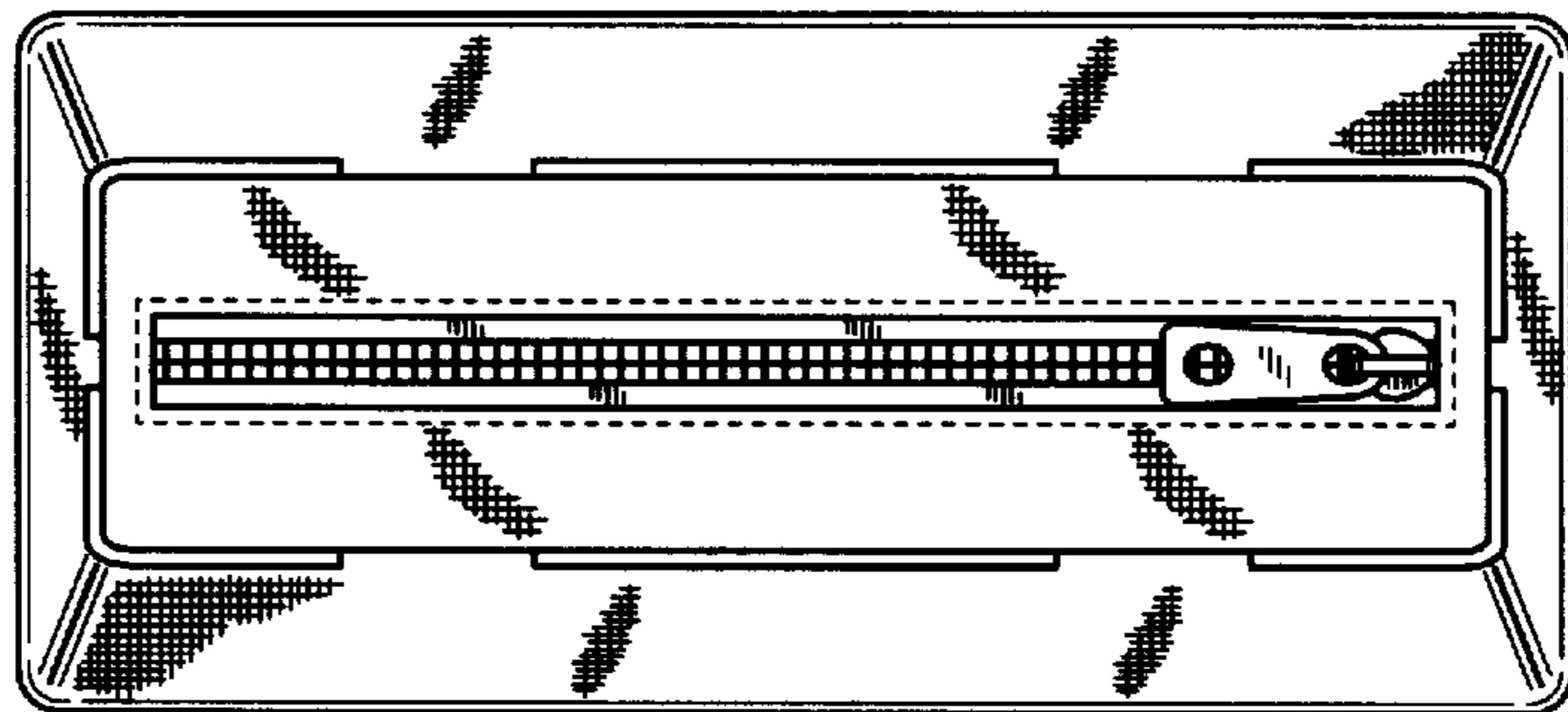


FIG. 7

