



US00D432308S

United States Patent [19] Lockhart

[11] Patent Number: Des. 432,308

[45] Date of Patent: ** Oct. 24, 2000

[54] CRAFT TRAY WITH FUNNEL

[75] Inventor: Vee Ann Tink Lockhart, Idaho Falls, Id.

[73] Assignee: Precision Plastics of Idaho, Inc., Idaho Falls, Id.

[**] Term: 14 Years

[21] Appl. No.: 29/107,377

[22] Filed: Jul. 1, 1999

[51] LOC (7) Cl. 03-01

[52] U.S. Cl. D3/304; D3/201

[58] Field of Search D3/304, 201; 206/528, 206/540, 557; 220/573, 675; D7/543, 700; D24/227; D9/424, 425; 30/123.5

[56] **References Cited**

U.S. PATENT DOCUMENTS

- D. 248,078 6/1978 Warnekros D7/543
- D. 262,507 1/1982 Wooldridge D7/700

- D. 298,968 12/1988 McAllister D24/227
- 458,175 8/1891 Larkins 30/123.5
- 2,754,030 7/1956 Waber et al. 206/540
- 3,747,756 7/1973 Wheeler 209/703
- 4,502,612 3/1985 Morrison 206/540 X

Primary Examiner—Louis S. Zarfes
Assistant Examiner—M. Weingart
Attorney, Agent, or Firm—Foster & Foster

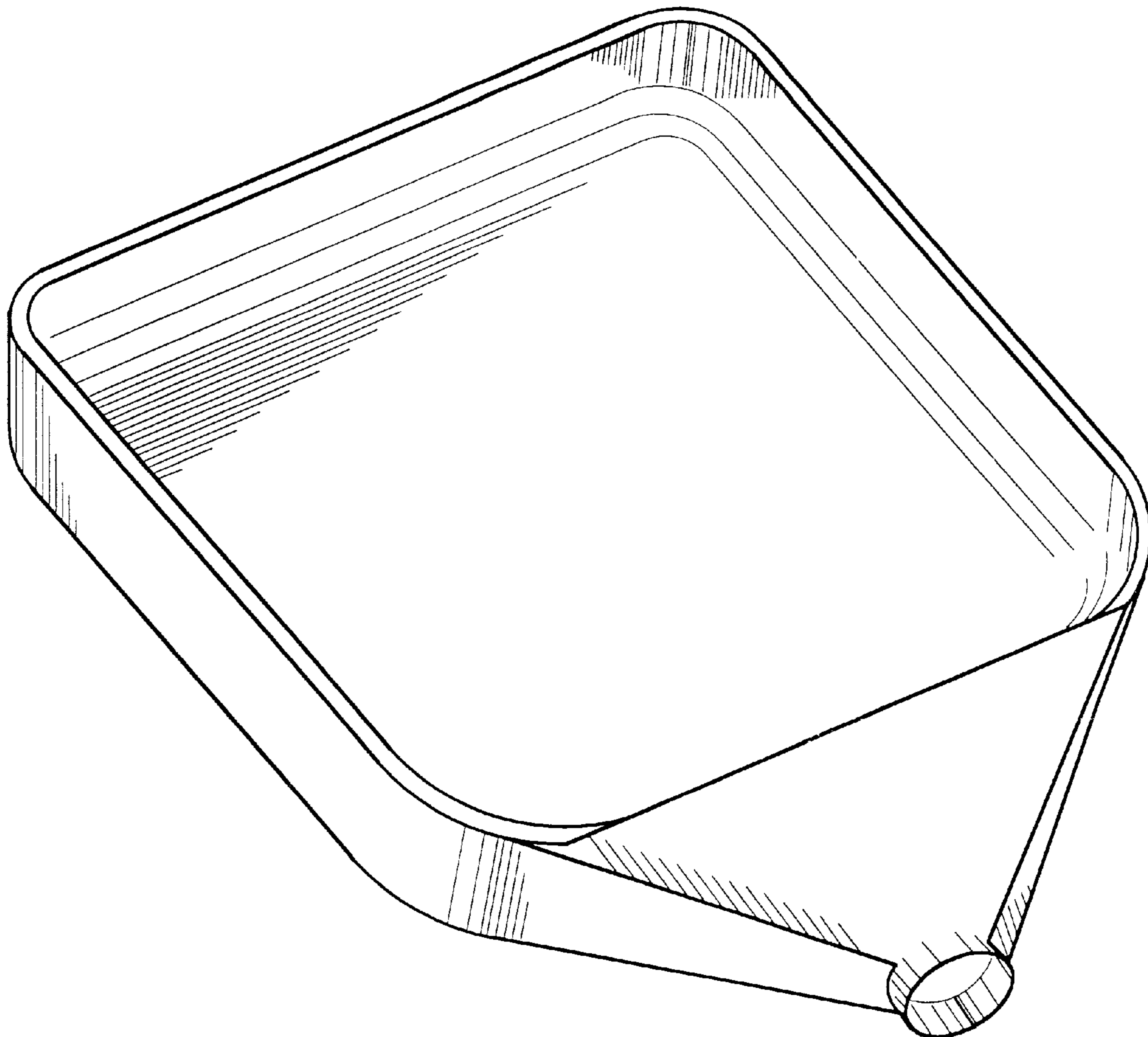
[57] **CLAIM**

The ornamental design for a craft tray with funnel, as shown and described.

DESCRIPTION

FIG. 1 is a perspective view of a craft tray with funnel showing my new design;
FIG. 2 is a top view of the craft tray with funnel;
FIG. 3 is a bottom view of the craft tray with funnel;
FIG. 4 is a first side view of the craft tray with funnel;
FIG. 5 is a second side view of the craft tray with funnel;
FIG. 6 is a first end view of the craft tray with funnel; and,
FIG. 7 is a second end view of the craft tray with funnel.

1 Claim, 6 Drawing Sheets



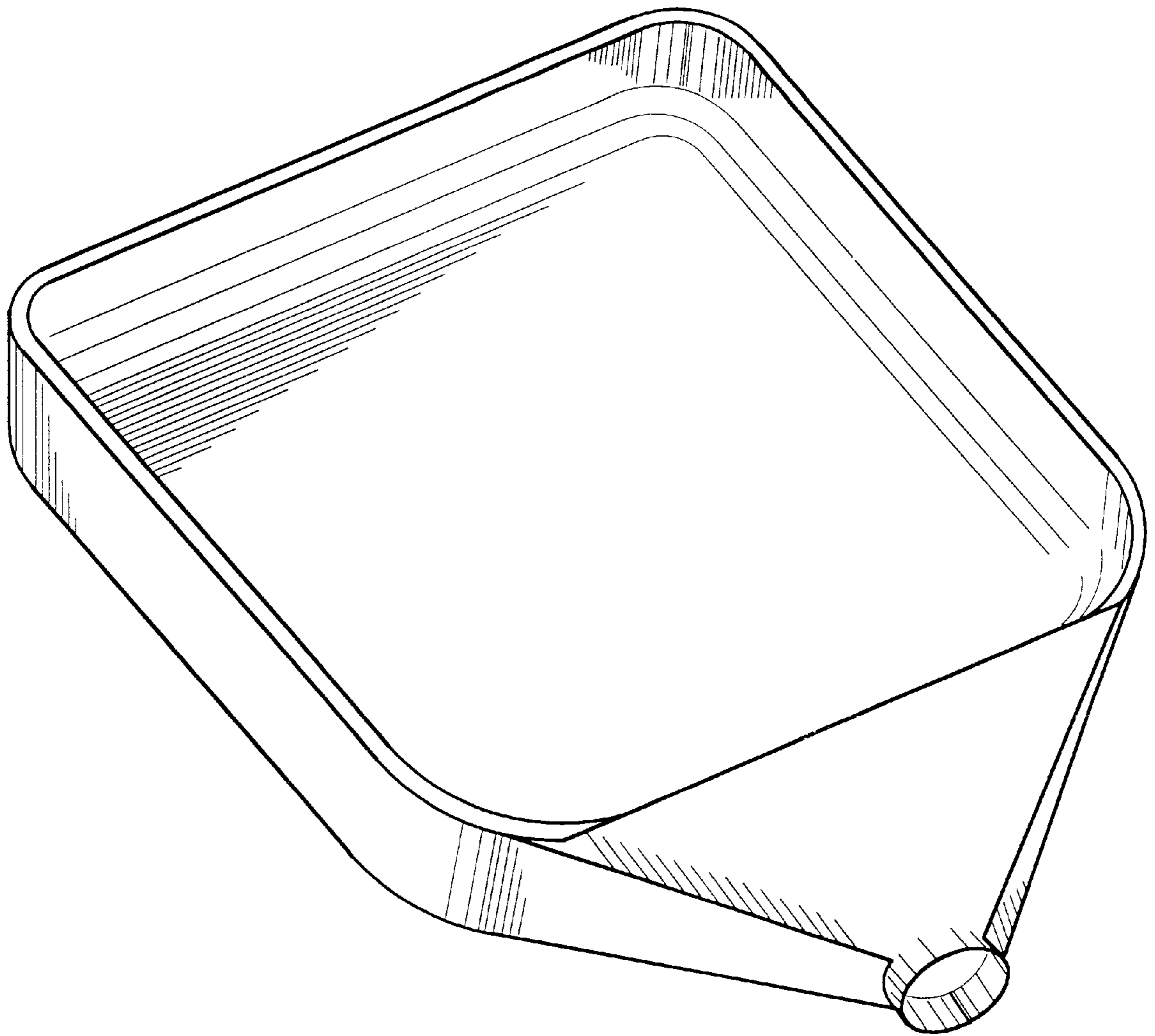


FIG.1

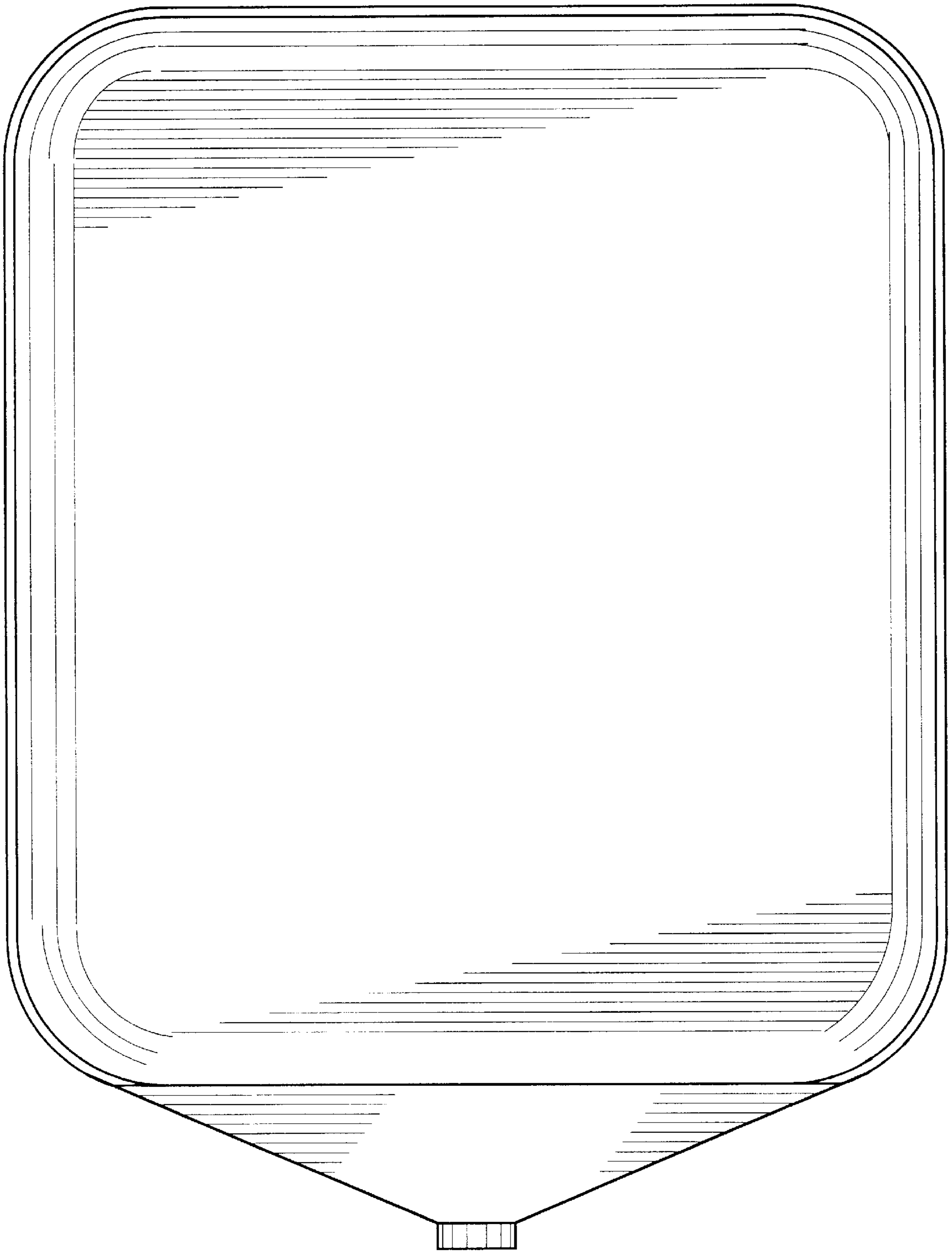


FIG. 2

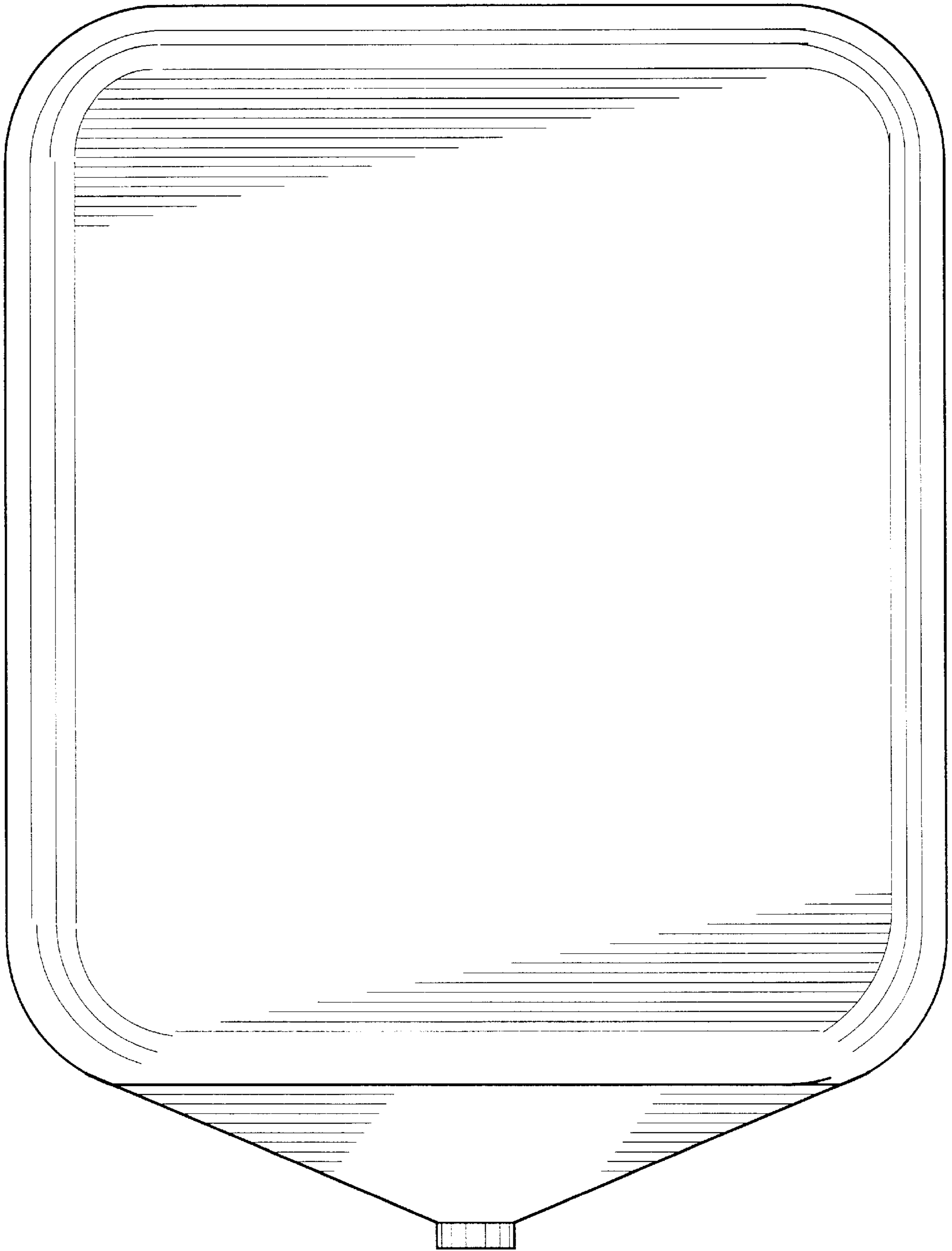


FIG. 3

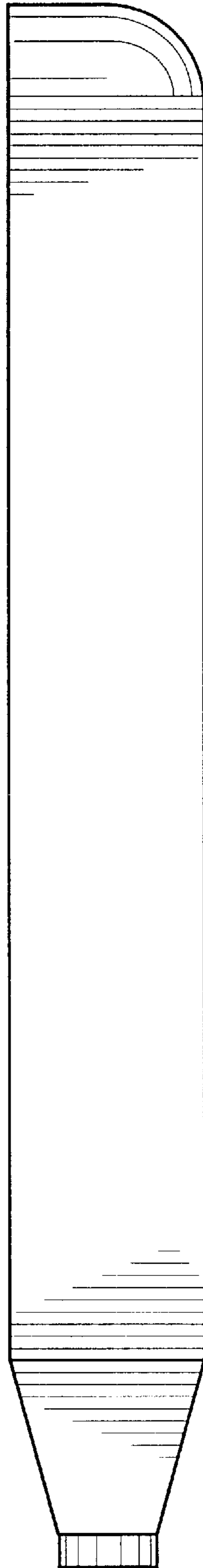


FIG. 4

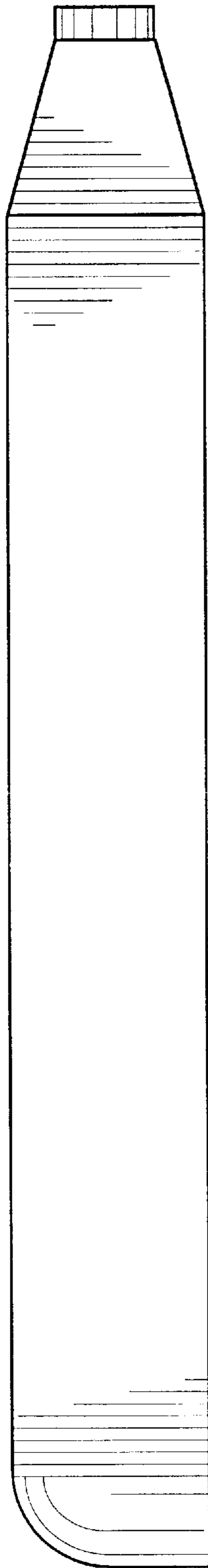


FIG. 5

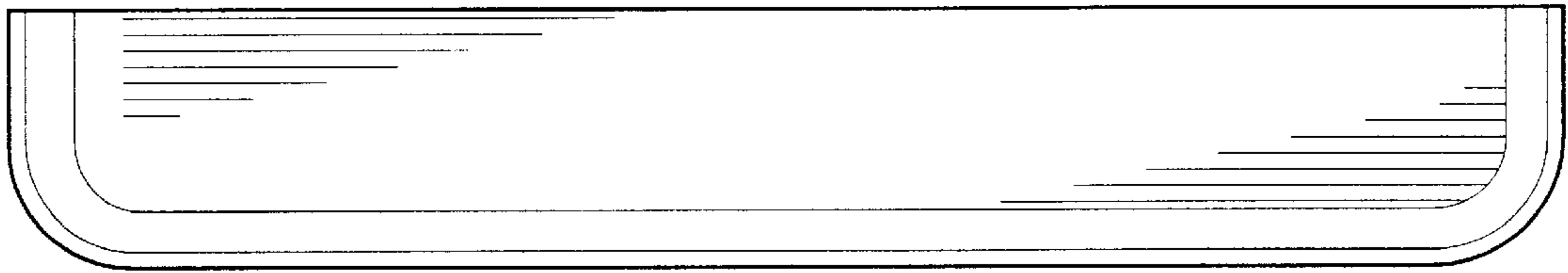


FIG. 6

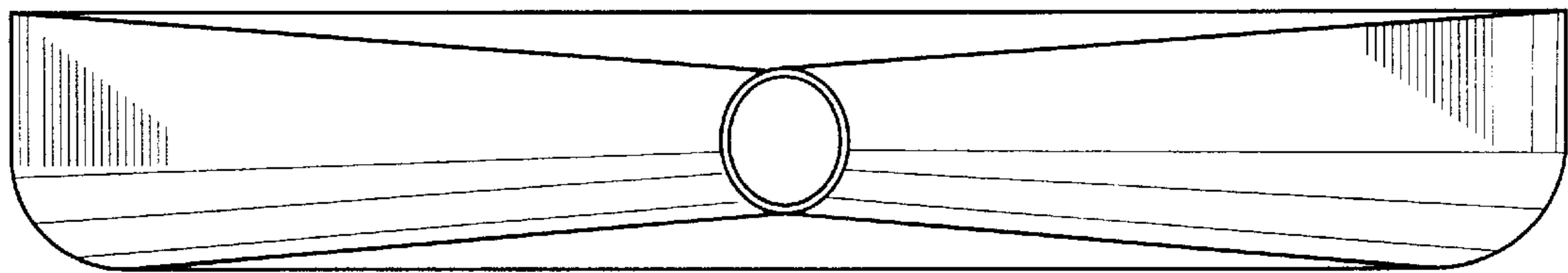


FIG. 7