



US00D432306S

United States Patent [19] Welch

[11] Patent Number: Des. 432,306

[45] Date of Patent: ** Oct. 24, 2000

[54] MILITARY AWARD STORAGE CHEST

5,102,209 4/1992 Hesseltine 312/290
5,295,742 3/1994 Knutson 312/244

[76] Inventor: John M Welch, 504 Gustine La.,
Shreveport, La. 71106

Primary Examiner—Philip S. Hyder

[**] Term: 14 Years

[57] CLAIM

[21] Appl. No.: 29/110,906

The ornamental design for a military award storage chest, as shown and described.

[22] Filed: Sep. 16, 1999

DESCRIPTION

Related U.S. Application Data

[63] Continuation-in-part of application No. 09/130,101, Aug. 6, 1998, abandoned.

[51] LOC (7) Cl. 03-01

[52] U.S. Cl. D3/295; D6/440; D3/296;
D3/297

[58] Field of Search D3/273, 294, 295,
D3/296; 312/290, 244, 278, 277, 311; D6/440;
206/6.1

FIG. 1 is a front elevational view of the military award storage chest of the present invention;

FIG. 2 is a rear elevational view of the military award storage chest of FIG. 1;

FIG. 3 is a right side elevational view of the military award storage chest of FIG. 1, the left side elevational view being a mirror image thereof;

FIG. 4 is a top plan view of the military award storage chest of FIG. 1;

FIG. 5 is a bottom plan view of the military award storage chest of FIG. 1;

FIG. 6 is a top, front, left side perspective view of the military award storage chest of FIG. 1; and,

FIG. 7 is an exploded top, front, left side perspective view of the military award storage chest of FIG. 1.

The broken lines showing of medals in FIG. 7 are for illustrative purposes only and form no part of the claimed design.

[56] References Cited

U.S. PATENT DOCUMENTS

2,344,800	3/1944	Butcher	312/274
2,629,644	2/1953	Heys	312/286
4,285,558	8/1981	Medford	312/278
4,659,154	4/1987	Jenkins	312/277
5,078,460	1/1992	Holsinger	312/244

1 Claim, 4 Drawing Sheets

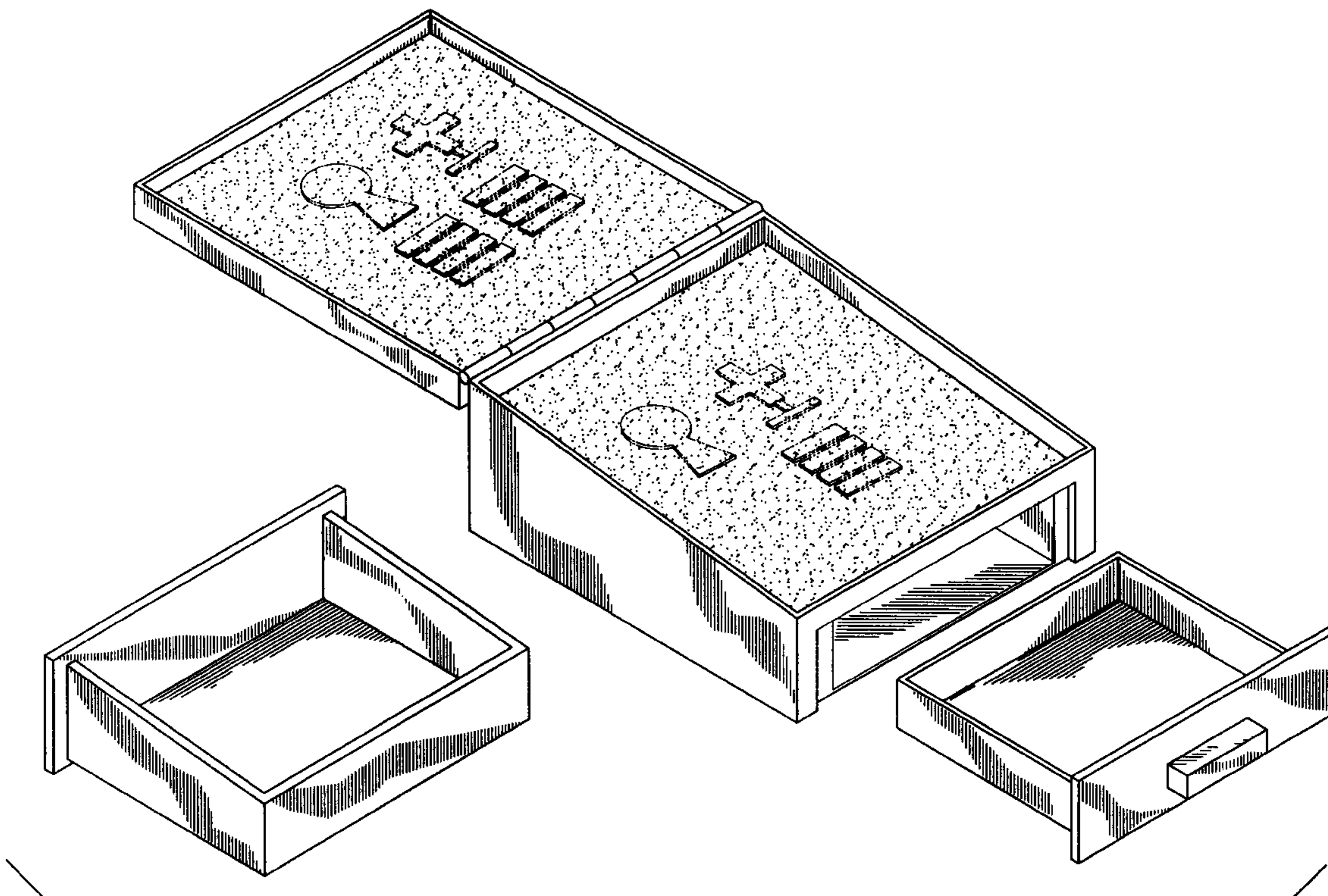


FIG. 4

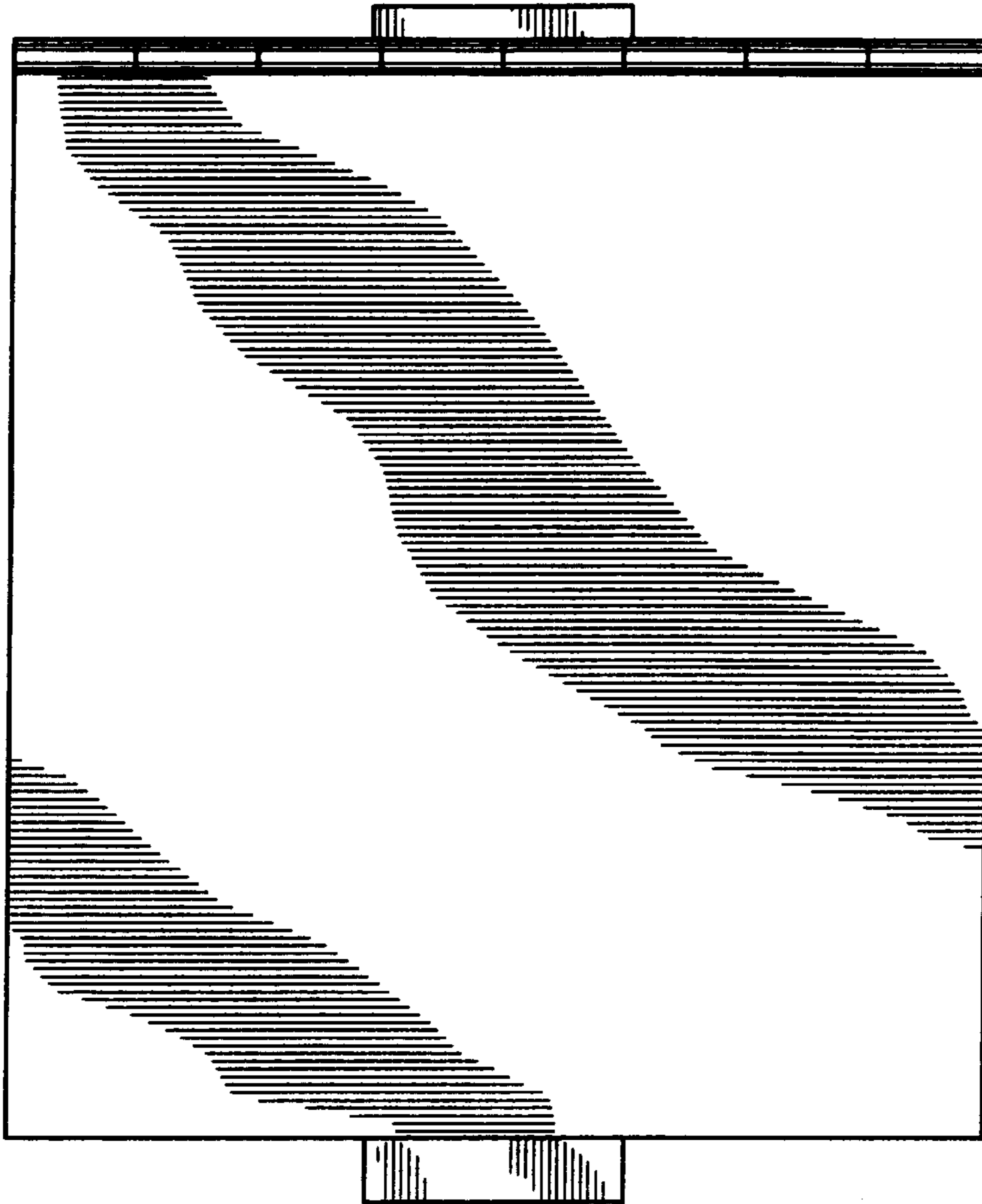


FIG. 1

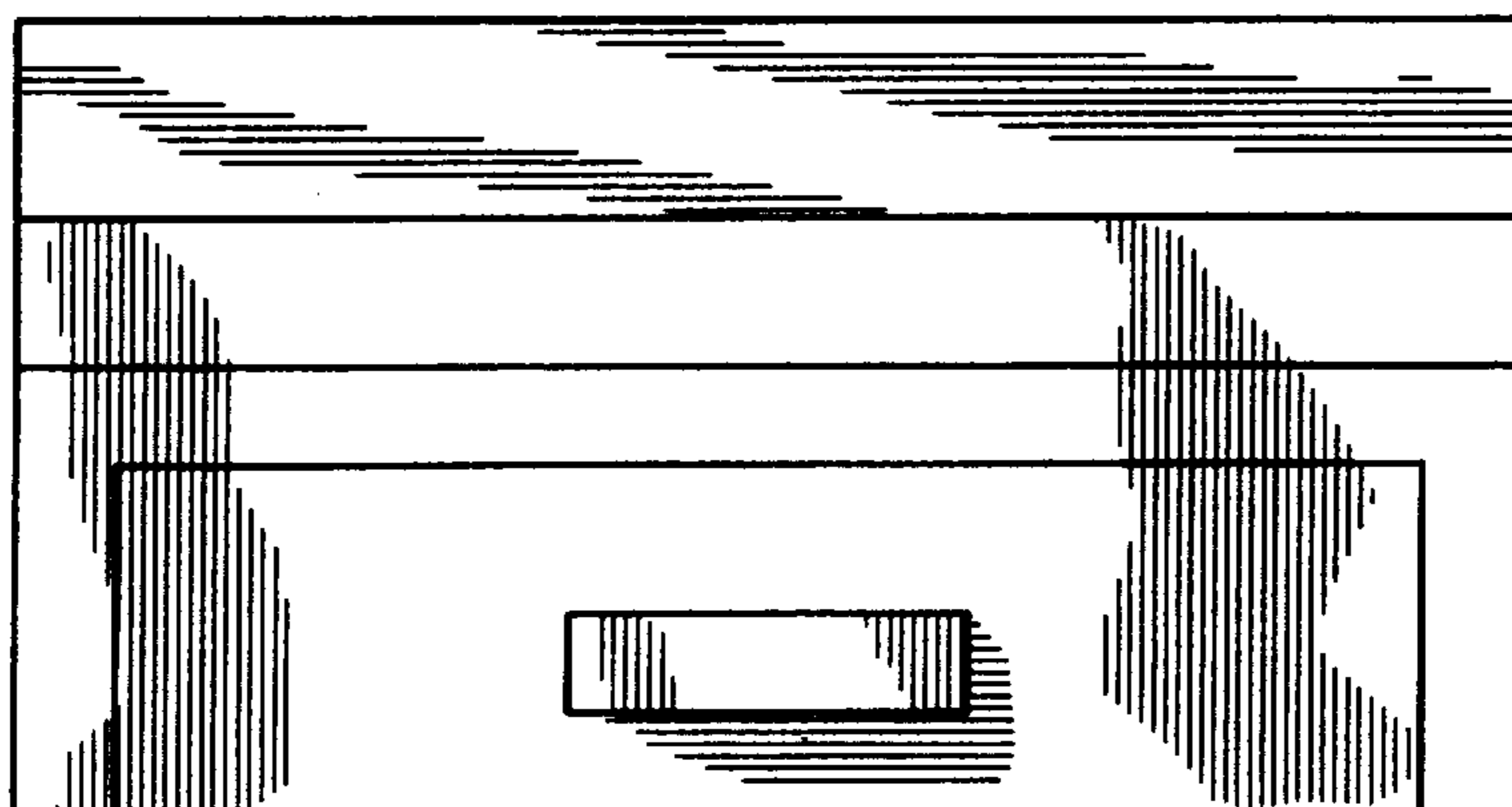


FIG. 2

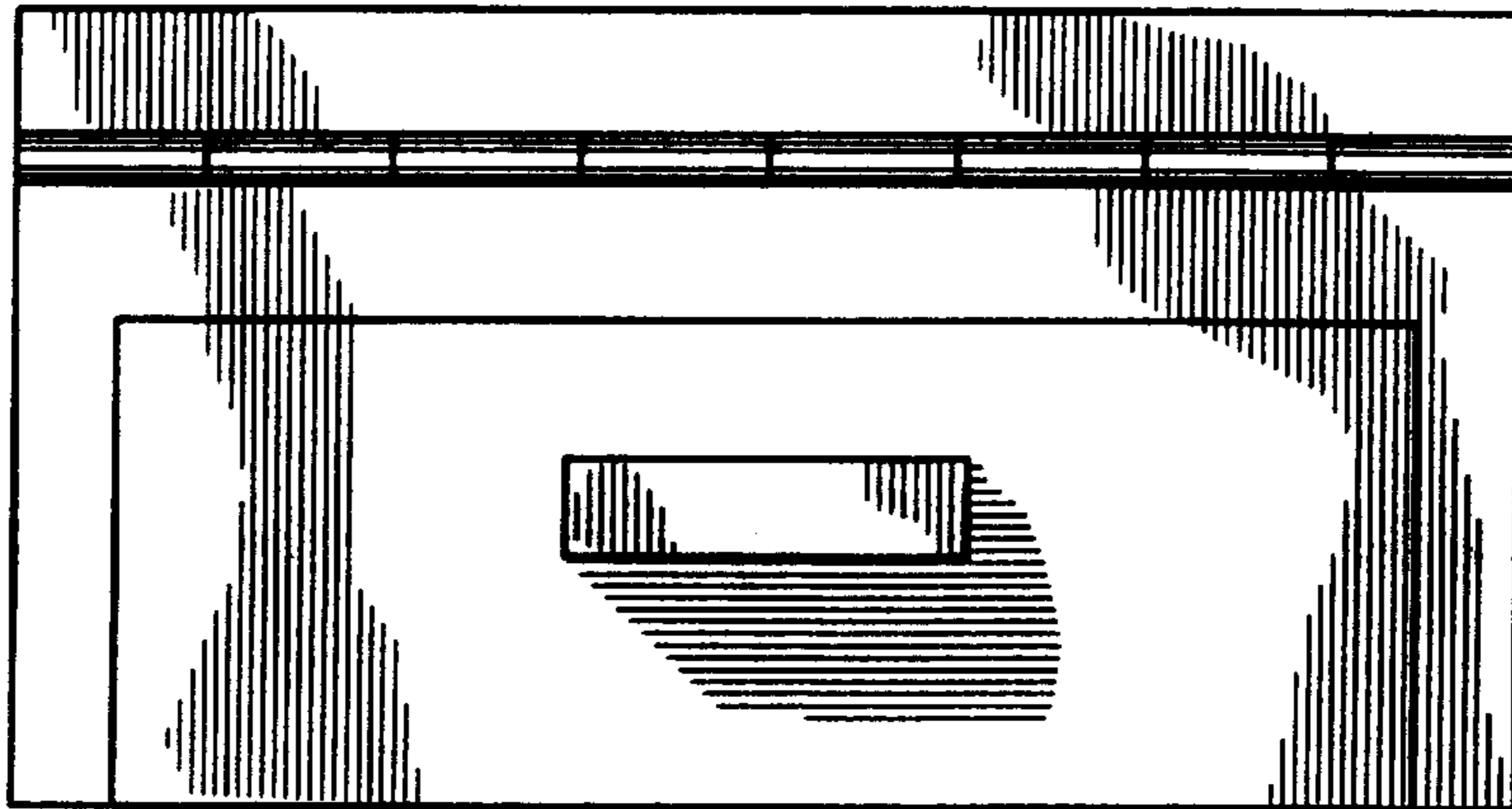


FIG. 5

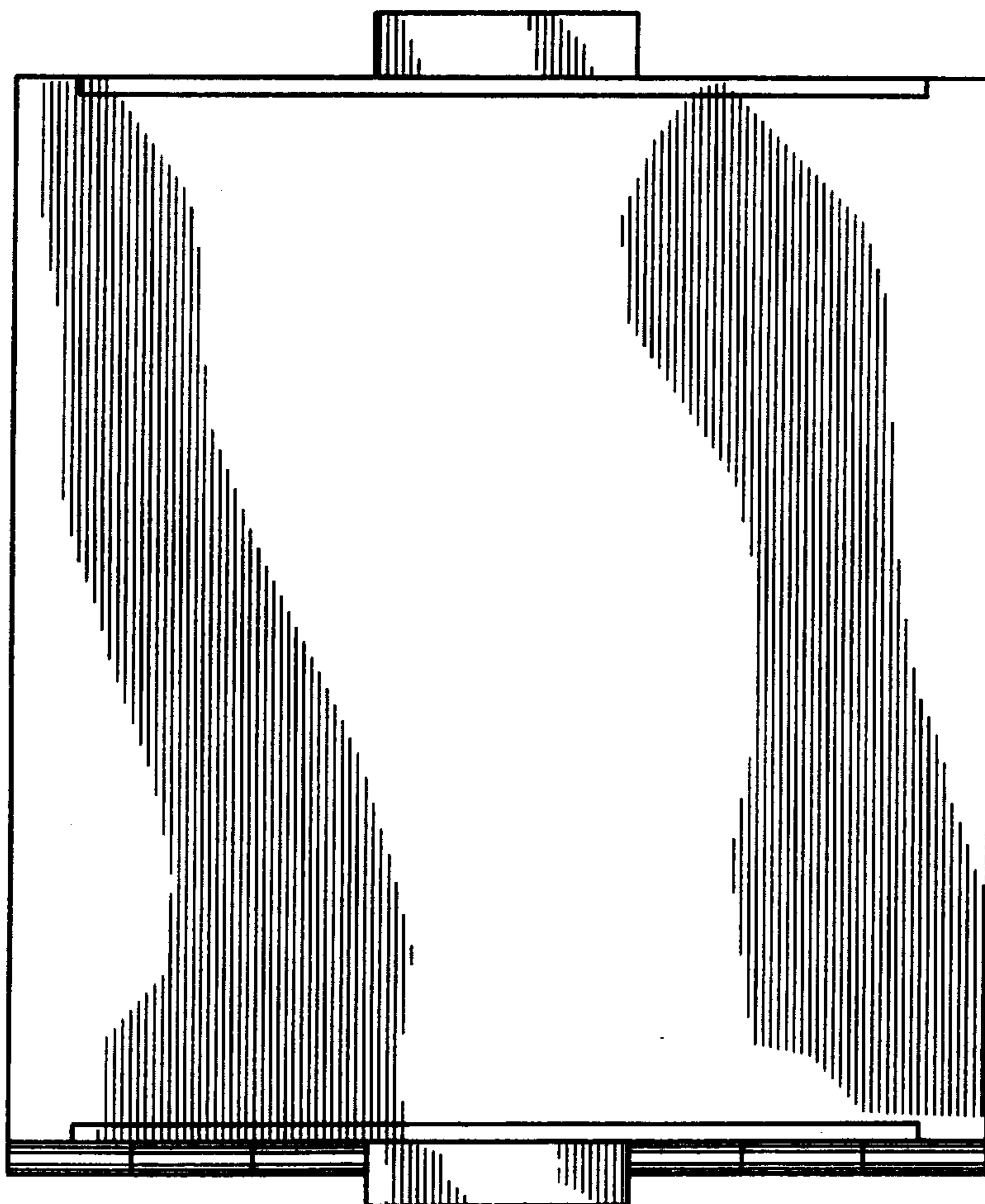


FIG. 3

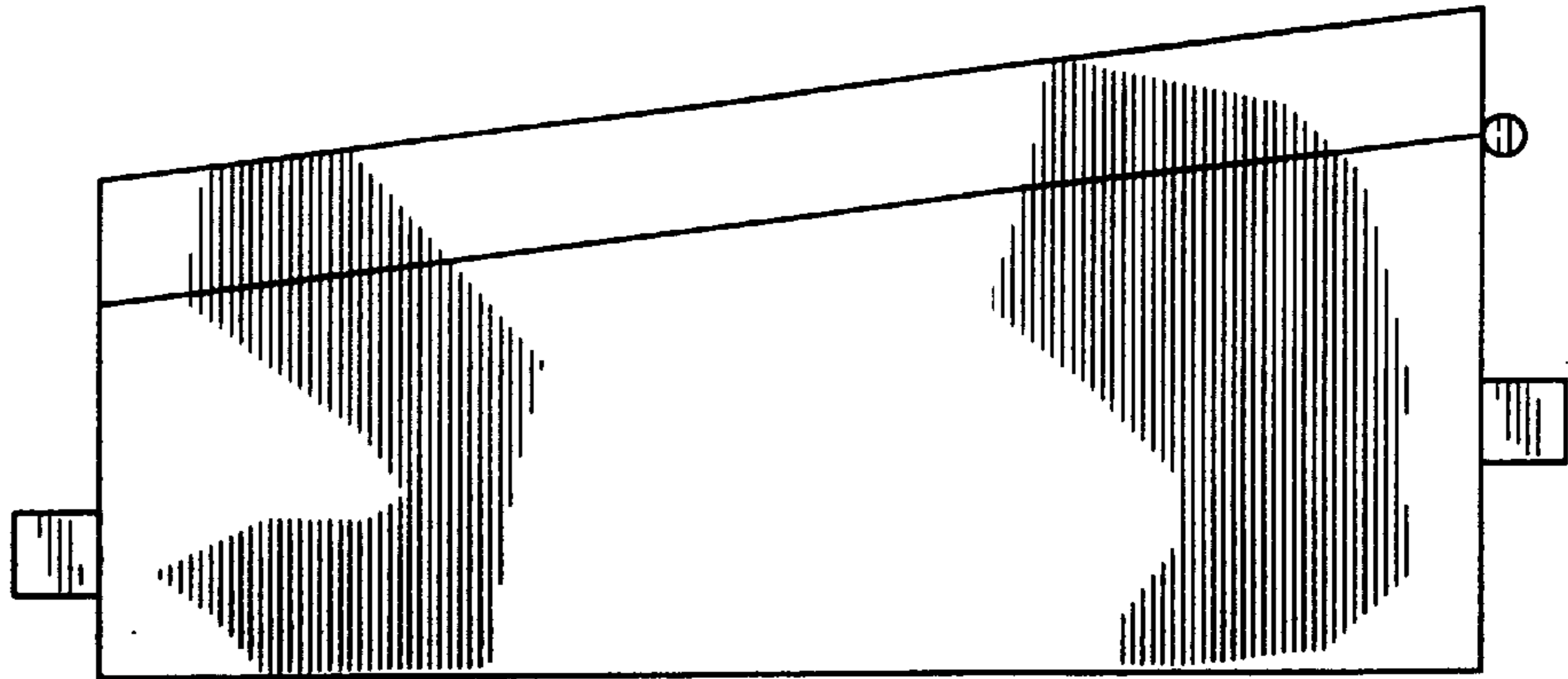


FIG. 6

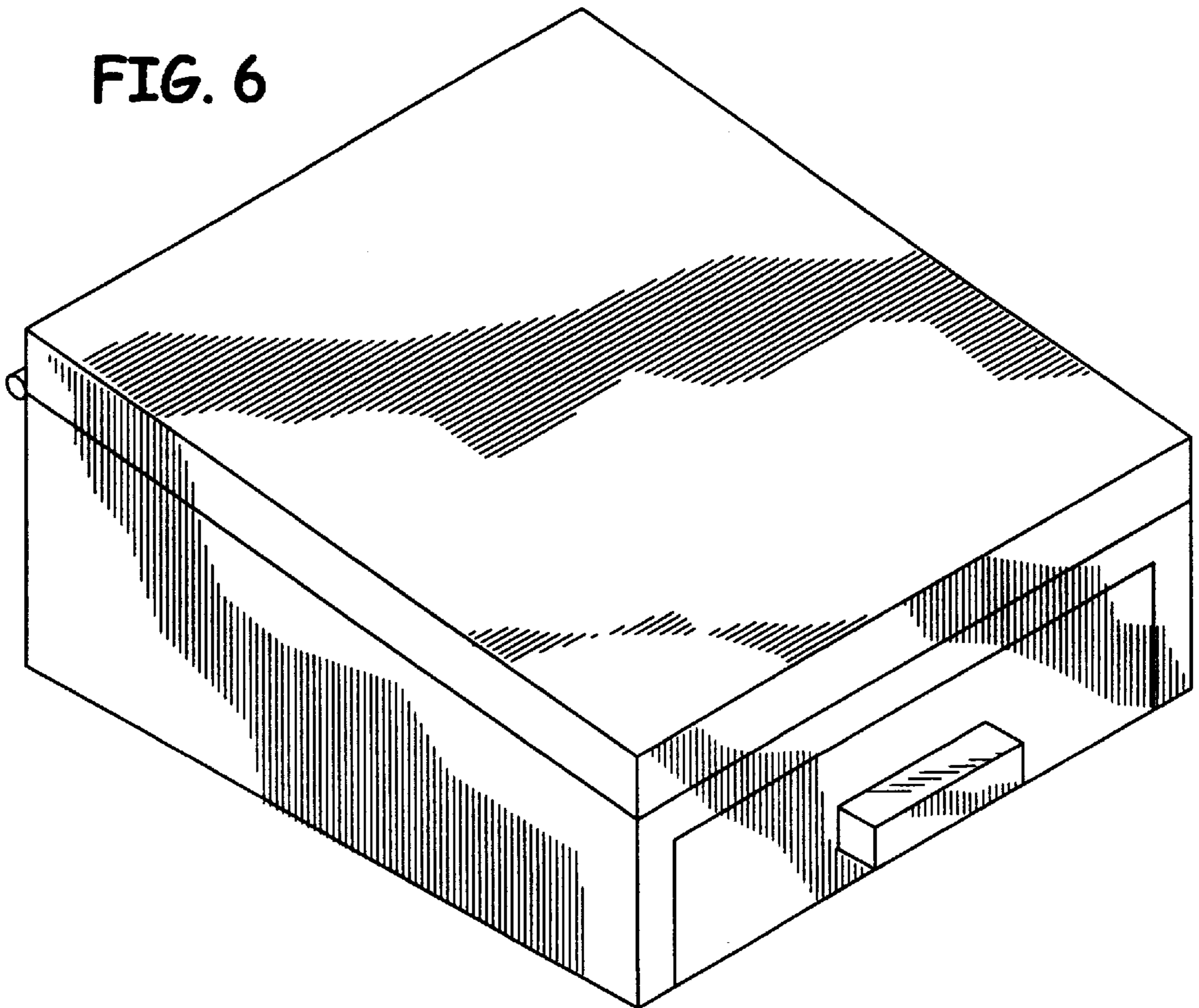


FIG. 7

