



US00D432304S

United States Patent [19]

[11] Patent Number: Des. 432,304

Zurwelle et al.

[45] Date of Patent: ** Oct. 24, 2000

[54] KIT BOX

[75] Inventors: Donald W. Zurwelle, Lutherville, Md.;
Meyric K. Rogers, Lancaster, Pa.;
Bruce M. Waters, Lancaster, Pa.;
Bradford Hollinger, Lancaster, Pa.;
Max Kessler, Ephrata, Pa.

[73] Assignee: Black & Decker Inc., Newark, Del.

[**] Term: 14 Years

[21] Appl. No.: 29/111,154

[22] Filed: Sep. 20, 1999

Related U.S. Application Data

[62] Division of application No. 29/103,174, Feb. 17, 1999, which is a continuation of application No. 29/065,755, Nov. 25, 1996, abandoned, which is a continuation of application No. 29/055,143, May 30, 1996, abandoned.

[51] LOC (7) Cl. 03-01

[52] U.S. Cl. D3/281; D3/276

[58] Field of Search D3/273, 276, 281,
D3/282, 905, 291; 206/349, 372, 373; 190/110,
111, 112, 113, 114

[56] References Cited

U.S. PATENT DOCUMENTS

D. 62,042	3/1923	Yarder	D3/905
D. 194,339	1/1963	Harty et al.	D3/282
D. 205,579	8/1966	Schurman	D3/281
D. 220,151	3/1971	Waters .	
D. 220,233	3/1971	Schurman .	
D. 221,317	7/1971	Muller	D3/905
D. 222,012	9/1971	Harris	D3/282
D. 236,291	8/1975	Schurman .	
D. 257,191	10/1980	Wilcox	D3/282
D. 260,454	9/1981	Pepicelli et al.	D3/282
D. 260,456	9/1981	Davies et al.	D3/282
D. 286,231	10/1986	Werk	D3/282
D. 294,776	3/1988	Gander et al.	D3/282
D. 300,036	2/1989	Mariol	D3/281
D. 306,936	4/1990	McMillan et al.	D3/276
D. 309,143	7/1990	Yang	D3/281
D. 314,667	2/1991	Hussain	D3/282
D. 316,332	4/1991	Bridges et al.	D3/281
D. 321,433	11/1991	Dickinson	D3/282

D. 321,985	12/1991	Ward	D3/282
D. 322,889	1/1992	Ward	D3/281
D. 328,189	7/1992	Hillinger	D3/282
D. 331,836	12/1992	Newby, Sr.	D3/905
D. 346,825	5/1994	Ros	D3/905
D. 347,114	5/1994	Tengvall	D3/281
D. 347,731	6/1994	Hayakawa	D3/282
D. 353,048	12/1994	VanSkiver et al.	D3/276
D. 353,265	12/1994	Newby, Sr.	D3/269
D. 358,709	5/1995	Chang	D3/282
D. 364,957	12/1995	Turbowitz	D3/276
D. 374,771	10/1996	Guegan et al.	D3/276
D. 377,714	2/1997	Fenton	D3/260
D. 379,715	6/1997	Yemini	D3/282
D. 382,115	8/1997	Chang	D3/282
3,730,376	5/1973	Schurman .	
3,933,381	1/1976	Schurman .	
4,340,139	7/1982	Wilcox et al.	206/349
4,773,536	9/1988	Rau	206/379
4,927,021	5/1990	Taylor	206/373
5,114,007	5/1992	Chen	206/373
5,533,843	7/1996	Chung	206/349

FOREIGN PATENT DOCUMENTS

M8804317	8/1990	Germany .
M8906945	12/1990	Germany .
M9004761	4/1991	Germany .
M9204522	12/1992	Germany .
DM025421	3/1993	Hague Agreement .
DU022097	2/1992	WIPO .
DU030317	8/1994	WIPO .

Primary Examiner—Philip S. Hyder
Attorney, Agent, or Firm—Charles E. Yocum; Michael P. Leary; Bruce S. Shapiro

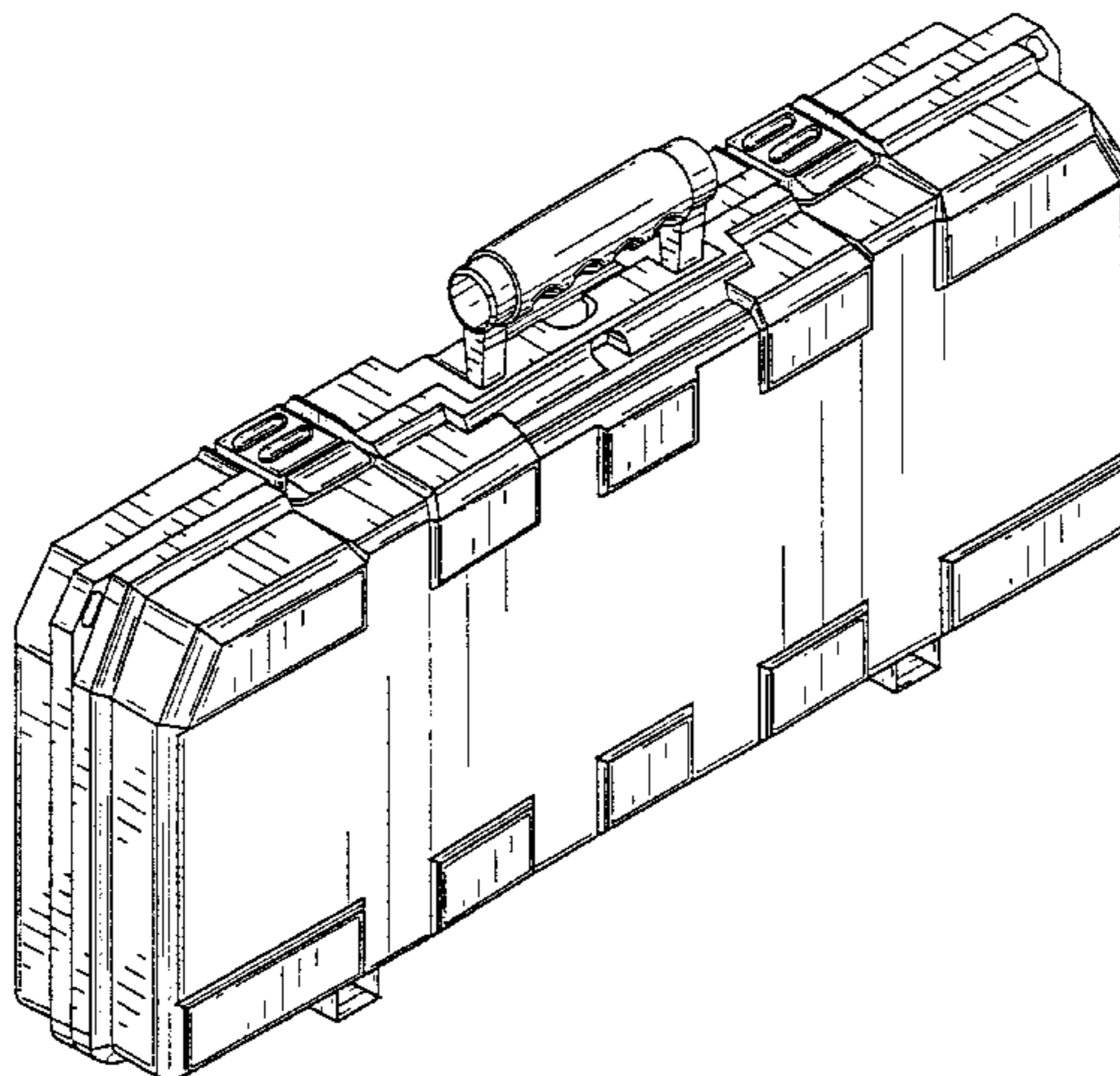
[57] CLAIM

The ornamental design for a kit box, as shown and described.

DESCRIPTION

FIG. 1 is a front perspective view of a kit box showing our new design.
FIG. 2 is a front elevational view of the kit box.
FIG. 3 is a rear elevational view of the kit box.
FIG. 4 is a left side elevational view of the kit box.
FIG. 5 is a right side elevational view of the kit box.
FIG. 6 is a top plan view of the kit box; and,
FIG. 7 is a bottom plan view of the kit box.

1 Claim, 7 Drawing Sheets



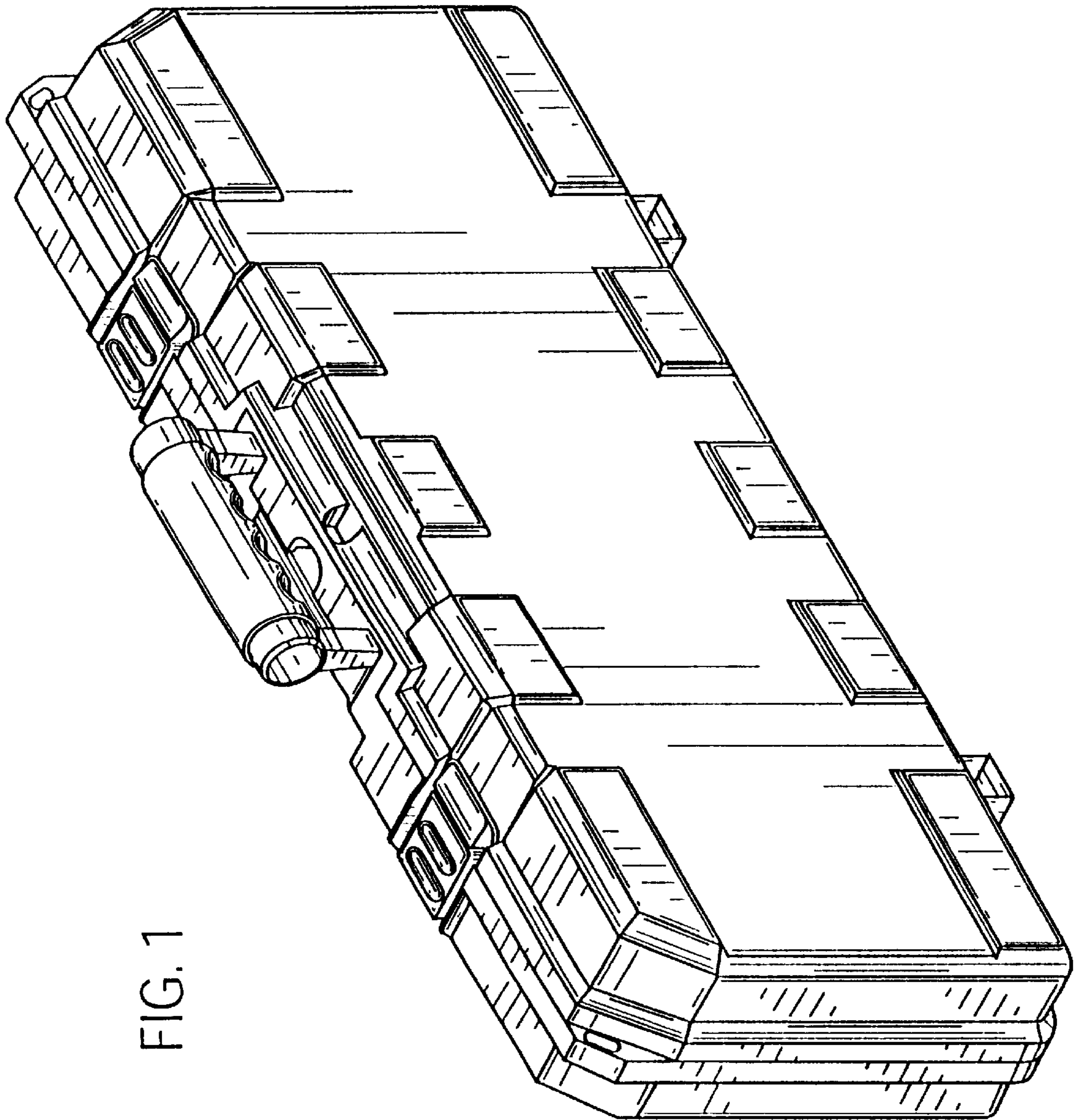


FIG. 1

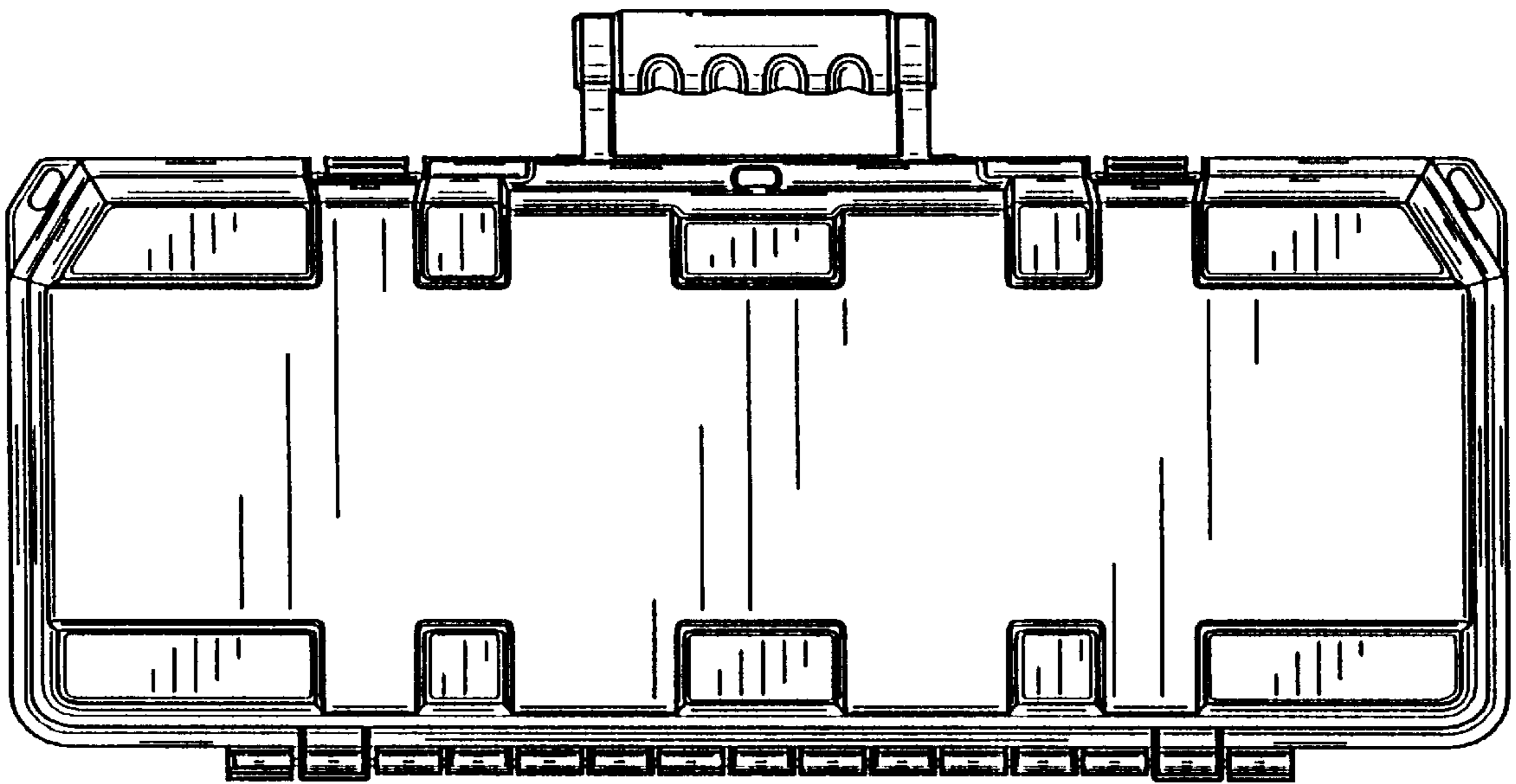


FIG. 2

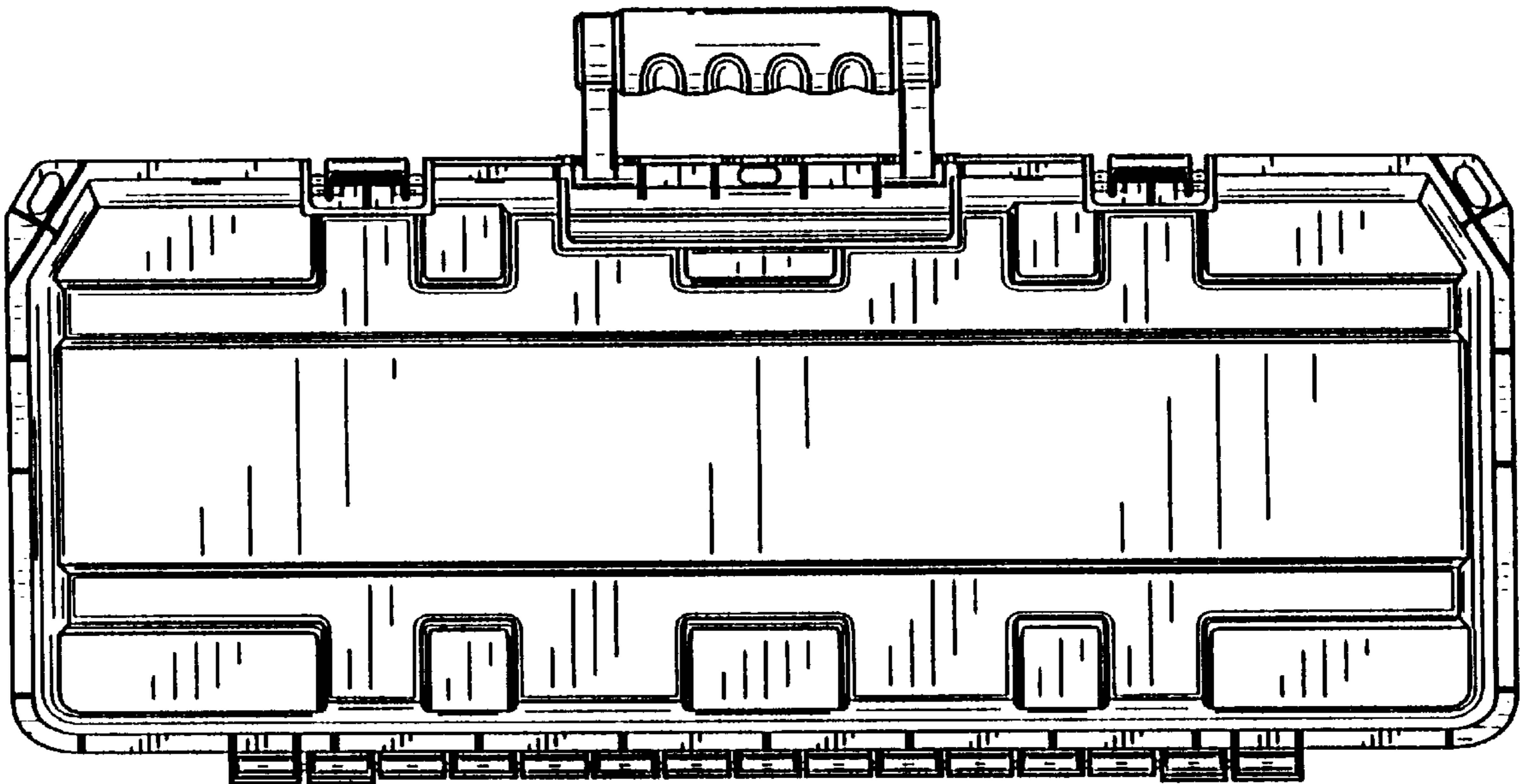


FIG. 3

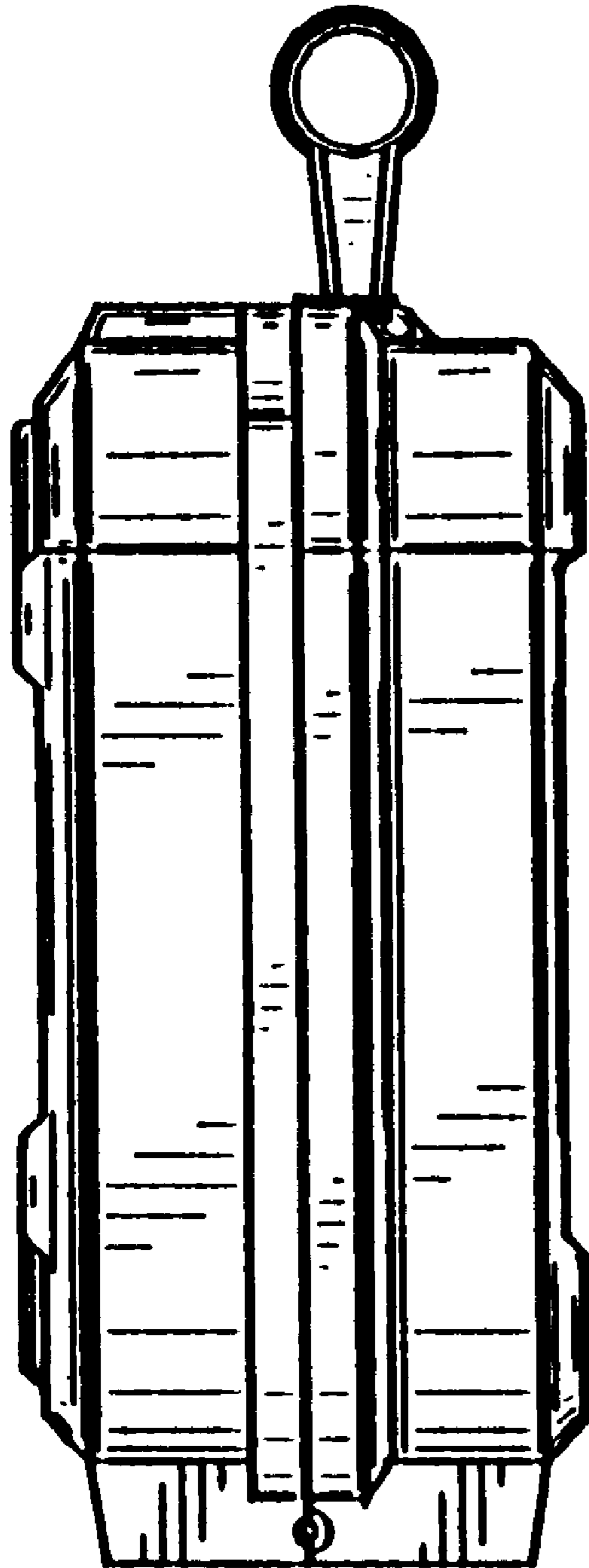


FIG. 4

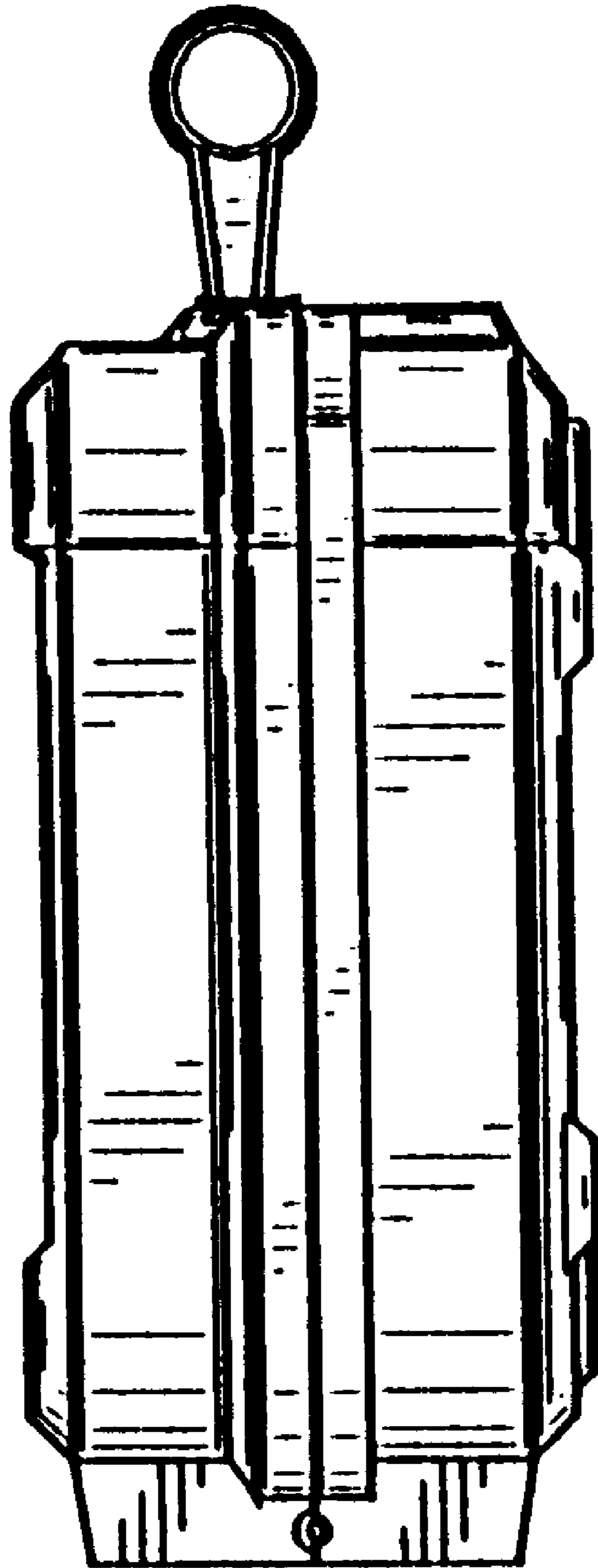


FIG. 5

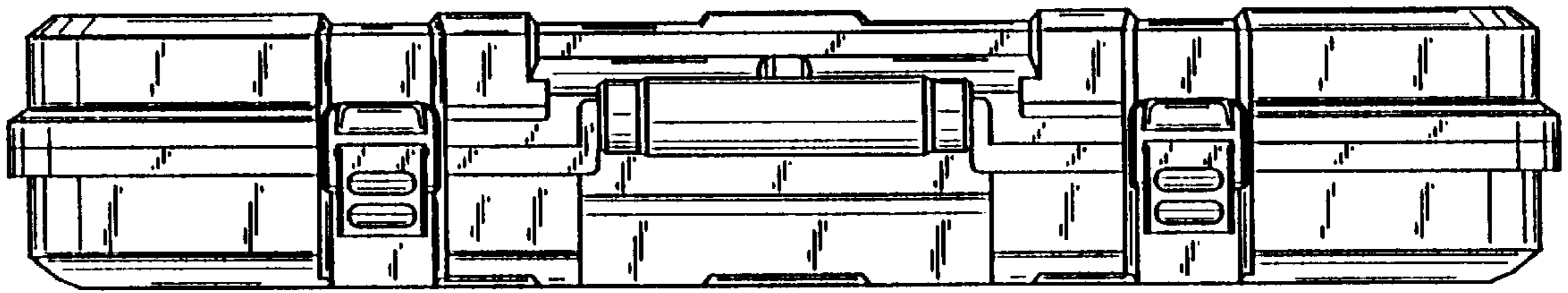


FIG. 6

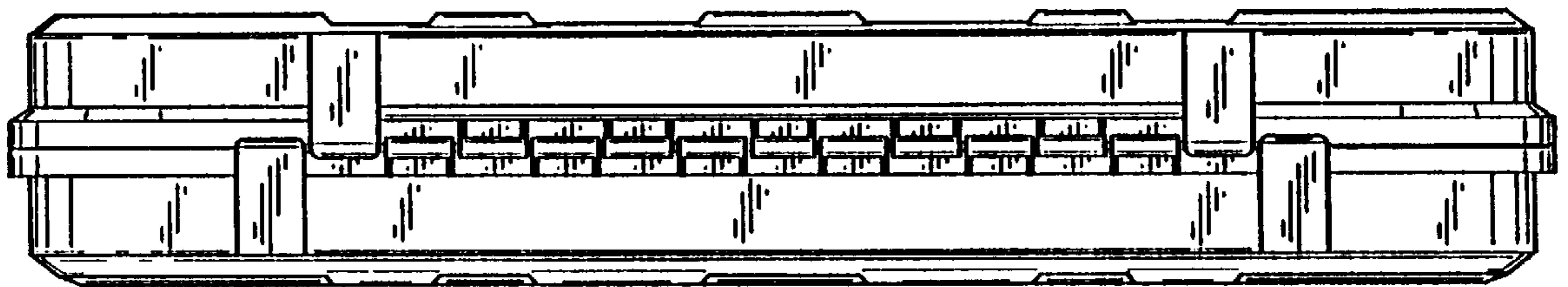


FIG. 7