



US00D432303S

# United States Patent [19] Wheat

[11] **Patent Number: Des. 432,303**

[45] **Date of Patent: \*\* Oct. 24, 2000**

[54] **BRIEFCASE**

[76] **Inventor: Cleveland E. Wheat**, 11601 Windbluff Ct., Reston, Va. 20191

[\*\*] **Term: 14 Years**

[21] **Appl. No.: 29/105,488**

[22] **Filed: May 26, 1999**

[51] **LOC (7) Cl. .... 03-01**

[52] **U.S. Cl. .... D3/276; D3/900**

[58] **Field of Search** ..... D3/273, 276, 279, D3/294, 900; 190/110, 111, 112, 113, 114, 115, 900, 107

4,014,416	3/1977	Golden .....	190/112
4,067,422	1/1978	Eberle .....	190/112
4,790,417	12/1988	Tomikawa et al. ....	190/112
4,837,590	6/1989	Sprague .....	190/112
5,839,553	11/1998	Dorsam .....	190/109

*Primary Examiner*—Philip S. Hyder  
*Attorney, Agent, or Firm*—Amster, Rothstein & Ebenstein

### [57] CLAIM

The ornamental design for a briefcase, as shown and described.

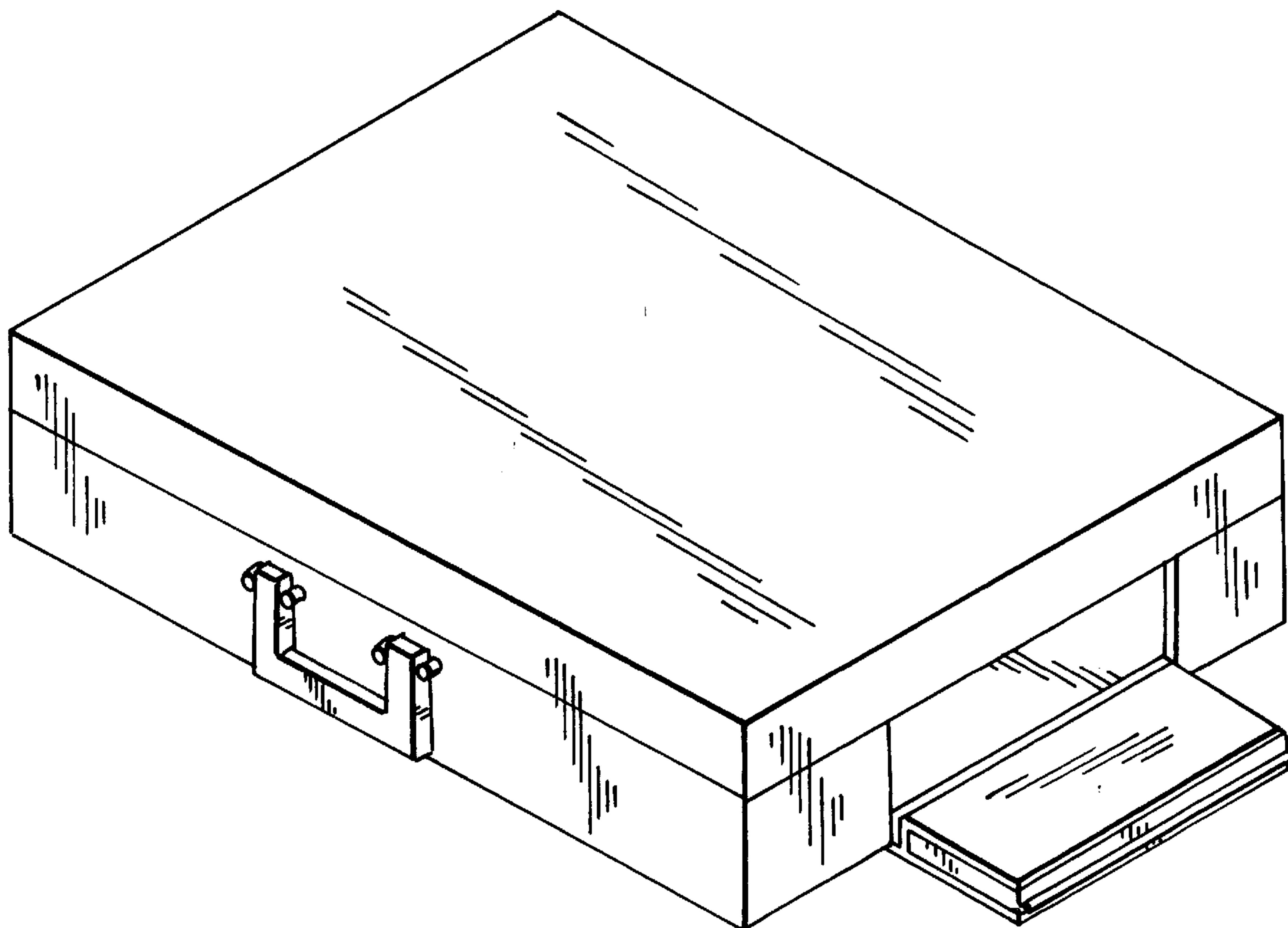
### DESCRIPTION

FIG. 1 is a perspective view of a briefcase showing my new design;  
FIG. 2 is a right side elevational view thereof;  
FIG. 3 is a left side elevational view thereof;  
FIG. 4 is a front elevational view thereof;  
FIG. 5 is a rear elevational view thereof;  
FIG. 6 is a top plan view thereof; and,  
FIG. 7 is a bottom plan view.

**1 Claim, 5 Drawing Sheets**

[56] **References Cited**  
U.S. PATENT DOCUMENTS

D. 314,083	1/1991	Hankinson .....	D3/276
D. 336,427	6/1993	Mainiero .....	D9/423
D. 399,653	10/1998	Shellenberger et al. ....	D3/273
2,541,890	2/1951	Schaperkotter et al. ....	190/900
3,912,055	10/1975	Malooly .....	190/52



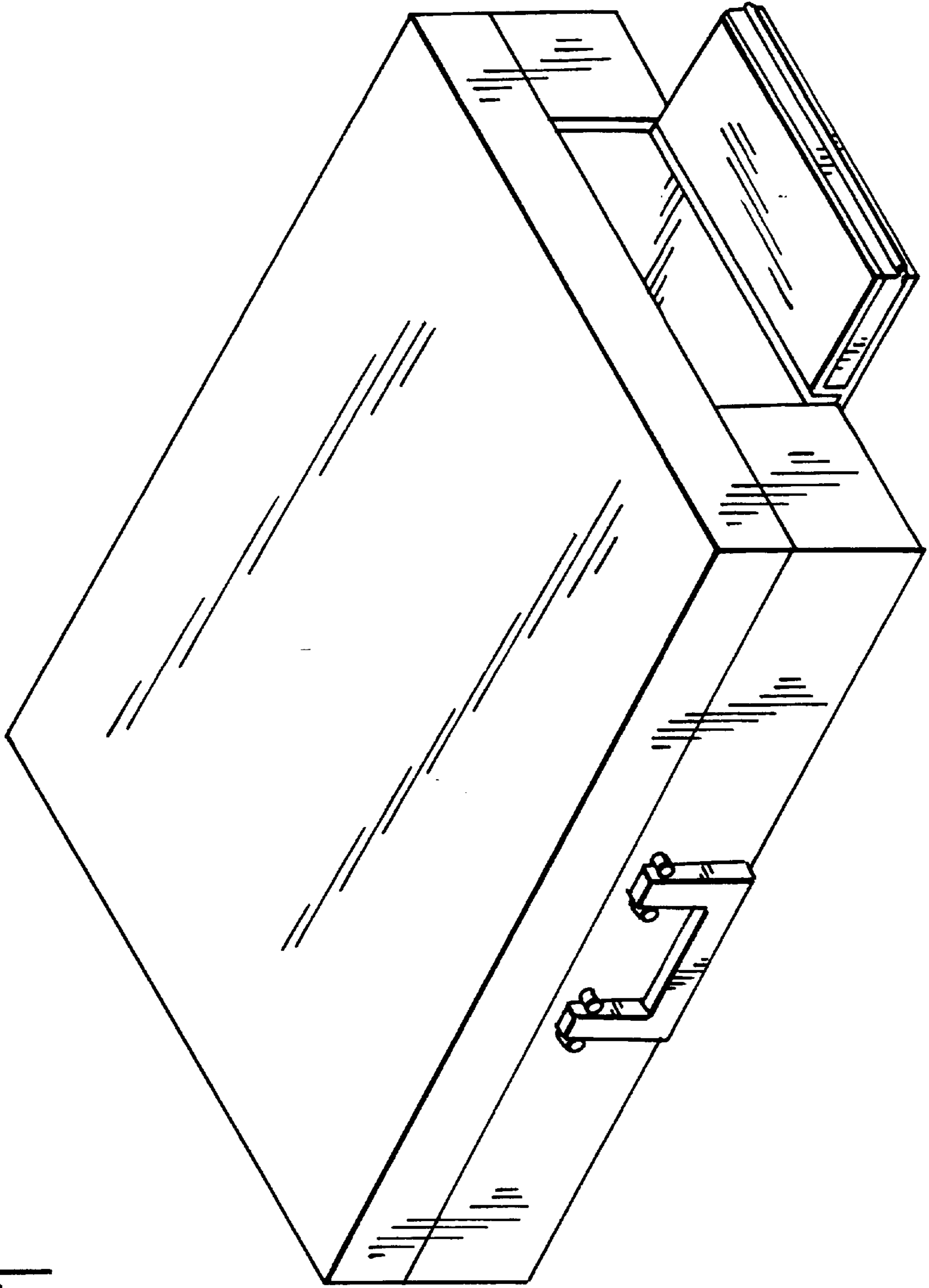


FIG. 1

FIG. 2

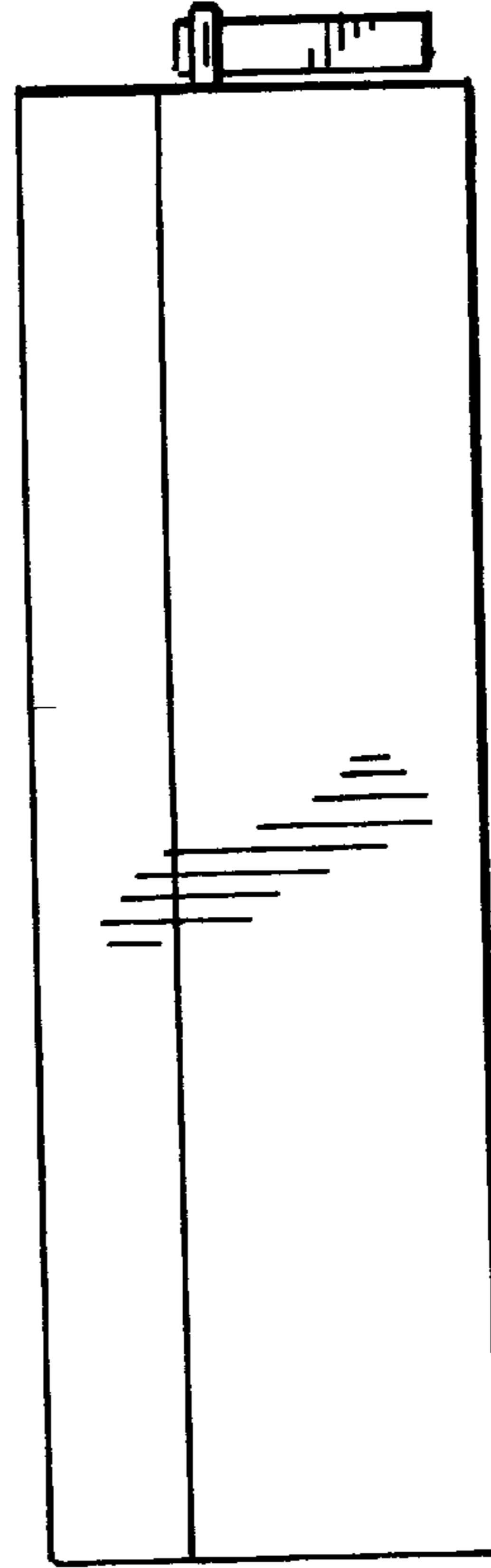
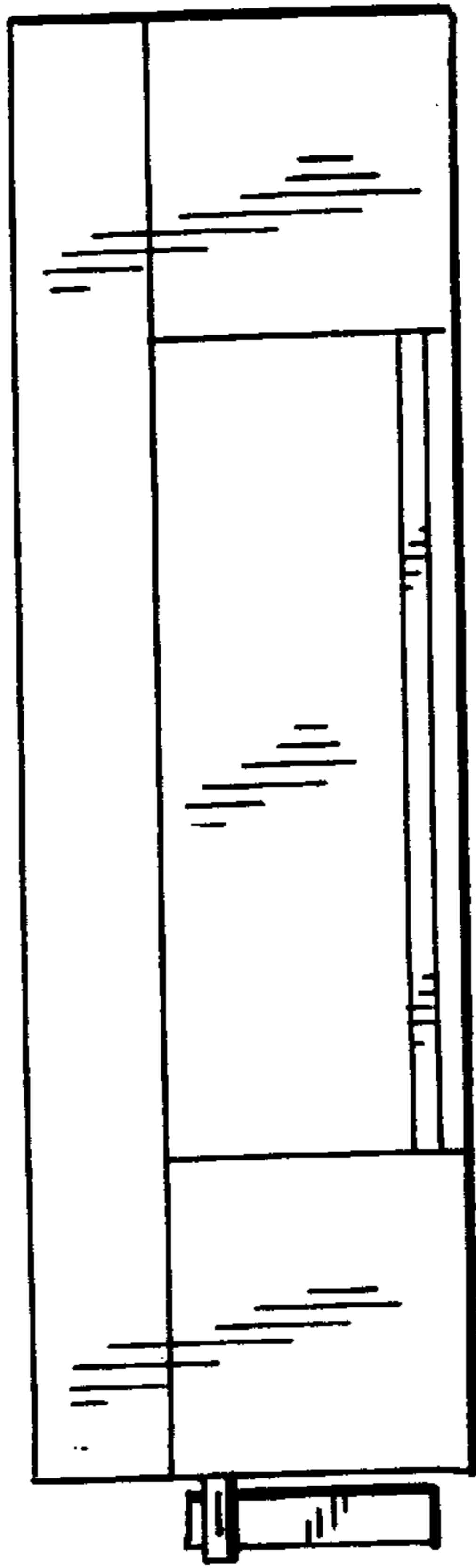


FIG. 3

FIG. 4

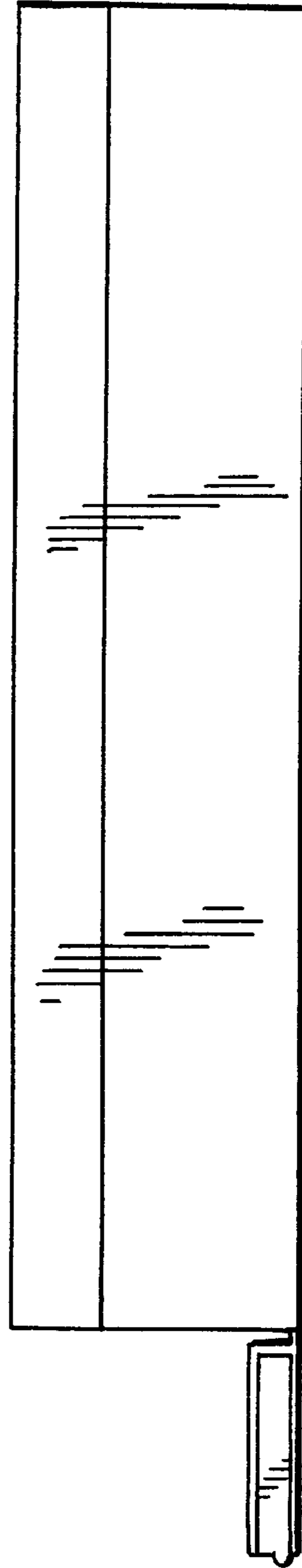
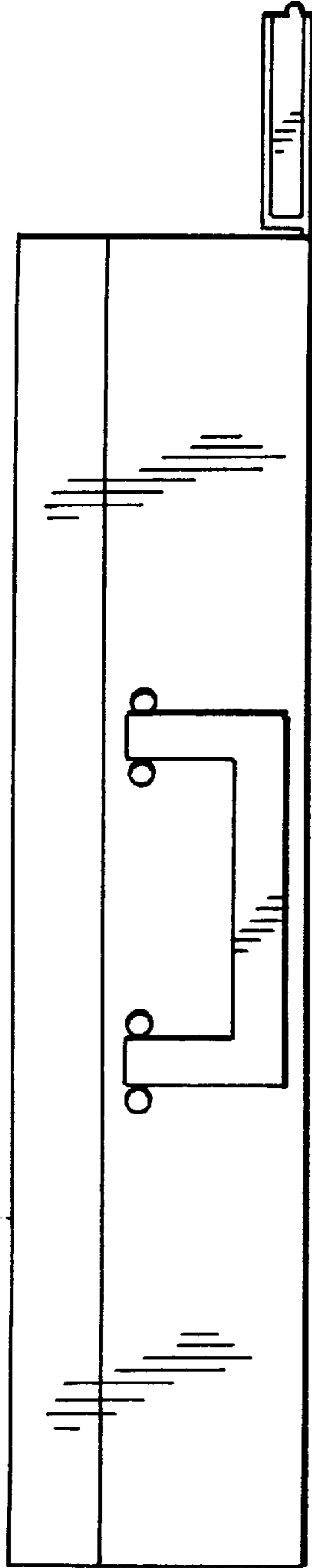


FIG. 5

FIG. 6

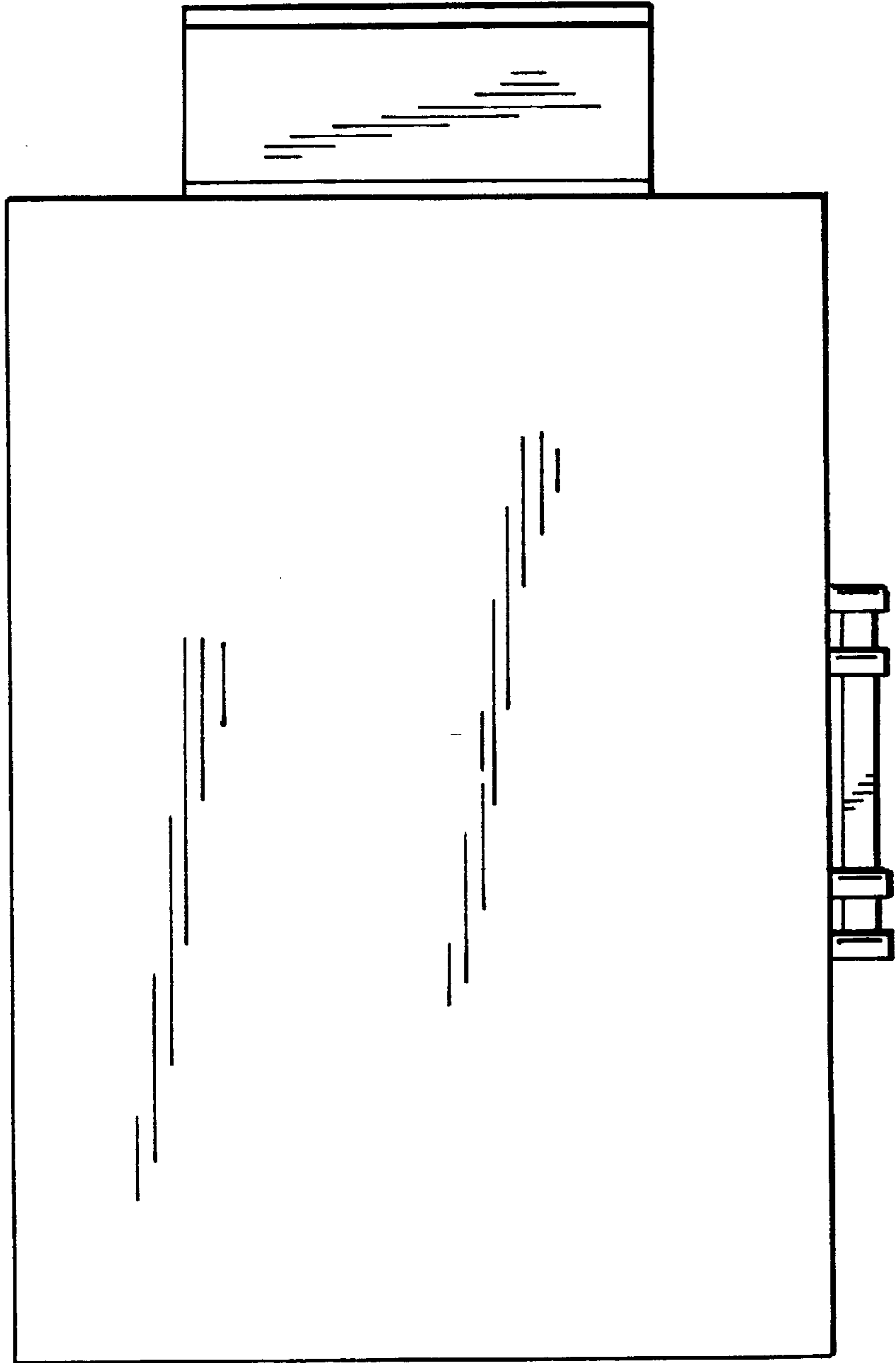


FIG. 7

