

US00D432293S

United States Patent [19] Clegg et al.

[11] Patent Number: **Des. 432,293**

[45] Date of Patent: **** Oct. 24, 2000**

[54] **PORTION OF A SHOE OUTSOLE**

[75] Inventors: **Damon Clegg; John Hoke**, both of
Portland, Oreg.

[73] Assignee: **Nike, Inc.**, Beaverton, Oreg.

[**] Term: **14 Years**

[21] Appl. No.: **29/121,972**

[22] Filed: **Apr. 19, 2000**

[51] **LOC (7) Cl.** **02-04**

[52] **U.S. Cl.** **D2/955; D2/954; D2/947**

[58] **Field of Search** D2/760, 902, 904,
D2/908, 909, 911, 914, 916, 920, 946-948,
951-962, 964, 972, 977; 36/22 R, 24.5,
25 A, 25 R, 28, 29, 32 R, 43, 59 C, 59 R,
102, 103, 129, 134, 149

[56] **References Cited**

U.S. PATENT DOCUMENTS

D. 68,144	7/1925	Johnson .	
D. 108,320	2/1938	Eldon .	
D. 127,776	6/1941	Barber	D2/955
D. 166,742	5/1952	Fellman .	
D. 219,503	12/1970	Vietas	D2/956
D. 293,276	12/1987	Schmidt-Delvin et al. .	
D. 310,294	9/1990	Peterson .	
D. 323,738	2/1992	Eisenbach .	
D. 325,815	5/1992	Bass .	
D. 338,325	8/1993	Avar .	
D. 366,754	2/1996	Valverde	D2/954
D. 368,157	3/1996	Erickson .	
D. 388,595	1/1998	Lucas .	
D. 390,347	2/1998	Bathum .	
D. 391,044	2/1998	Backus .	
D. 392,438	3/1998	Backus .	
D. 392,445	3/1998	Tresser .	
D. 392,447	3/1998	Backus .	
D. 392,448	3/1998	Backus	D2/954
D. 394,942	6/1998	Campbell et al. .	
D. 398,746	9/1998	Rask	D2/955
D. 401,044	11/1998	Heine	D2/954
D. 403,147	12/1998	Erickson .	
D. 406,938	3/1999	Lin .	
D. 411,244	6/1999	Robinson et al. .	

D. 422,400	4/2000	Brady et al.	D2/902
2,582,053	1/1952	Merlin .	
2,669,038	2/1954	Werth	36/38
3,156,988	11/1964	Rause	36/81
4,178,702	12/1979	Mayer .	

OTHER PUBLICATIONS

Nike 1984 Shoe Show Footwear Catalog, p. 44 published Nov. 1983.
 Nick Fall 1986 Footwear Catalog, pp. 78 and 80, published Jan. 1986.
 Nike Spring 1987 Team Sales Footwear Catalog, p. 51, published Aug. 1986.
 Nike Late Spring 1996 Footwear Catalog, p. 13, published Aug. 1995.
 Nike Holiday 1997 Footwear Catalog, pp. 83 and 91, published Mar. 1997.
 Nike Spring 1998 Footwear Catalog, pp. 77, 80, 81 and 85, published Jun. 1997.
 Nike Late Spring 1998 Footwear Catalog, pp. 91 and 92, published Sep. 1997.
 Nike Holiday 1998 Footwear Catalog, p. M115, published Mar. 1998.

Primary Examiner—Celia Murphy
Attorney, Agent, or Firm—Banner & Witcoff, Ltd.

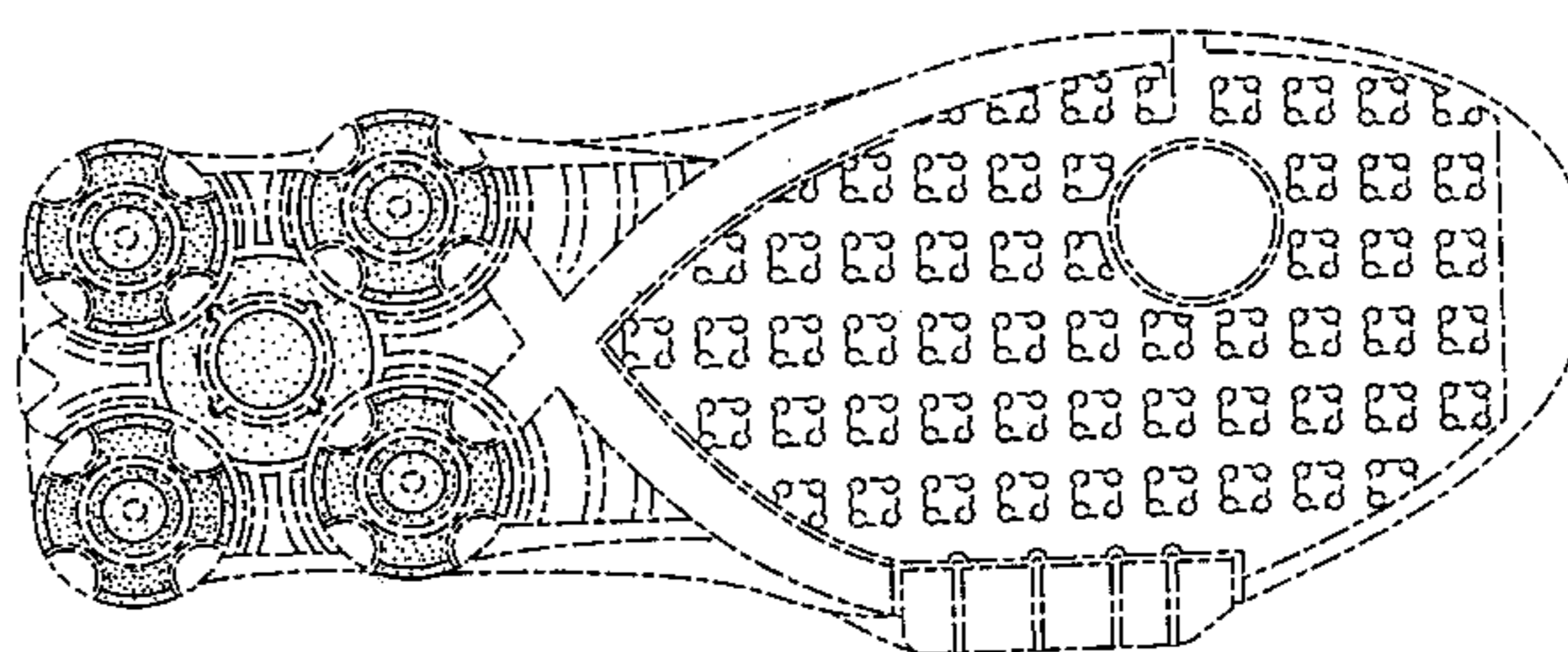
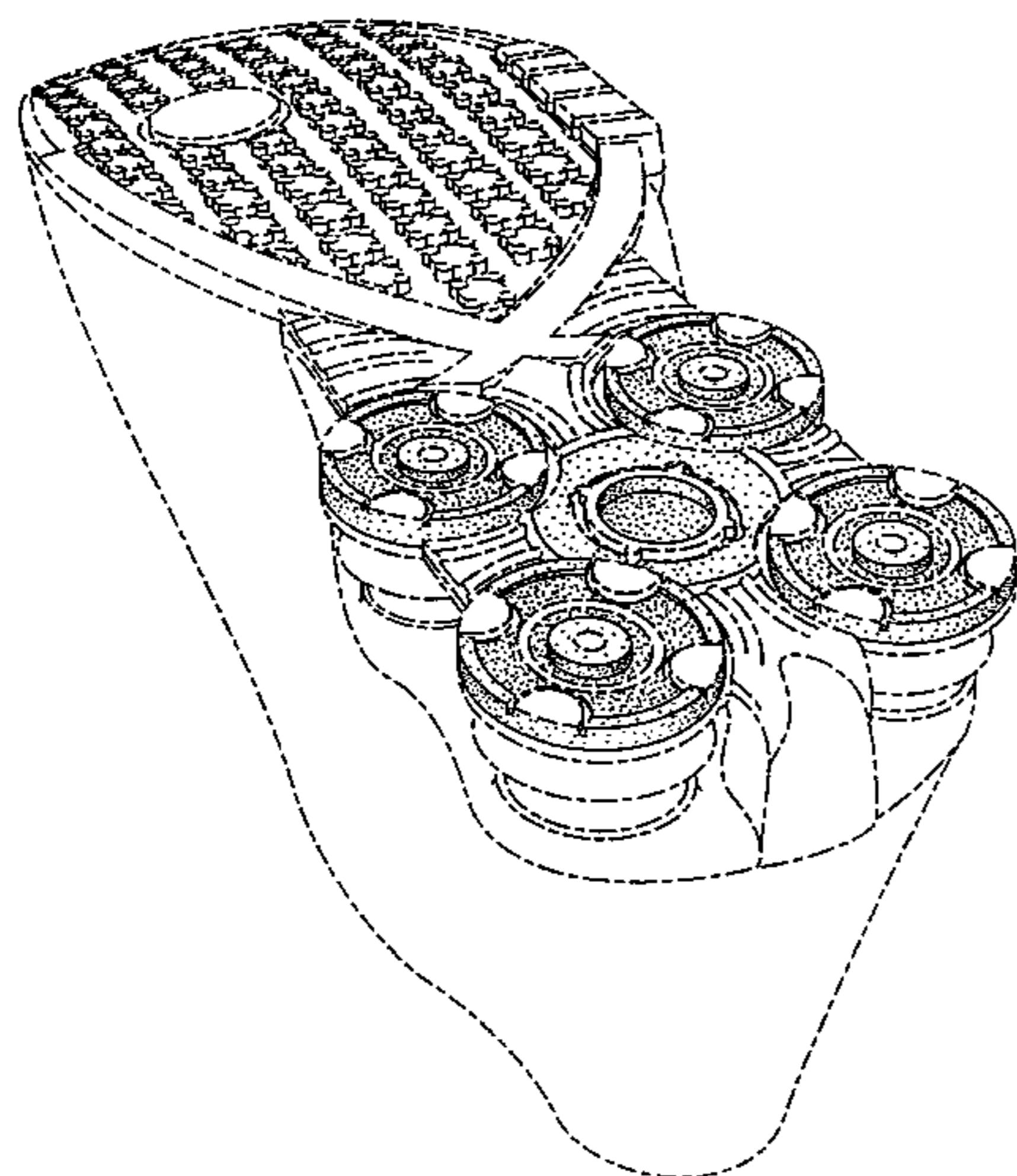
[57] **CLAIM**

The ornamental design for a portion of a shoe outsole, as shown and described.

DESCRIPTION

FIG. 1 is a first perspective view of a portion of a shoe outsole showing our new design;
 FIG. 2 is a second perspective elevational view thereof taken from the opposite corner of the claimed portion; and,
 FIG. 3 is a top plan view thereof.
 The claimed invention includes those portions which are shown in solid lines and shaded with stippling. The broken line showings of various features including the unshaded semi-circles, unshaded concentric rings, small unshaded circles, and the remainder of the shoe are for illustrative purposes only and form no part of the claimed design.

1 Claim, 3 Drawing Sheets



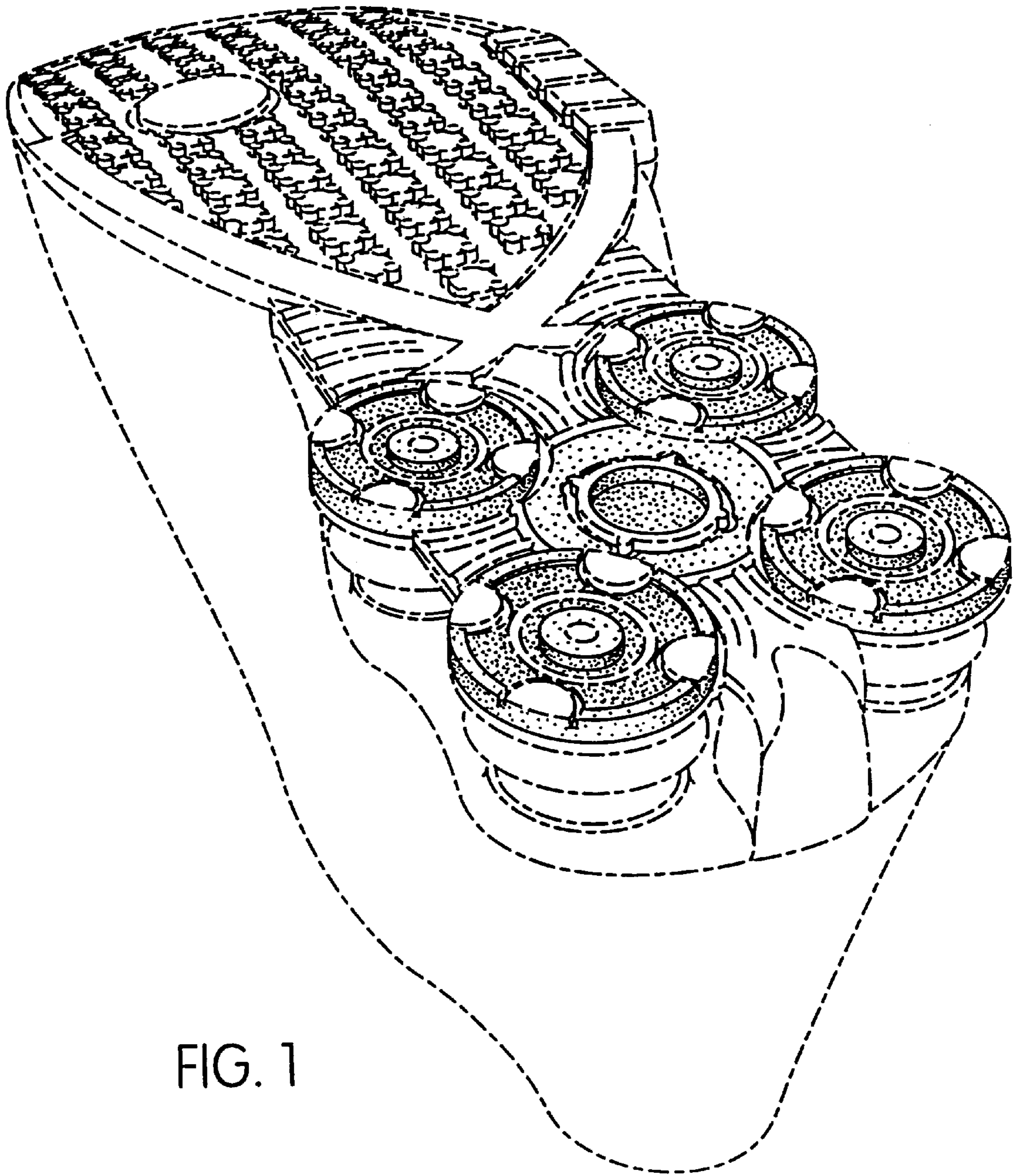


FIG. 1

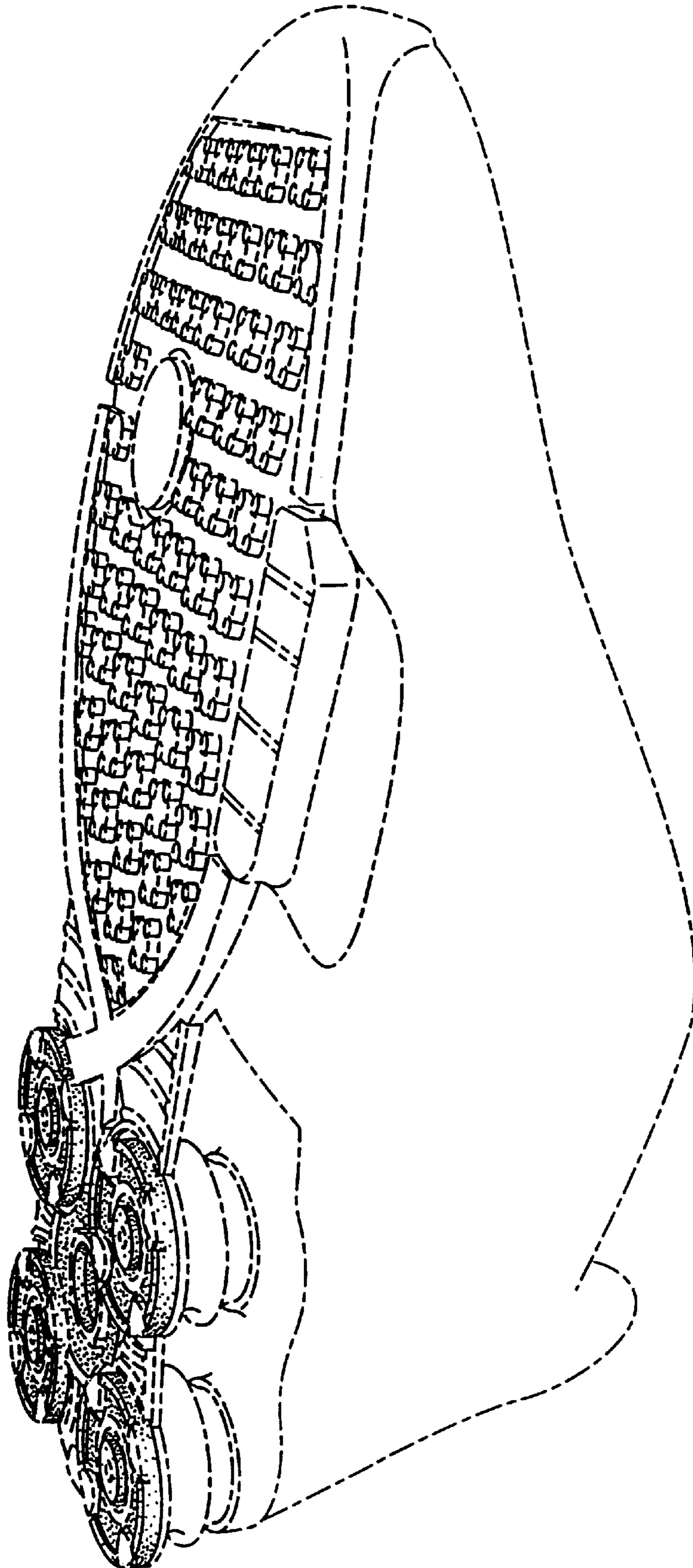


FIG. 2

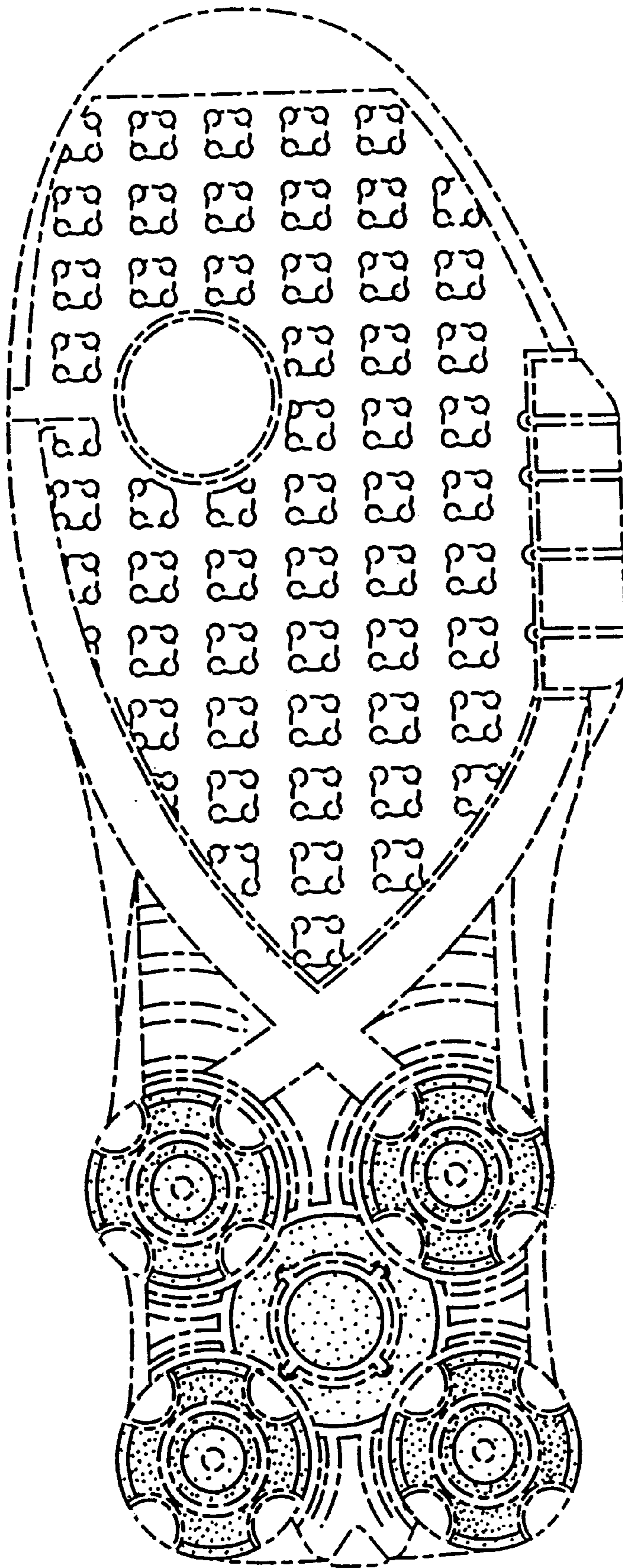


FIG. 3