



US00D432286S

United States Patent [19] Irie

[11] Patent Number: Des. 432,286

[45] Date of Patent: ** Oct. 17, 2000

[54] MOUNTING DOOR FOR COIN SELECTOR AND CASH BOX

[75] Inventor: Yasuo Irie, Iwatsuki, Japan

[73] Assignee: Asahi Seiko Co., Ltd., Tokyo, Japan

[**] Term: 14 Years

[21] Appl. No.: 29/118,368

[22] Filed: Feb. 7, 2000

[30] Foreign Application Priority Data

Aug. 20, 1999 [JP] Japan 11-22065

[51] LOC (7) Cl. 99-00

[52] U.S. Cl. D99/34; D20/9; D99/43

[58] Field of Search D99/28, 34, 43;
D20/9; 194/244, 219, 302, 334, 345, 346,
350; 40/323

[56] References Cited

U.S. PATENT DOCUMENTS

- D. 351,193 10/1994 Abe .
- D. 351,194 10/1994 Gorst et al. D20/9

- D. 351,421 10/1994 Abe .
- D. 395,133 6/1998 Mikami et al. D99/43
- D. 399,633 10/1998 Tsuchida D99/34
- D. 400,929 11/1998 Tanaka .
- D. 401,283 11/1998 Tanaka .
- 3,194,378 7/1965 Greenward 194/346
- 4,509,631 4/1985 Kim 194/350 X

Primary Examiner—Paula A. Mortimer
Attorney, Agent, or Firm—Price, Gess & Ubell

[57] CLAIM

I claim the ornamental design for a mounting door for coin selector and cash box, as shown and described.

DESCRIPTION

FIG. 1 is a front elevational view of a mounting door for coin selector and cash box showing my new design; FIG. 2 is a rear elevational view thereof; FIG. 3 is a top plan view thereof; FIG. 4 is a bottom plan view; FIG. 5 is a left side elevational view thereof; FIG. 6 is a right side elevational view; and, FIG. 7 is a front perspective view thereof, the broken lines are not part of the claimed design.

1 Claim, 5 Drawing Sheets

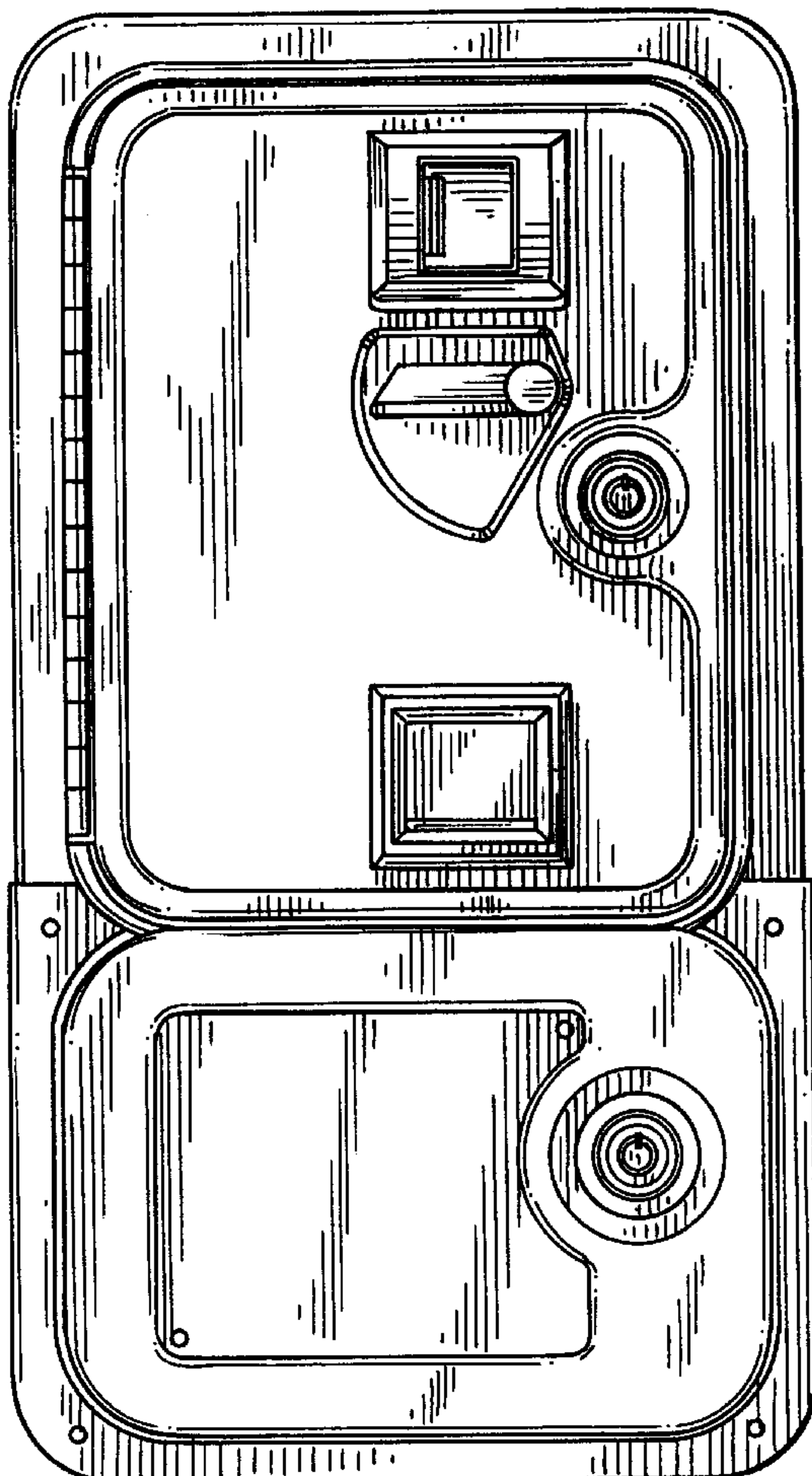


FIG. 1

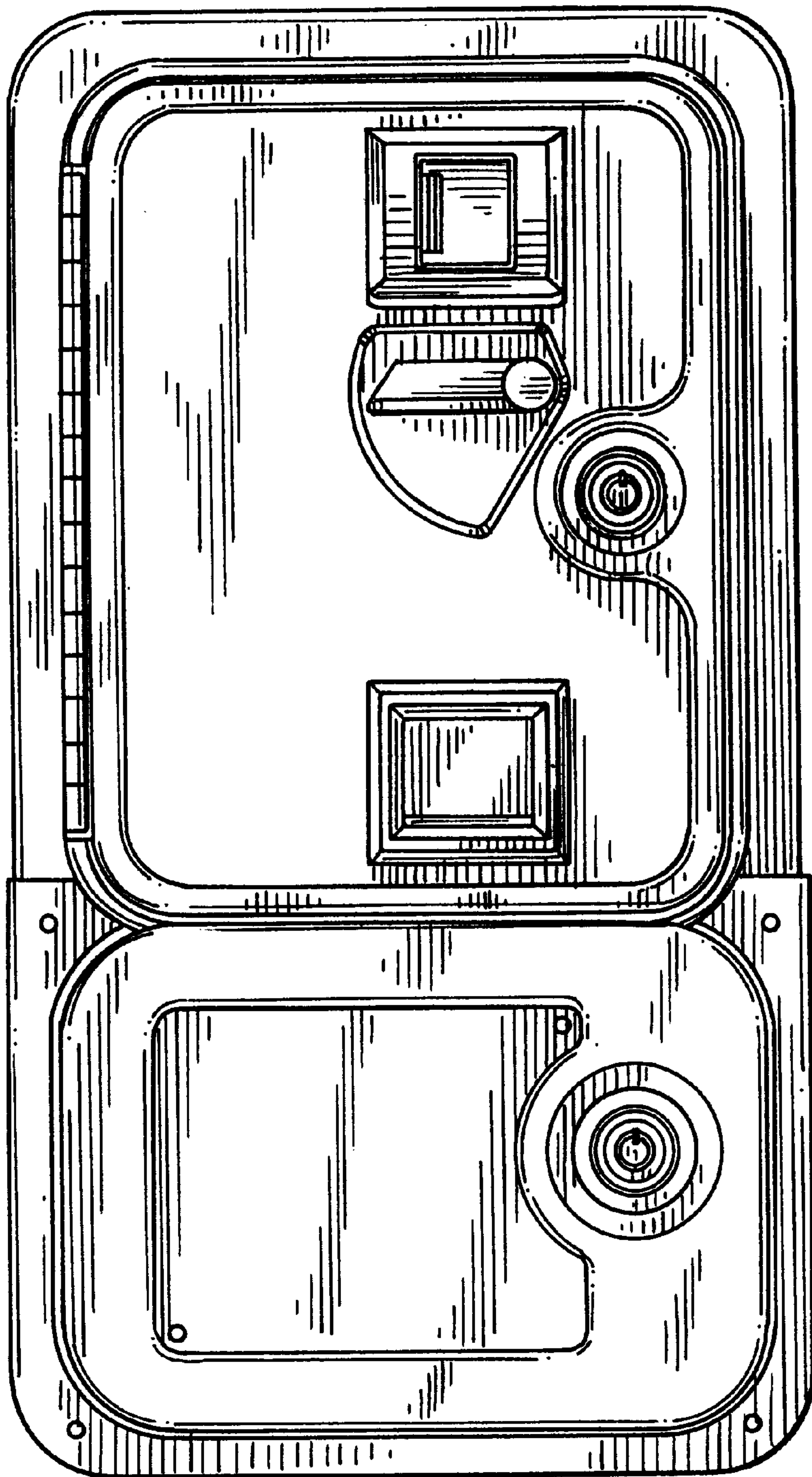


FIG. 2

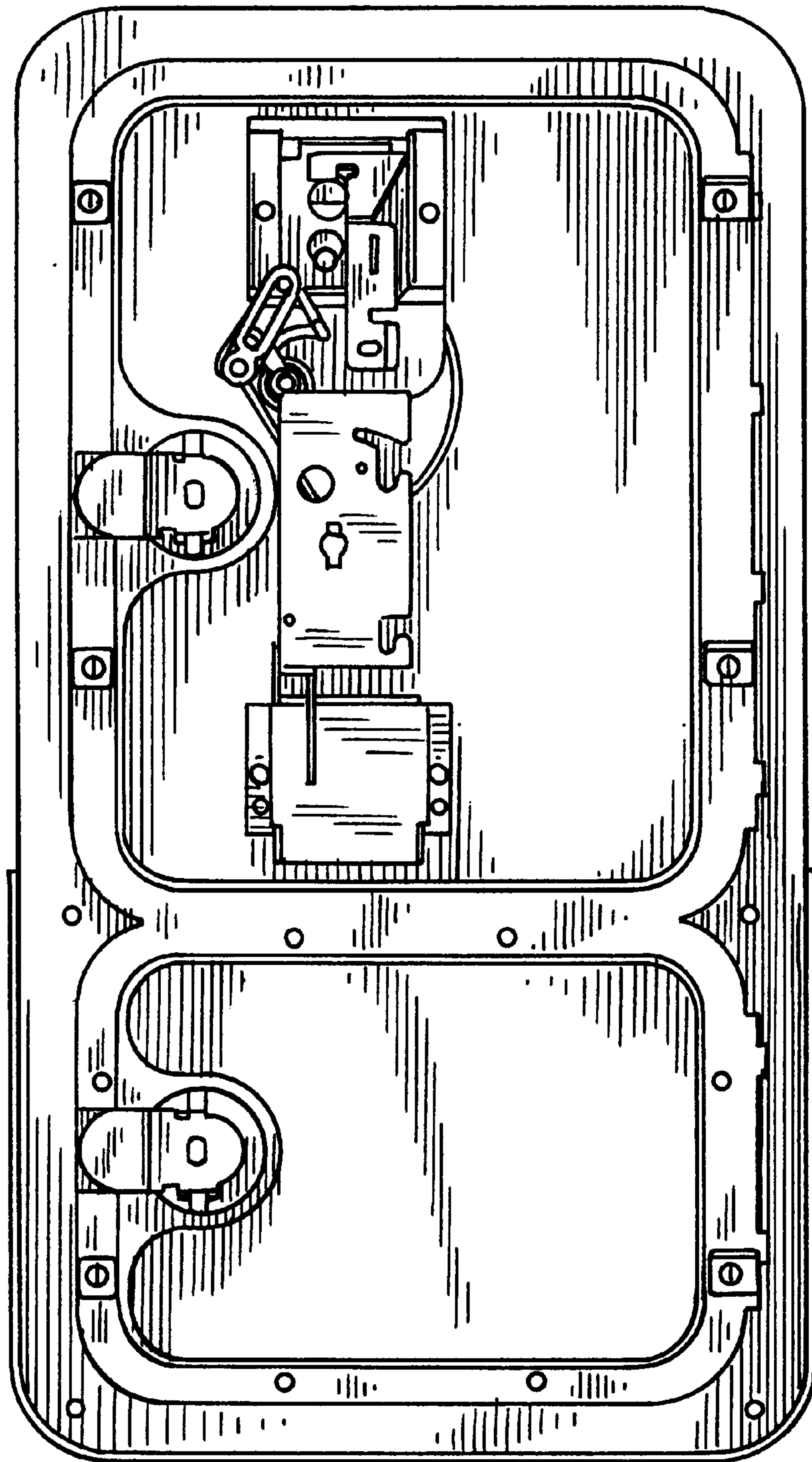


FIG. 3

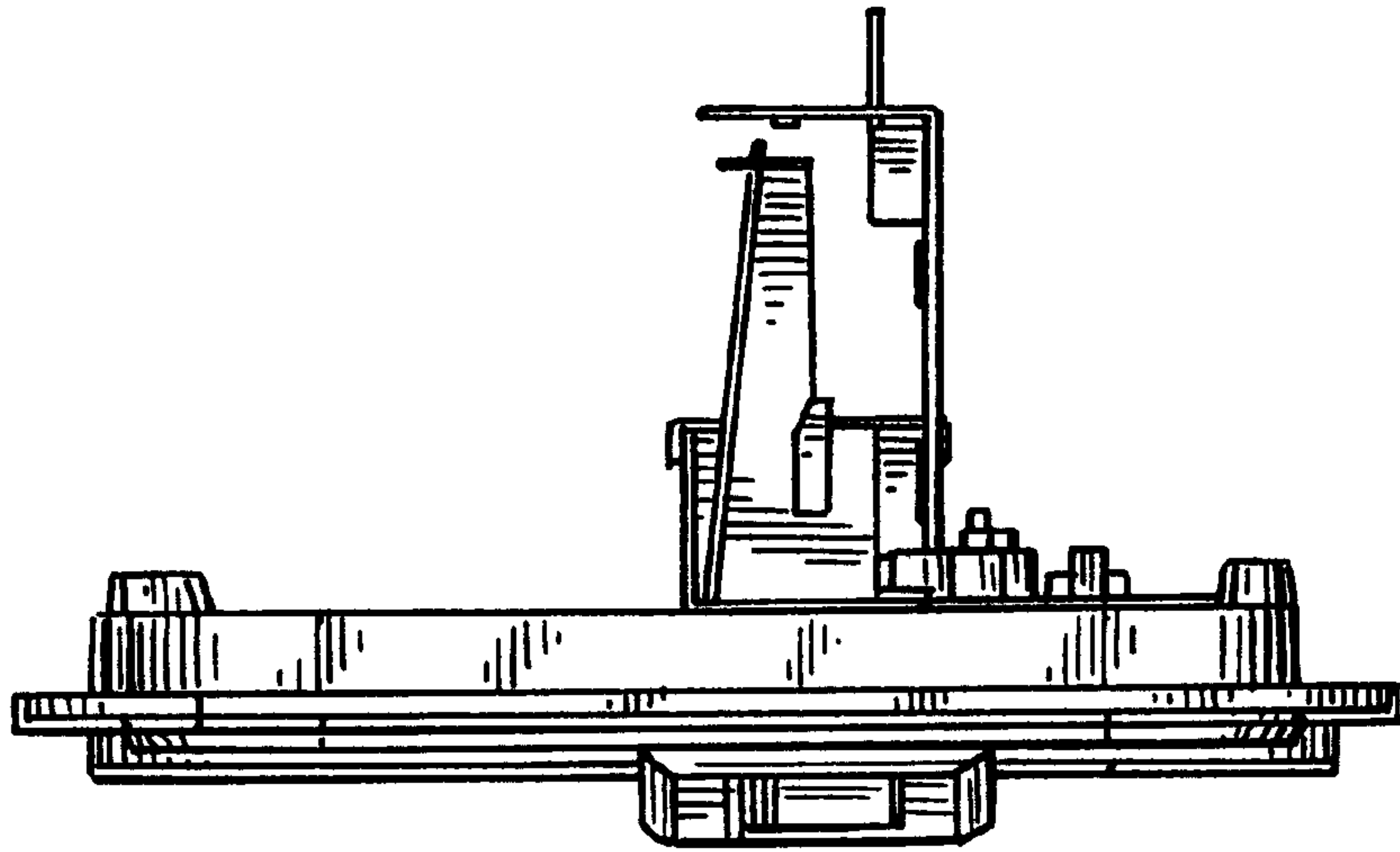


FIG. 4

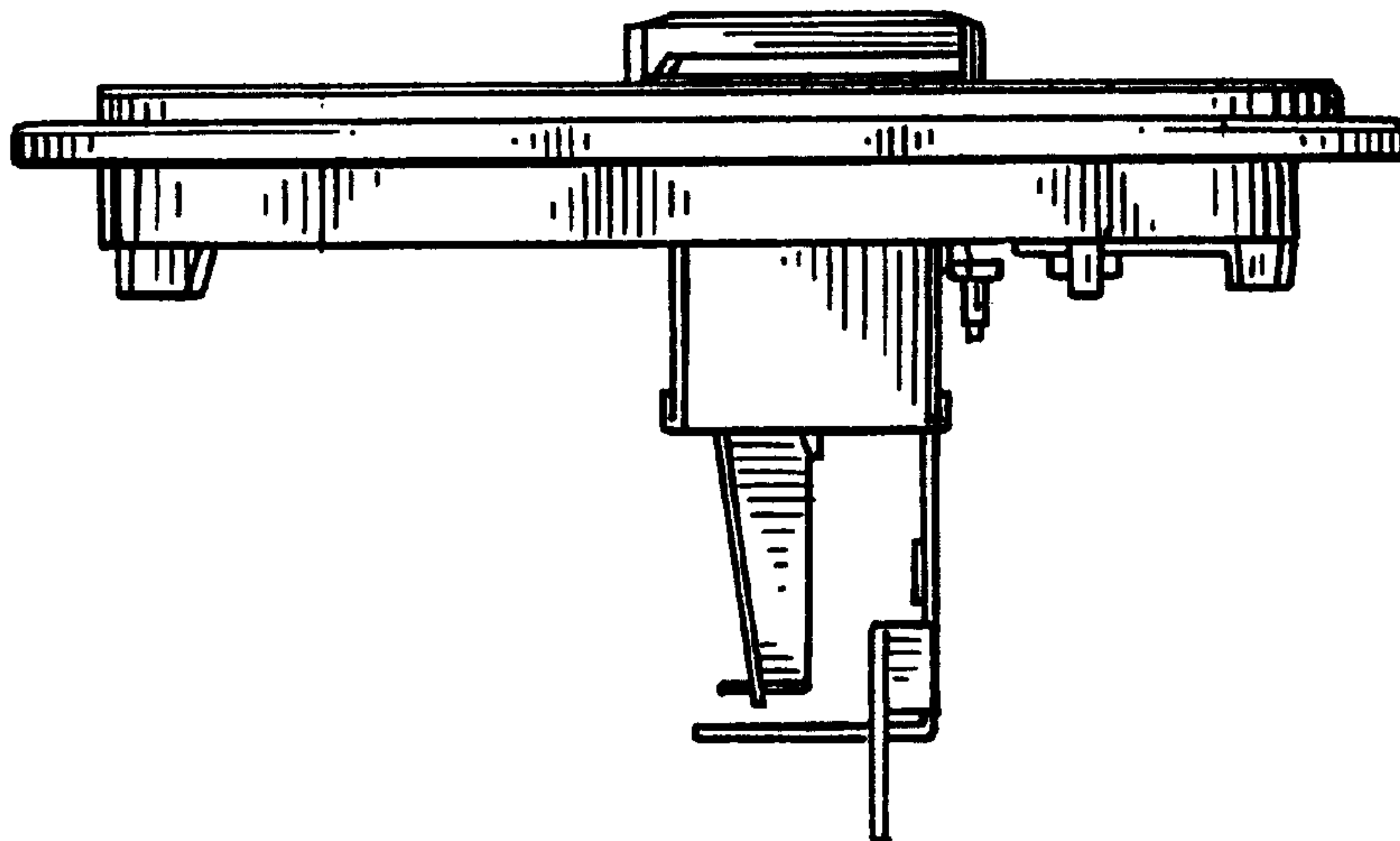


FIG. 5

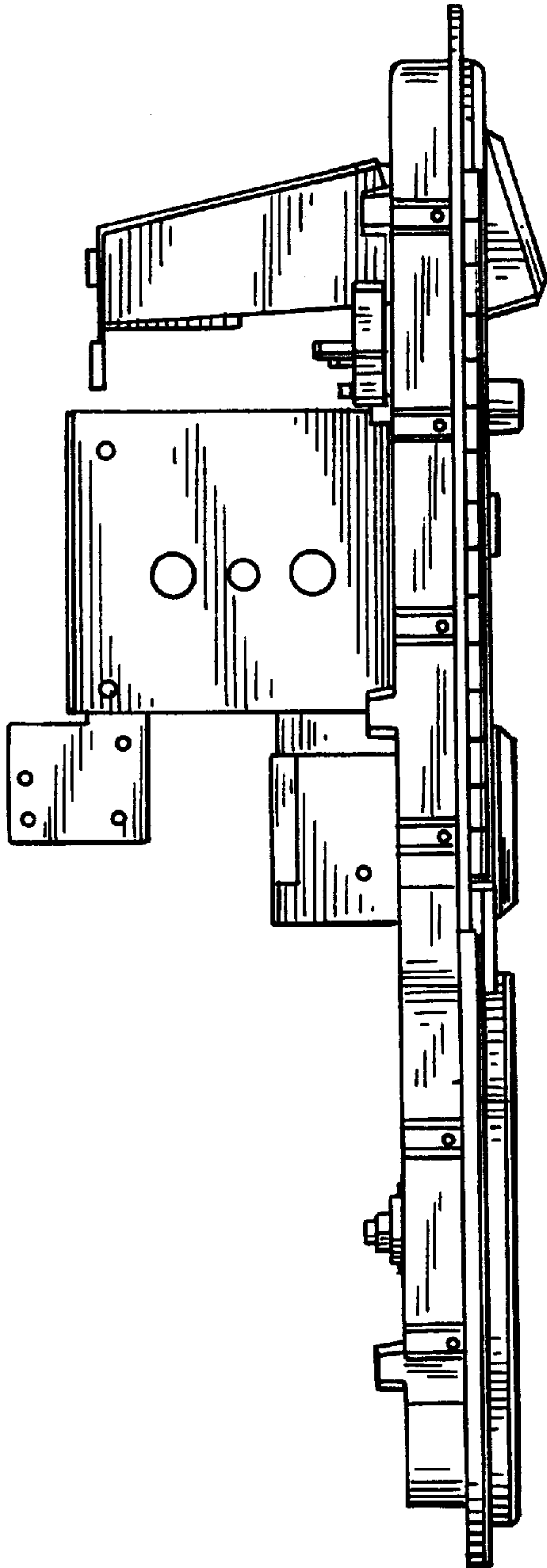


FIG. 6

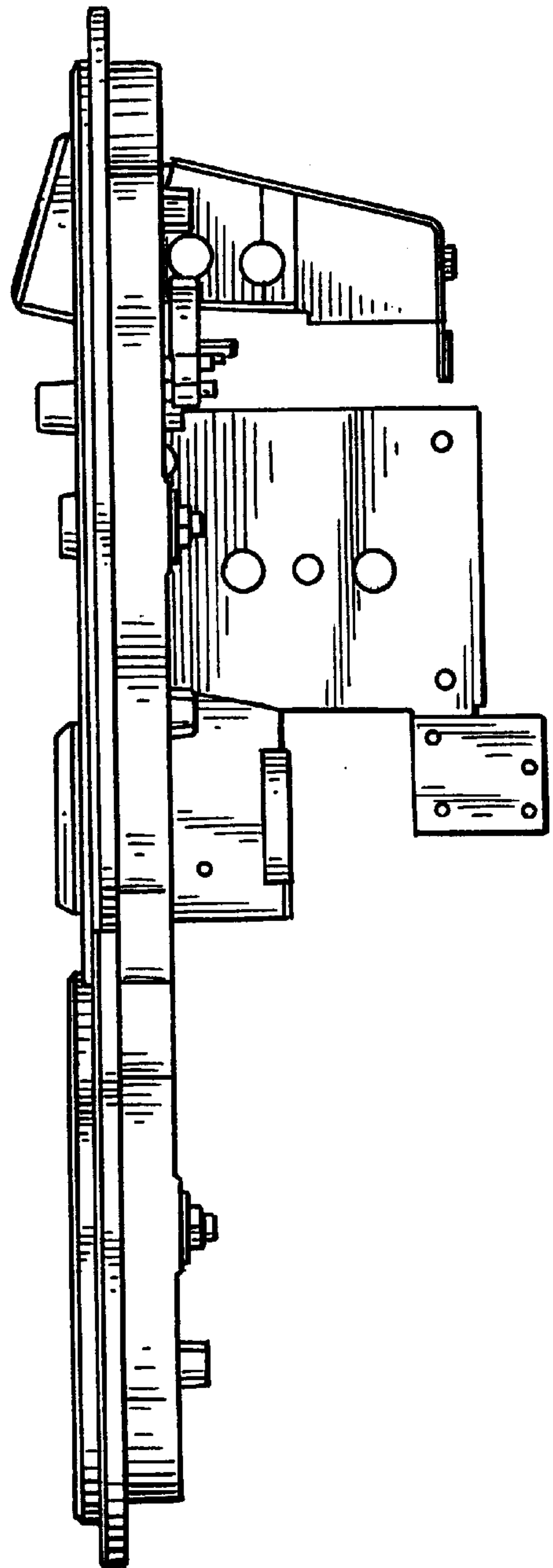


FIG. 7

