



US00D432284S

United States Patent [19]

Lux, Jr.

[11] Patent Number: Des. 432,284

[45] Date of Patent: ** *Oct. 17, 2000

[54] PAD FOR POLE MOUNT TRANSFORMERS

[75] Inventor: Robert J. Lux, Jr., Broken Arrow, Okla.

[73] Assignee: Thermodynamics, Broken Arrow, Okla.

[*] Notice: This patent is subject to a terminal disclaimer.

[**] Term: 14 Years

[21] Appl. No.: 29/101,502

[22] Filed: Mar. 3, 1999

[51] LOC (7) Cl. 09-08

[52] U.S. Cl. D34/38; D13/118

[58] Field of Search D34/38; 108/51.1, 108/53.1, 56.1, 56.3, 52.1, 54.1, 55.3, 57.1; 248/346.1

[56] References Cited

U.S. PATENT DOCUMENTS

D. 217,860	6/1970	Bartee et al.	D34/38
D. 228,896	10/1973	Melnick et al.	D34/38
D. 229,042	11/1973	Melnick et al.	D34/38
D. 229,486	12/1973	Roper	D34/38
D. 264,066	4/1982	Smith et al.	D34/38
D. 320,880	10/1991	Brunin	D34/38
D. 379,021	4/1997	Wies	D34/38
2,652,219	9/1953	Arthur	108/51.1

2,704,600	3/1955	Despres	108/56.1
3,424,110	1/1969	Toot	108/56.1
3,720,176	3/1973	Munroe	108/53.1
3,750,596	8/1973	Box	108/51.1
3,868,915	3/1975	Hafner	108/51.1
3,948,190	4/1976	Cook, III et al.	108/53.1
4,263,855	4/1981	Lawlor	108/53.3
5,142,994	9/1992	Sandberg et al.	108/53.3
5,769,003	6/1998	Rose et al.	108/55.3
5,833,207	11/1998	Hagenhoff et al.	248/678
5,857,416	11/1999	Donnell, Jr. et al.	108/55.3

Primary Examiner—Cynthia E. Ramirez
Attorney, Agent, or Firm—Head, Johnson & Kachigian

[57] CLAIM

The ornamental design for a pad for pole mount transformers, as shown and described.

DESCRIPTION

FIG. 1 is an isometric view of one perspective of my design showing my pad for pole mount transformers.

FIG. 2 is an isometric view of another perspective of my design.

FIG. 3 is a top plan view of my design.

FIG. 4 is an elevational view of one side of my design, the opposite elevational side view being the same.

FIG. 5 is an elevational view of another side of my design, the opposite elevational side view being the same; and,

FIG. 6 is a bottom view of my design.

1 Claim, 2 Drawing Sheets

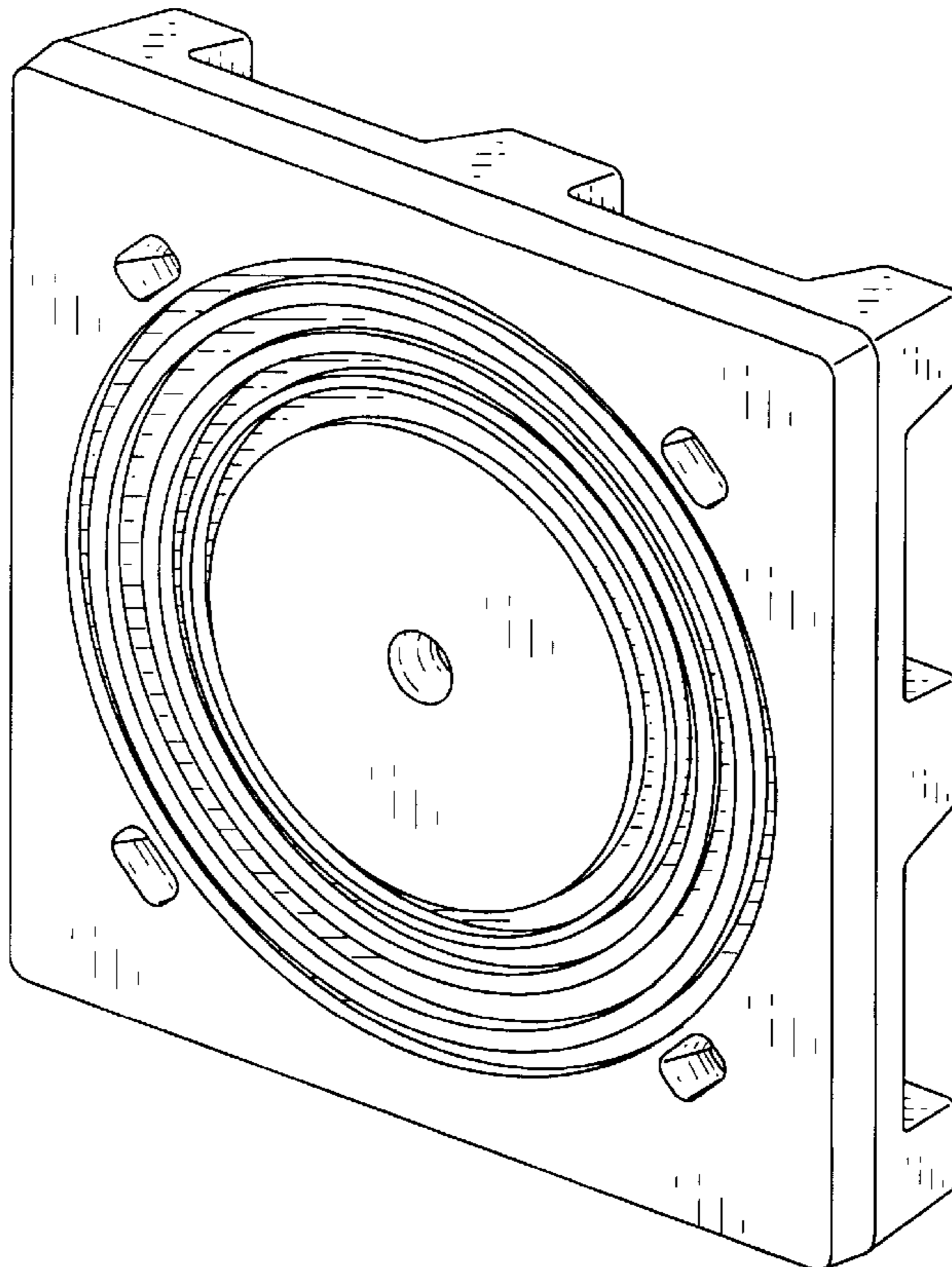


FIG. 1

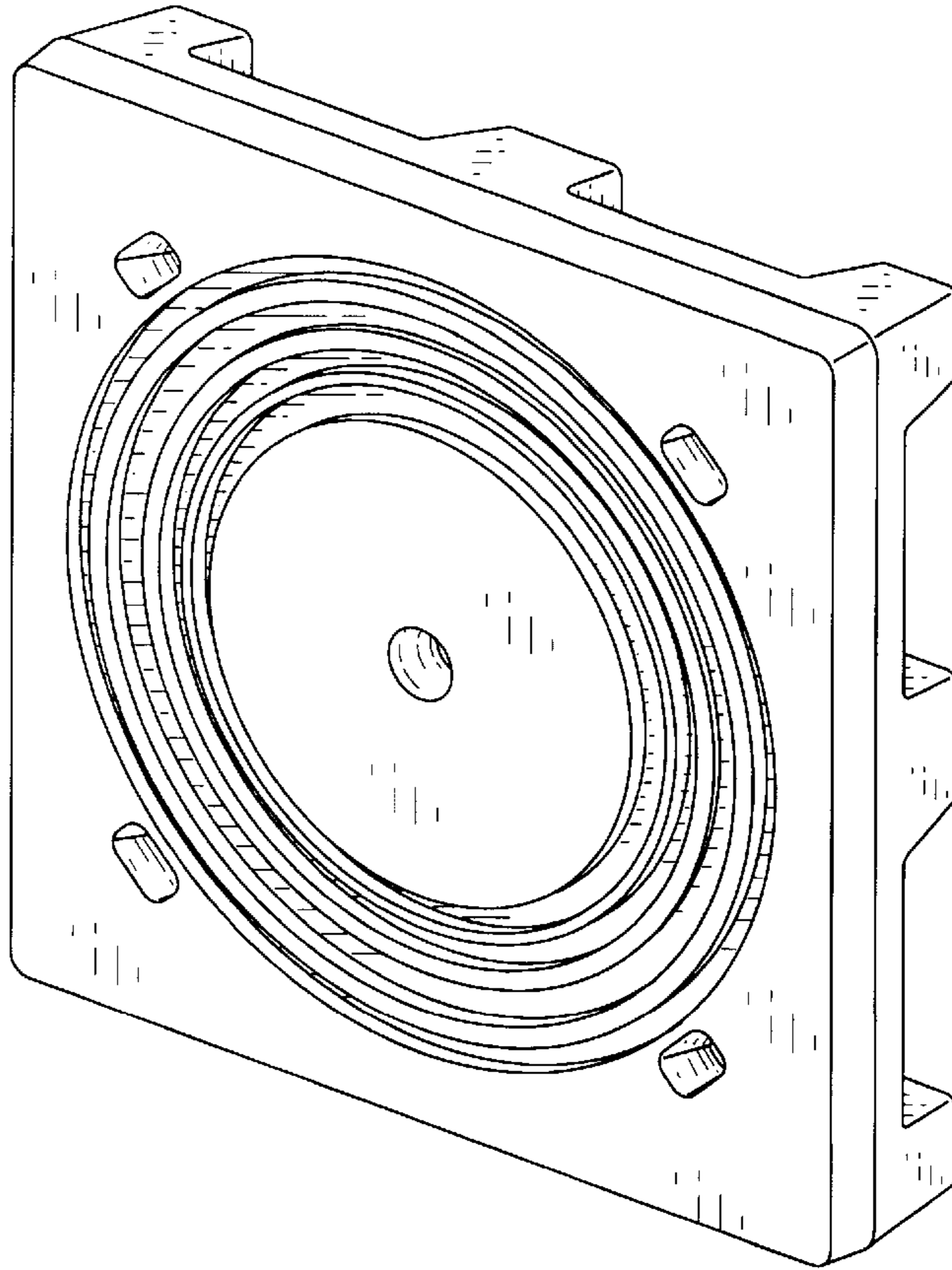


FIG. 2

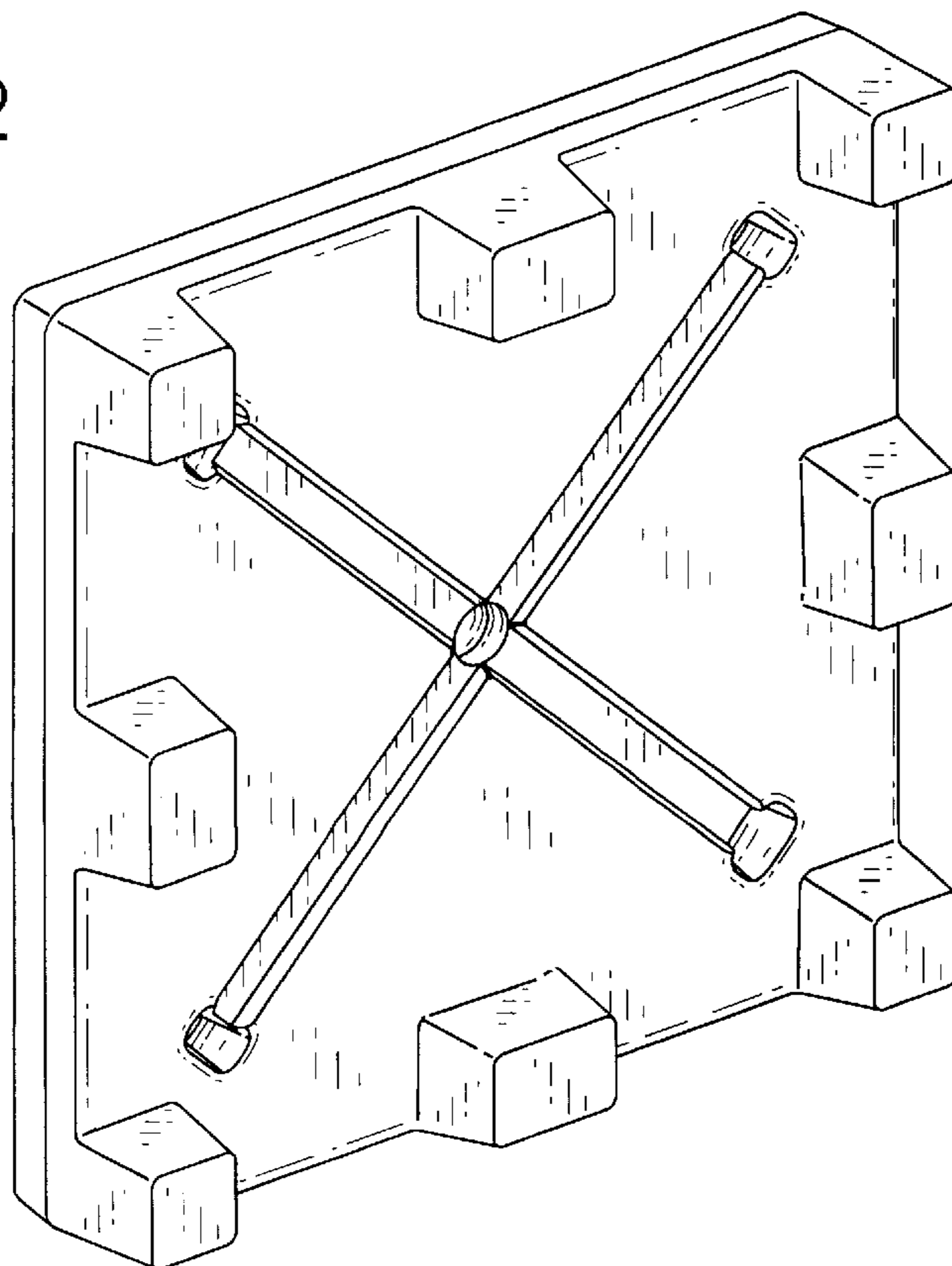


FIG. 3

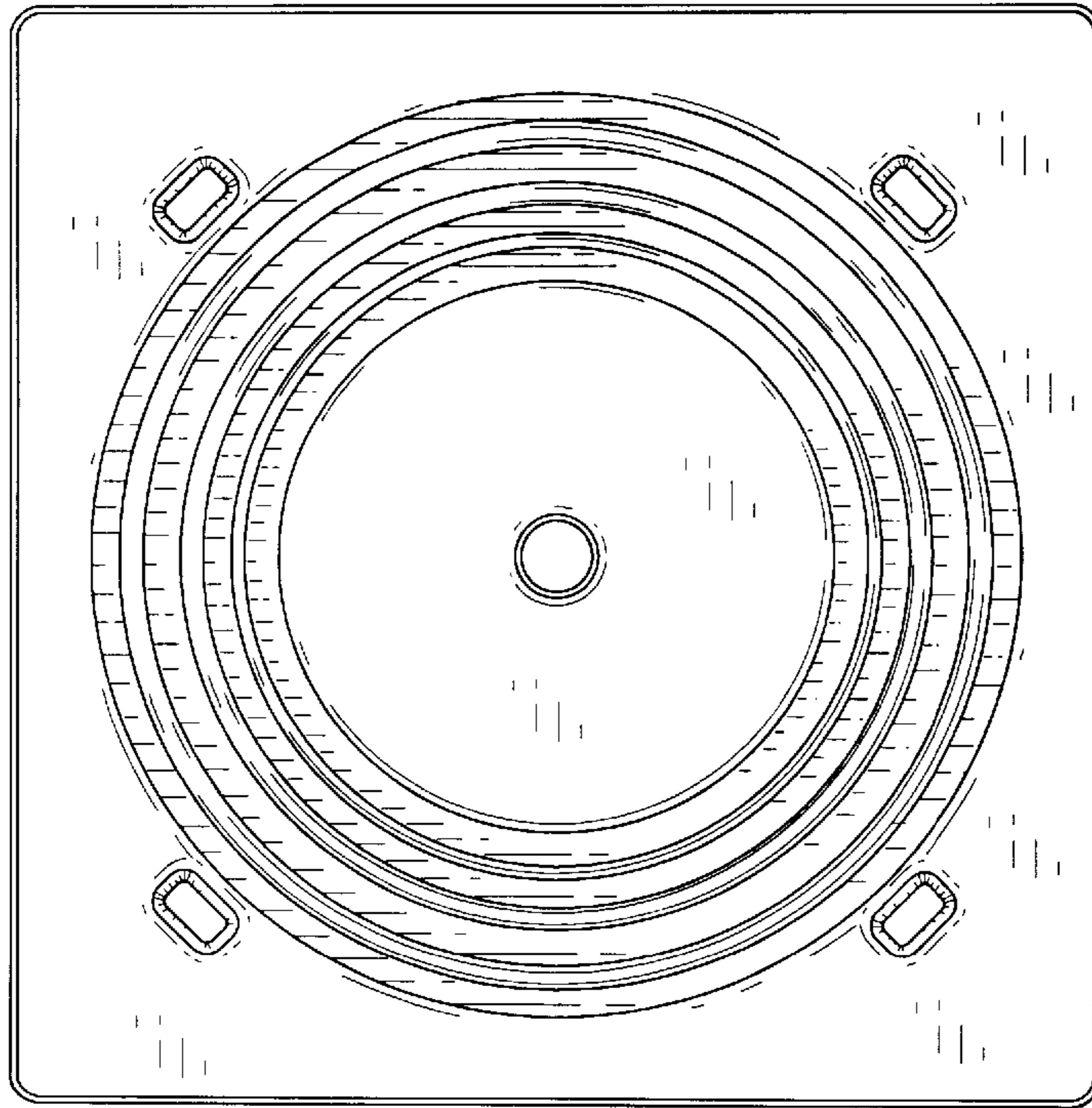


FIG. 4

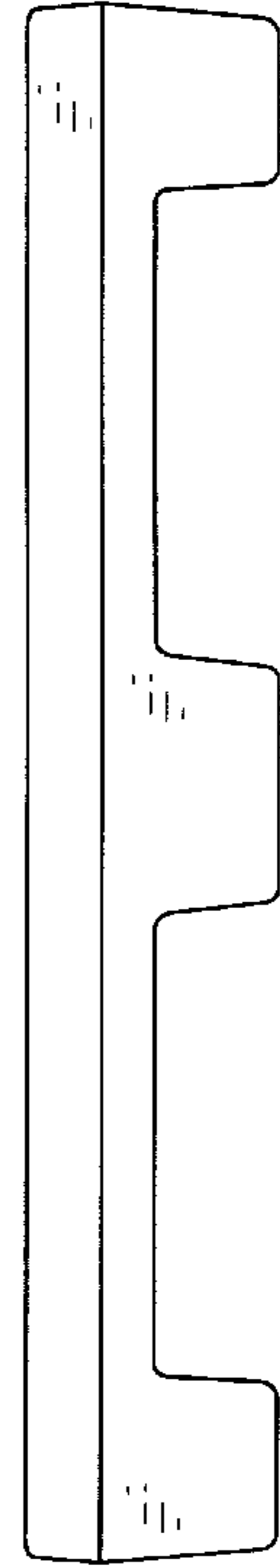


FIG. 5

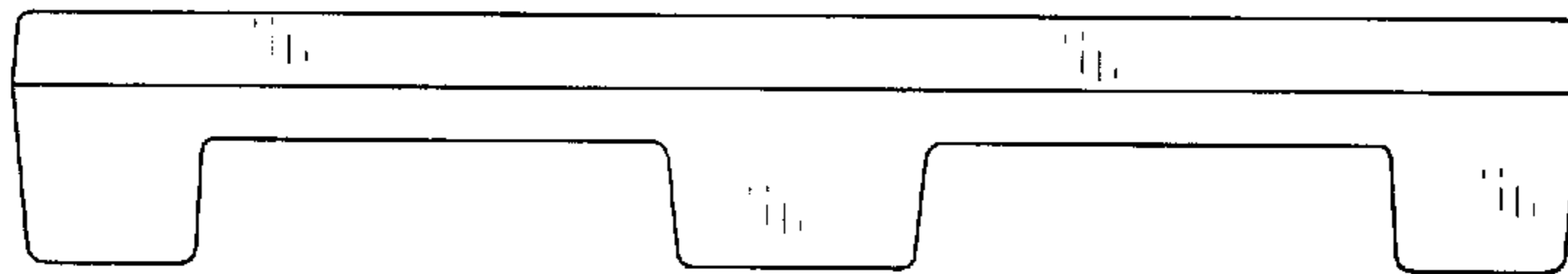


FIG. 6

