



US00D432280S

United States Patent [19]

Quinlan et al.

[11] Patent Number: **Des. 432,280**

[45] Date of Patent: **** Oct. 17, 2000**

[54] ANIMAL FEEDING VESSEL

[75] Inventors: **Robert L. Quinlan**, Stow; **Patrick W. Brown**, Strongsville; **John R. Nottingham**, Hunting Valley; **John W. Spirk**, Gates Mills, all of Ohio

[73] Assignee: **Pet Zone Products**, Cleveland, Ohio

[**] Term: **14 Years**

[21] Appl. No.: **29/107,063**

[22] Filed: **Jun. 24, 1999**

[51] LOC (7) Cl. **30-03**

[52] U.S. Cl. **D30/129**

[58] Field of Search D30/121-133;
119/61, 51.5, 53.5; D7/540-545, 584

[56] **References Cited**

U.S. PATENT DOCUMENTS

D. 193,654	9/1962	Voorhis	D30/130
D. 230,034	1/1974	Goldman	D30/129
D. 303,169	8/1989	Hovey	D30/130
D. 345,716	4/1994	Kwiatkowski	D11/152
D. 353,094	12/1994	Labrie	D9/428
D. 373,932	9/1996	Onneweer	D7/543
D. 401,475	11/1998	Ritchey	D7/543
D. 405,561	2/1999	Willinger et al.	D30/129

D. 416,445	11/1999	Henry	D7/545
2,514,491	7/1950	Hay et al.	119/61
2,525,453	10/1950	Hankin	119/72
3,043,267	7/1962	Blough	119/75
3,405,685	10/1968	Harrel	119/61
4,436,056	3/1984	MacLeod	119/72
5,105,768	4/1992	Johnson	119/61
5,297,504	3/1994	Carrico	119/61

Primary Examiner—Louis S. Zarfaz
Assistant Examiner—Catherine R. Oliver
Attorney, Agent, or Firm—Robert H. Earp, III; Raymond A. Miller

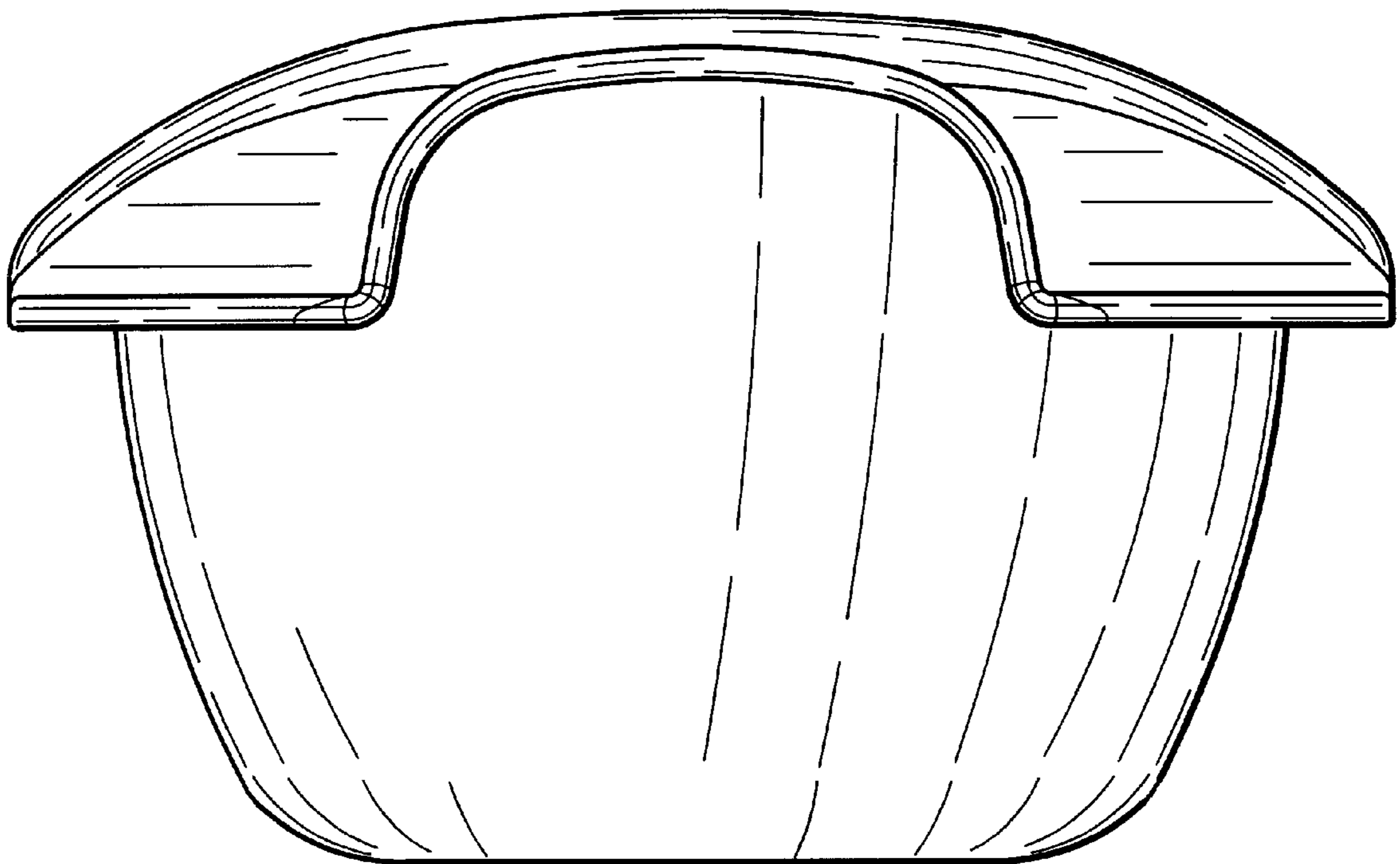
[57] **CLAIM**

We claim the ornamental design for an animal feeding vessel, as shown.

DESCRIPTION

FIG. 1 is a frontal perspective of an animal feeding vessel; FIG. 2 is a rear perspective view; FIG. 3 is a front view; FIG. 4 is a side view; FIG. 5 is a rear view; FIG. 6 is a top view; FIG. 7 is a bottom view; and, FIG. 8 is a perspective of bowls used in support base known to the art.

1 Claim, 5 Drawing Sheets



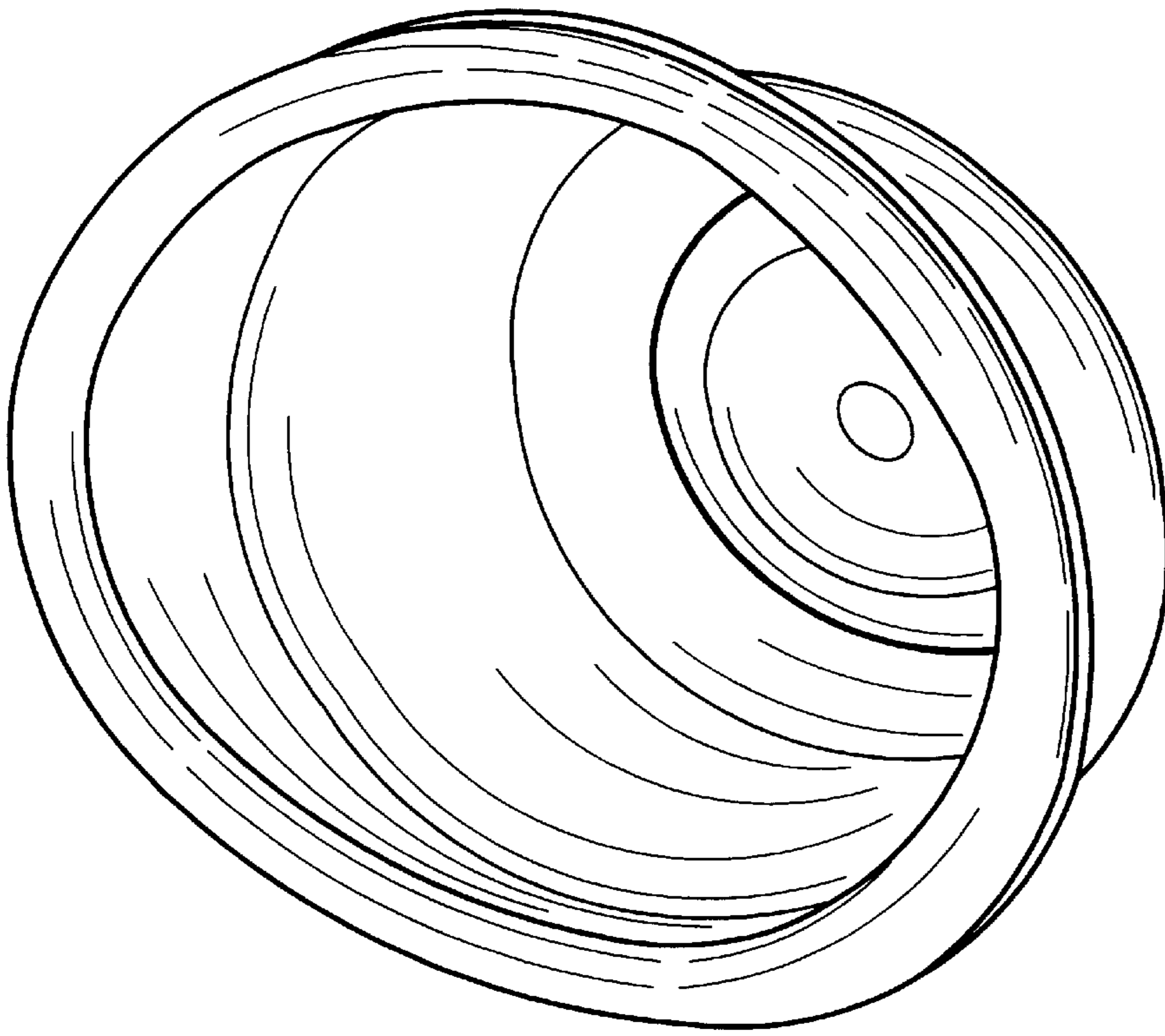


Fig. 1

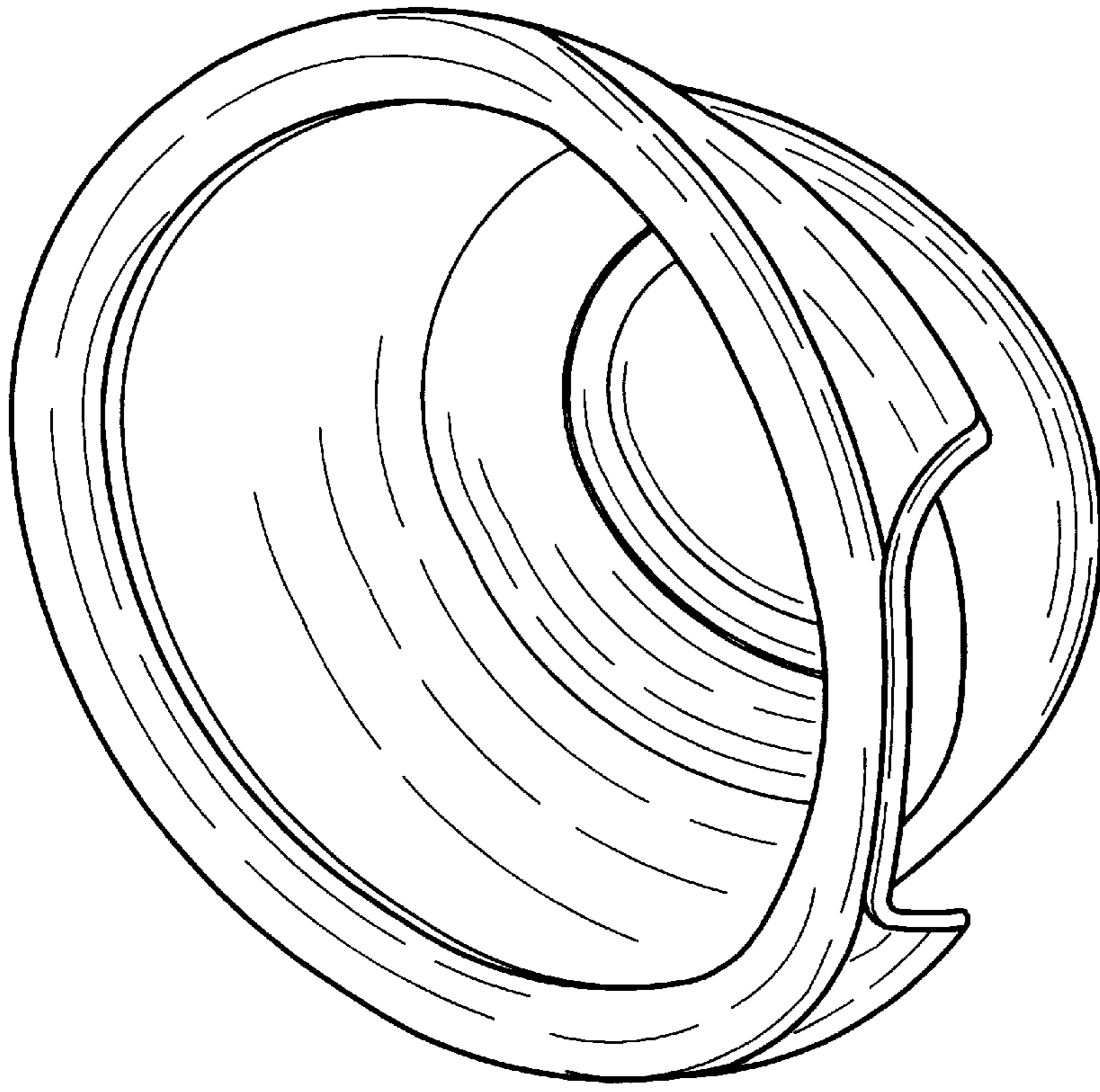


Fig. 2

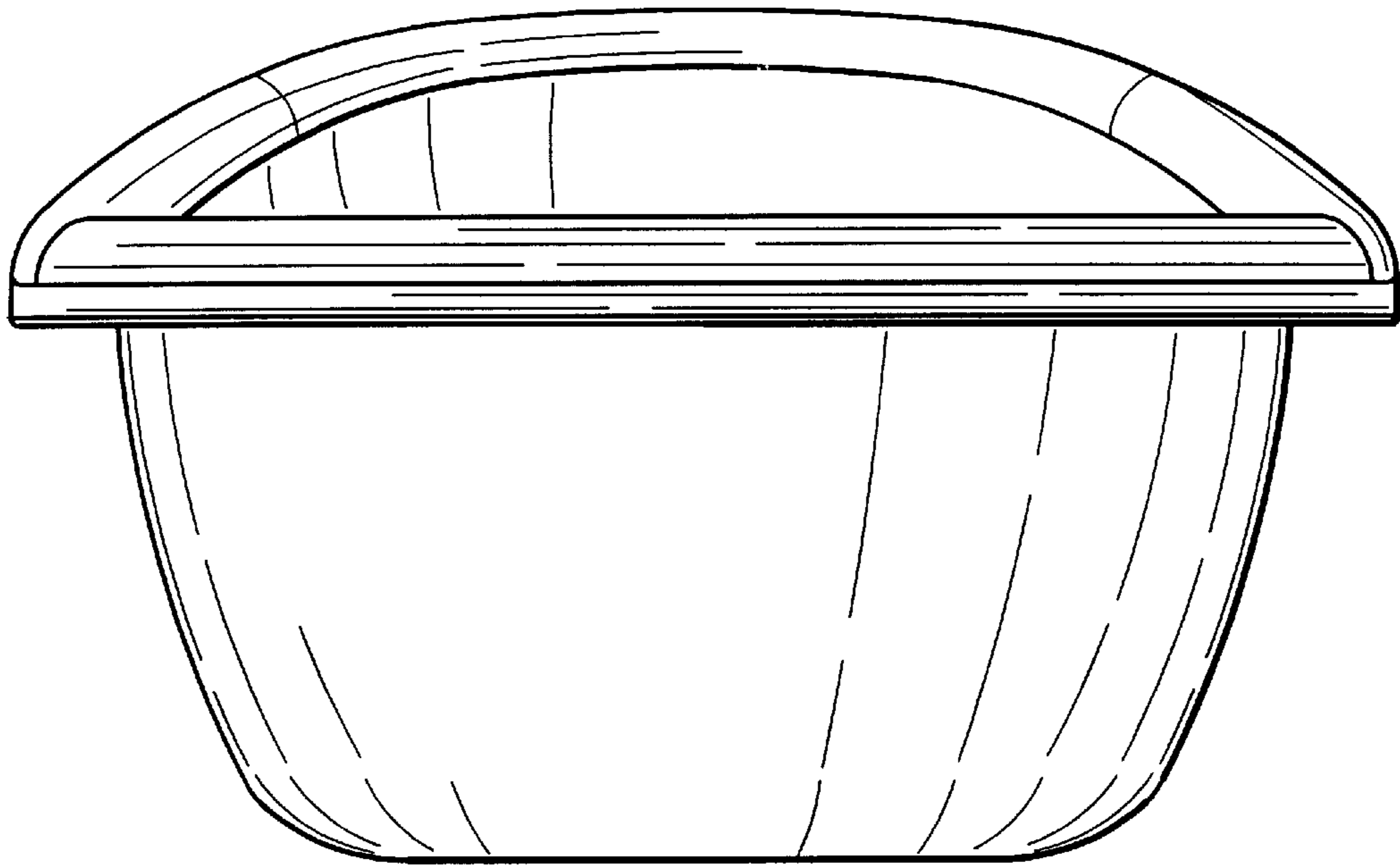


Fig. 3

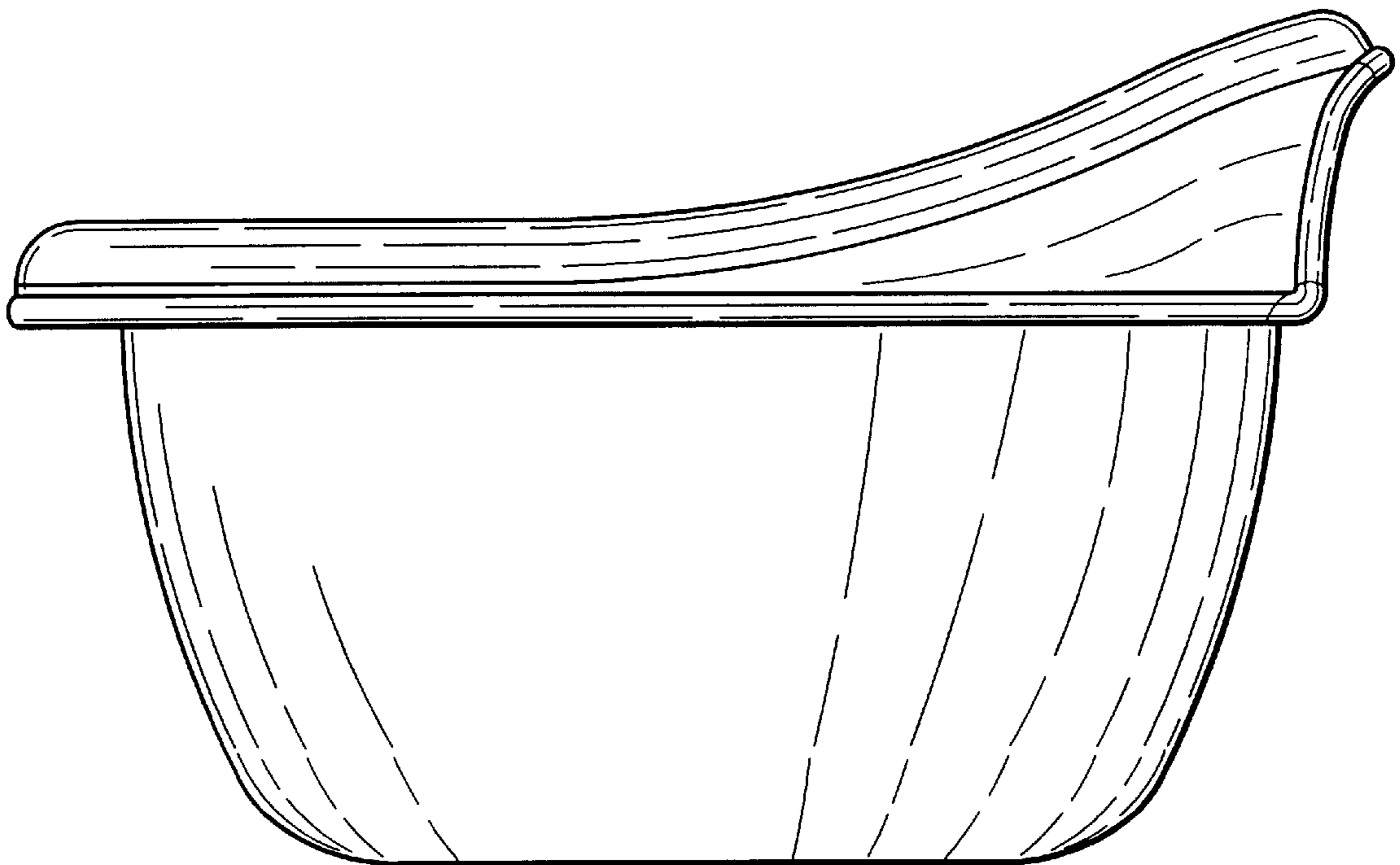


Fig. 4

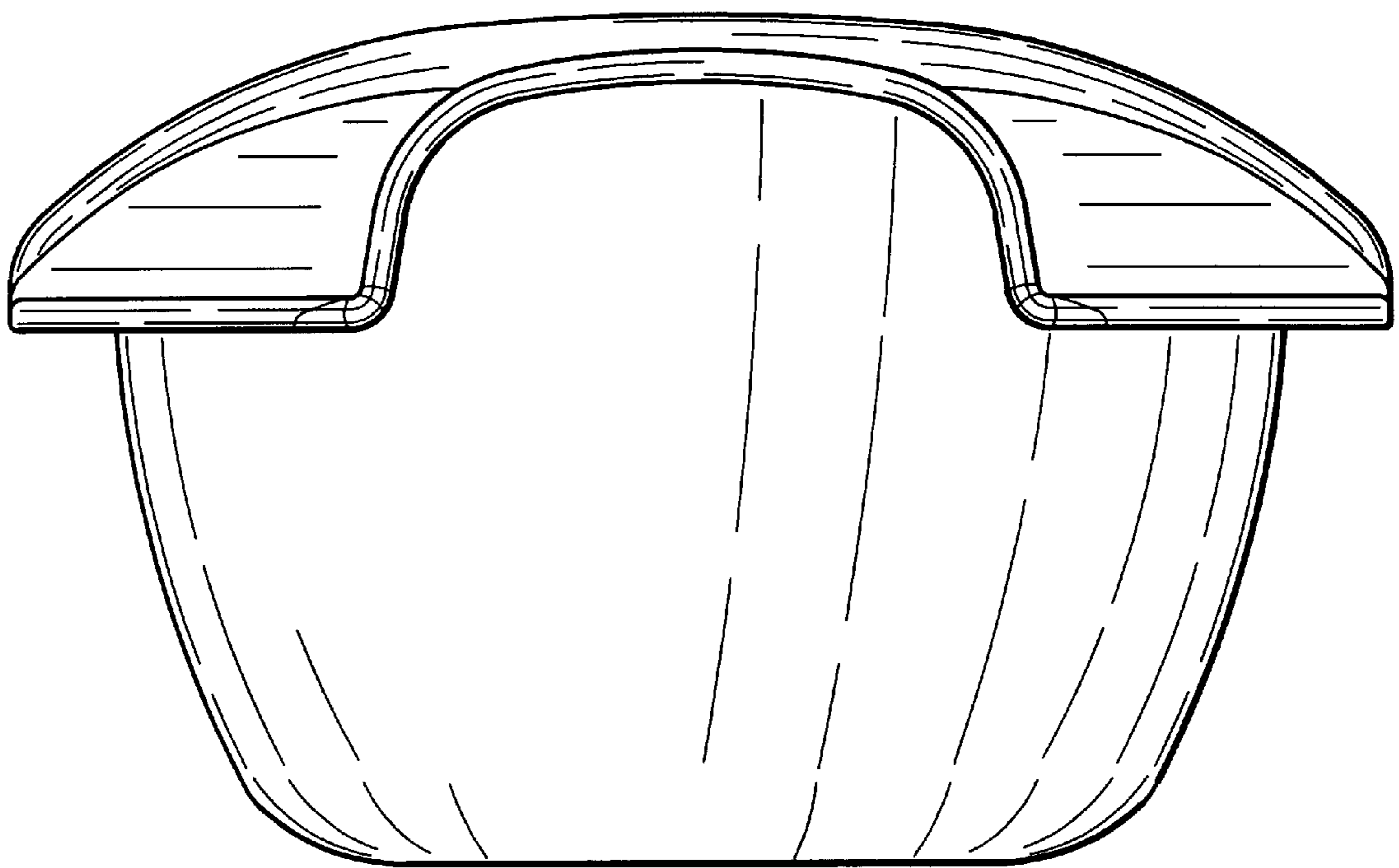


Fig. 5

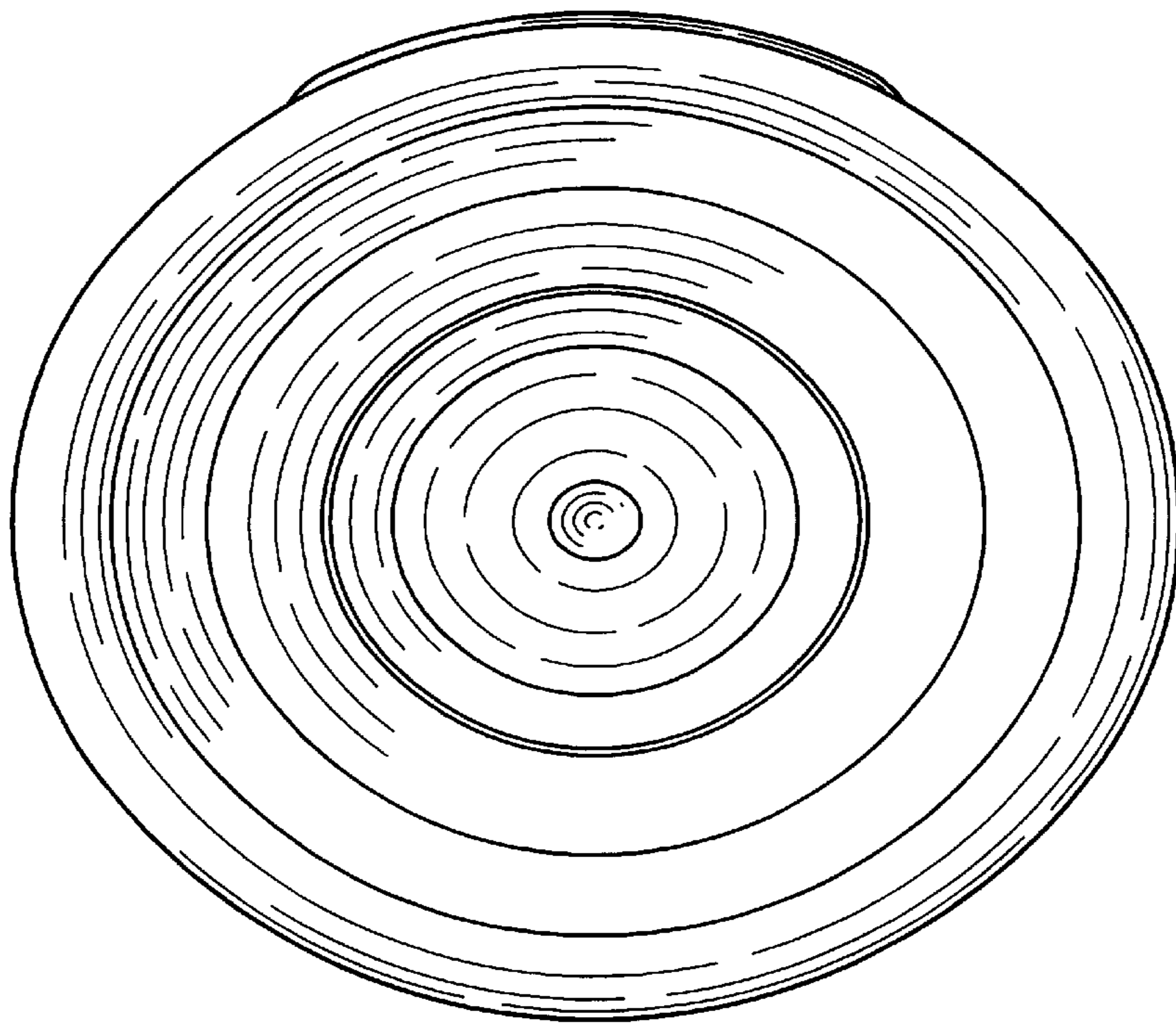


Fig. 6

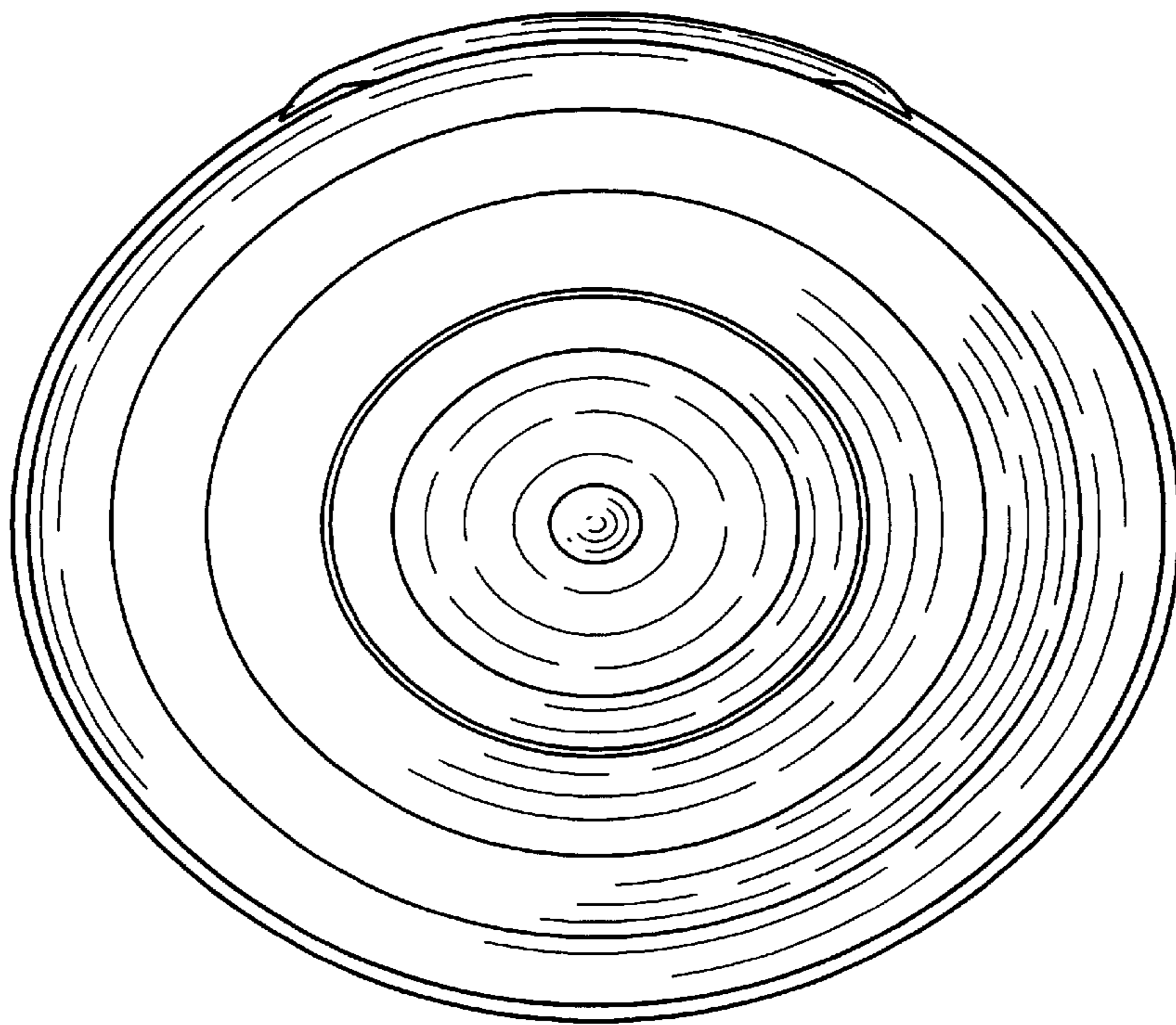


Fig. 7

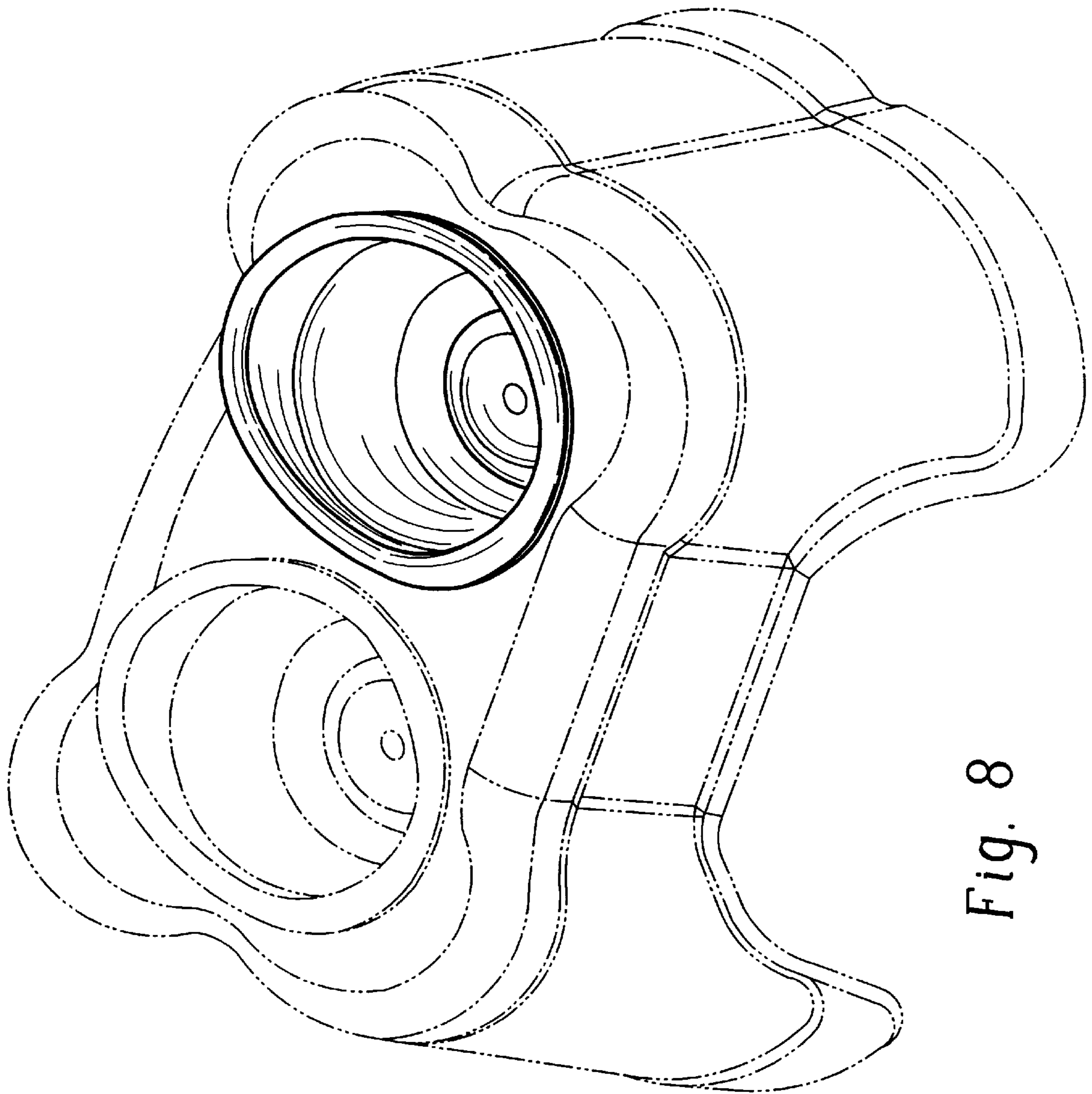


Fig. 8

UNITED STATES PATENT AND TRADEMARK OFFICE
CERTIFICATE OF CORRECTION

PATENT NO. : Des. 432,280
DATED : October 17, 2000
INVENTOR(S) : Quinlan et al.

Page 1 of 2

It is certified that error appears in the above-identified patent and that said Letters Patent is hereby corrected as shown below:

Preceding the claim, please insert the following:

--The broken line showing of environment in Figure 8 is for illustrative purposes only and forms no part of the claimed design. And although the two feeding vessels shown in Figure 8 are identical, one of the feeding vessels is shown using broken lines to indicate the environment around the claimed feeding vessel.--

IN THE CLAIM:

After "shown" insert --and described--.

IN THE DESCRIPTION:

Figure 1, after "perspective" insert --view--;

Figure 2, after "view" insert --thereof--;

Figure 3, after "view" insert --thereof--;

Amend the description of Figure 4 as follows:

Figure 4 is a right side view thereof, the left side view being a mirror image of the right side view;

Nicholas P. Eodici

UNITED STATES PATENT AND TRADEMARK OFFICE
CERTIFICATE OF CORRECTION

PATENT NO. : Des. 432,280
DATED : October 17, 2000
INVENTOR(S) : Quinlan et al.

Page 2 of 2

It is certified that error appears in the above-identified patent and that said Letters Patent is hereby corrected as shown below:

Figure 5, after "view" insert -thereof-;
Figure 6, after "view" insert -thereof-;
Figure 7, after "view" insert -thereof-;

Amend the description of "Figure 8 as follows:
Figure 8 is a perspective view of [bowls] said animal feeding vessel used
in a support base [known to the art].

Signed and Sealed this

Tenth Day of July, 2001

Nicholas P. Godici

Attest:

Attesting Officer

NICHOLAS P. GODICI

Acting Director of the United States Patent and Trademark Office