



US00D432278S

United States Patent [19]

[11] **Patent Number: Des. 432,278**

Navratil

[45] **Date of Patent: ** Oct. 17, 2000**

[54] **BIRD HOUSE**

1,230,780	6/1917	Reiber	D30/110
2,634,705	4/1953	Mayes	119/57.9
3,186,379	6/1965	Grella	119/57.9

[75] Inventor: **Frank Navratil**, North Riverside, Ill.

[73] Assignee: **Gardens Alive!**, Lawrenceburg, Ind.

[**] Term: **14 Years**

Primary Examiner—Louis S. Zarfaz
Assistant Examiner—Catherine R. Oliver
Attorney, Agent, or Firm—Donald C. Studley

[21] Appl. No.: **29/104,150**

[57] **CLAIM**

[22] Filed: **Apr. 29, 1999**

The ornamental design for a bird house, as shown.

[51] **LOC (7) Cl.** **30-02**

[52] **U.S. Cl.** **D30/110**

[58] **Field of Search** D30/110, 111–115,
D30/124–128; 119/57.8, 51.03, 52.2, 52.3,
579

DESCRIPTION

FIG. 1 is a perspective view of a bird house showing my new design;

FIG. 2 is a side elevation view thereof;

FIG. 3 is a rear elevation view thereof;

FIG. 4 is a top plan view thereof; and,

FIG. 5 is a bottom plan view thereof.

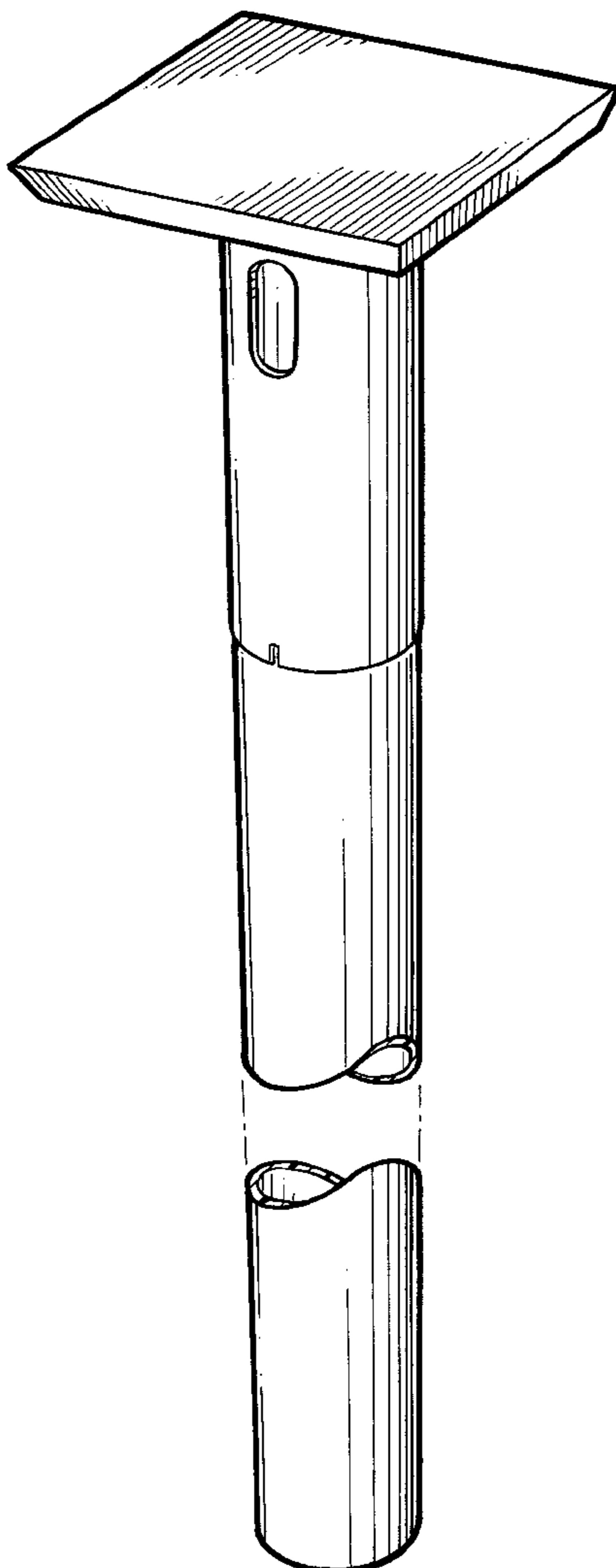
The bird house is shown broken away in FIGS. 1–3 for convenience of illustration and to indicate indeterminate length.

[56] **References Cited**

U.S. PATENT DOCUMENTS

D. 90,140	6/1933	Pederson	D30/111
D. 297,272	8/1988	Tucker et al.	D30/126
D. 335,005	4/1993	Fasino	D30/126
D. 359,203	6/1995	Wedderburn	D30/110 X

1 Claim, 2 Drawing Sheets



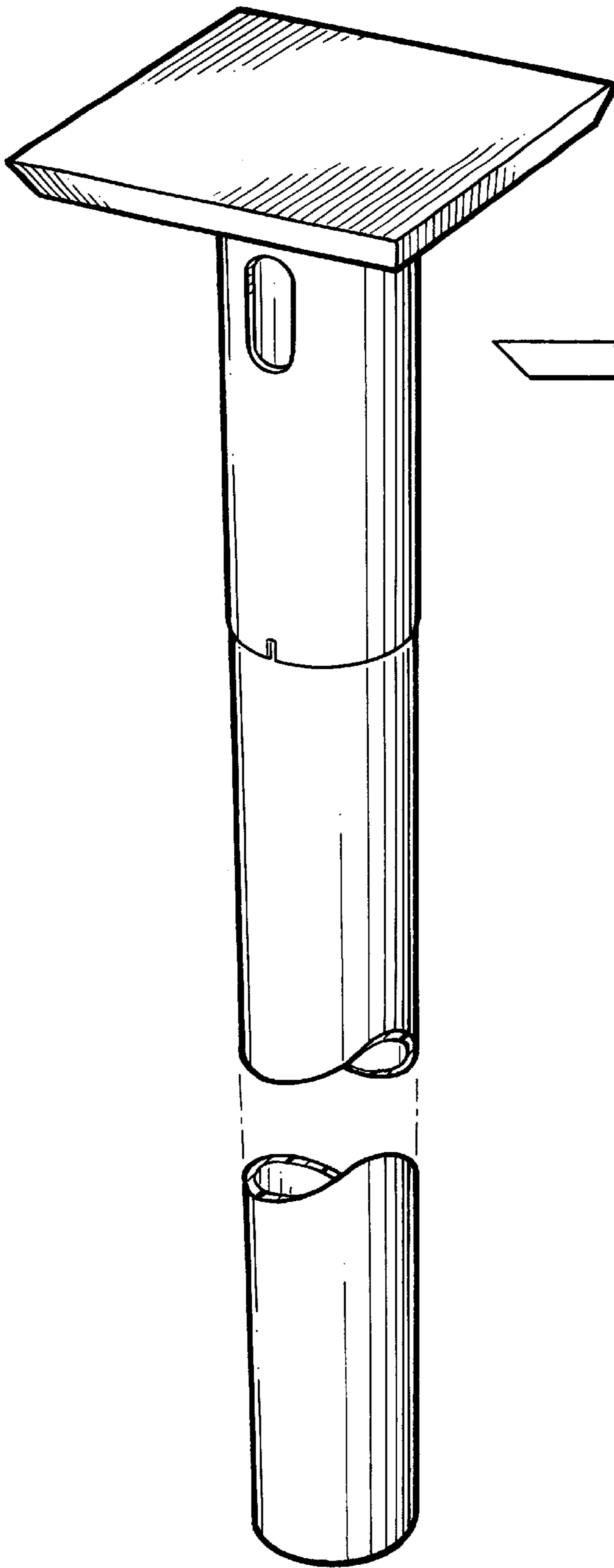


FIG. 1

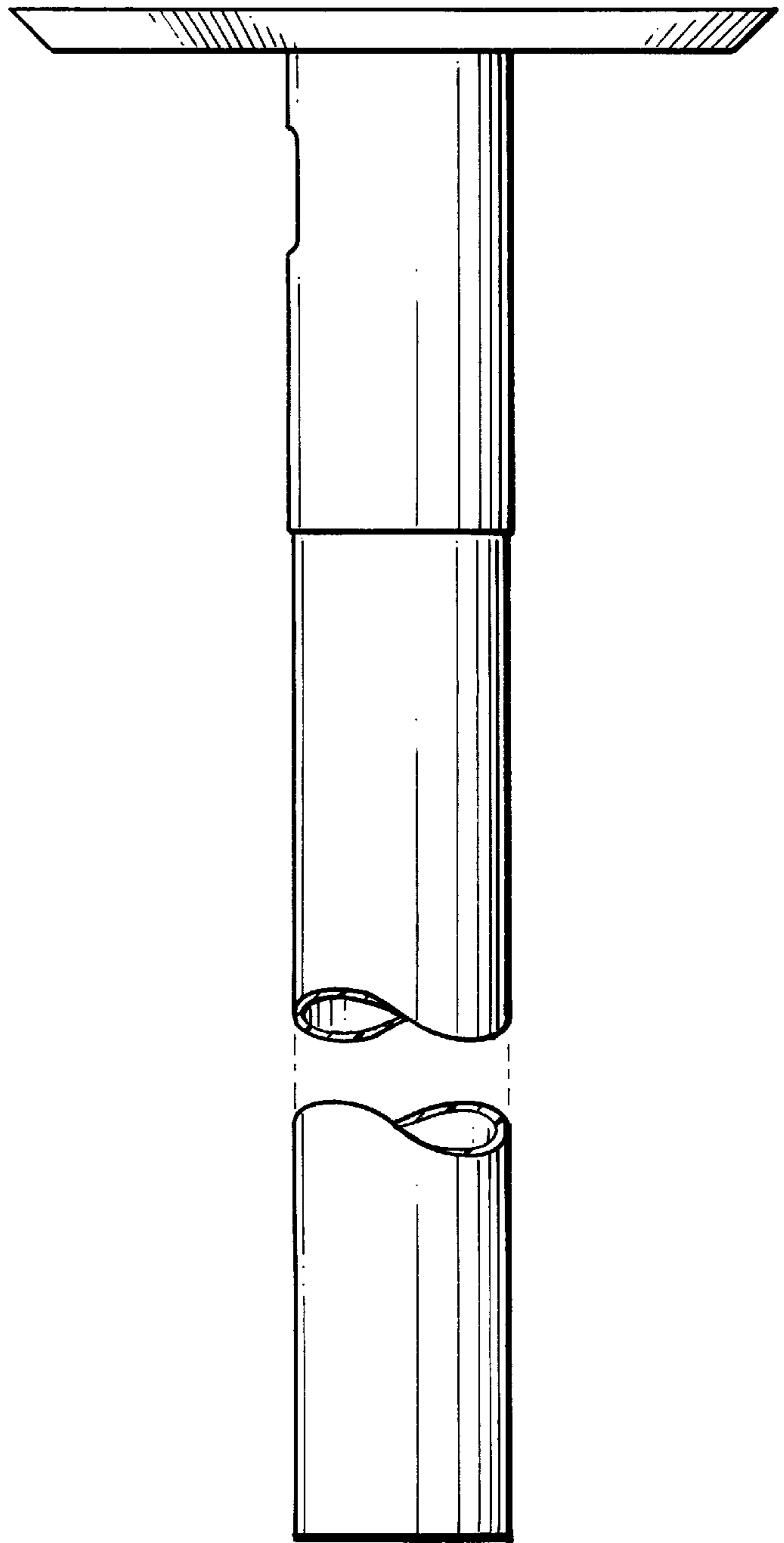


FIG. 2

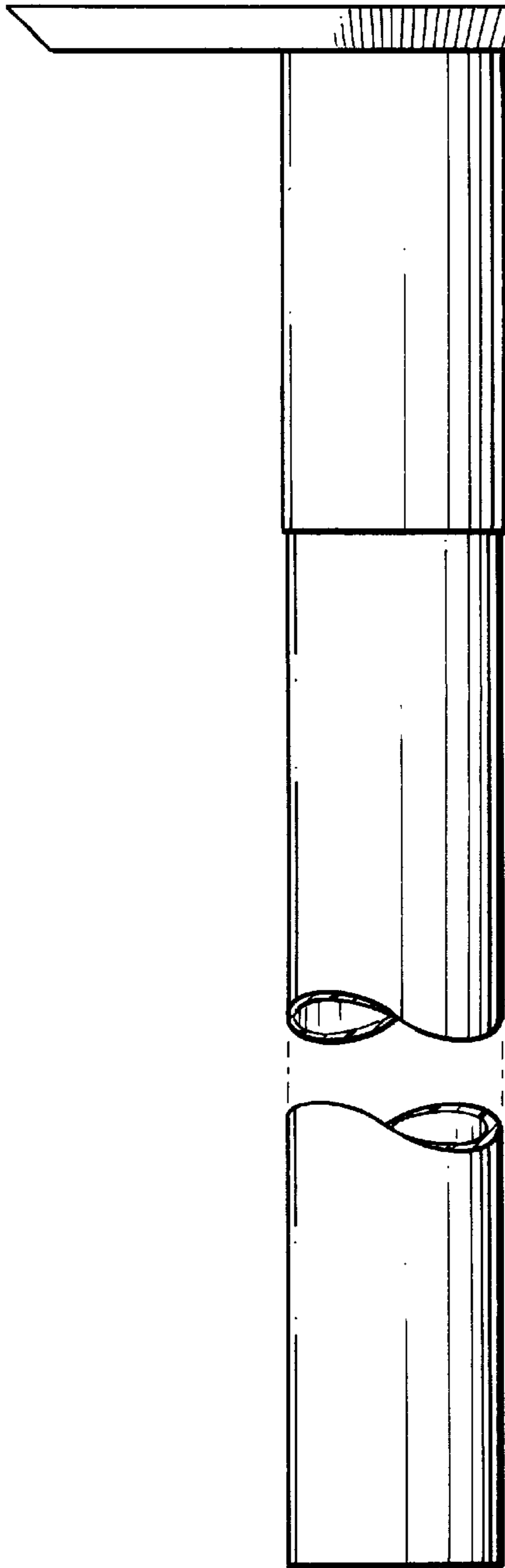


FIG. 3

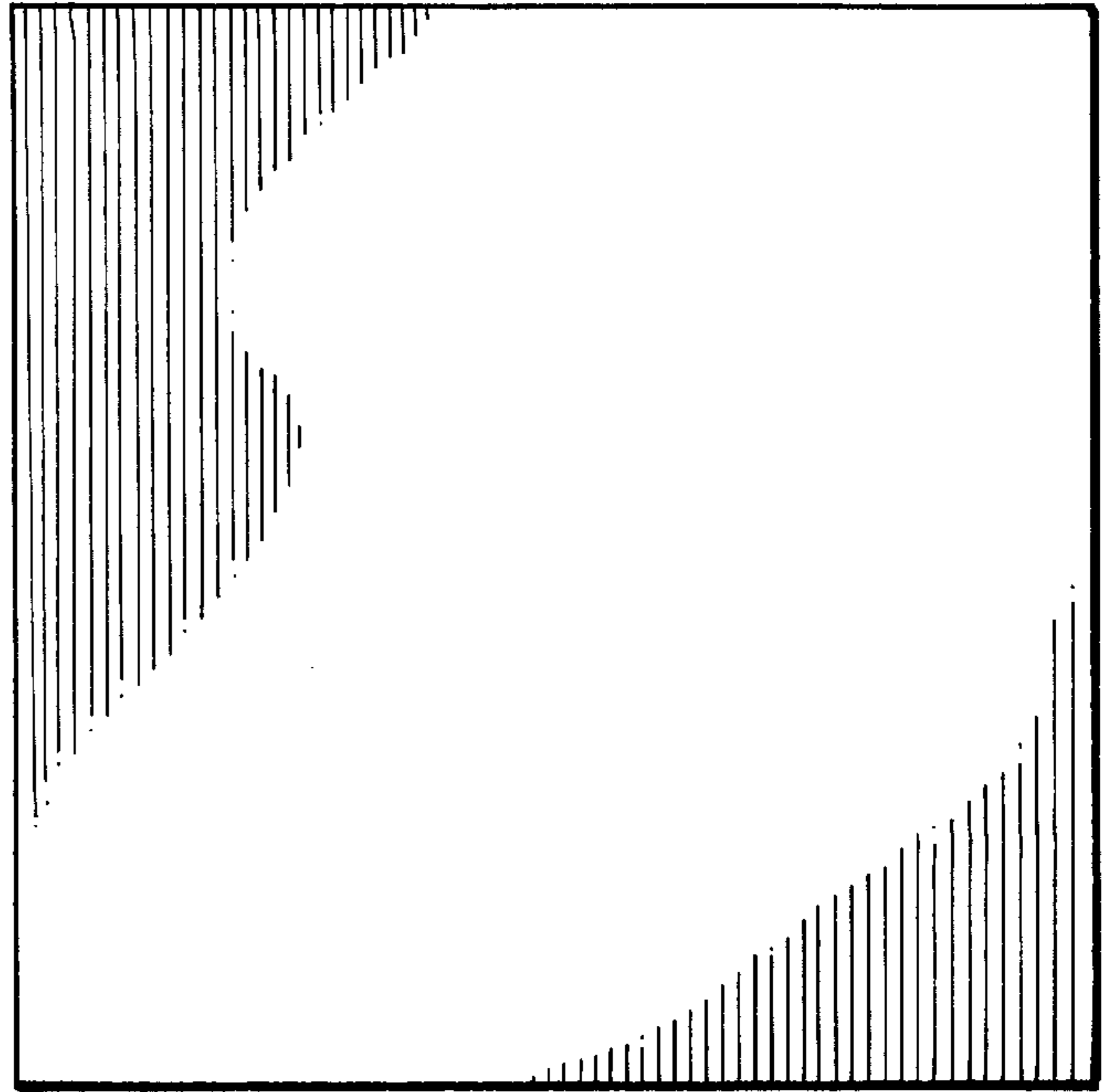


FIG. 4

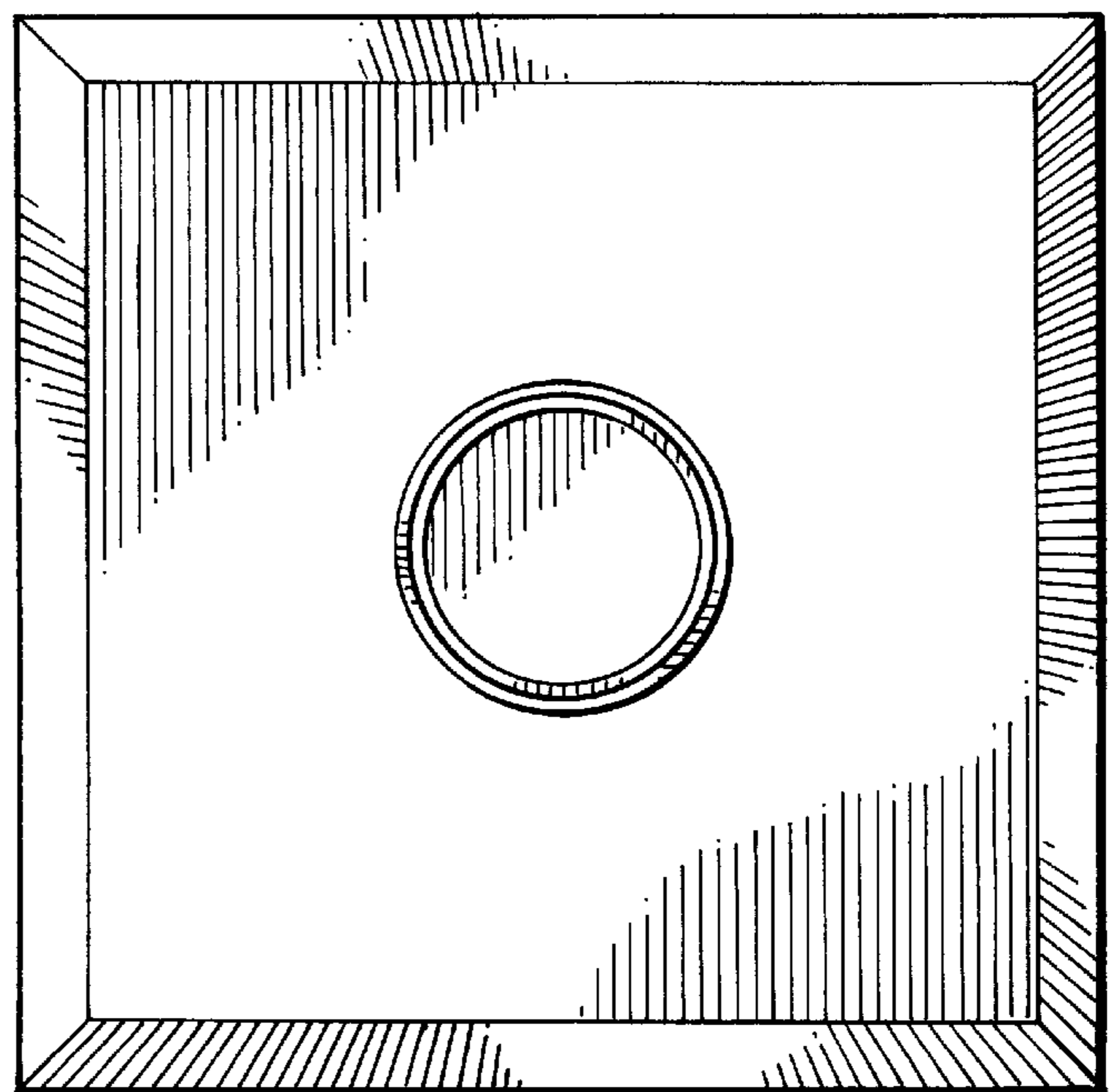


FIG. 5