



US00D432259S

United States Patent [19]
Kracke

[11] **Patent Number: Des. 432,259**

[45] **Date of Patent: ** Oct. 17, 2000**

[54] **LAMP** 4,274,606 6/1981 Bernwall et al. 242/118 X

[76] Inventor: **Donald R. Kracke**, P.O. Box 3006,
Blue Jay, Calif. 92317-3006

[**] Term: **14 Years**

[21] Appl. No.: **29/105,707**

[22] Filed: **May 28, 1999**

[51] **LOC (7) Cl.** **26-03**

[52] **U.S. Cl.** **D26/107; D26/94**

[58] **Field of Search** D26/57, 94, 104,
D26/107, 116, 113, 130, 125; 362/410-414,
431, 269; D3/24, 25, 18; D8/358, 359;
242/118, 141, 118.4, 118.7, 130, 118.8;
D28/35, 37; D22/137

[56] **References Cited**

U.S. PATENT DOCUMENTS

- D. 117,255 10/1939 Clark D26/57
- D. 315,963 4/1991 Greer D26/107 X
- D. 373,650 9/1996 Yeh D26/107

Primary Examiner—Alan P. Douglas
Assistant Examiner—Linda Brooks
Attorney, Agent, or Firm—Kelly Bauersfeld Lowry & Kelley, LLP

[57] **CLAIM**

The ornamental design for a lamp, as shown and described.

DESCRIPTION

FIG. 1 is a front and right side perspective view of a lamp embodying my new design, an exemplary base of the lamp being shown in broken lines for illustrative purposes only and forming no part of the claimed design; FIG. 2 is a front elevational view thereof; FIG. 3 is a rear elevational view thereof; FIG. 4 is a right side elevational view thereof, the left side elevational view being a mirror image; FIG. 5 is a top plan view thereof; and, FIG. 6 is a bottom plan view thereof.

1 Claim, 2 Drawing Sheets

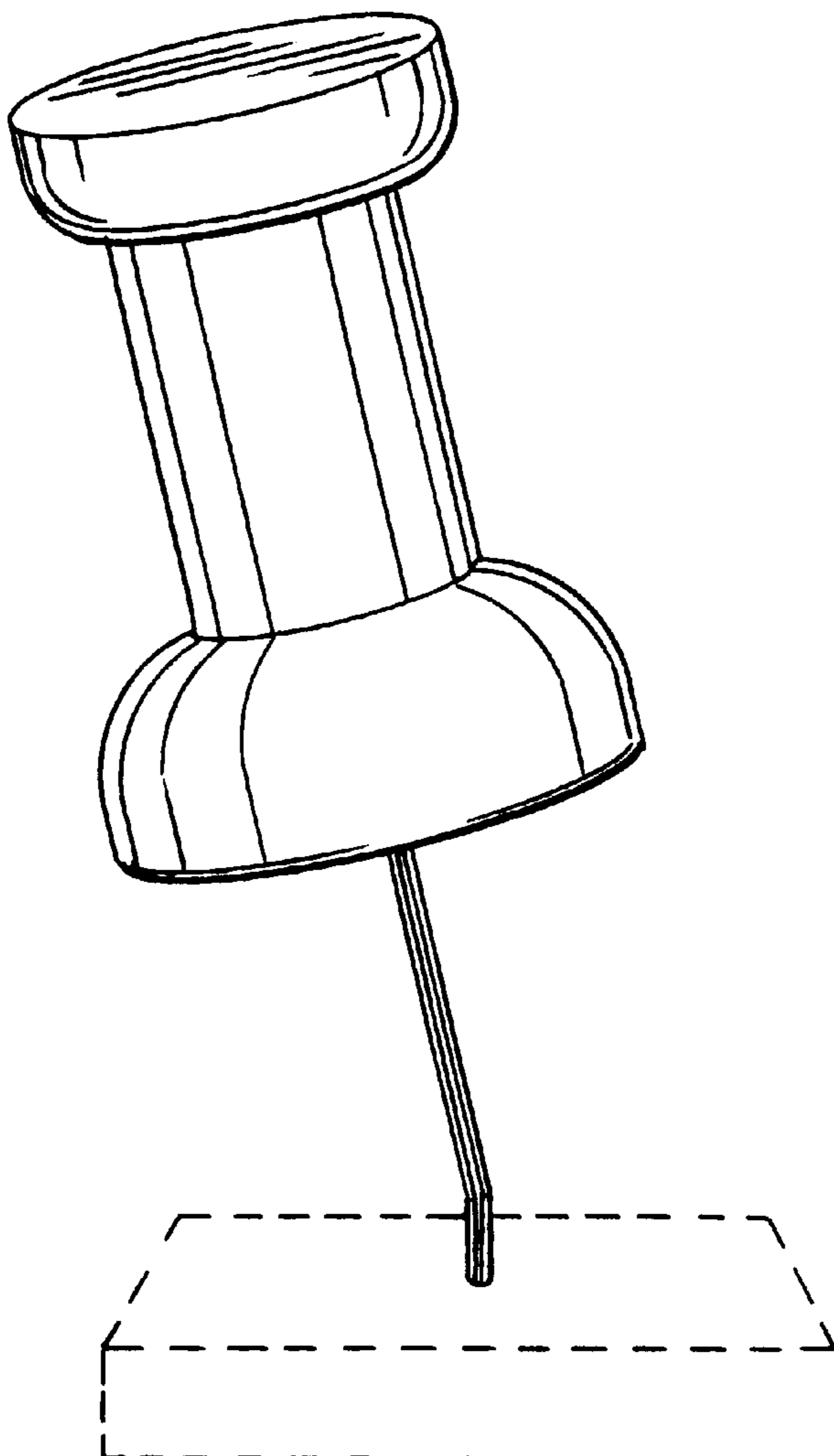


FIG. 1

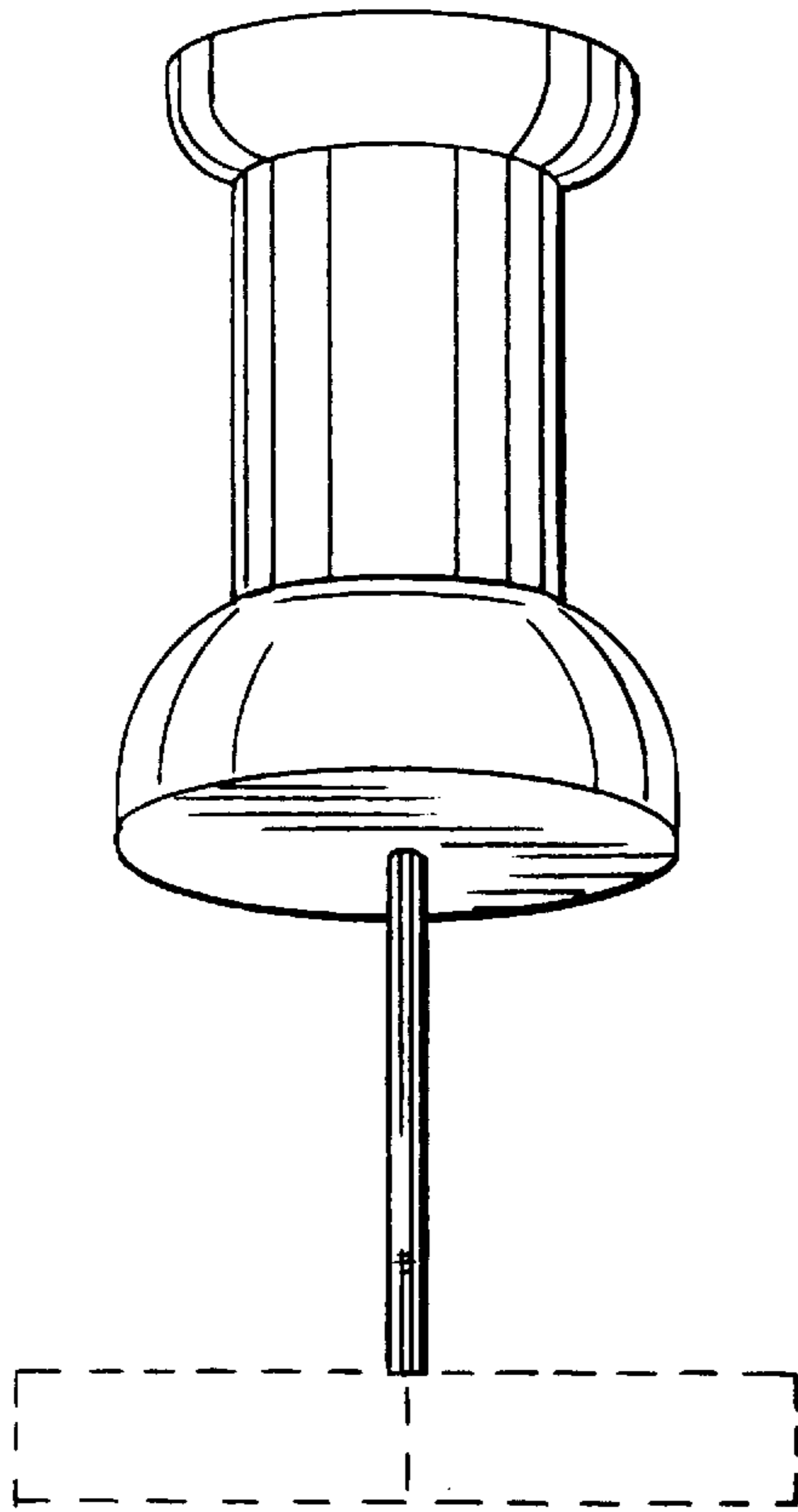
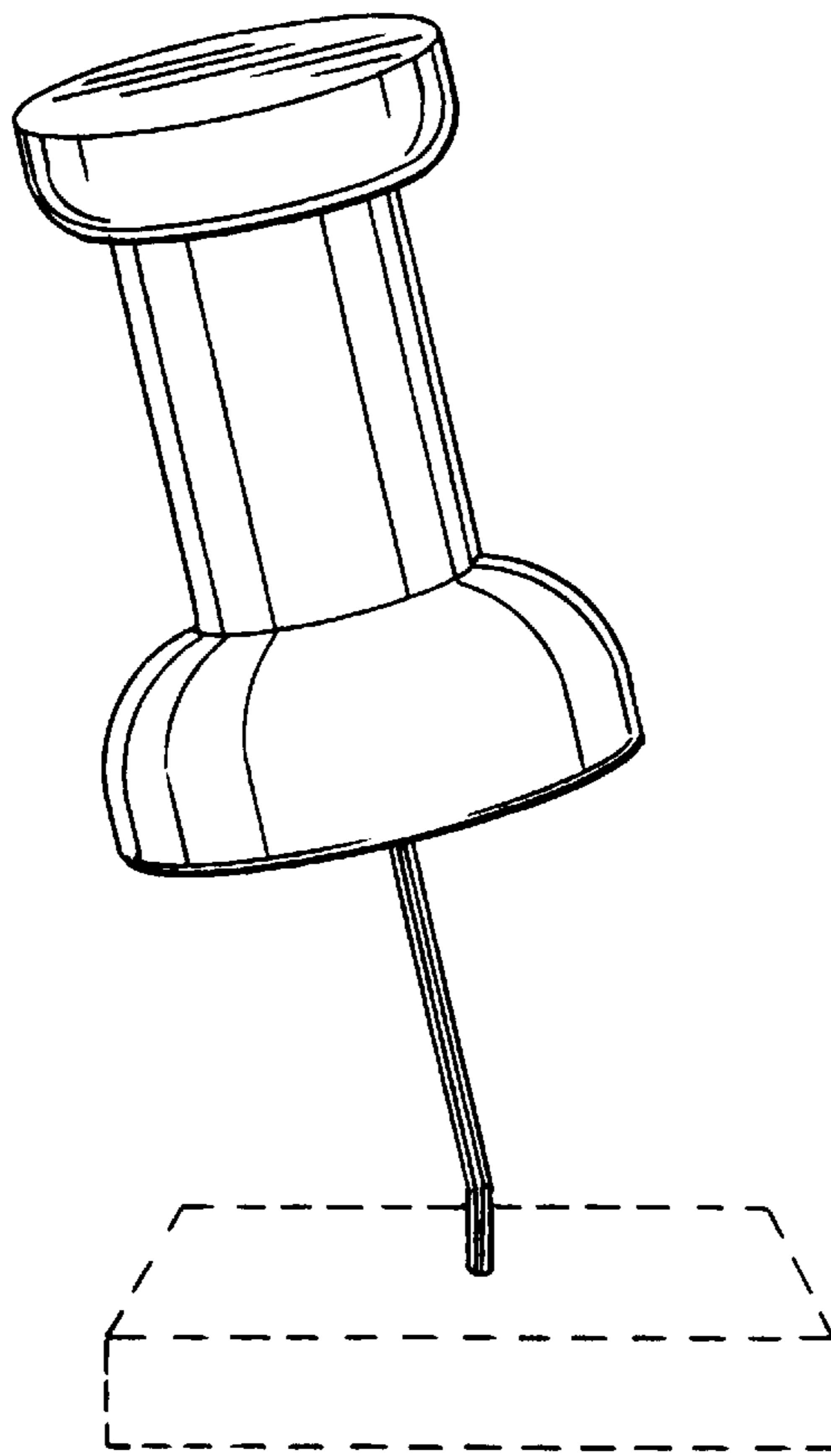


FIG. 2

FIG. 3

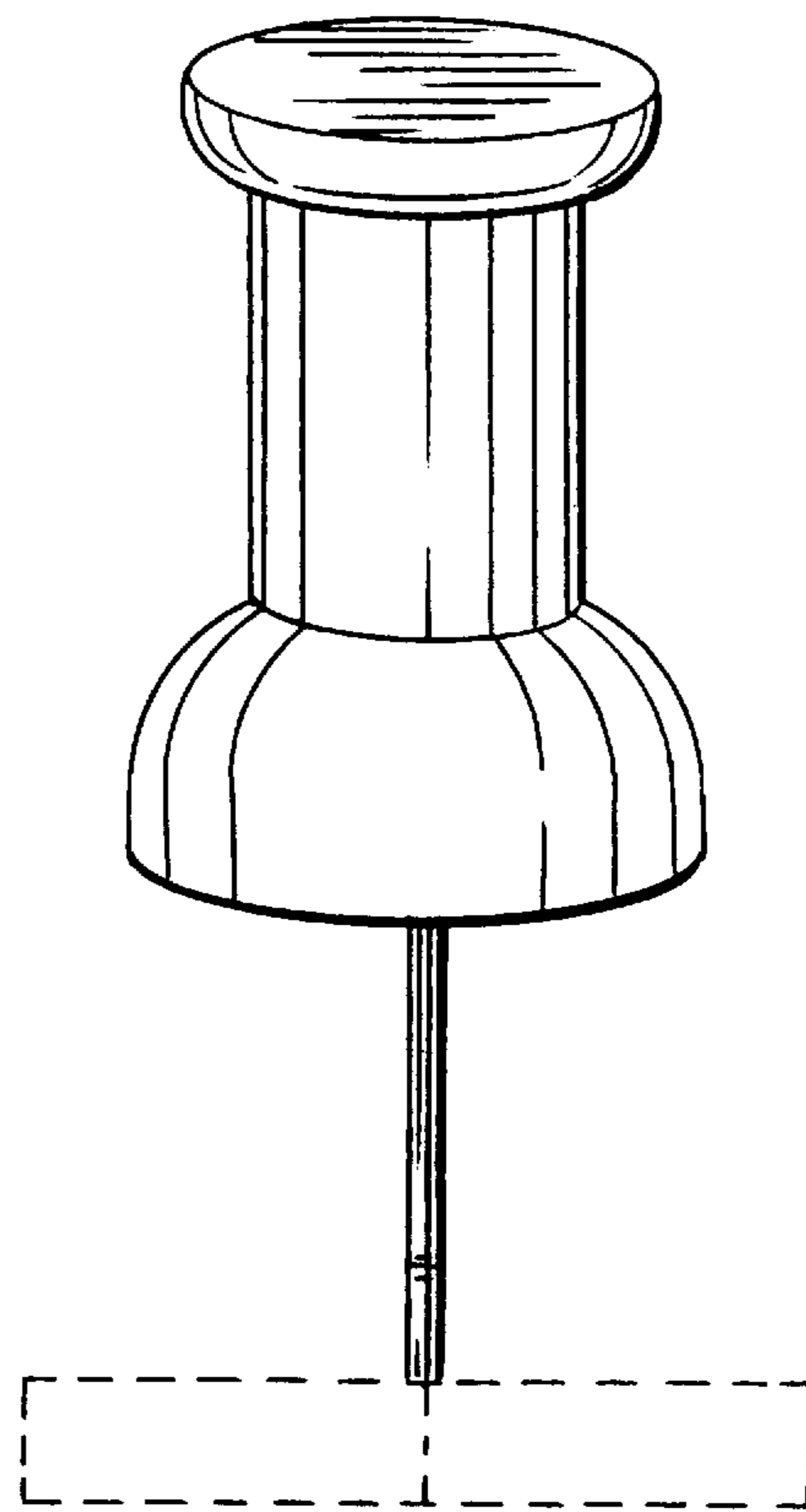


FIG. 4

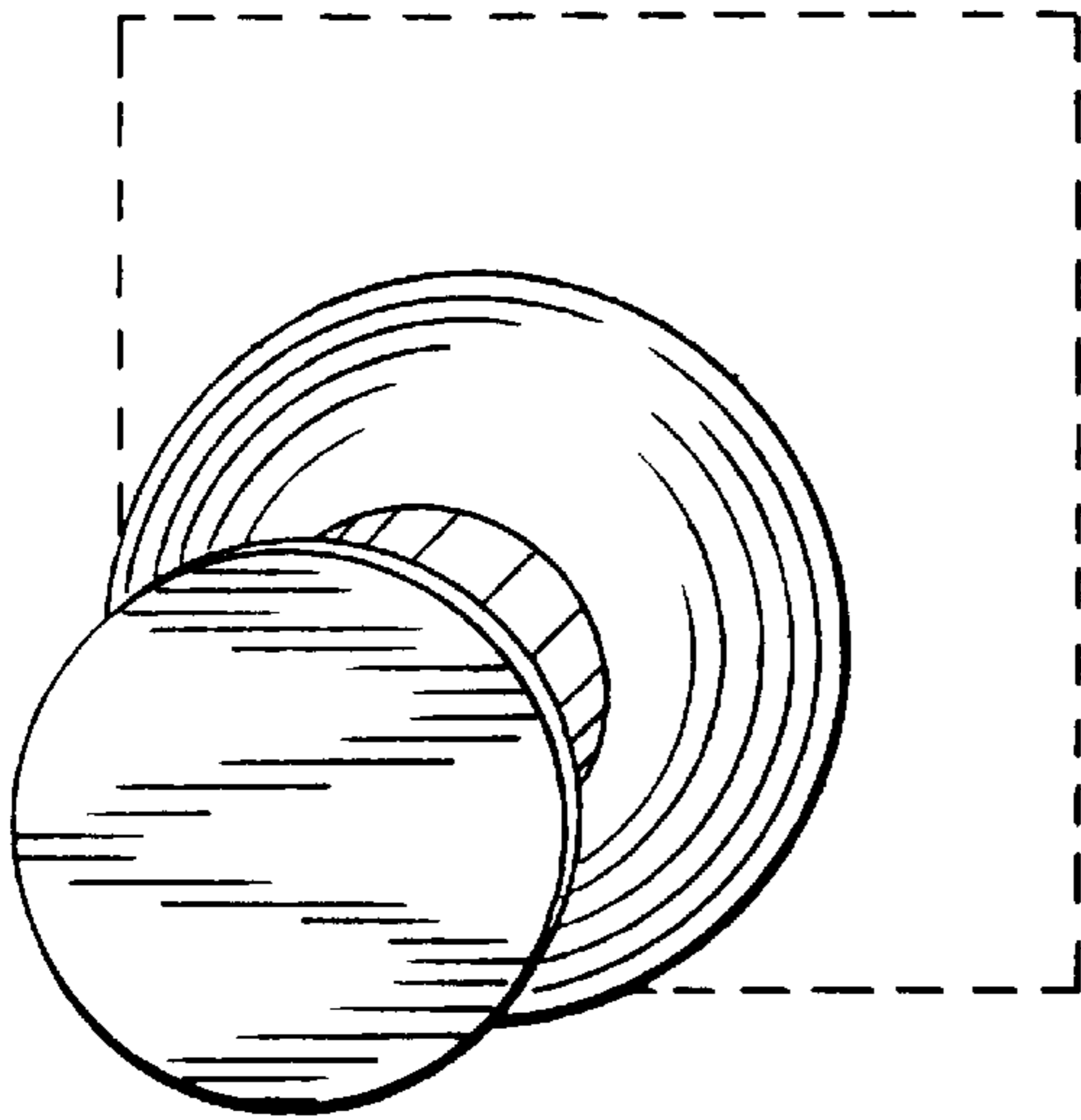
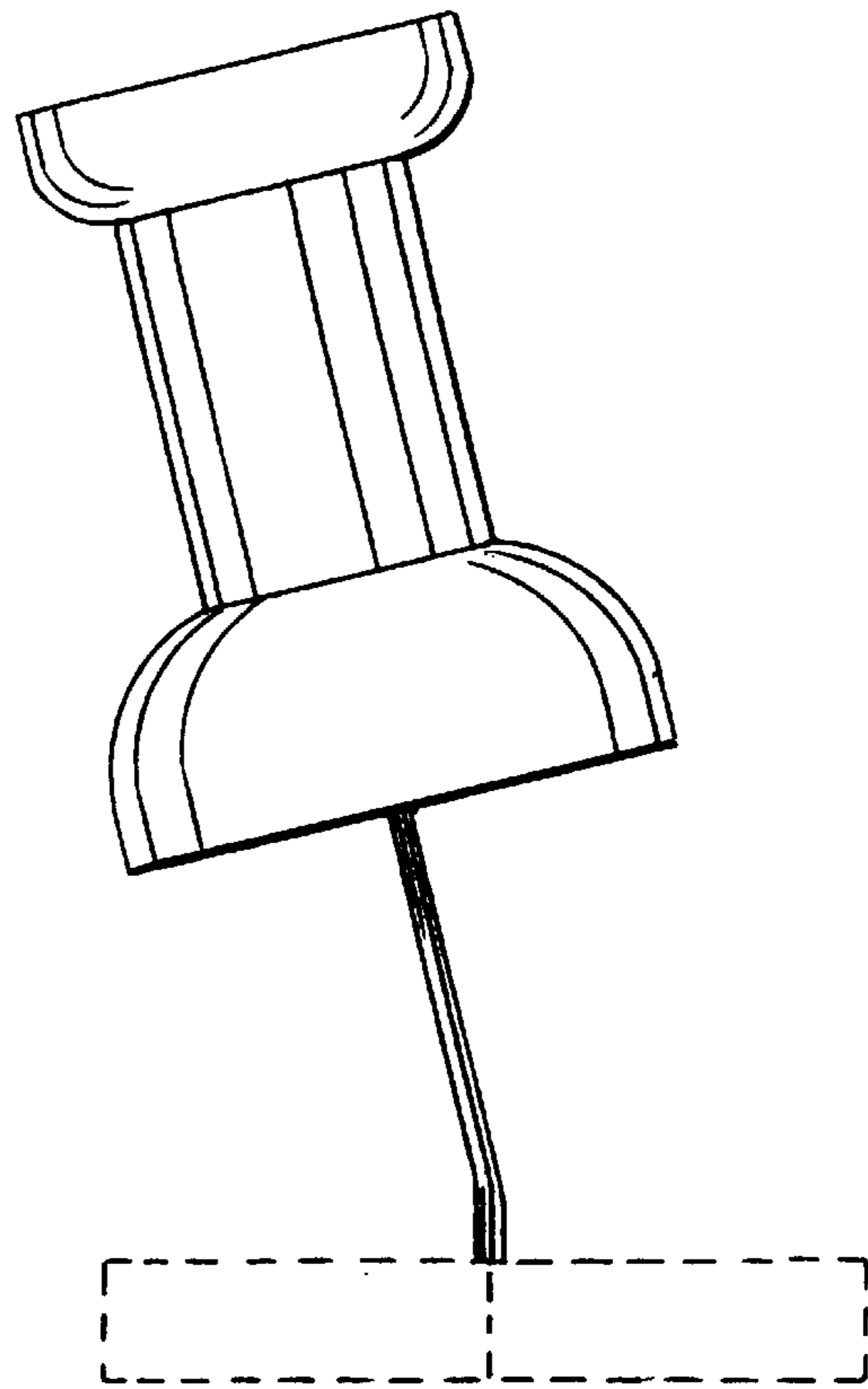


FIG. 5

FIG. 6

