



US00D432258S

United States Patent [19]

[11] **Patent Number: Des. 432,258**

Fussell et al.

[45] **Date of Patent: ** Oct. 17, 2000**

[54] **CANDLE LAMP**

5,174,645 12/1992 Chung .
5,199,781 4/1993 Sweeny .
5,601,360 2/1997 Paquette .
5,829,869 11/1998 Clegg et al. .

[75] Inventors: **David A Fussell**, Suwanee; **James W Gibboney, Jr.**, Conyers, both of Ga.

[73] Assignee: **Global Research & Development Corp**, Suwanee, Ga.

[**] Term: **14 Years**

[21] Appl. No.: **29/114,317**

[22] Filed: **Nov. 22, 1999**

[51] **LOC (7) Cl.** **26-03**

[52] **U.S. Cl.** **D26/96**

[58] **Field of Search** D26/93-112; 362/410-414

[56] **References Cited**

U.S. PATENT DOCUMENTS

| | | | |
|------------|---------|------------------|--------|
| D. 292,323 | 10/1987 | Vandrilla . | |
| D. 293,826 | 1/1988 | Berg et al. | D26/96 |
| D. 294,070 | 2/1988 | Vandrilla . | |
| D. 299,556 | 1/1989 | Marshbanks | D26/96 |
| D. 320,864 | 10/1991 | Boschetto . | |
| 5,152,602 | 10/1992 | Boschetto . | |

OTHER PUBLICATIONS

GKI/Bethlehem Lighting Cat., Battery Flame Tip Candle, undated.

Primary Examiner—Lisa Lichtenstein
Attorney, Agent, or Firm—Michael A Mann; Nexsen Pruet Jacobs & Pollard LLP

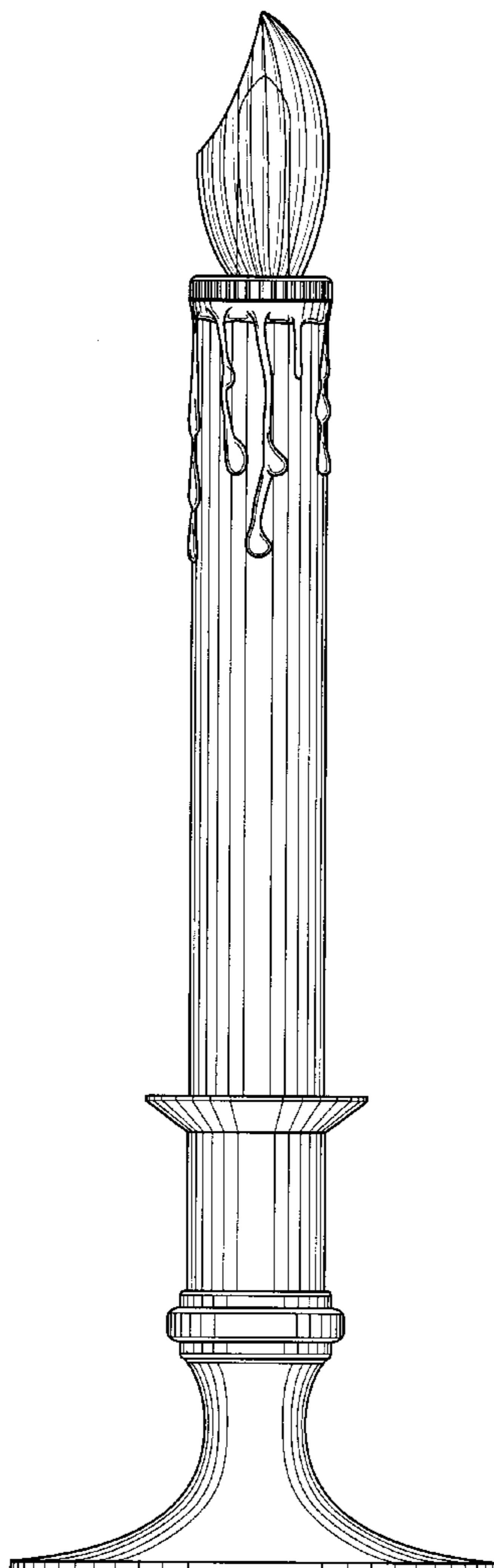
[57] **CLAIM**

The ornamental design for a candle lamp, as shown and described.

DESCRIPTION

FIG. 1 is a left side view thereof;
FIG. 2 is a front view thereof;
FIG. 3 is a rear view thereof;
FIG. 4 is a right side view thereof;
FIG. 5 is a top view thereof; and,
FIG. 6 is a bottom view thereof.

1 Claim, 3 Drawing Sheets



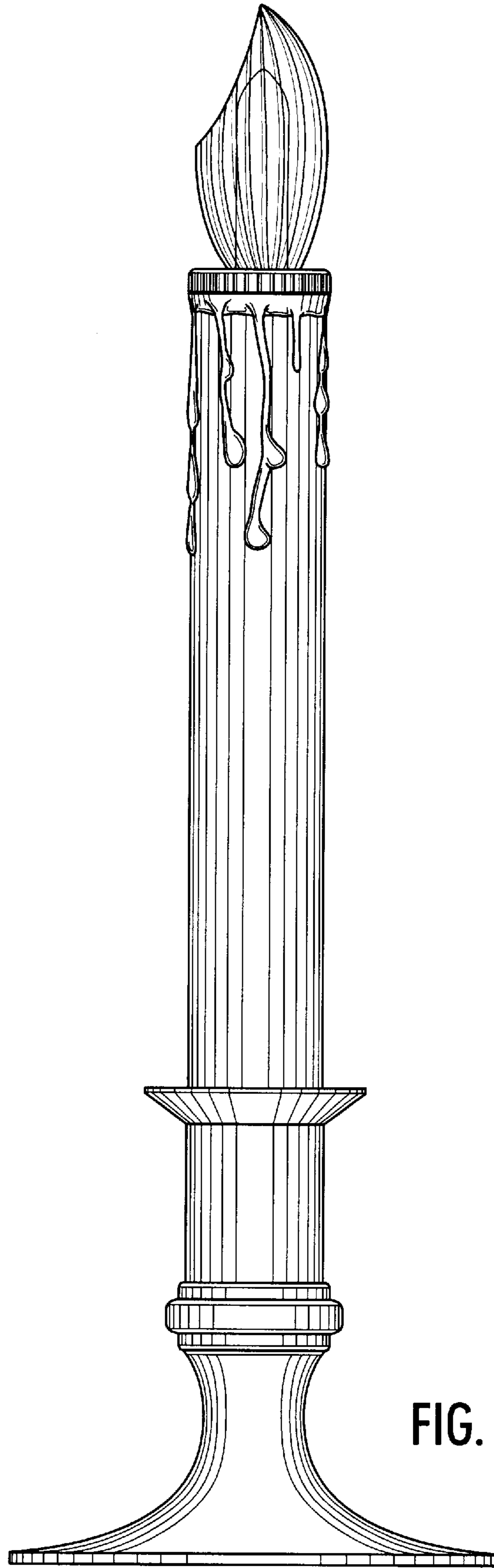


FIG. 1

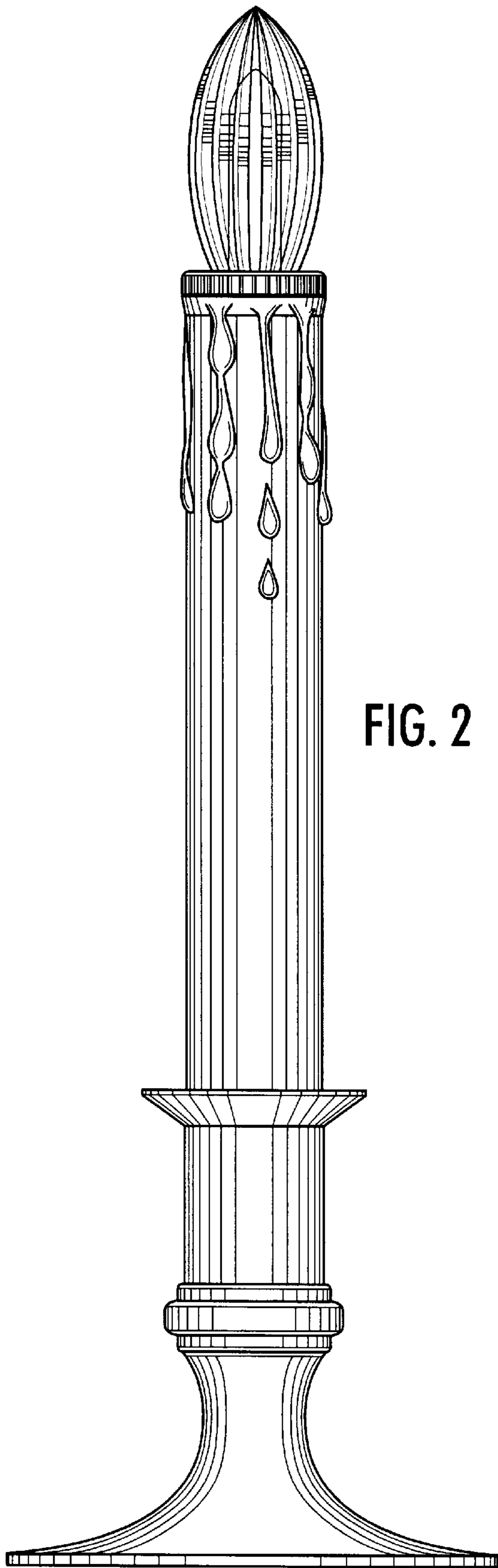


FIG. 2

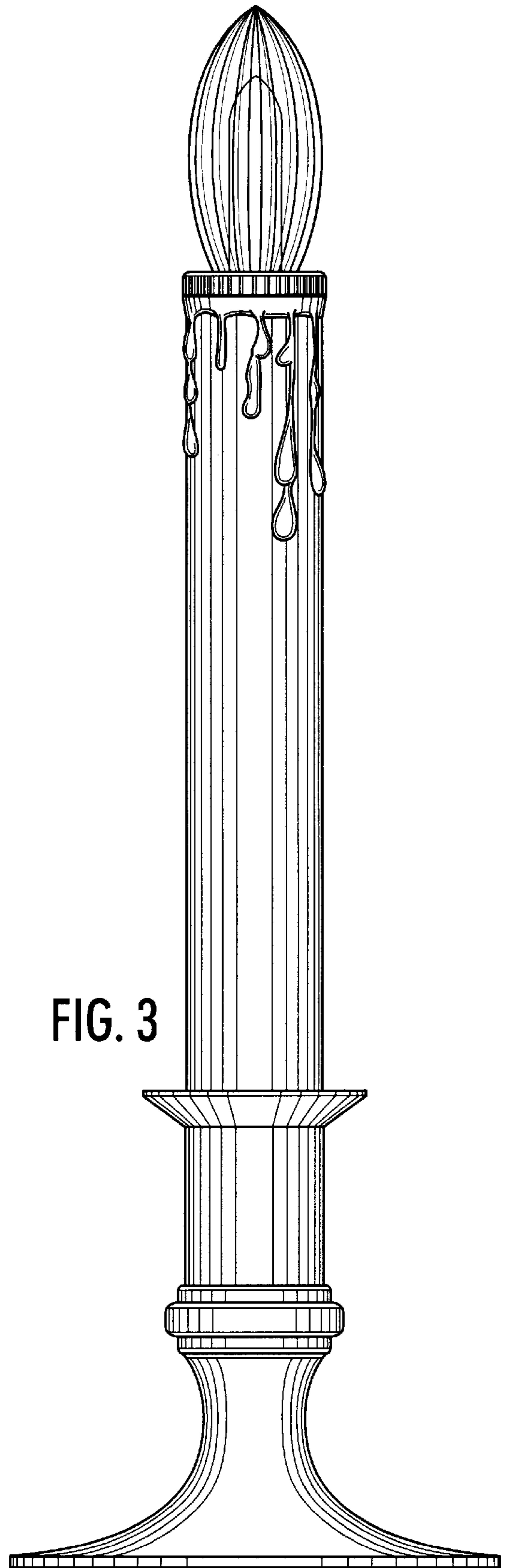


FIG. 3

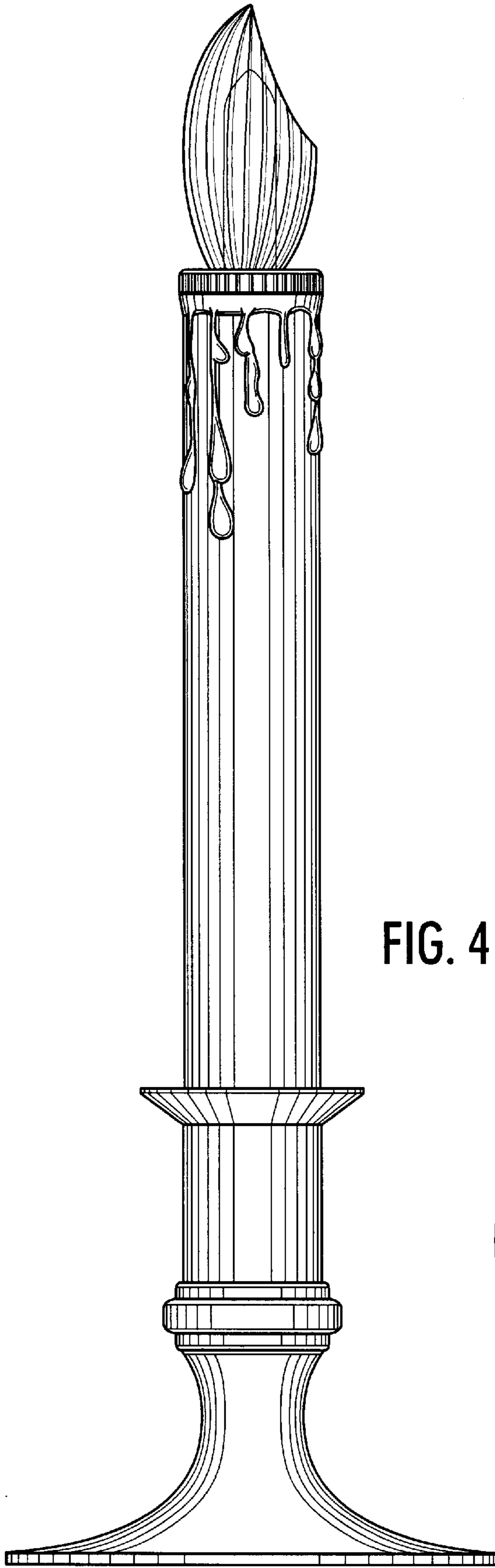


FIG. 4

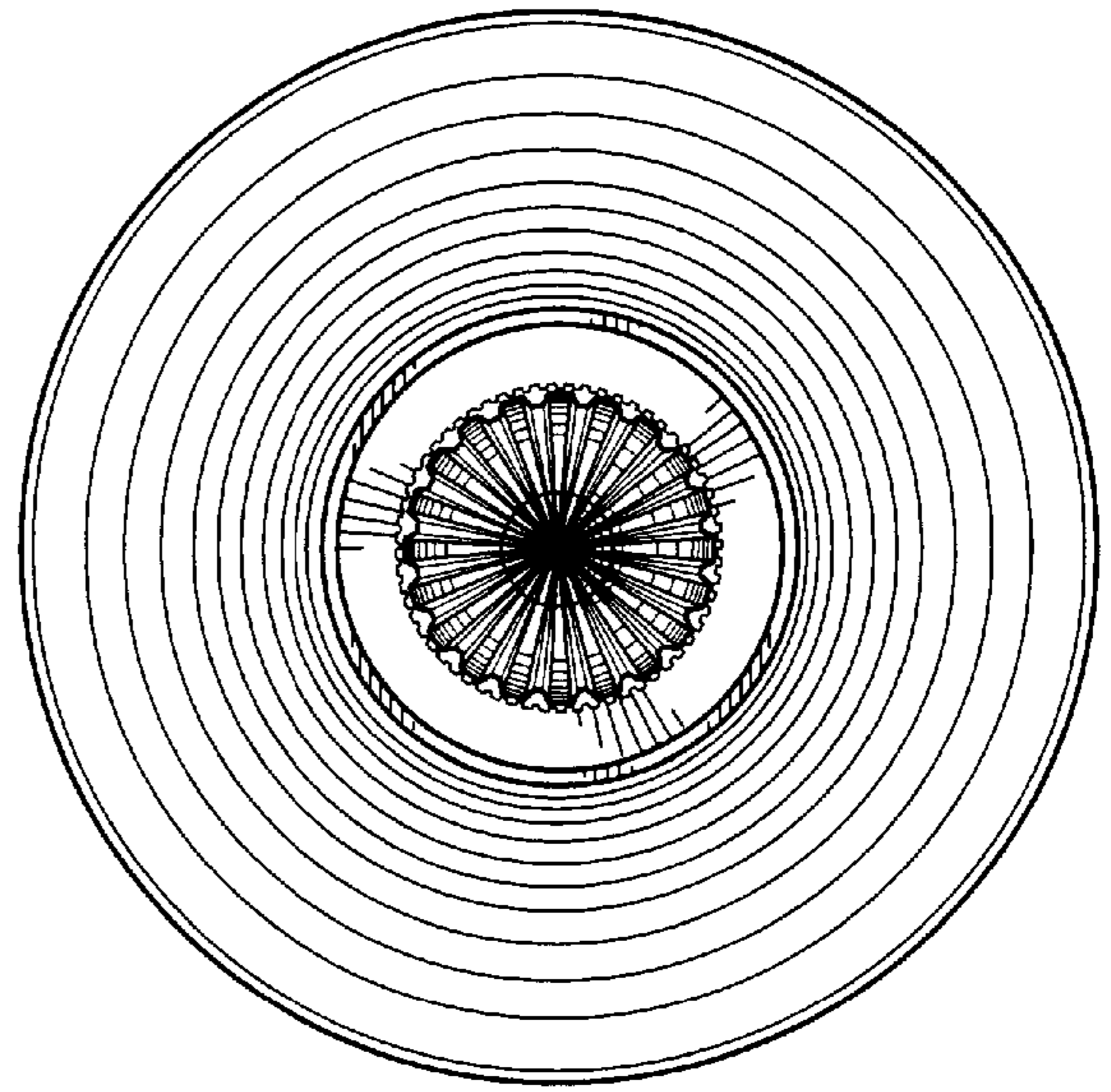


FIG. 5

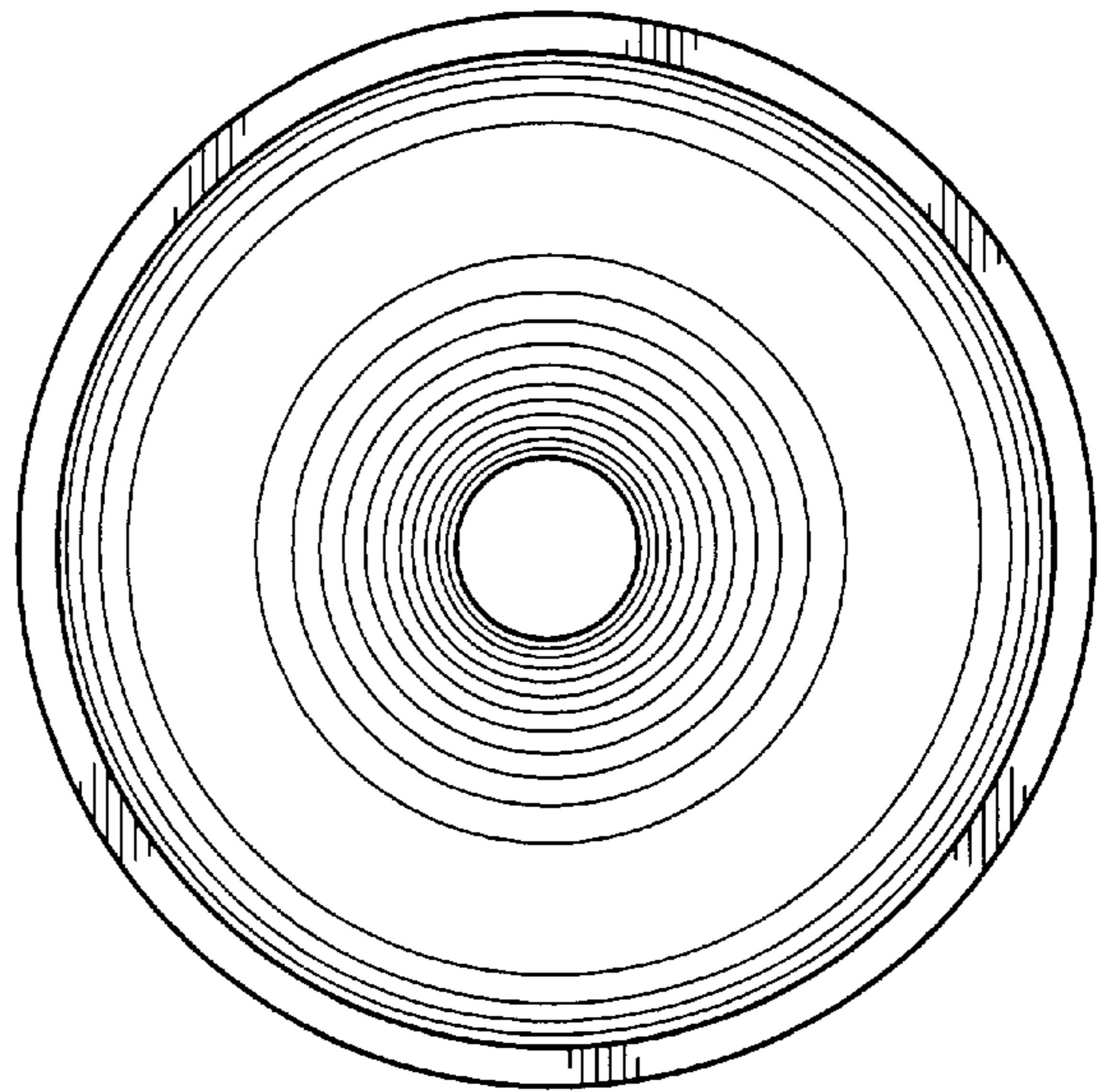


FIG. 6