



US00D432257S

United States Patent [19] Ewing

[11] Patent Number: Des. 432,257

[45] Date of Patent: ** Oct. 17, 2000

[54] **SUSPENDED LUMINAIRE**

[75] Inventor: **Robert L. Ewing**, Newark, Ohio

[73] Assignee: **Holophane Corporation**, Newark, Ohio

[**] Term: **14 Years**

[21] Appl. No.: **29/106,642**

[22] Filed: **Jun. 18, 1999**

[51] **LOC (7) Cl.** **26-03**

[52] **U.S. Cl.** **D26/85**

[58] **Field of Search** D26/72, 80-92;
362/147, 404-408, 294, 297, 362, 367

[56] **References Cited**

U.S. PATENT DOCUMENTS

D. 109,661	5/1938	Hoeverler	D26/88
D. 195,875	8/1963	Saporito et al.	D26/87
D. 343,471	1/1994	Belisle et al.	D26/85
D. 400,277	10/1998	Ewing et al.	D26/85
3,766,375	10/1973	Edman et al.	D26/88

Primary Examiner—Susan J. Lucas

[57] **CLAIM**

The ornamental design for a suspended luminaire, as shown and described.

DESCRIPTION

FIG. 1 is a perspective view of a first embodiment of my new design;

FIG. 2 is a front elevational view of the first embodiment;

FIG. 3 is a right side elevational view of the first embodiment, the left side being a mirror image thereof;

FIG. 4 is a rear elevational view of the first embodiment;

FIG. 5 is a top plan view of the first embodiment;

FIG. 6 is a bottom plan view of the first embodiment;

FIG. 7 is a perspective view of a second embodiment of my new design;

FIG. 8 is a front elevational view of the second embodiment;

FIG. 9 is a right side elevational view of the second embodiment, the left side being a mirror image thereof;

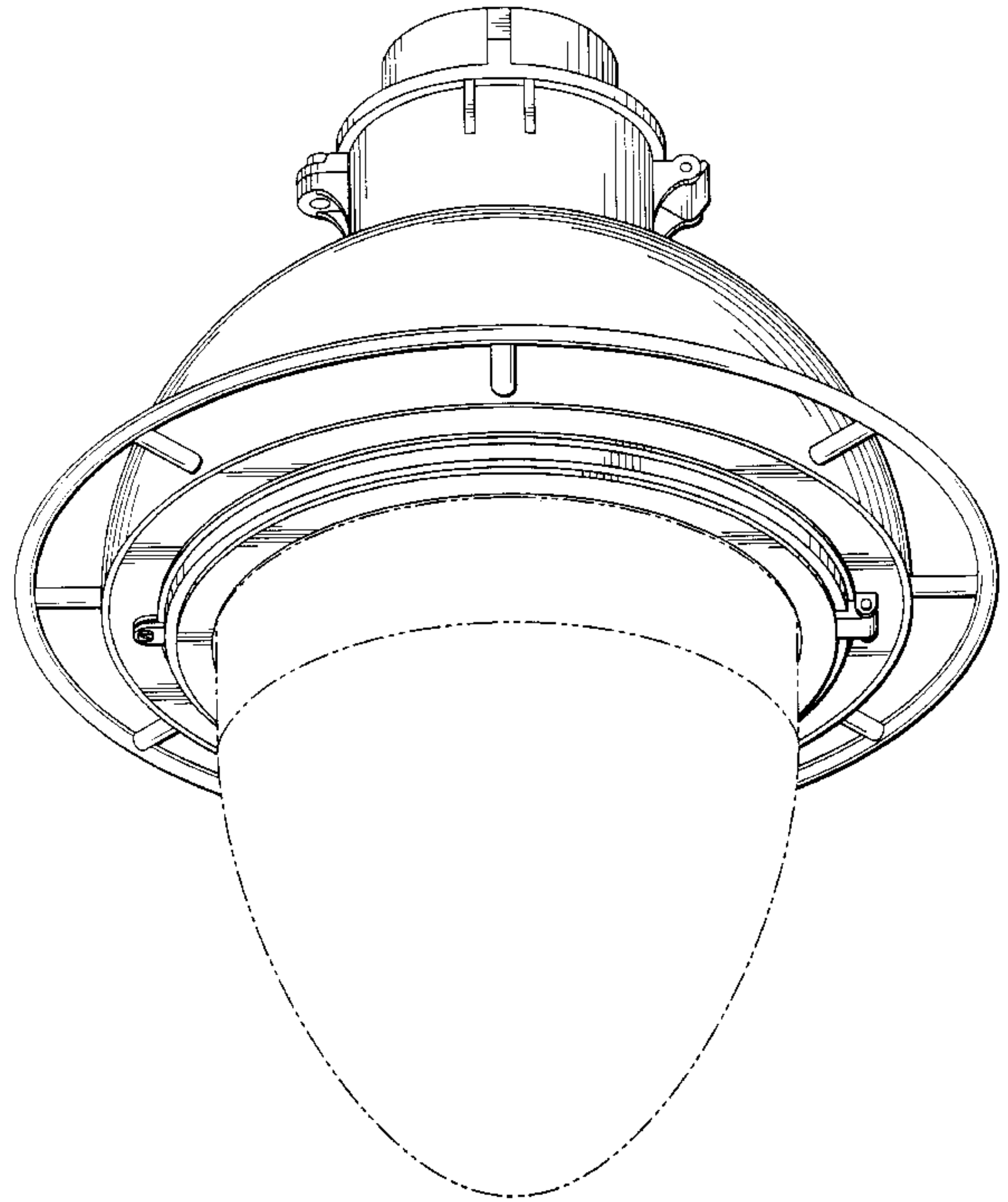
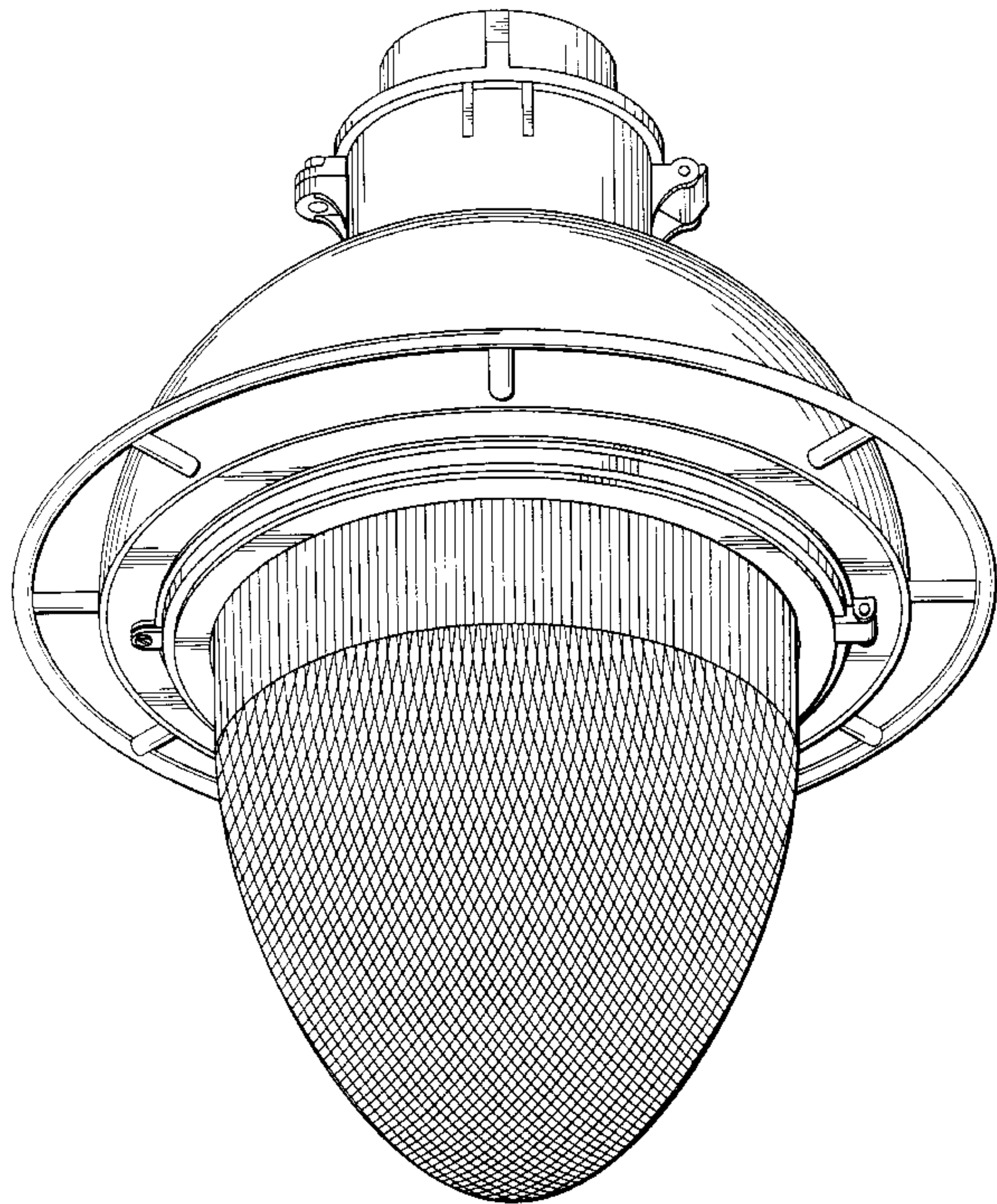
FIG. 10 is a rear elevational view of the second embodiment;

FIG. 11 is a top plan view of the second embodiment; and,

FIG. 12 is a bottom plan view of the second embodiment.

The broken lines are shown for illustrative purposes only and form no part of the claimed design.

1 Claim, 10 Drawing Sheets



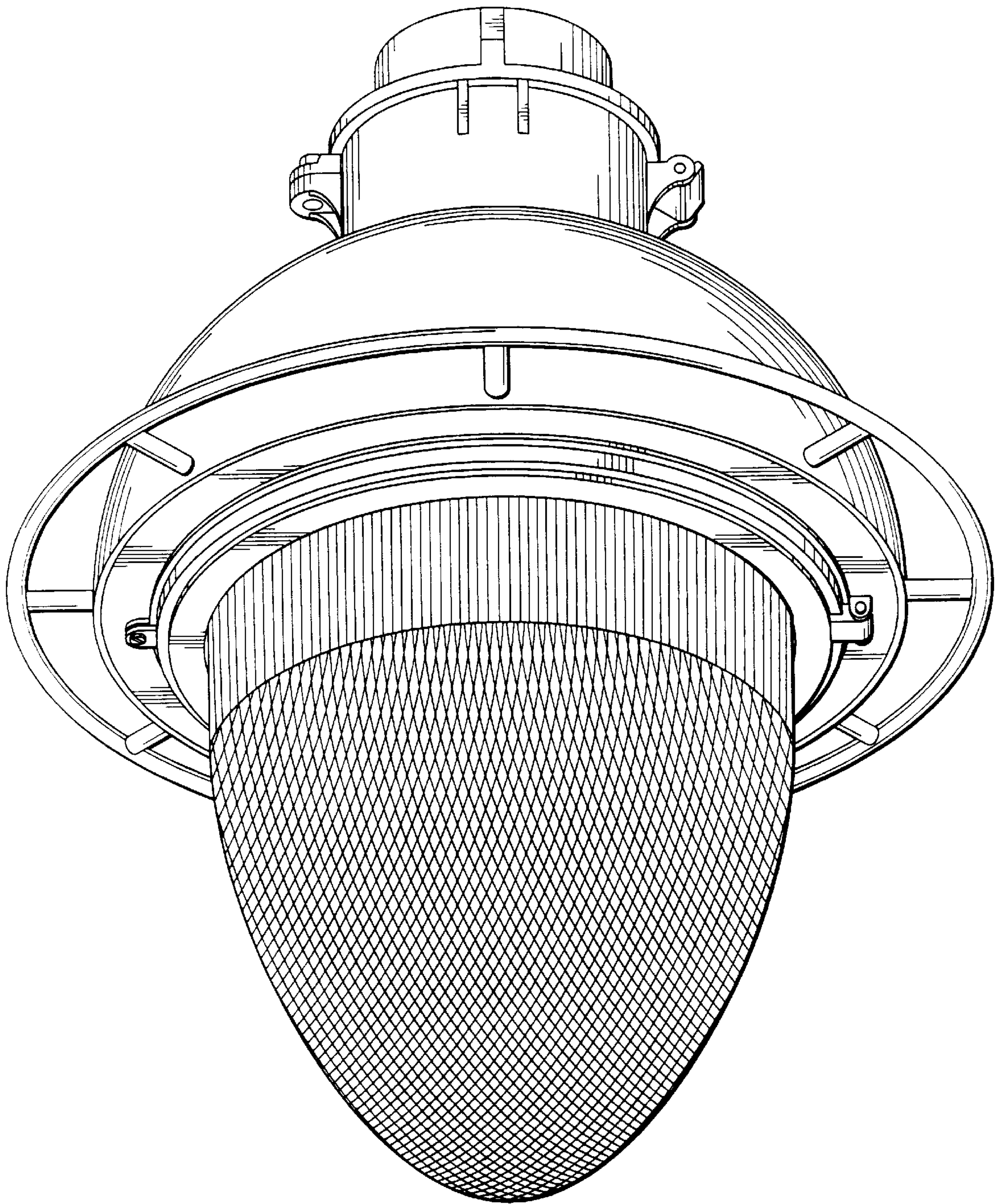


Fig. 1

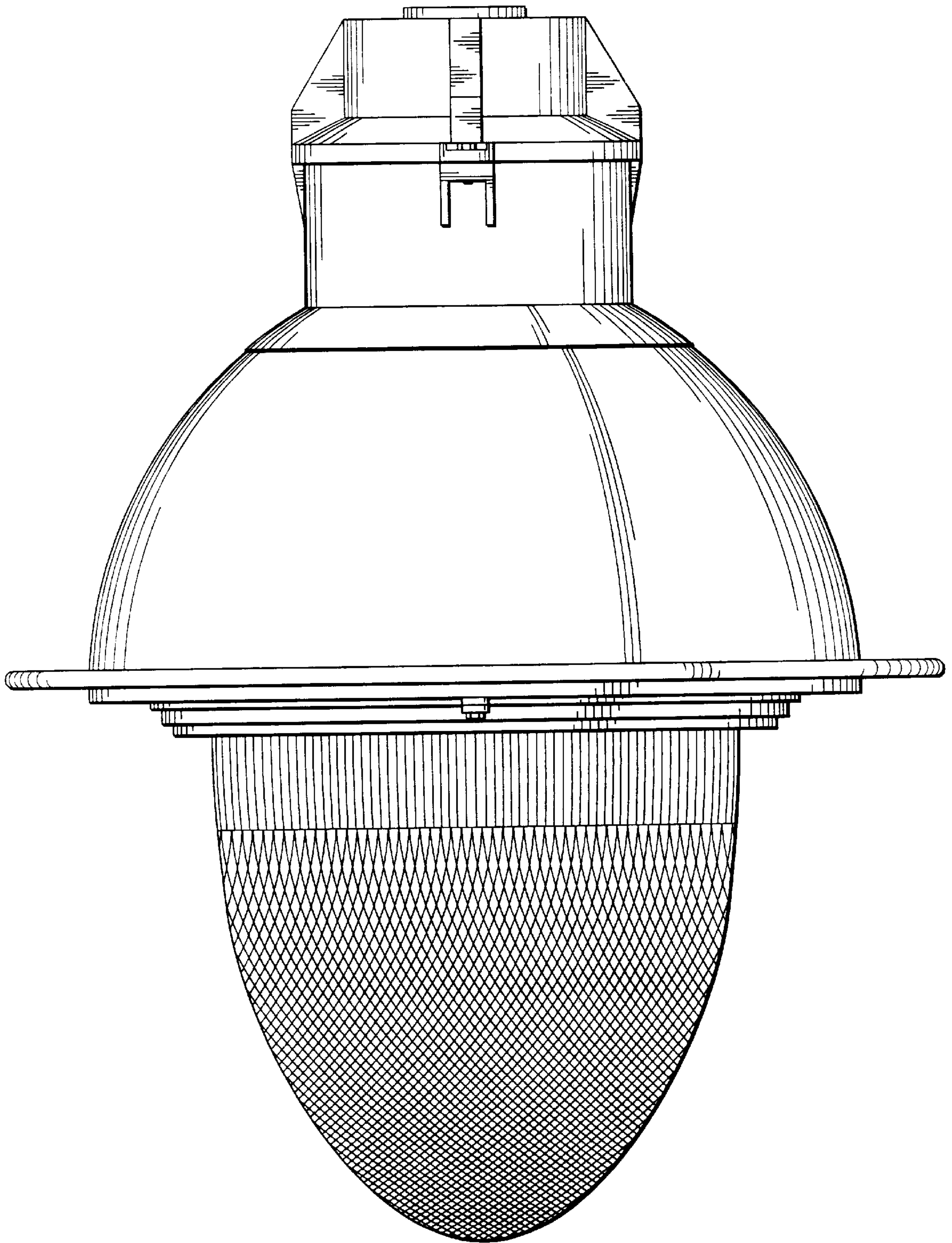


Fig. 2

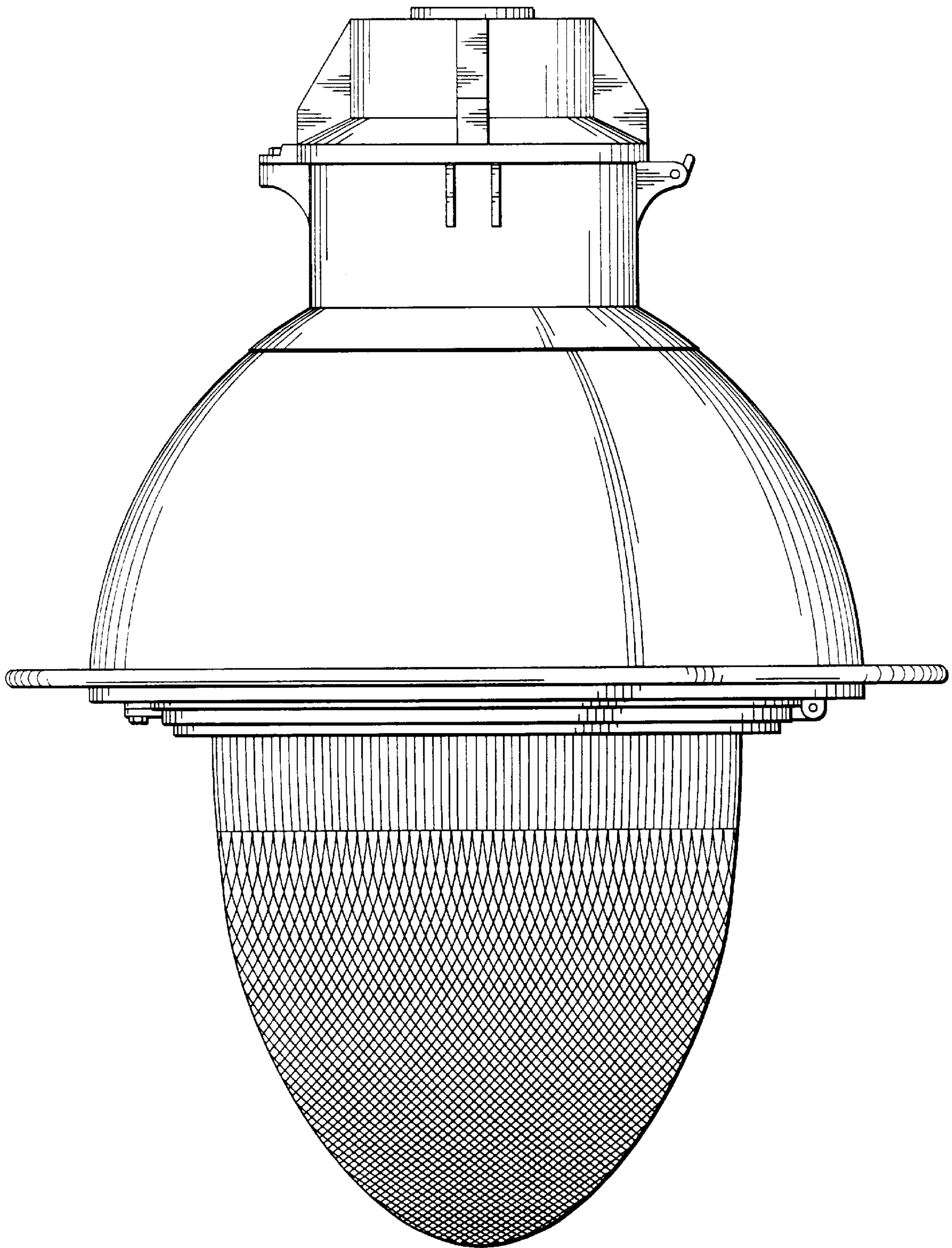


Fig. 3

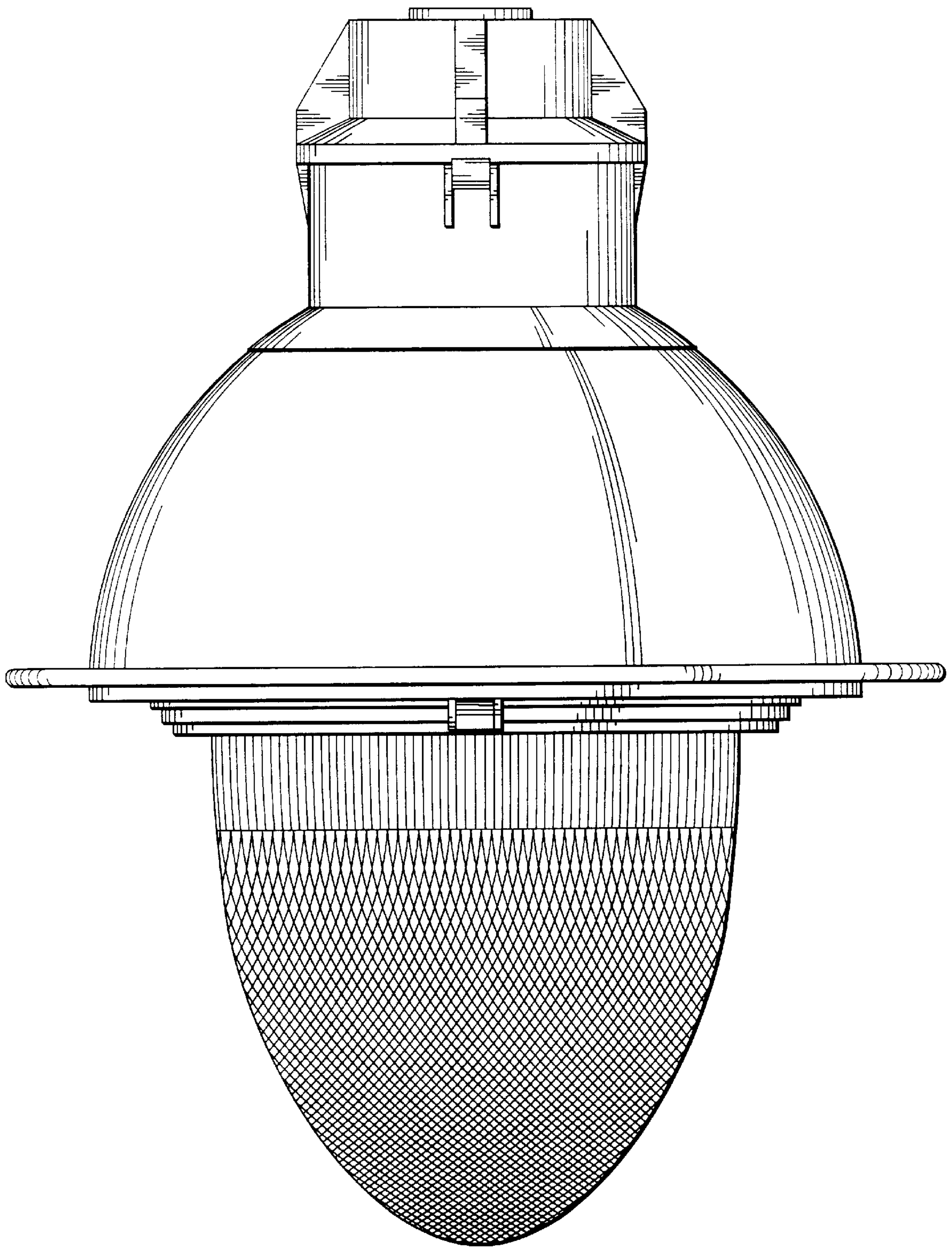


Fig. 4

Fig. 5

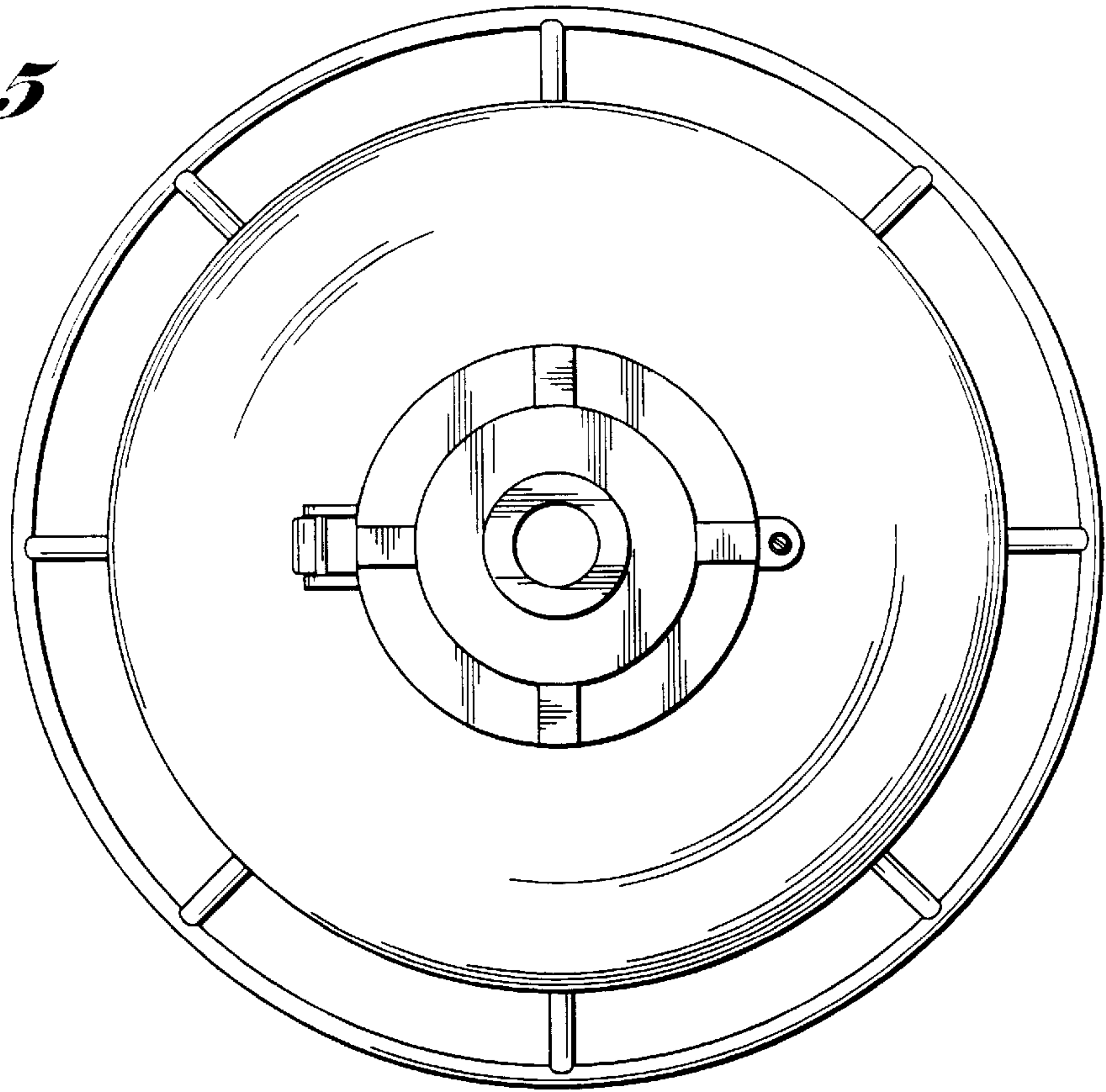
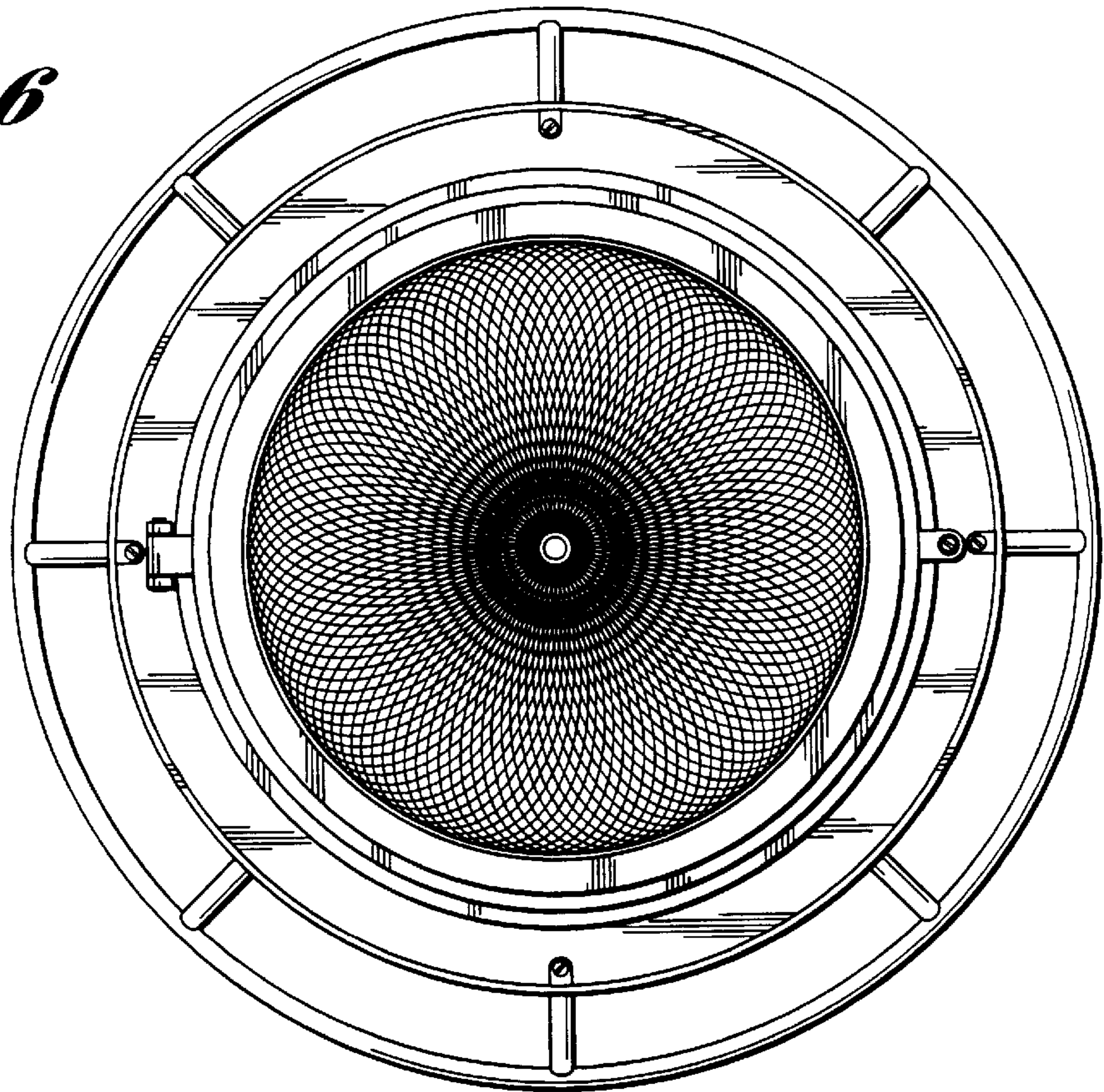


Fig. 6



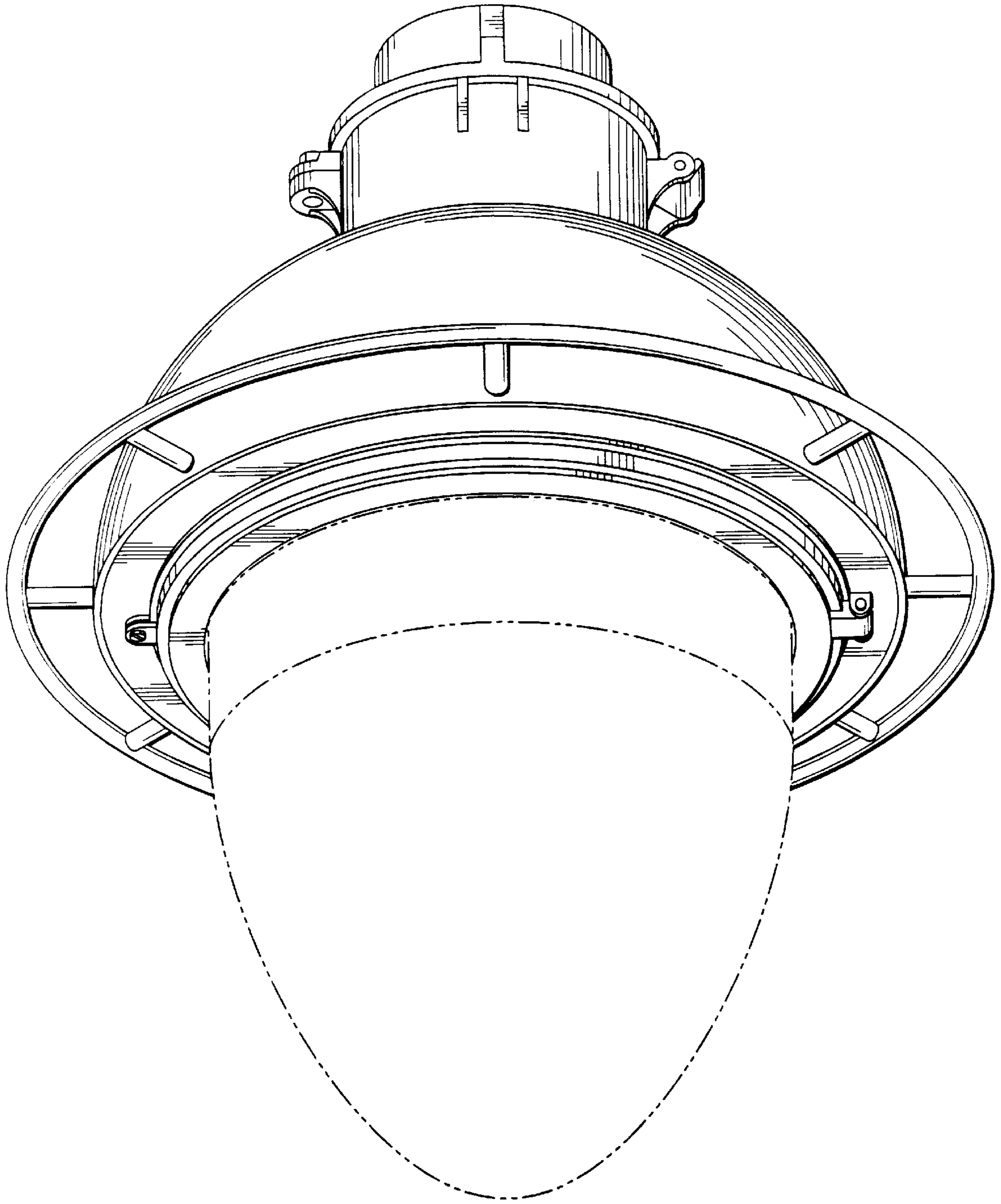


Fig. 7

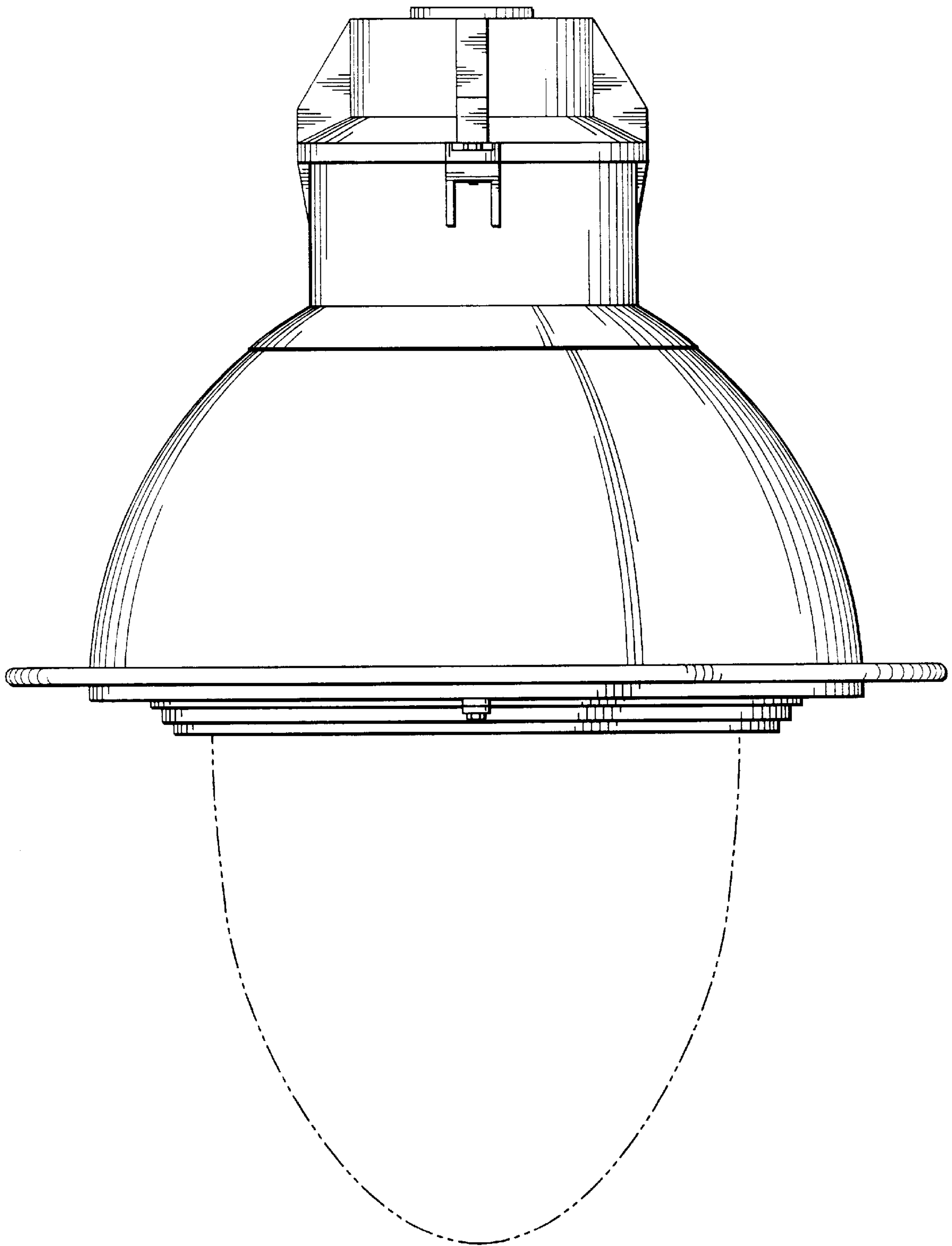


Fig. 8

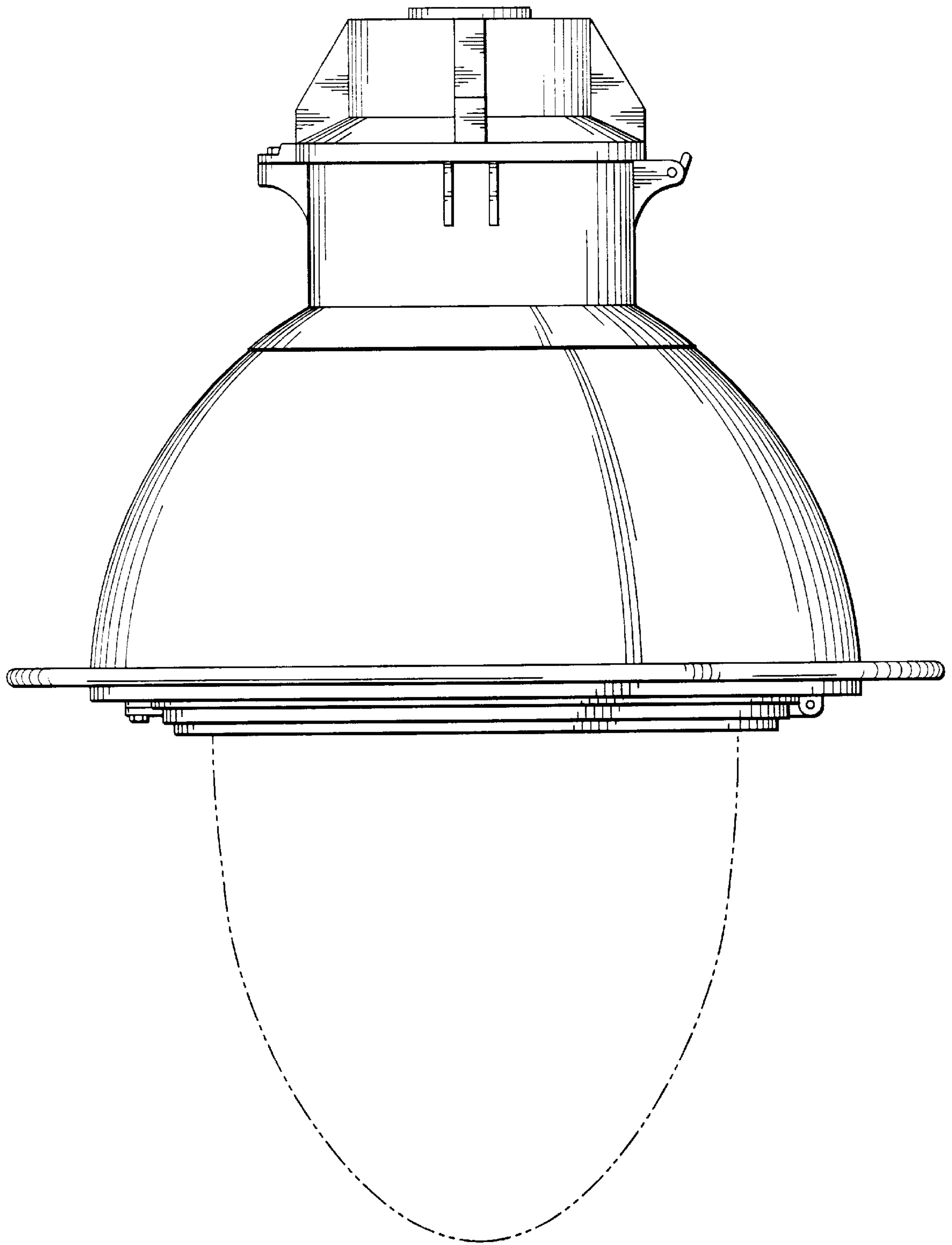


Fig. 9

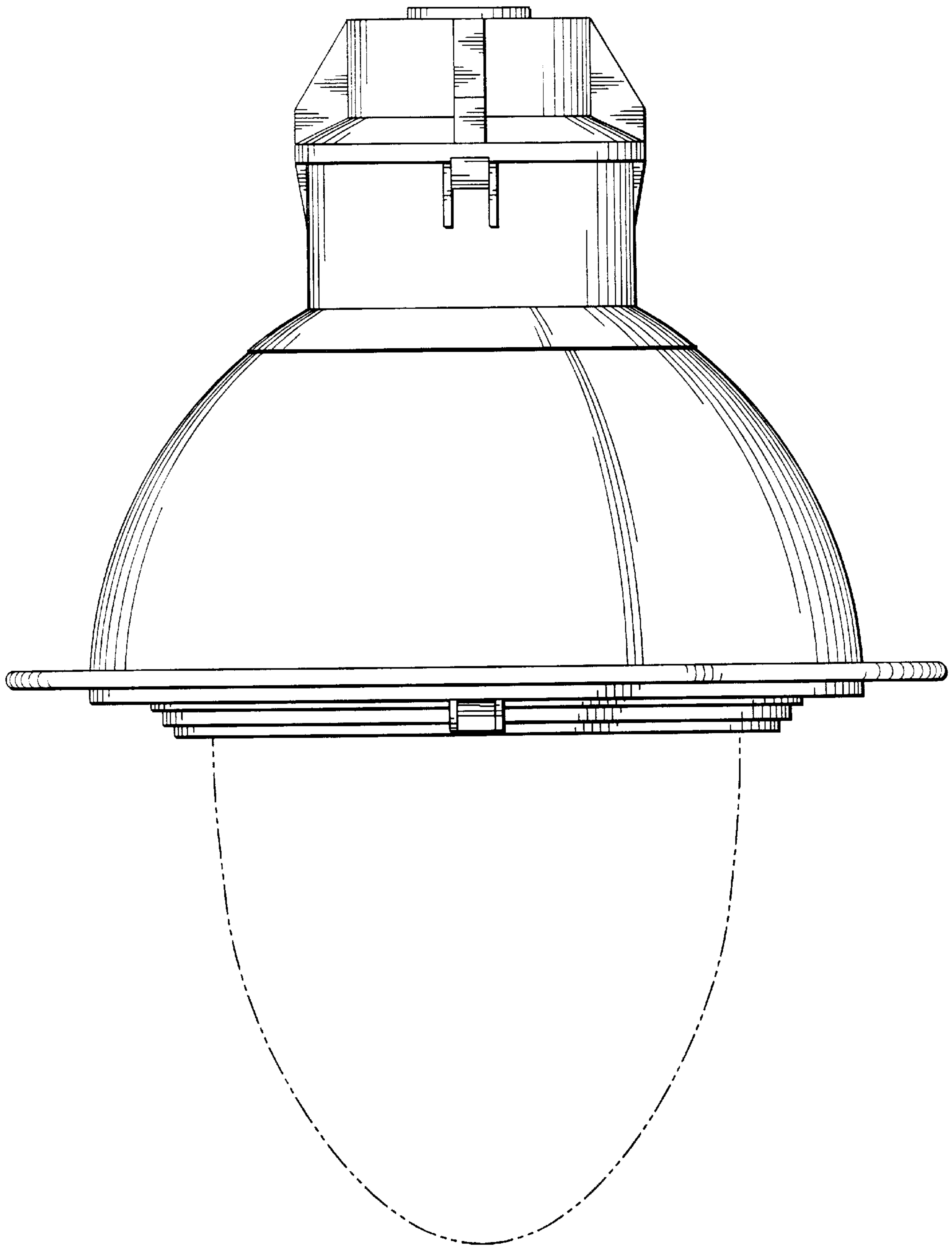


Fig. 10

Fig. 11

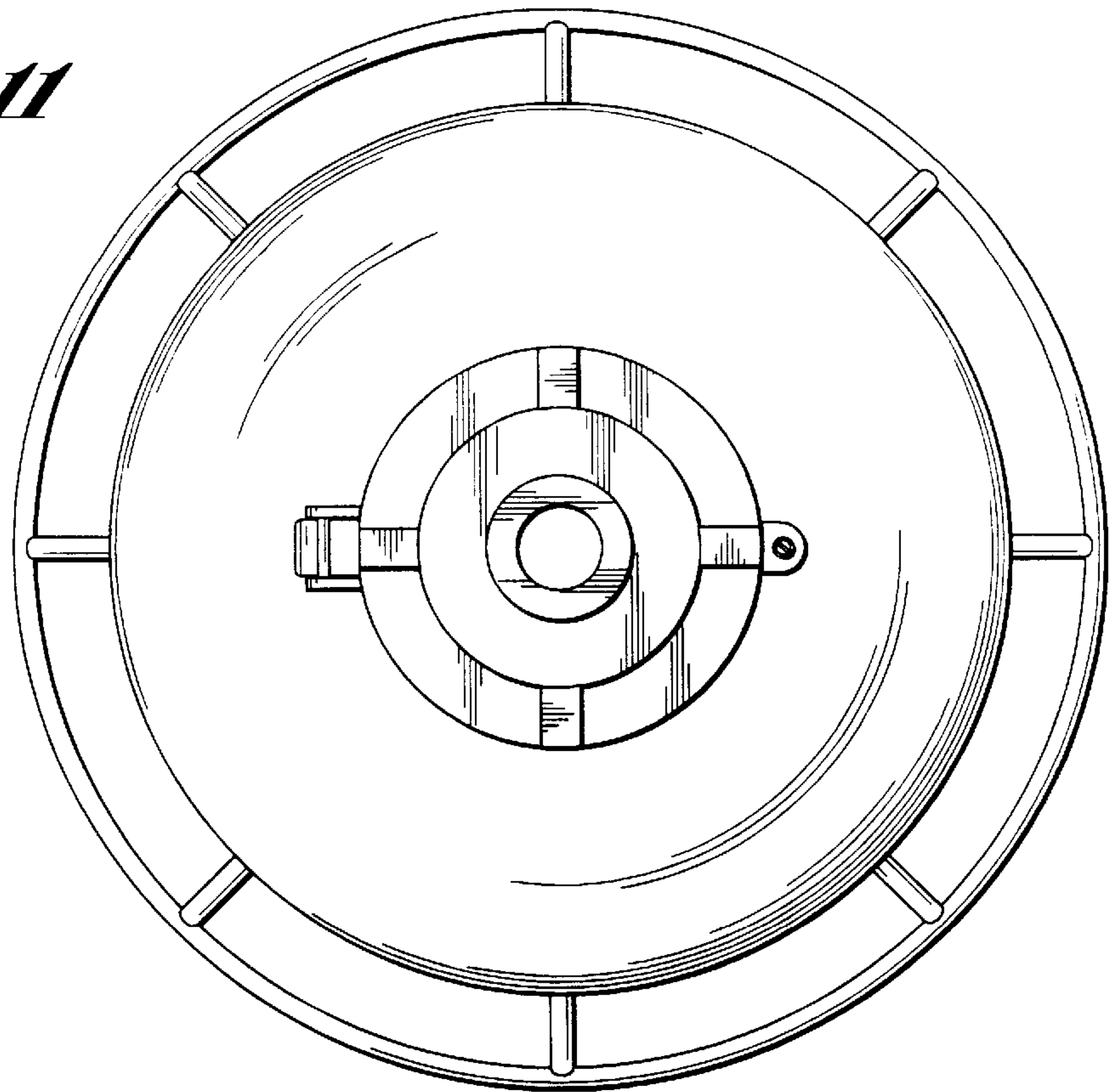


Fig. 12

