



US00D432255S

United States Patent [19] Fahmian

[11] Patent Number: Des. 432,255

[45] Date of Patent: ** Oct. 17, 2000

[54] COMBINED LIGHT FIXTURE AND LENS

4,698,733 10/1987 Griffin .
5,171,085 12/1992 Jaksich .

[75] Inventor: Hal Fahmian, Riverside, Calif.

OTHER PUBLICATIONS

[73] Assignee: Thin-Lite Corporation, Camarillo, Calif.

Lighting magazine, Feb. 1959, p. 29, MUS fluorescent light.

[**] Term: 14 Years

Primary Examiner—Susan J. Lucas
Attorney, Agent, or Firm—Fulwider Patton Lee & Utecht, LLP

[21] Appl. No.: 29/119,799

[57] CLAIM

[22] Filed: Mar. 8, 2000

The ornamental design for a combined light fixture and lens, as shown and described.

[51] LOC (7) Cl. 26-05

[52] U.S. Cl. D26/76

[58] Field of Search D26/75-78; 362/216,
362/217, 218, 219, 220, 221, 222, 223,
224, 225

DESCRIPTION

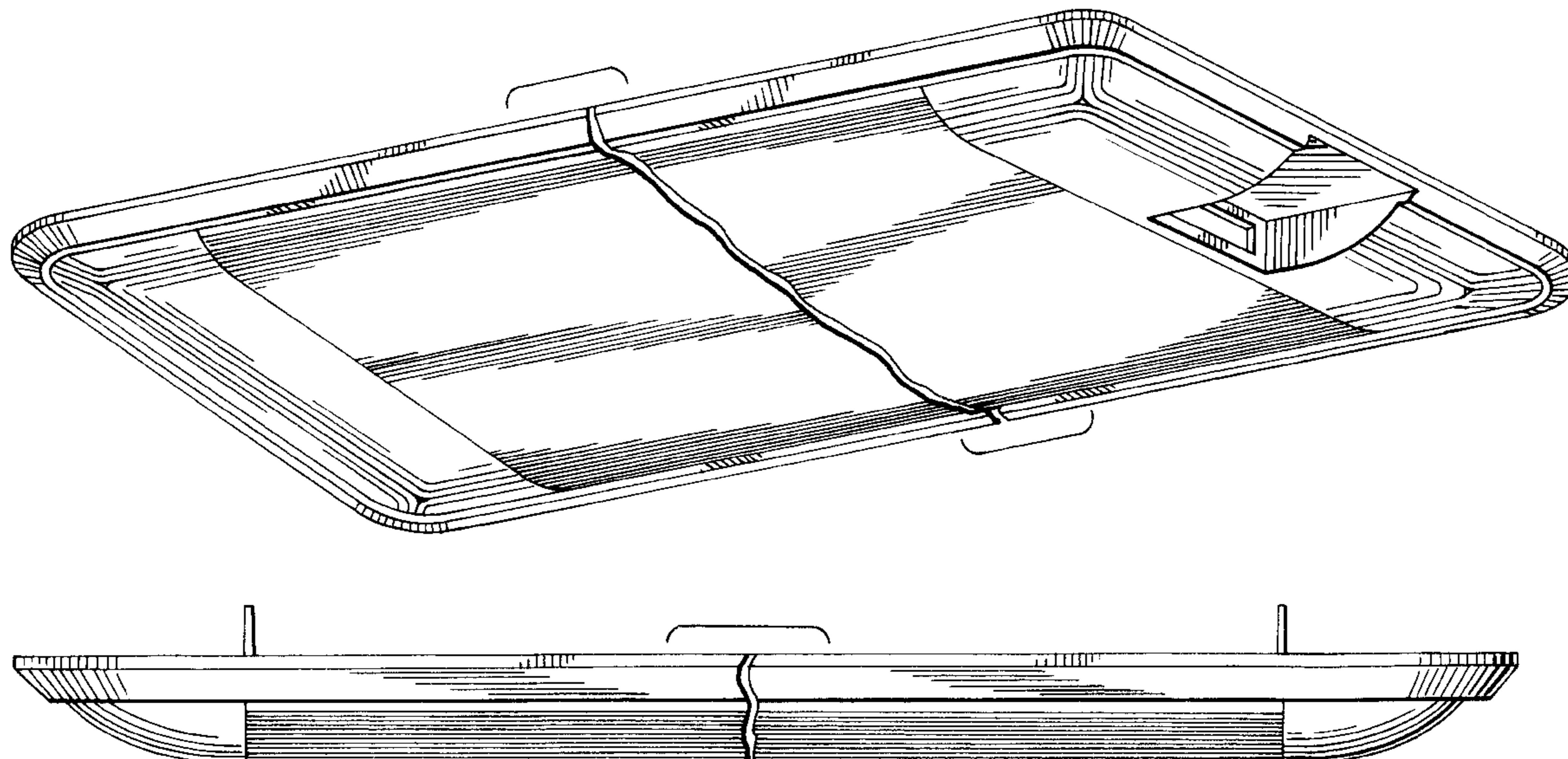
[56] References Cited

U.S. PATENT DOCUMENTS

D. 192,878	5/1962	Miuller	D26/76
D. 300,471	3/1989	Szymanek	D26/76
D. 300,874	4/1989	Szymanek	D26/76
D. 333,530	2/1993	Boundy	D26/76 X
D. 404,161	1/1999	Herst et al.	D26/76
D. 405,908	2/1999	Herst et al.	D26/76

FIG. 1 is a broken bottom perspective view showing my new design;
FIG. 2 is a broken front view thereof, in enlarged scale;
FIG. 3 is a broken bottom view thereof, in enlarged scale;
FIG. 4 is a broken top view thereof, in enlarged scale;
FIG. 5 is a right hand end view thereof, in enlarged scale;
and,
FIG. 6 is a left hand end view thereof, in enlarged scale.
The combined light fixture and lens is broken away to indicate indefinite length.

1 Claim, 4 Drawing Sheets



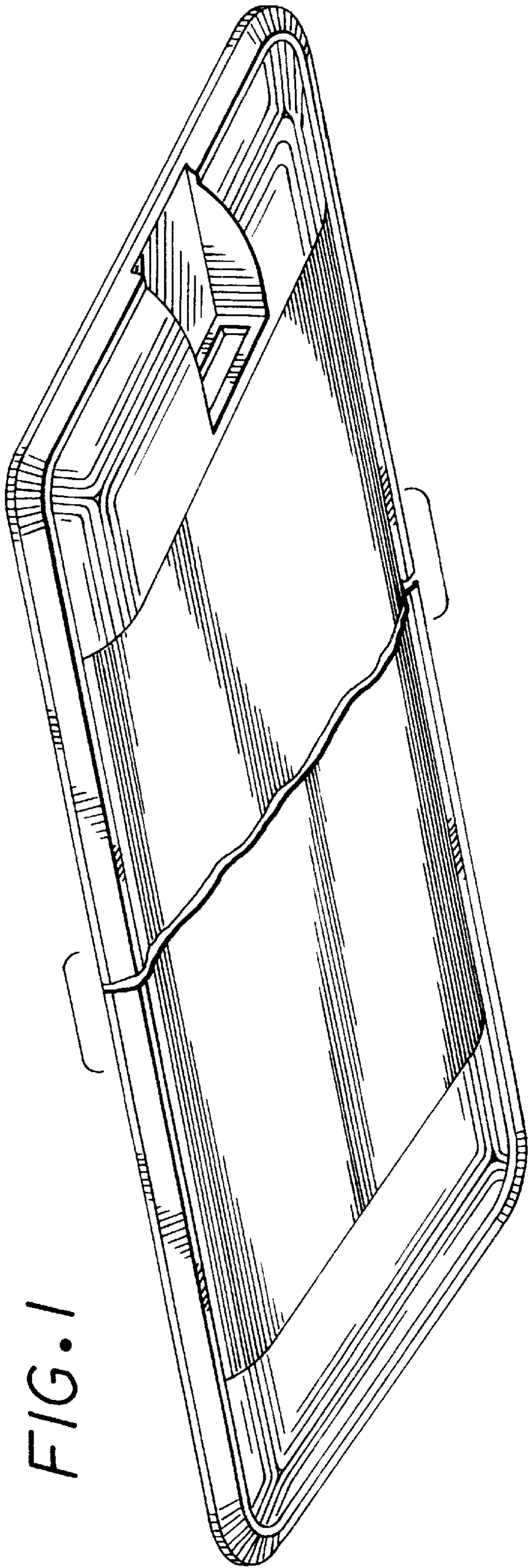


FIG. 1

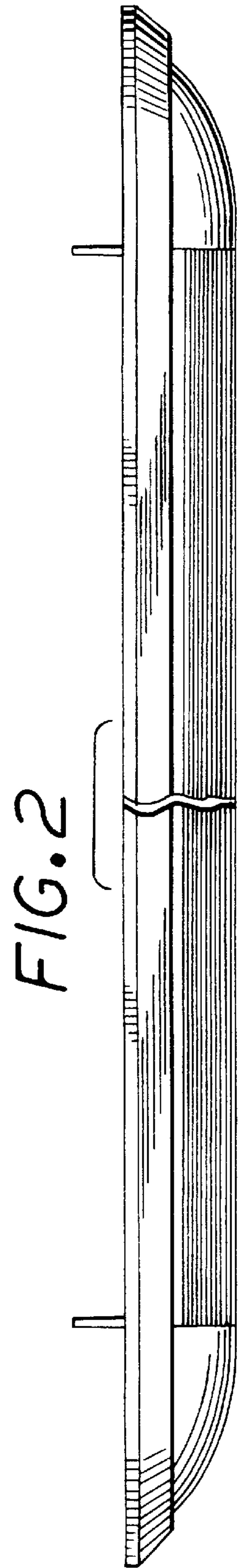


FIG. 2

FIG. 3

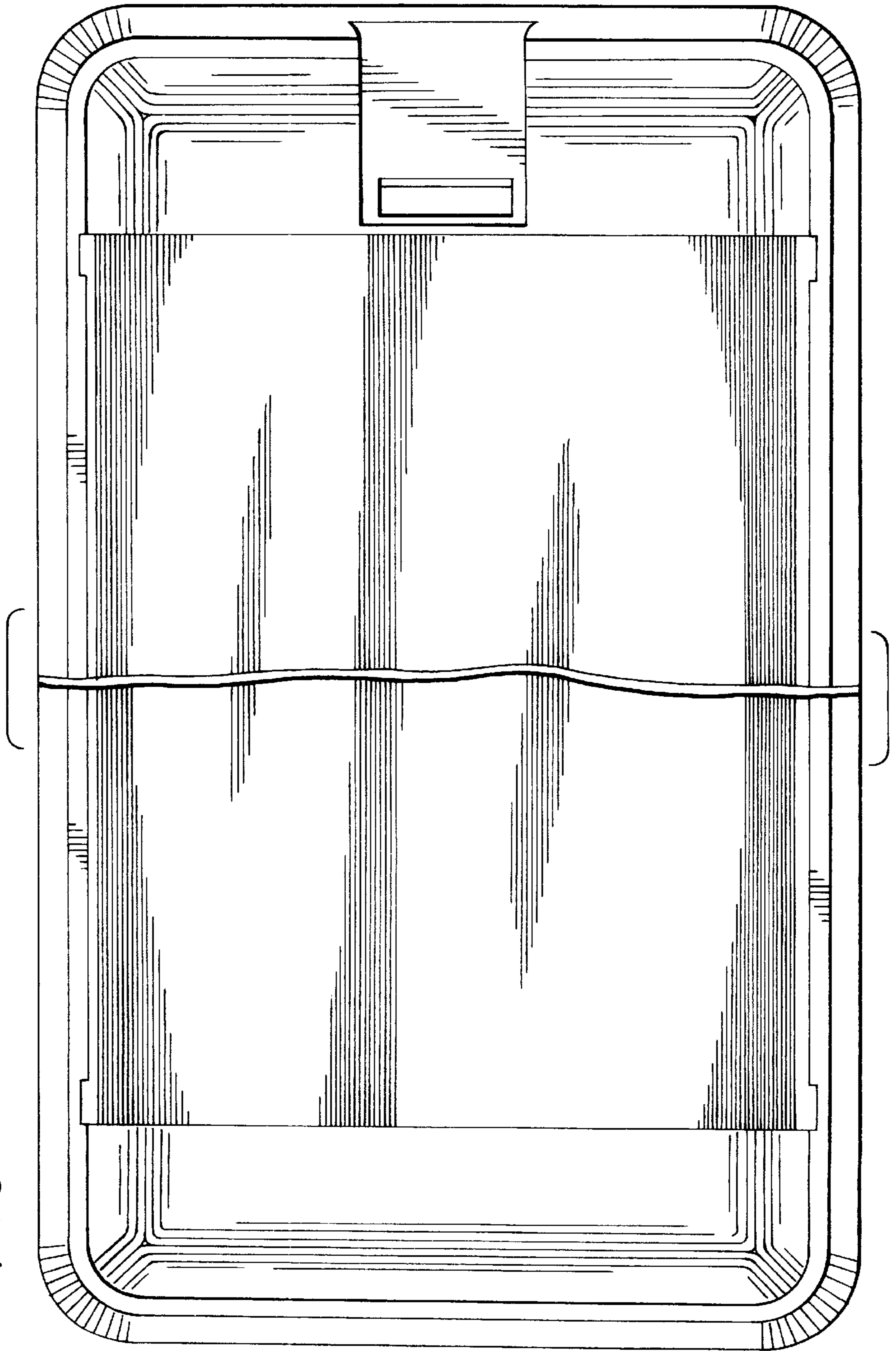


FIG. 4

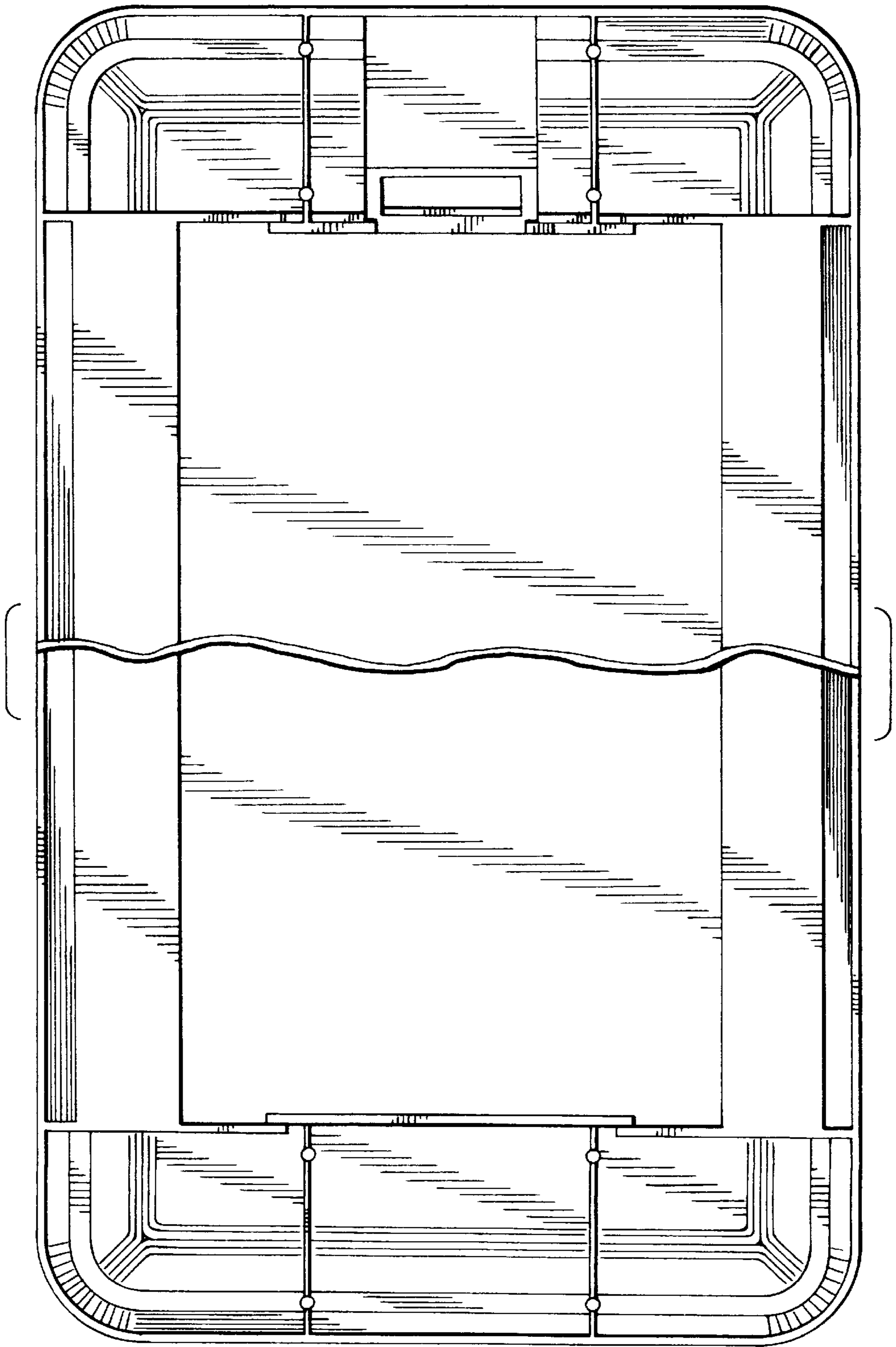


FIG. 5

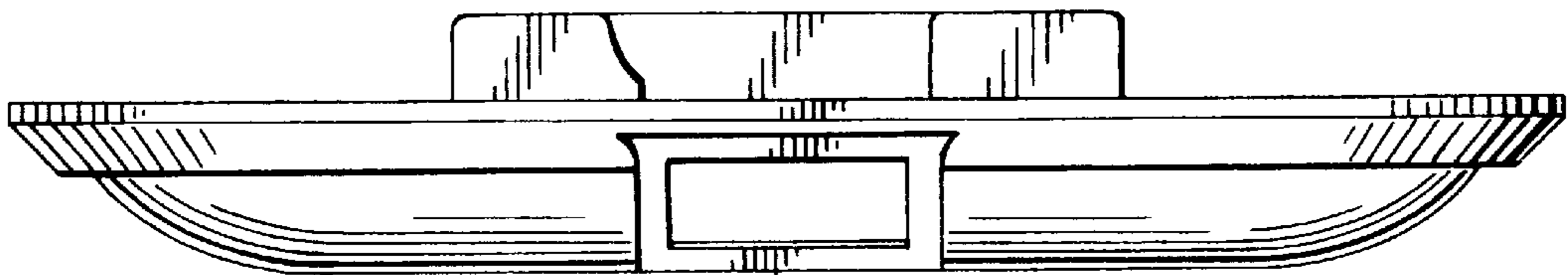


FIG. 6

