



US00D432251S

United States Patent [19]

Habeck et al.

[11] Patent Number: **Des. 432,251**

[45] Date of Patent: **** Oct. 17, 2000**

[54] PICTURE FRAME FOR PICTURE WINDOW

[75] Inventors: **Jerome Carl Habeck**, Holt; **Dennis C. Westphal**, Parma, both of Mich.; **David S. Levine**, King of Prussia; **Stanley Gursky**, Yardley, both of Pa.

[73] Assignee: **CertainTeed Corporation**, Valley Forge, Pa.

[**] Term: **14 Years**

[21] Appl. No.: **29/119,685**

[22] Filed: **Mar. 6, 2000**

[51] LOC (7) Cl. **25-01**

[52] U.S. Cl. **D25/124; D25/125**

[58] Field of Search **52/777, 778, 779, 52/764, 204.5, 204.55, 656.4, 656.5, 656.6, 656.7; D25/124, 60, 125, 52; 49/504, DIG. 2**

[56] **References Cited**

U.S. PATENT DOCUMENTS

D. 369,419	4/1996	Franson	D25/125
D. 377,533	1/1997	Dallaire et al.	D25/124
4,944,118	7/1990	Biro	49/504

Primary Examiner—Doris Clark
Attorney, Agent, or Firm—Duane Morris & Heckscher, LLP

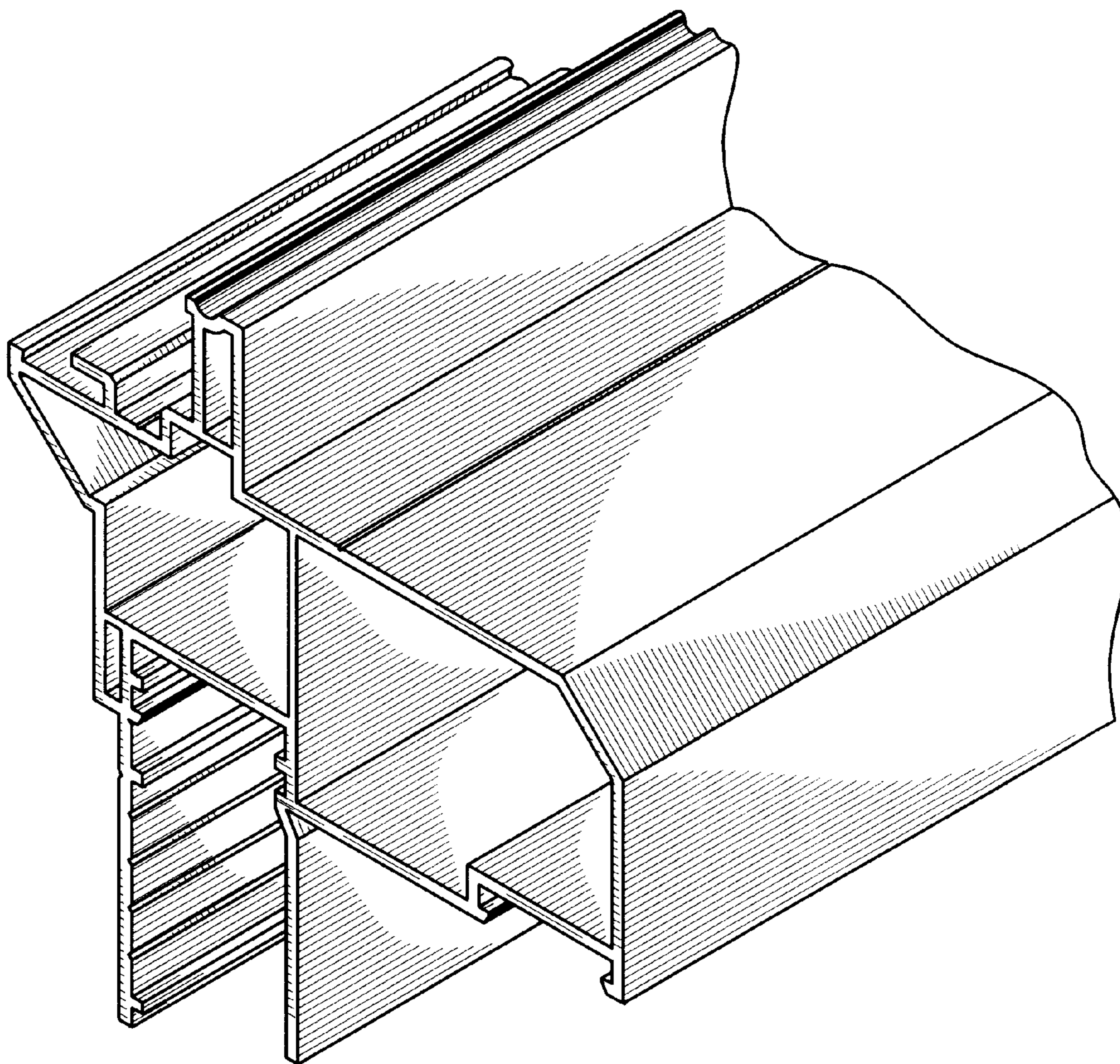
[57] **CLAIM**

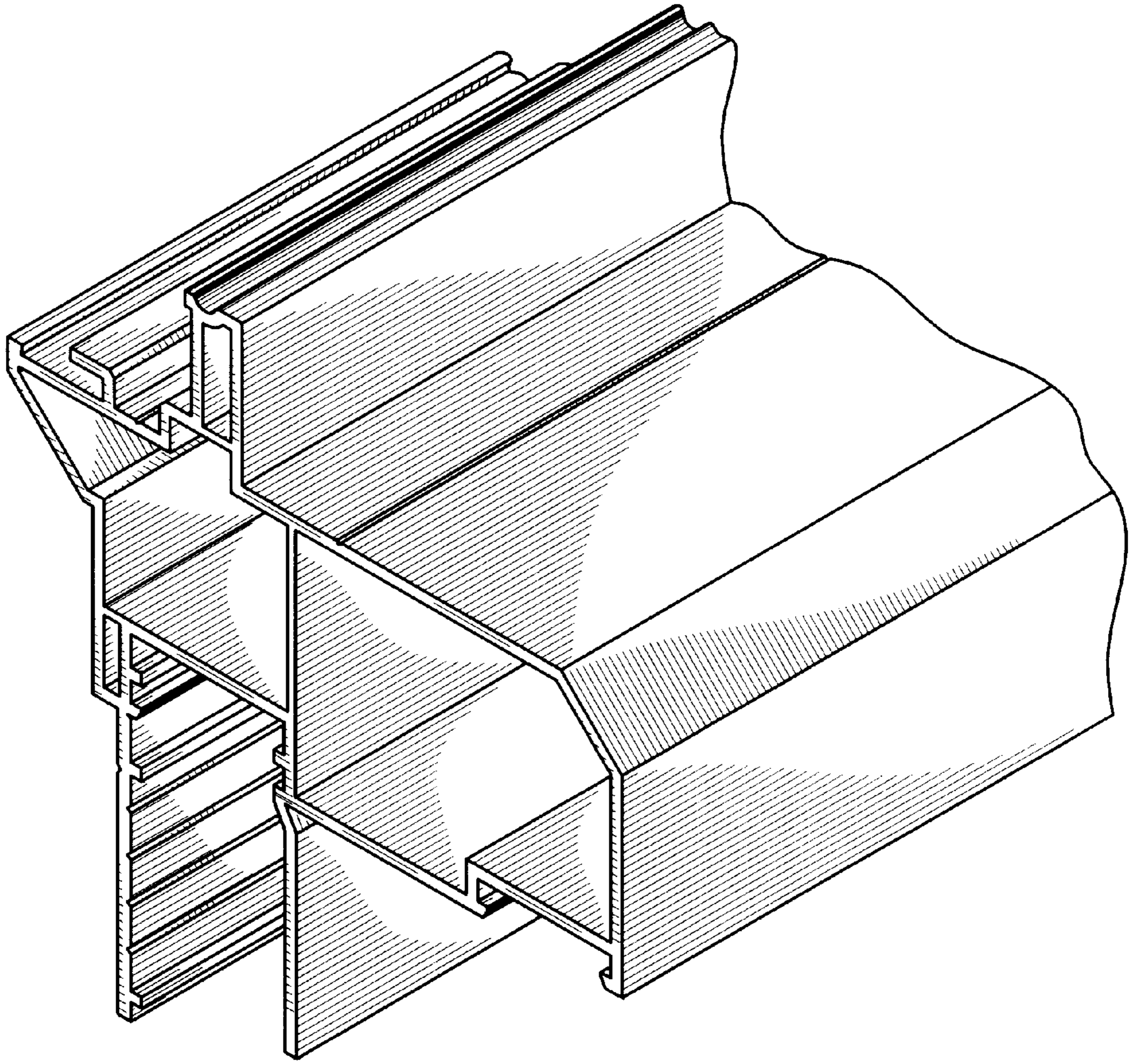
The ornamental design for a picture frame for picture window, as shown and described.

DESCRIPTION

The FIGURE is a front perspective view of a picture frame for picture window, showing our new design, the rear perspective view being a mirror image thereof, and is shown fragmented indicating indefinite length.

1 Claim, 1 Drawing Sheet





THE FIGURE