



US00D432250S

# United States Patent [19]

Habeck et al.

[11] Patent Number: **Des. 432,250**

[45] Date of Patent: **\*\* Oct. 17, 2000**

[54] **FLUSH FIN FOR DOUBLE AND SINGLE HUNG WINDOW**

[75] Inventors: **Jerome Carl Habeck**, Holt; **Dennis C. Westphal**, Parma, both of Mich.; **David S. Levine**, King of Prussia; **Stanley Gursky**, Yardley, both of Pa.

[73] Assignee: **CertainTeed Corporation**, Valley Forge, Pa.

[\*\*] Term: **14 Years**

[21] Appl. No.: **29/119,355**

[22] Filed: **Feb. 28, 2000**

[51] **LOC (7) Cl.** ..... **25-01**

[52] **U.S. Cl.** ..... **D25/124; D25/125**

[58] **Field of Search** ..... D25/60, 124, 125, D25/52; 52/204.5, 730.3, 730.4, 730.5; 49/404, 304, 410, 411, 412, 413, 414, 504, 505, DIG. 2, 419, 423

[56] **References Cited**

**U.S. PATENT DOCUMENTS**

D. 380,561	7/1997	Colitto .....	D25/124
D. 391,649	3/1998	Opielski et al. ....	D25/124
D. 402,058	12/1998	Leonelli .....	D25/124
4,048,774	9/1977	Yamamoto .....	49/404
4,503,641	3/1985	Swan .....	49/404
4,793,114	12/1988	Pacca .....	52/204.5

*Primary Examiner*—Doris Clark

*Attorney, Agent, or Firm*—Duane Morris & Heckscher, LLP

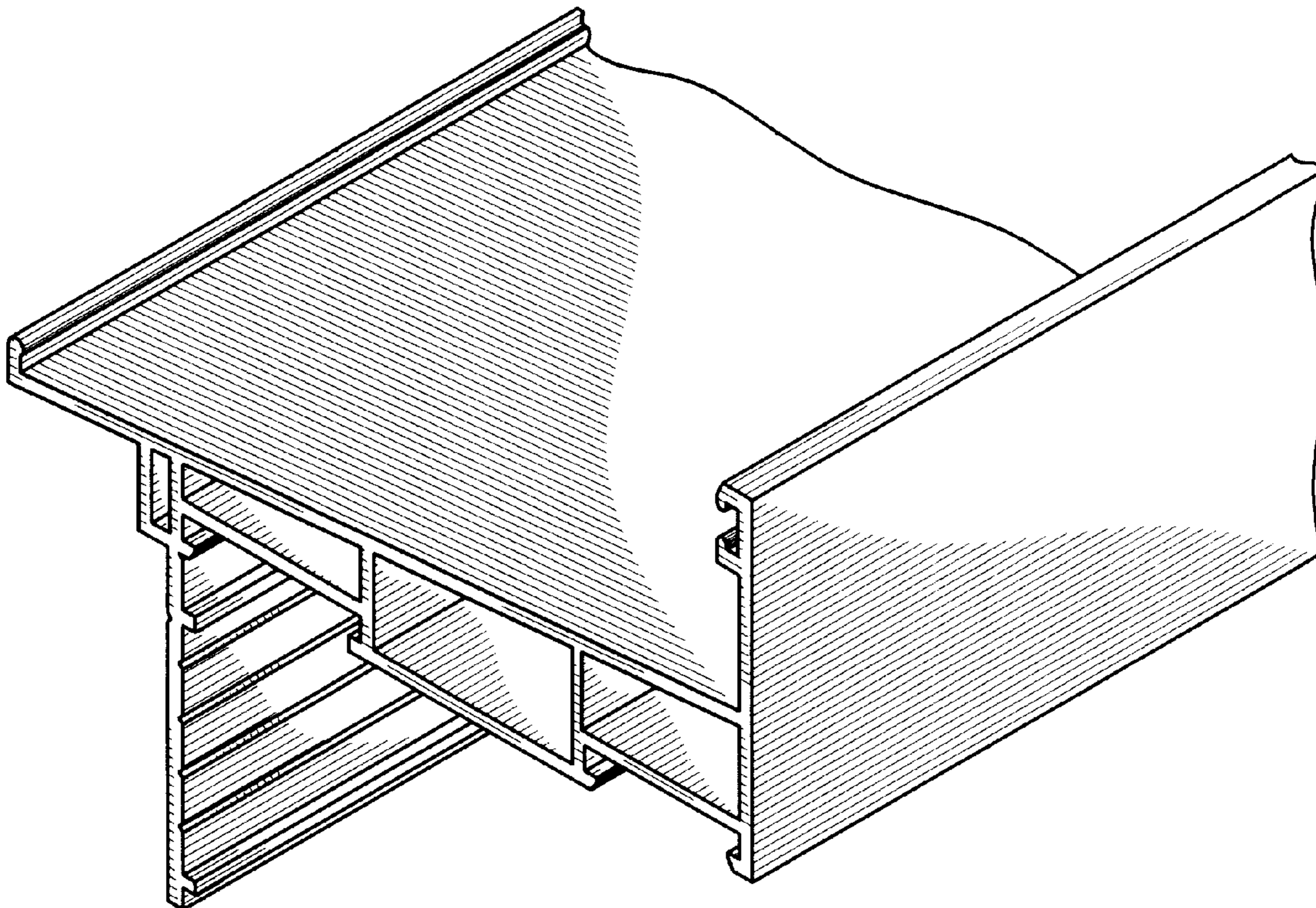
[57] **CLAIM**

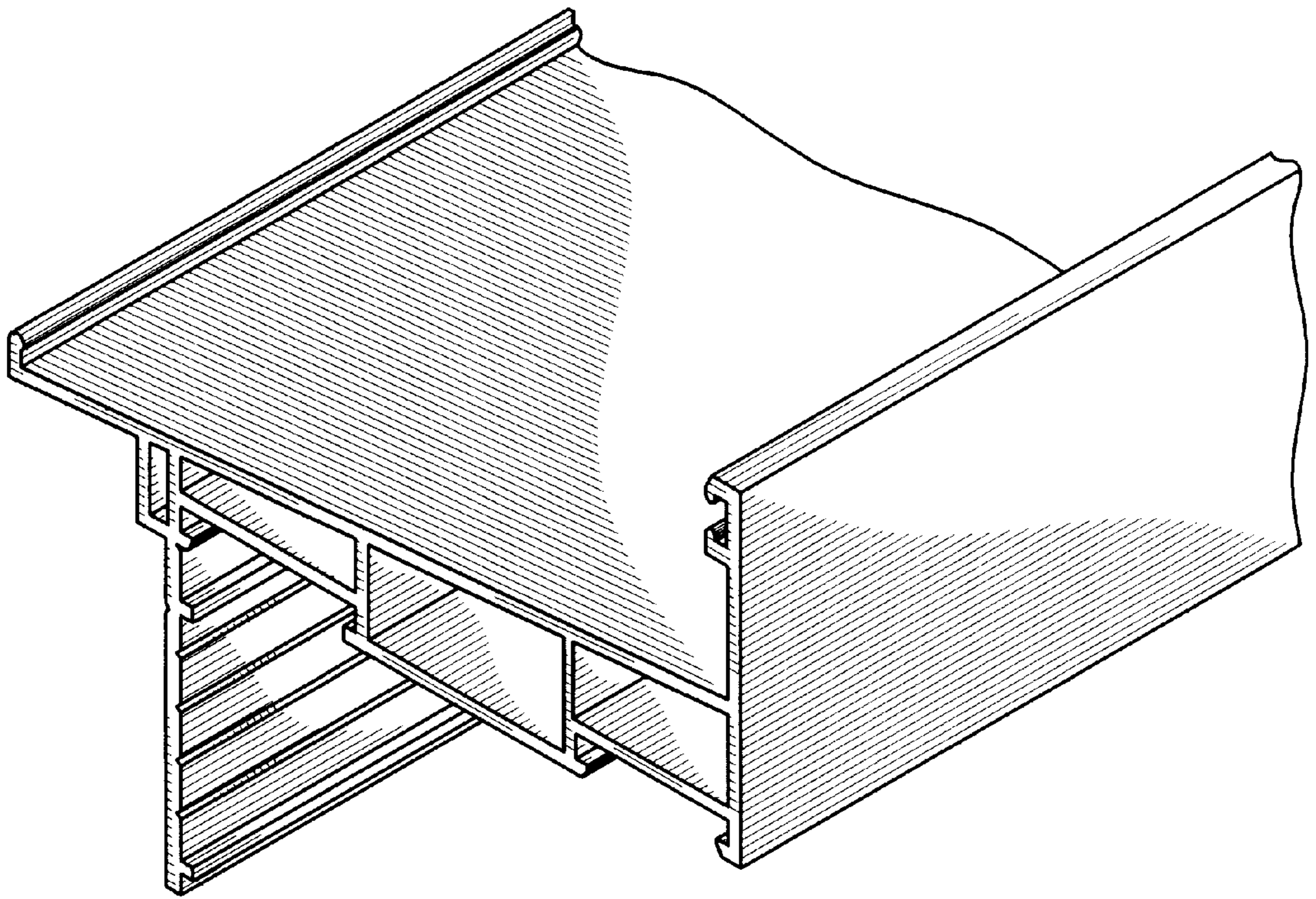
The ornamental design for a flush fit for double and single hung window, as shown and described.

**DESCRIPTION**

The FIGURE is a front perspective view of a flush fin for double and single hung window, showing our new design, the rear perspective view being a mirror image thereof, and is shown fragmented indicating indefinite length.

**1 Claim, 1 Drawing Sheet**





THE FIGURE