



US00D432249S

United States Patent [19]

[11] **Patent Number: Des. 432,249**

Habeck et al.

[45] **Date of Patent: ** Oct. 17, 2000**

[54] **REPLACEMENT GLIDER FRAME FOR SINGLE GLIDER WINDOW**

[75] Inventors: **Jerome Carl Habeck**, Holt; **Dennis C. Westphal**, Parma, both of Mich.; **David S. Levine**, King of Prussia; **Stanley Gursky**, Yardley, both of Pa.

[73] Assignee: **CertainTeed Corporation**, Valley Forge, Pa.

[**] Term: **14 Years**

[21] Appl. No.: **29/118,686**

[22] Filed: **Feb. 14, 2000**

[51] **LOC (7) Cl.** **25-01**

[52] **U.S. Cl.** **D25/124**

[58] **Field of Search** D25/60, 52, 124, D25/125; 49/504, 446, 454, 453, 455, 181, 489, 485

[56] **References Cited**

U.S. PATENT DOCUMENTS

D. 407,506 3/1999 Hersh et al. D25/124
D. 411,627 6/1999 Oliver D25/124
4,028,849 6/1977 Anderson 49/181

Primary Examiner—Doris Clark
Attorney, Agent, or Firm—Duane Morris & Heckscher, LLP

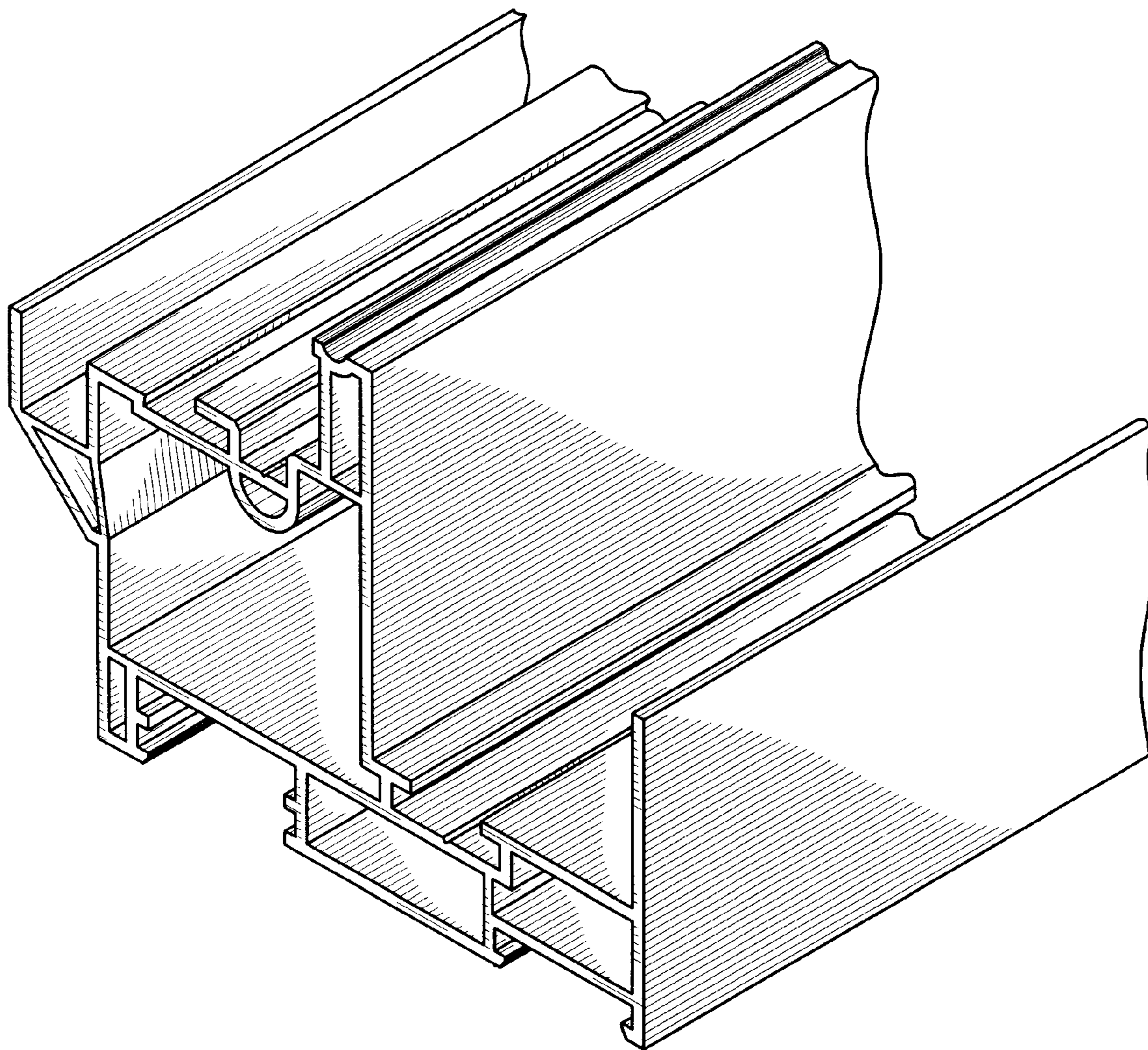
[57] **CLAIM**

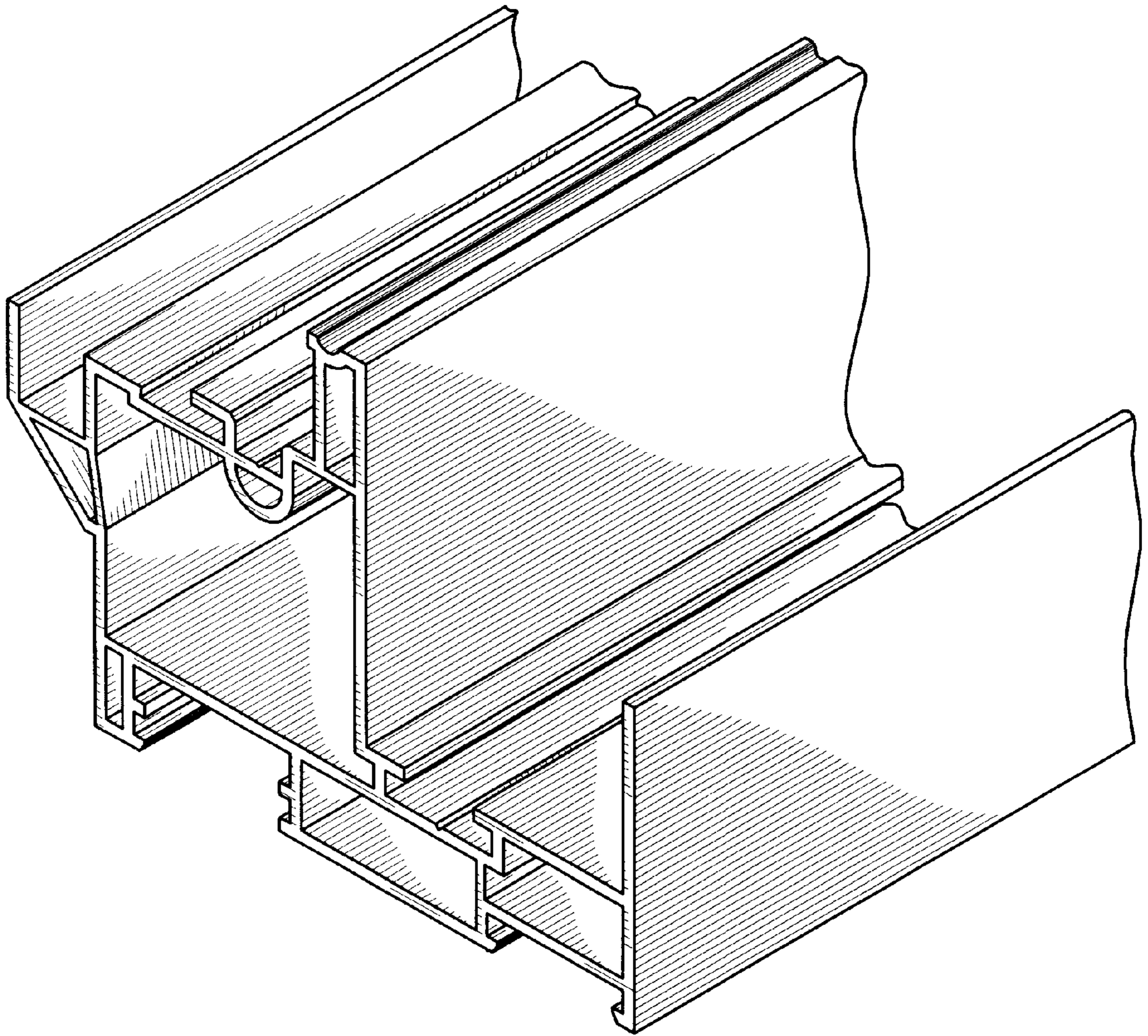
The ornamental design for a replacement glider frame for single glider window, as shown and described.

DESCRIPTION

The FIGURE is a front perspective view of a replacement glider frame for single glider window, showing our new design, the rear perspective view being a mirror image thereof, and is shown fragmented indicating indefinite length.

1 Claim, 1 Drawing Sheet





THE FIGURE