



US00D432246S

United States Patent [19] Pestone

[11] **Patent Number: Des. 432,246**

[45] **Date of Patent: ** Oct. 17, 2000**

[54] **WORK MOVER ROLLER STAND**

[75] Inventor: **William J. Pestone**, Cohasset, Mass.

[73] Assignee: **Lehigh Consumer Products Corporation**, Macungie, Pa.

[**] Term: **14 Years**

[21] Appl. No.: **29/083,473**

[22] Filed: **Feb. 10, 1998**

[51] **LOC (7) Cl.** **25-04**

[52] **U.S. Cl.** **D25/67**

[58] **Field of Search** D6/400, 429; D8/71;
144/287; 182/181.1, 182.1, 182.2, 182.5;
248/158, 161, 163.1, 188, 188.4, 188.5,
413, 431, 432; 269/289 MR; D25/62, 67

[56] **References Cited**

U.S. PATENT DOCUMENTS

D. 325,679 4/1992 O'Mealy et al. D6/429

D. 361,390 8/1995 Sheftel D25/67
D. 362,608 9/1995 Hewitt D8/71
4,492,354 1/1985 Rice 248/163.1
5,435,411 7/1995 Borgatti 182/181.1

Primary Examiner—Alan P. Douglas
Assistant Examiner—Lavone D. Tabor
Attorney, Agent, or Firm—Samuels, Gauthier & Stevens

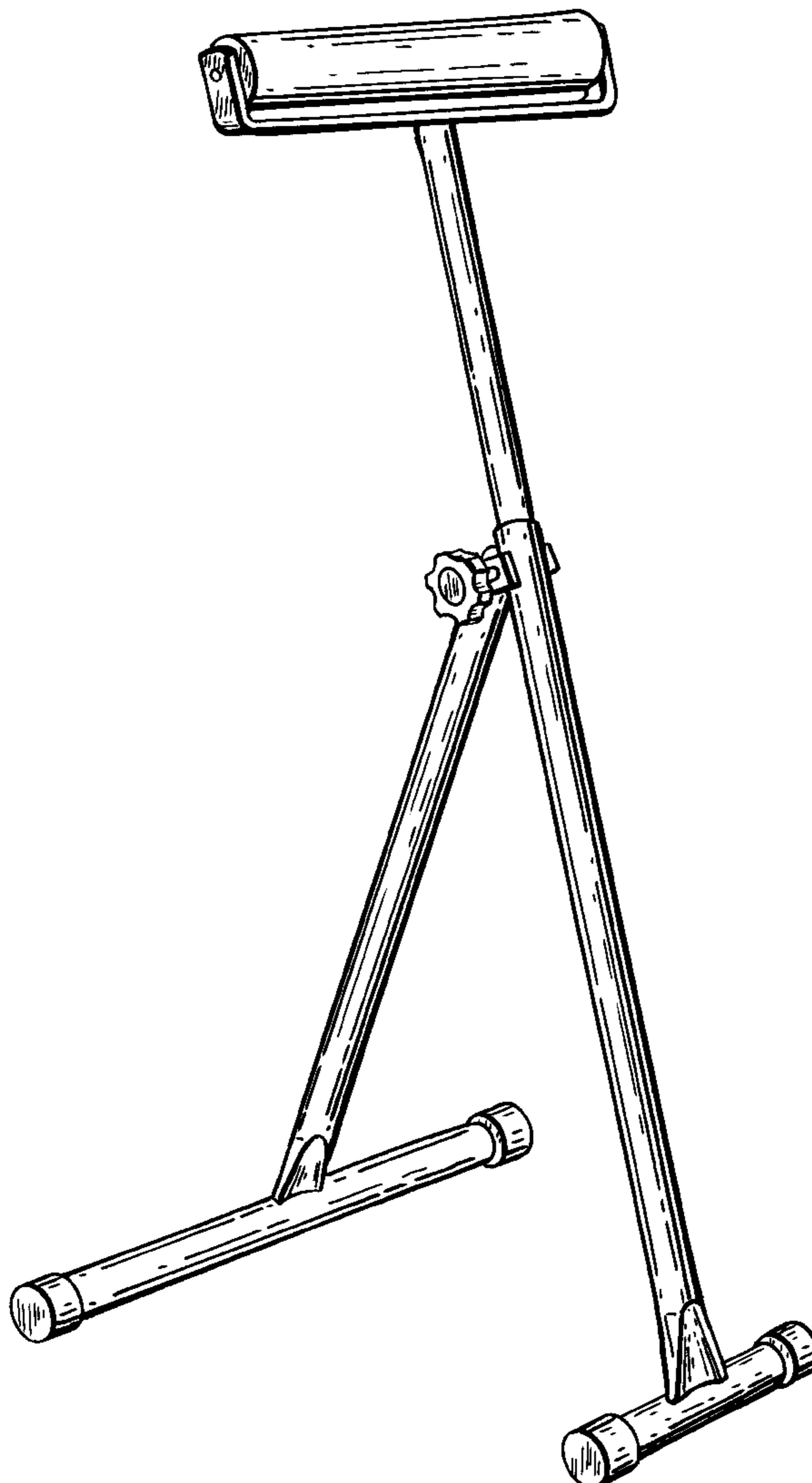
[57] CLAIM

I claim the ornamental design for work mover roller stand, as shown and described.

DESCRIPTION

FIG. 1 is a perspective view of a work mover roller stand; FIG. 2 is a left side view; FIG. 3 is a back view; FIG. 4 is a front view; FIG. 5 is a right side view; FIG. 6 is a top view; and, FIG. 7 is a bottom view.

1 Claim, 6 Drawing Sheets



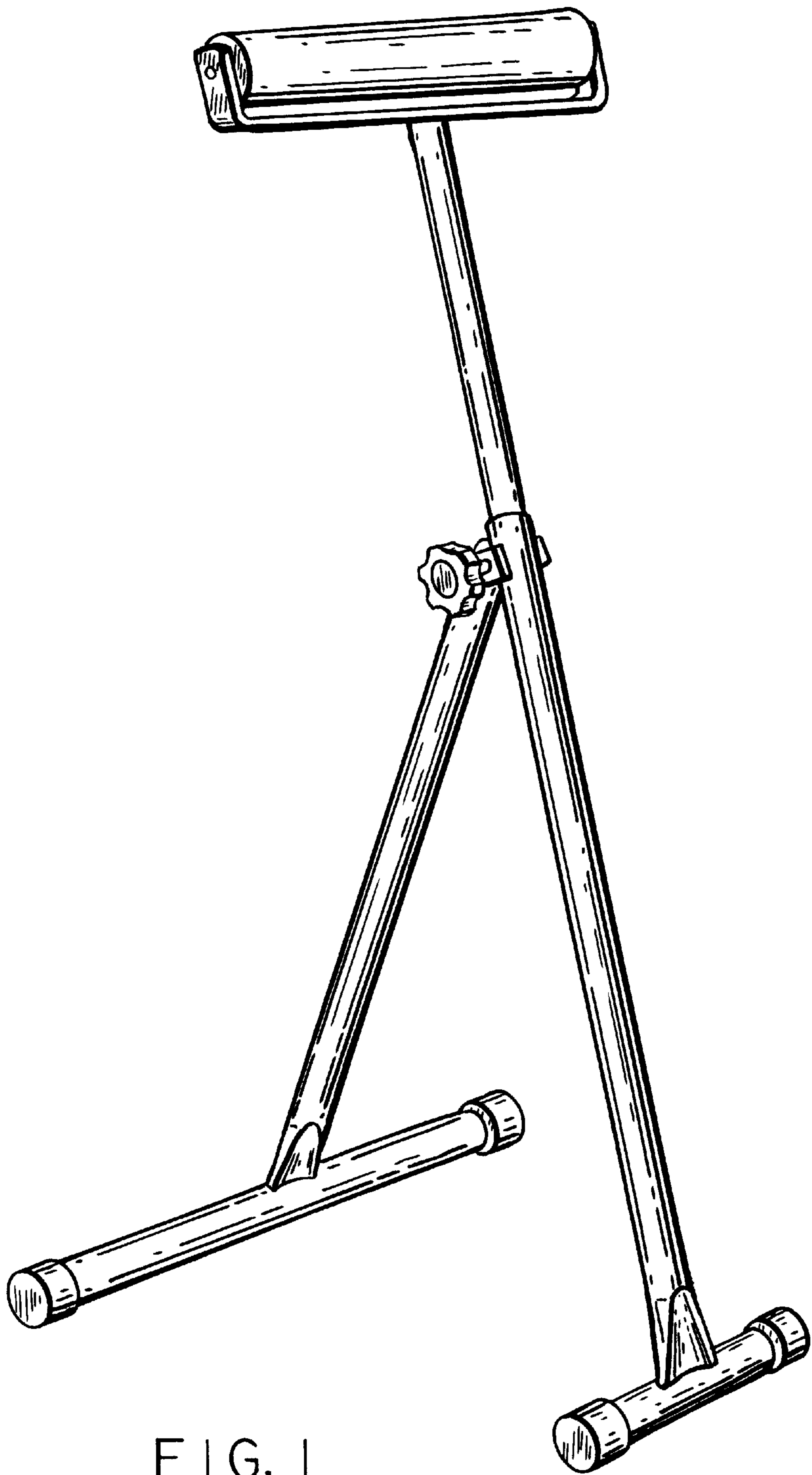


FIG. 1

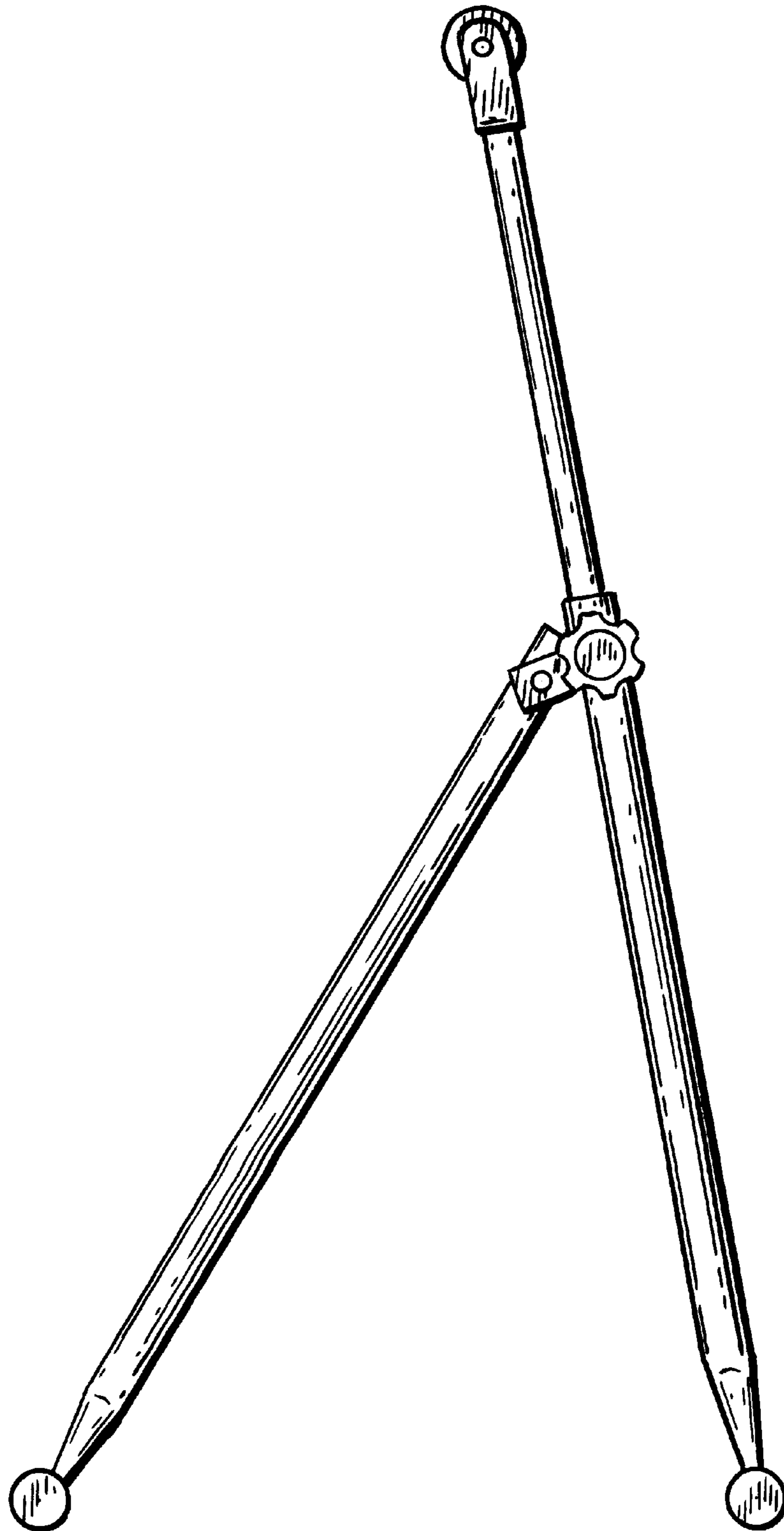


FIG. 2

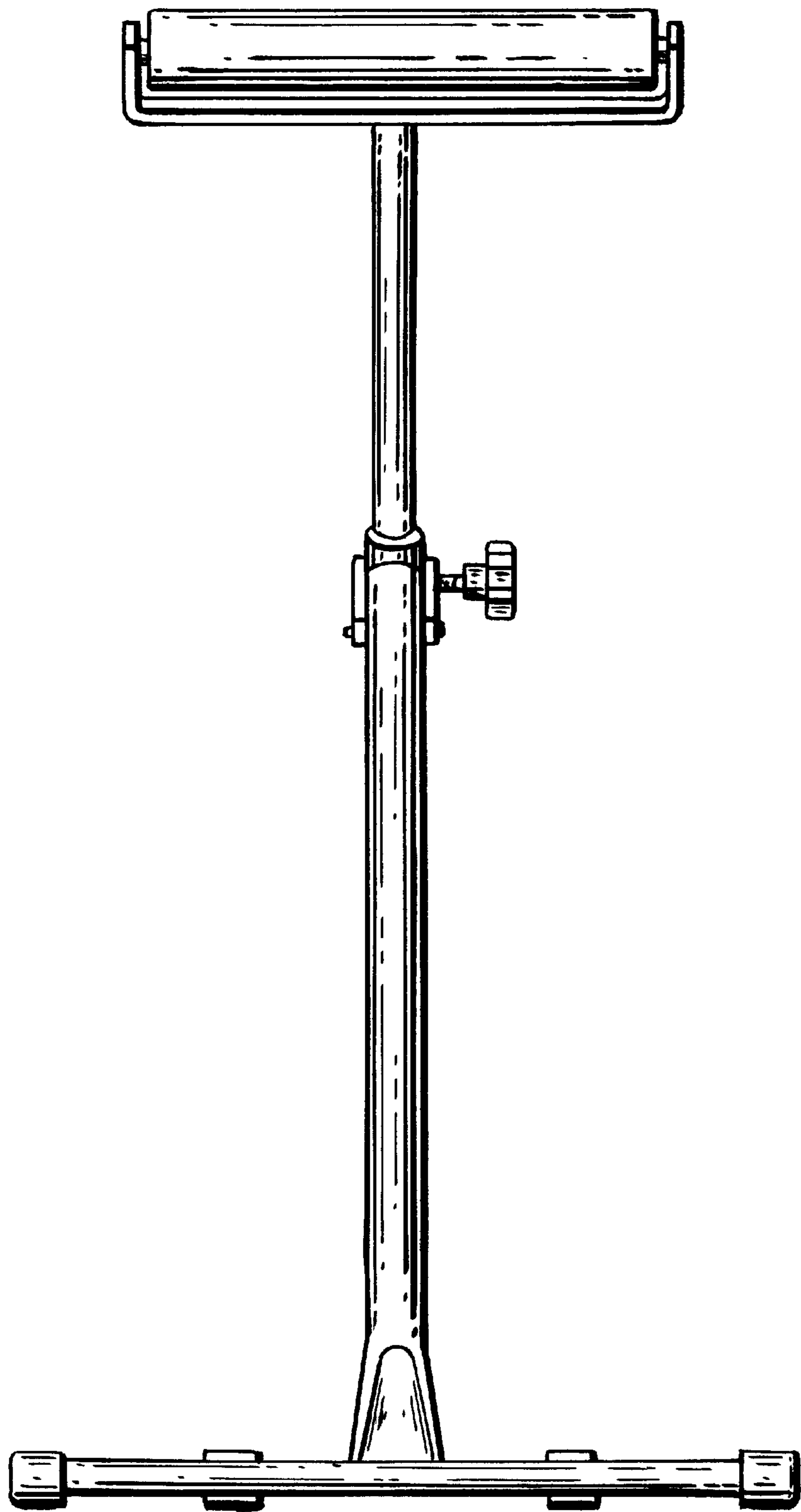


FIG. 3

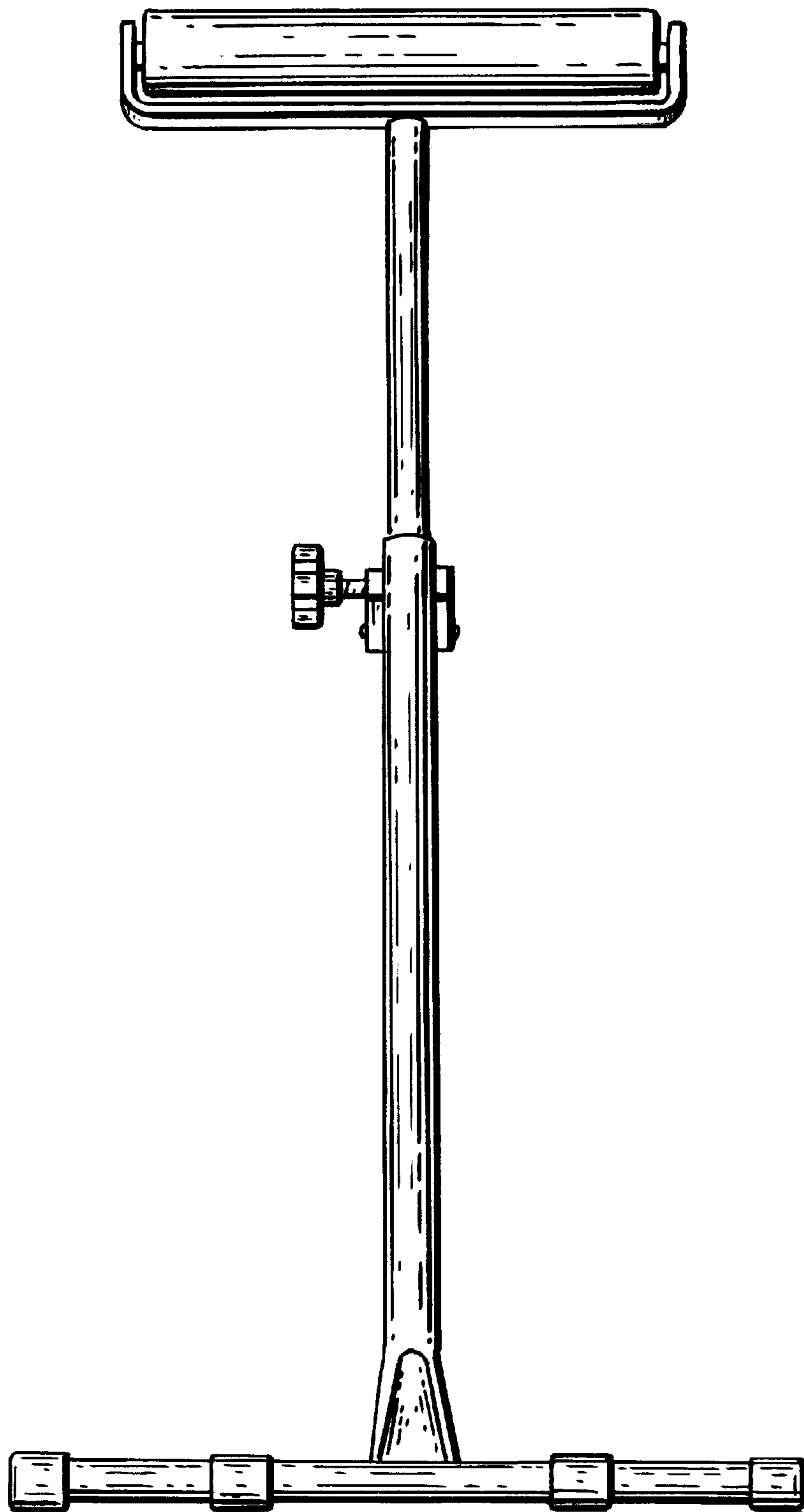


FIG. 4

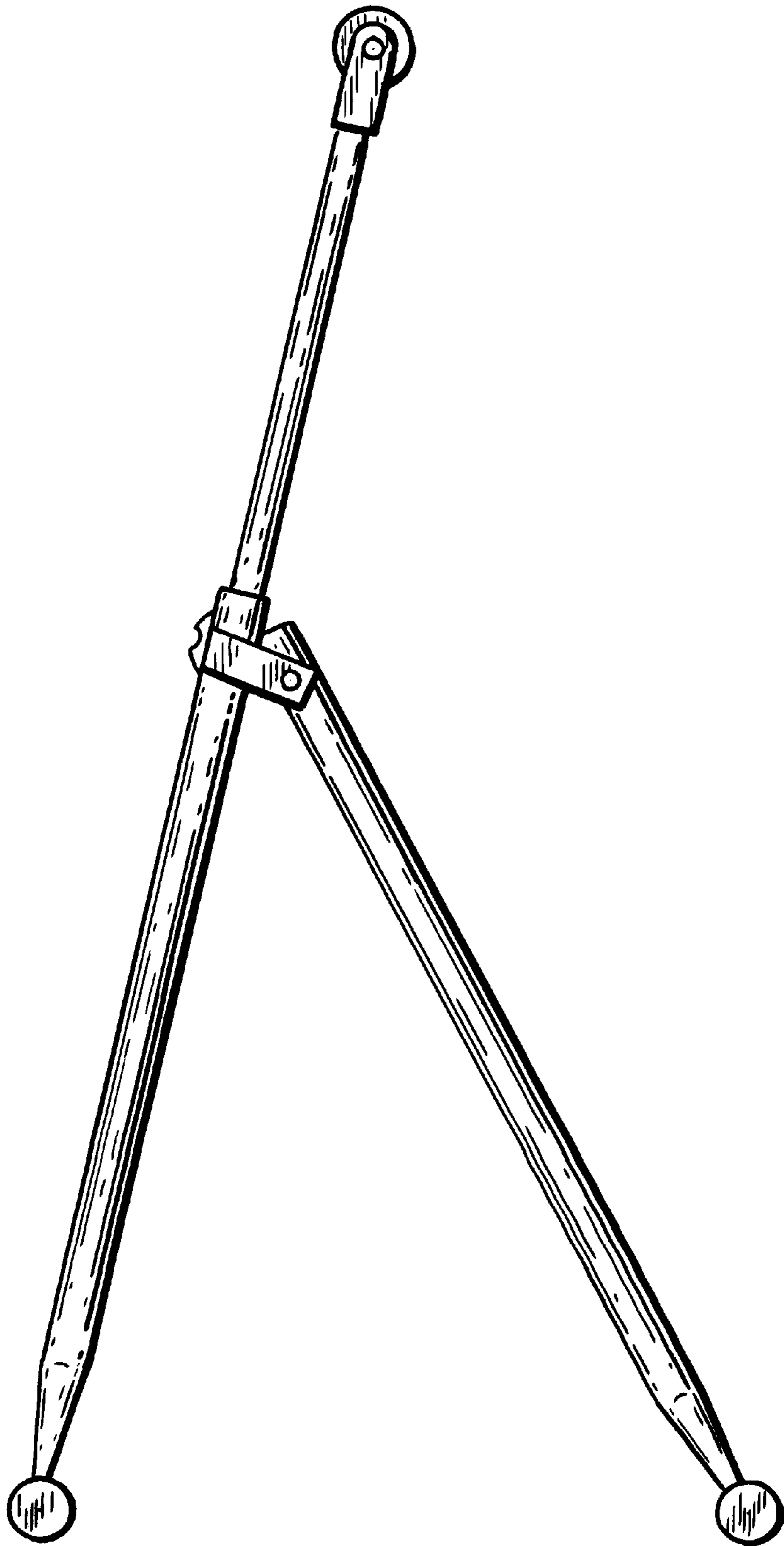


FIG. 5

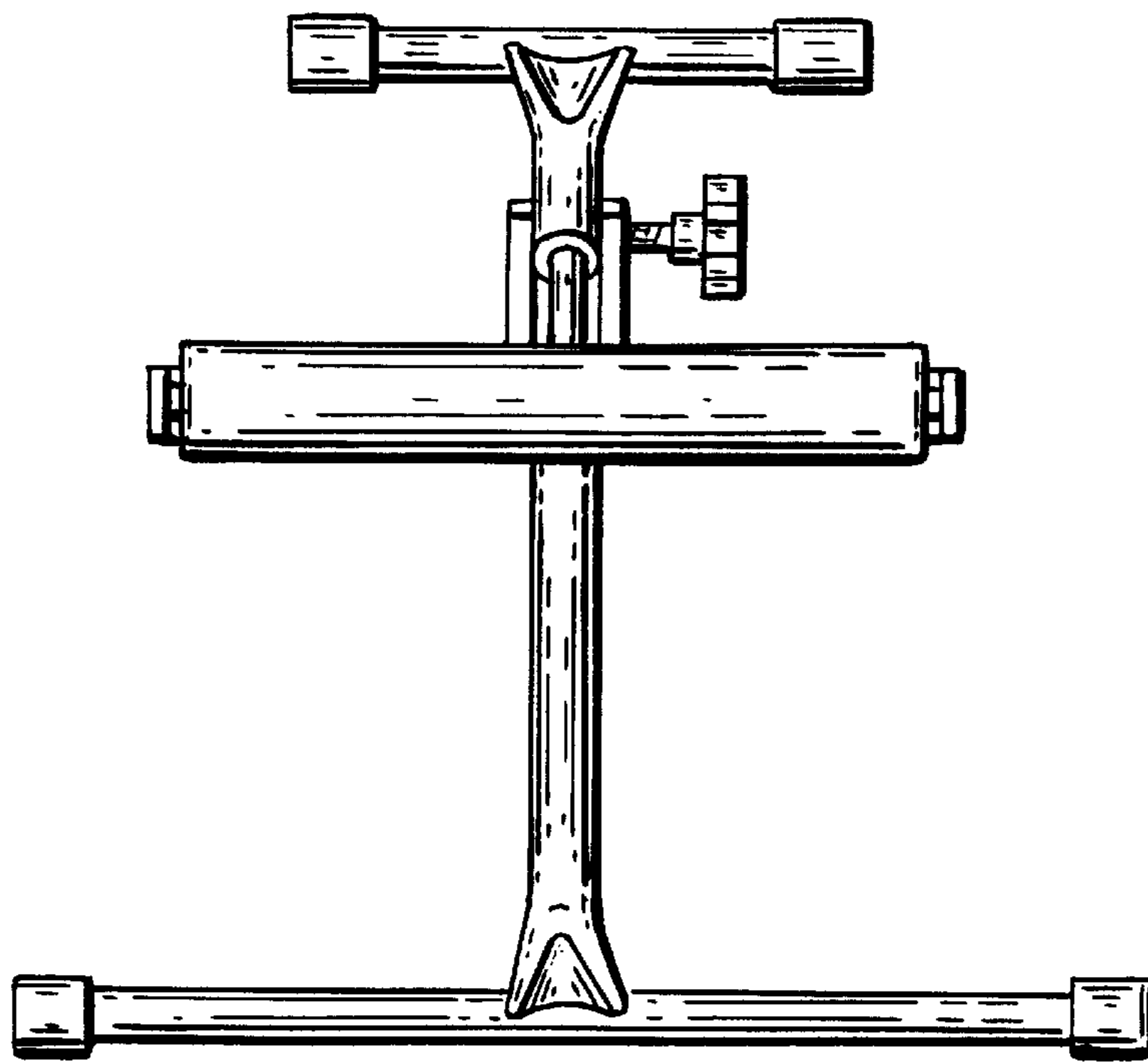


FIG. 6

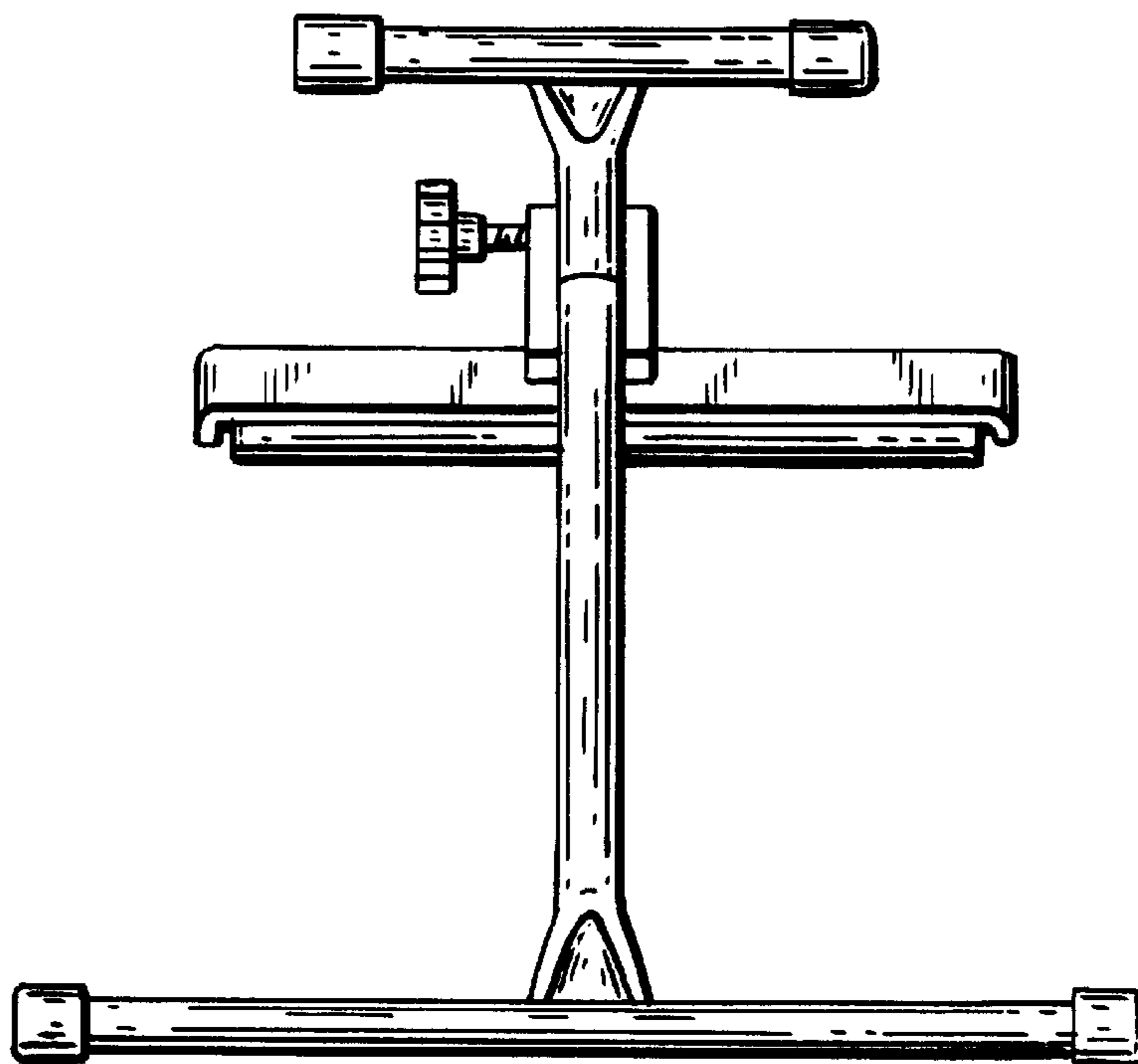


FIG. 7